



US00D343114S

# United States Patent [19]

[11] Patent Number: **Des. 343,114**

**Deegan**

[45] Date of Patent: **\*\* Jan. 11, 1994**

[54] **BRACE FOR MAINTAINING STORM OR SCREEN DOORS IN THE OPEN POSITION**

4,756,052 7/1988 Diedrich ..... 16/82  
4,815,163 3/1989 Simmons ..... 16/84

[76] Inventor: **John A. Deegan, 22 Riverview, Port Ewen, N.Y. 12466**

*Primary Examiner*—Bernard Ansher  
*Assistant Examiner*—Sandra Morris  
*Attorney, Agent, or Firm*—Abdallah & Muckelroy

[\*\*] Term: **14 Years**

[57] **CLAIM**

[21] Appl. No.: **498,598**

The ornamental design for a brace for maintaining storm or screen doors in the open position, as shown and described.

[22] Filed: **Mar. 26, 1990**

[52] U.S. Cl. .... **D8/402**

[58] Field of Search ..... **D8/400, 402, 499; 16/71, 80, 82, 84, 85, DIG. 9; 10; 292/338**

**DESCRIPTION**

[56] **References Cited**

**U.S. PATENT DOCUMENTS**

D. 319,386 8/1991 Shigehiro ..... D8/402  
4,048,695 9/1977 Juifs et al. .... 16/80  
4,078,779 3/1978 Mölders ..... 292/338  
4,287,639 9/1981 Denton ..... 16/71

FIG. 1 is a perspective view of a brace for maintaining storm or screen doors in the open position, showing my new design;

FIG. 2 is a left side elevational view thereof;

FIG. 3 is a front elevational view thereof;

FIG. 4 is a rear elevational view thereof;

FIG. 5 is a top plan view thereof; and,

FIG. 6 is a bottom plan view thereof.

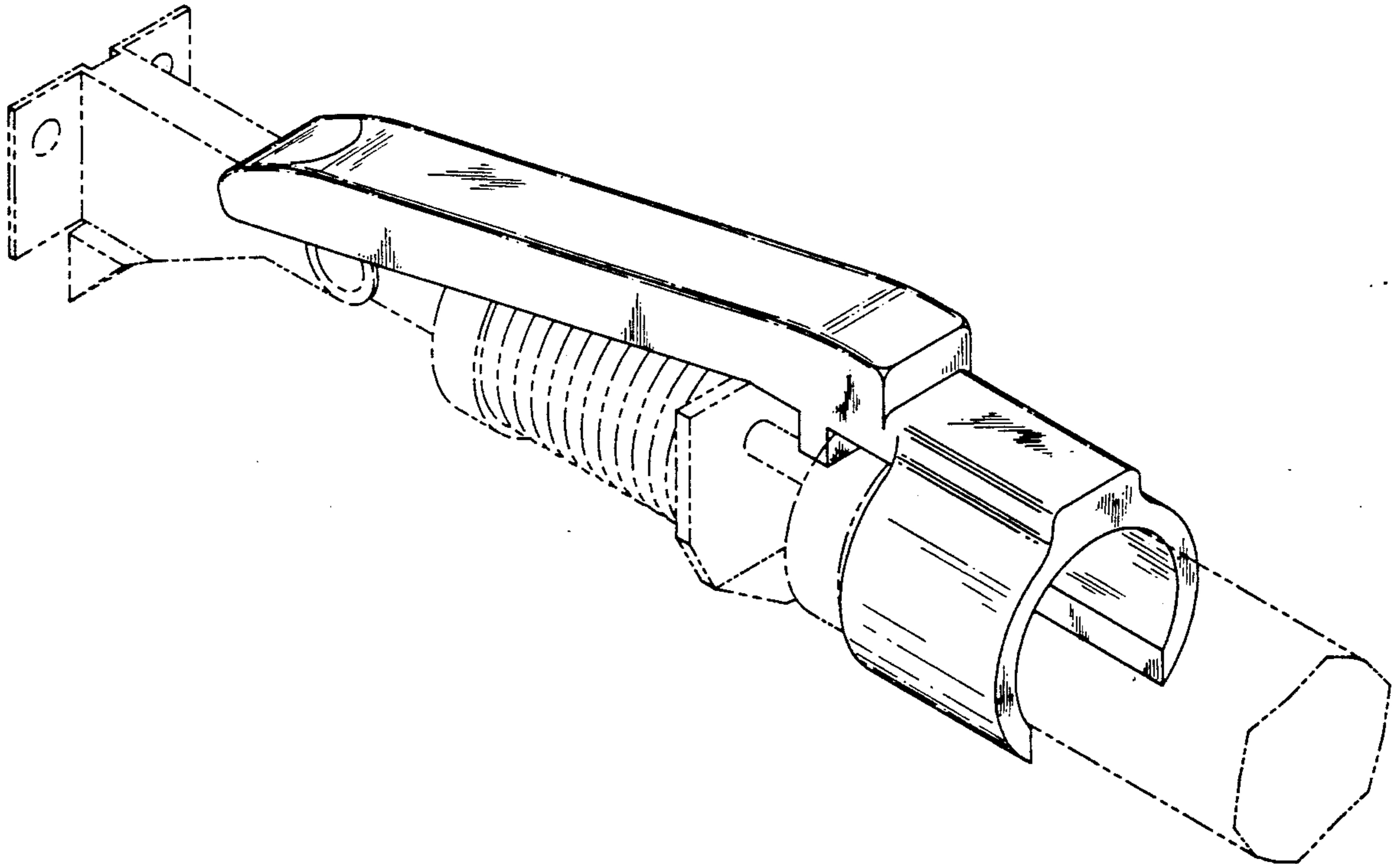


FIG. 1

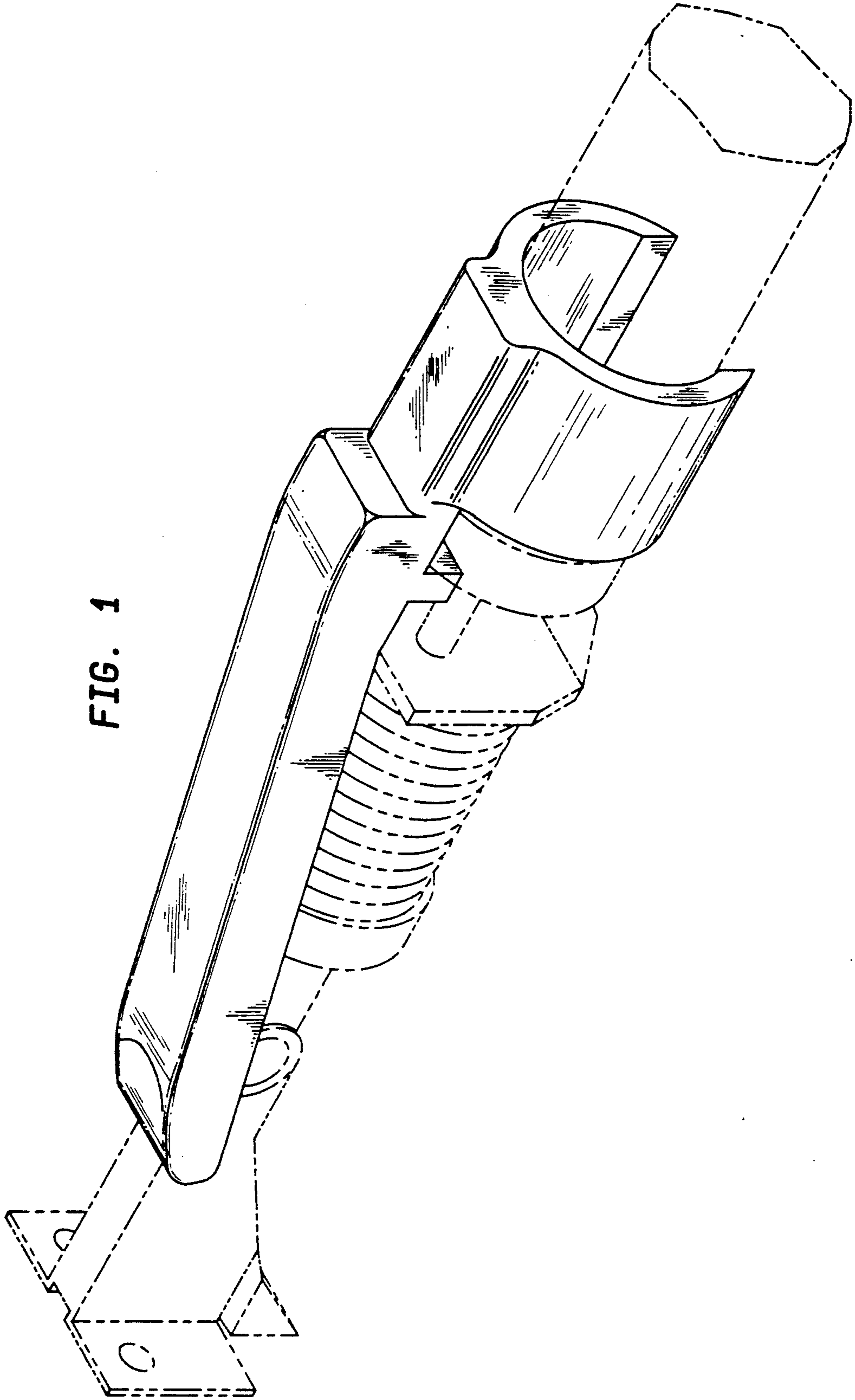


FIG. 2

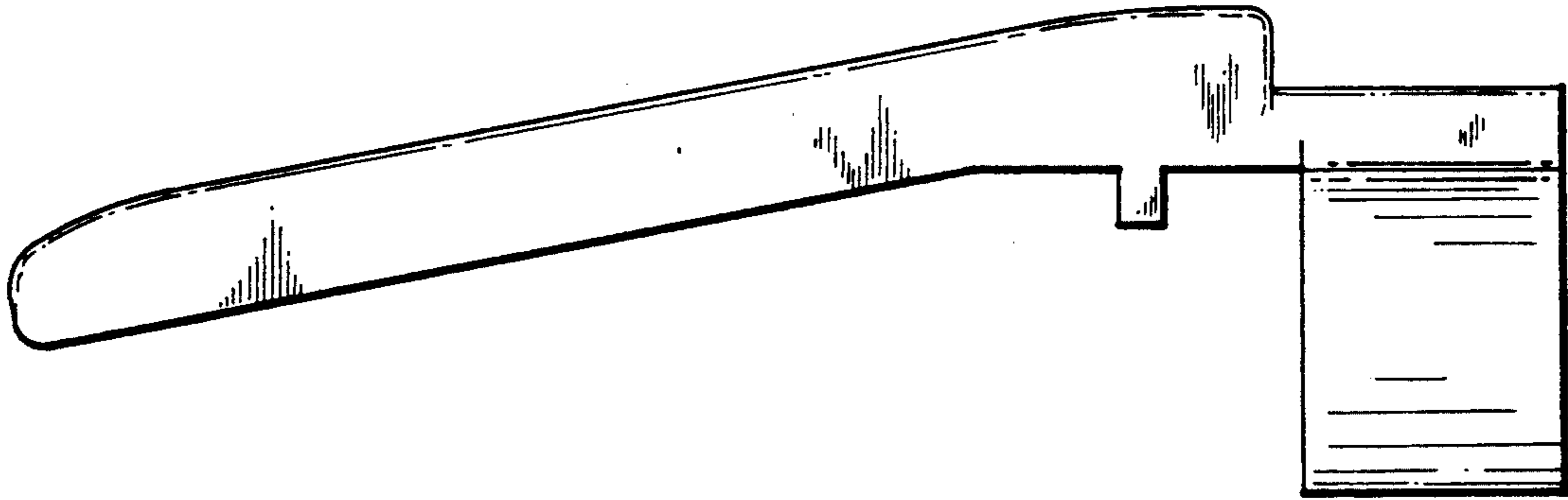


FIG. 3

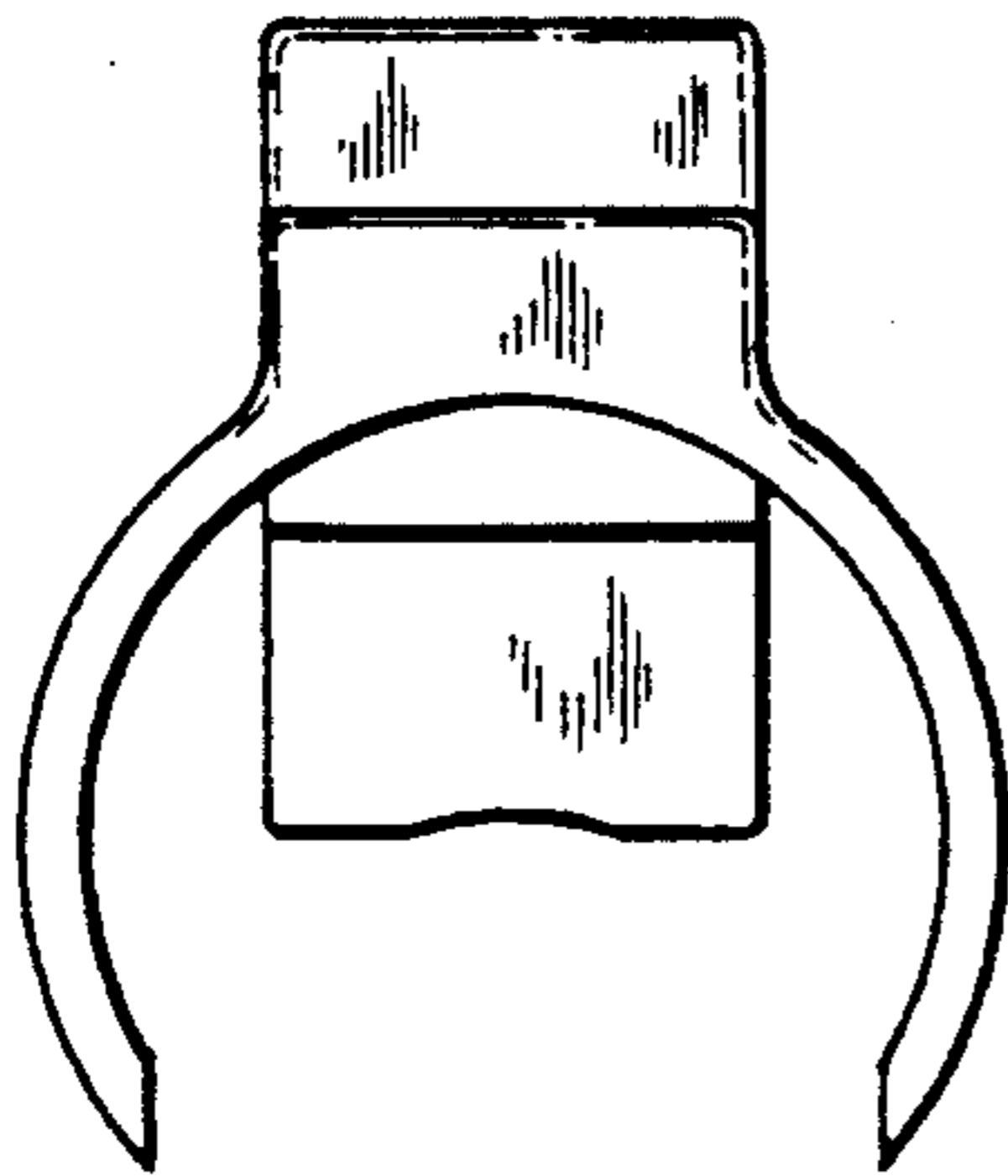


FIG. 4

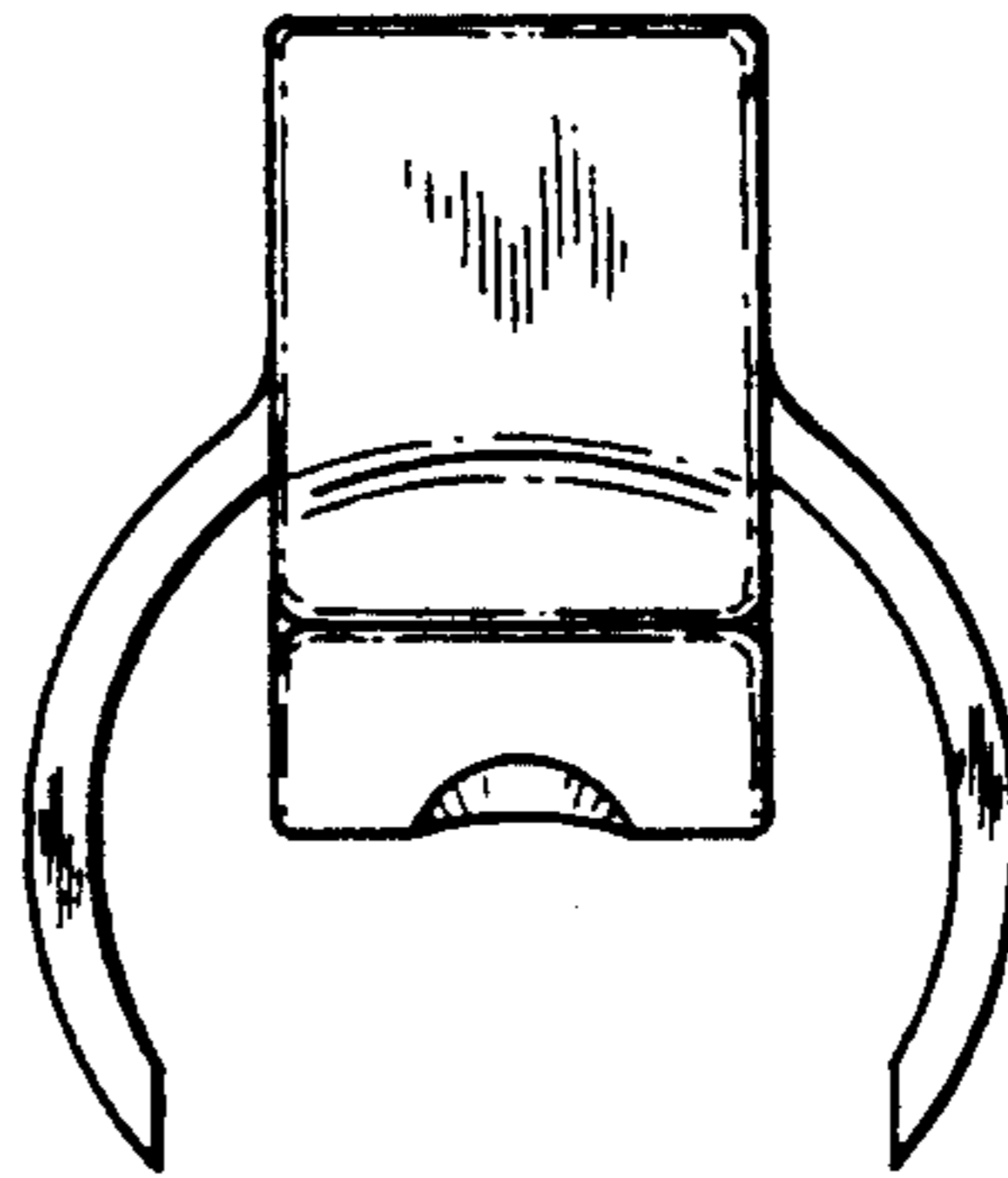


FIG. 5

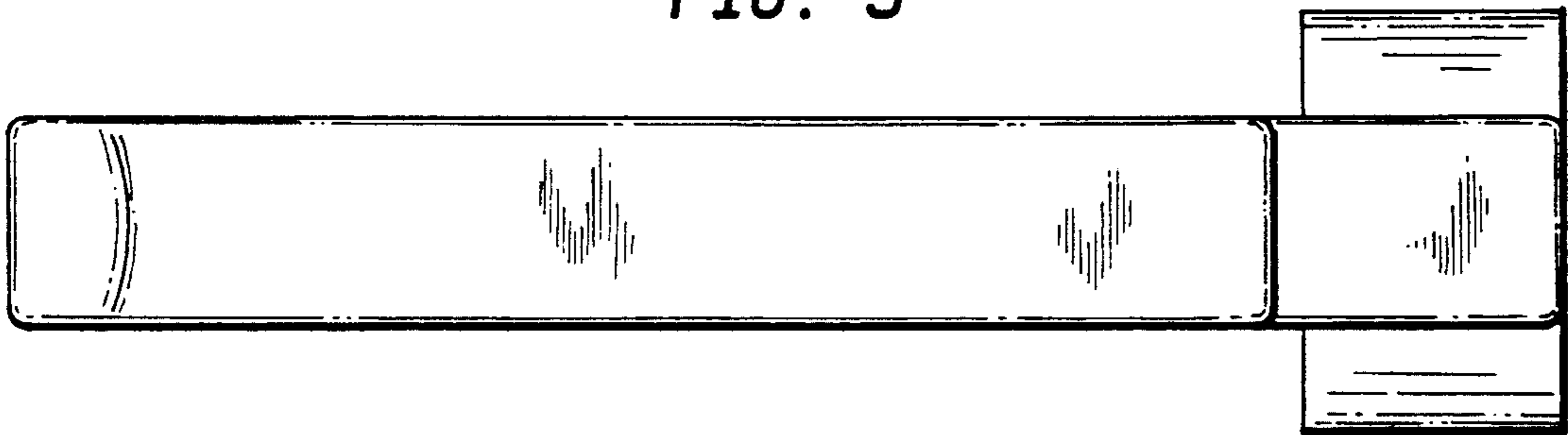


FIG. 6

