



US00D343110S

United States Patent [19]

[11] Patent Number: **Des. 343,110**

Smirne

[45] Date of Patent: **** Jan. 11, 1994**

[54] **WALL MOUNTED CORD HOLDER AND CUTTER**

2,707,595	5/1955	Brown	242/55.2
4,235,389	11/1980	Ness	242/55.2
4,553,711	11/1985	Urion et al.	242/55.3

[75] Inventor: **Frank S. Smirne, Bethlehem, Pa.**

Primary Examiner—Bernard Ansher
Assistant Examiner—P. Hyder
Attorney, Agent, or Firm—William B. Noll

[73] Assignee: **Gudebrod, Inc., Pottstown, Pa.**

[**] Term: **14 Years**

[21] Appl. No.: **930,230**

[57] **CLAIM**

[22] Filed: **Aug. 17, 1992**

The ornamental design for wall mounted cord holder and cutter, as shown and described.

[52] U.S. Cl. **D8/358; D8/373**

[58] Field of Search **D8/358, 367, 373; 242/55.2, 55.3; 248/300, 301, 304, 309.2**

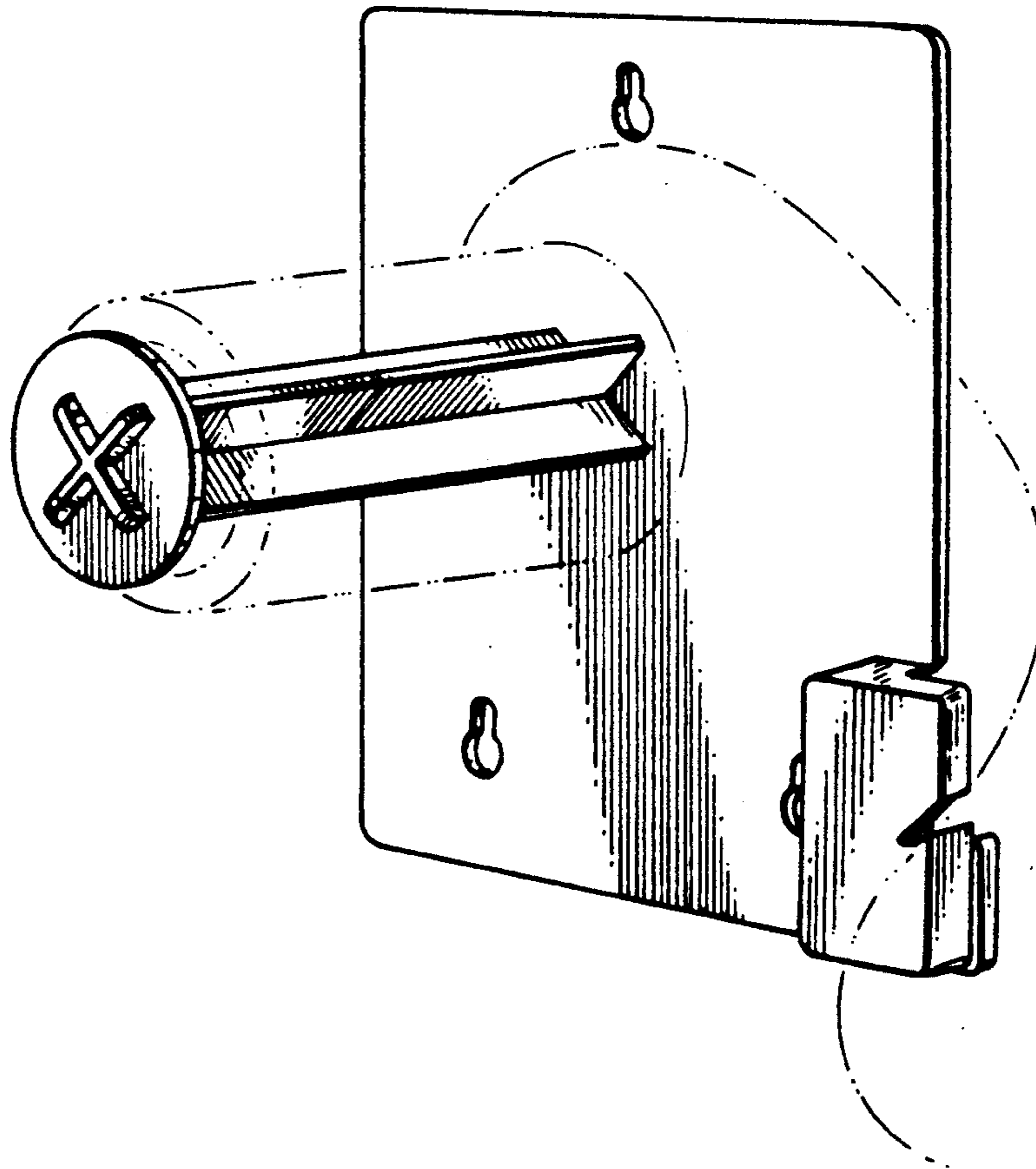
DESCRIPTION

[56] **References Cited**

U.S. PATENT DOCUMENTS

D. 288,775	3/1987	Alshooler	D8/373
D. 306,110	2/1990	Thompson et al.	D8/373
2,472,239	6/1949	Weller	242/55.2
2,477,362	7/1949	Cavalieri	242/55.2

FIG. 1 is a front perspective view of a wall mounted cord holder and cutter, showing my new design; FIG. 2 is a front view thereof; FIG. 3 is a left side view thereof; FIG. 4 is a right side view thereof; FIG. 5 is a top view thereof; FIG. 6 is a bottom view thereof; and, FIG. 7 is a rear view thereof.



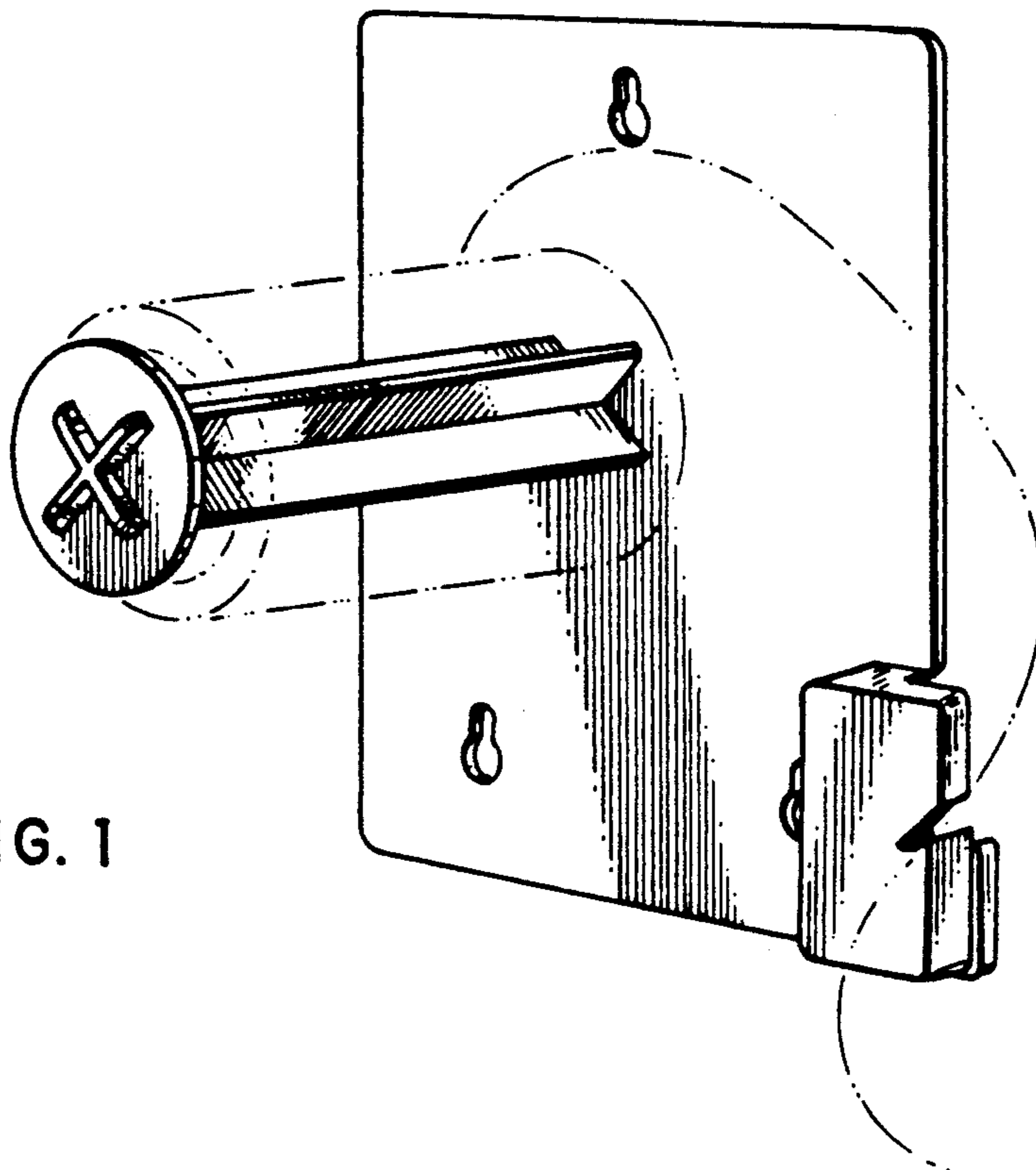


FIG. 1

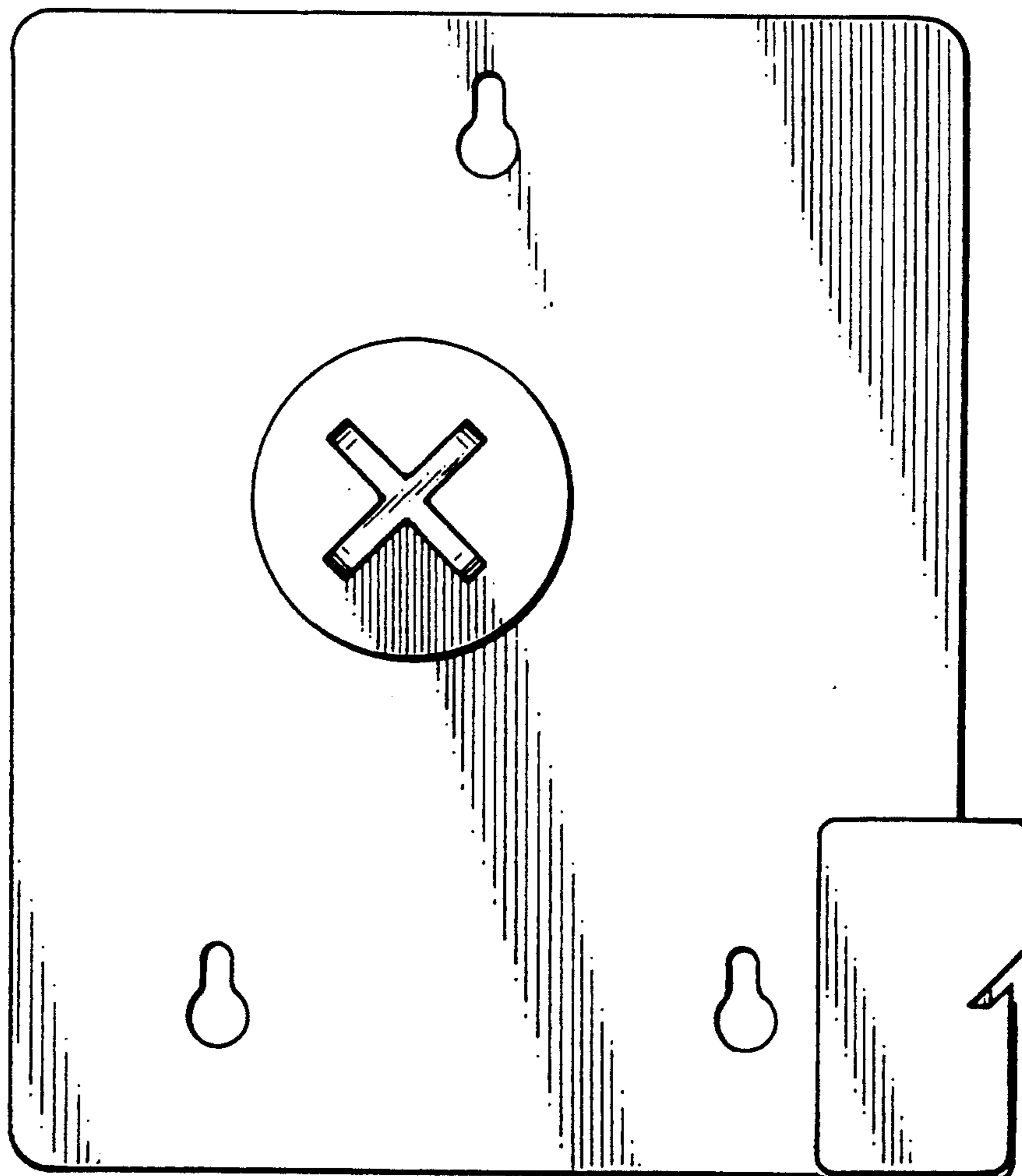


FIG. 2

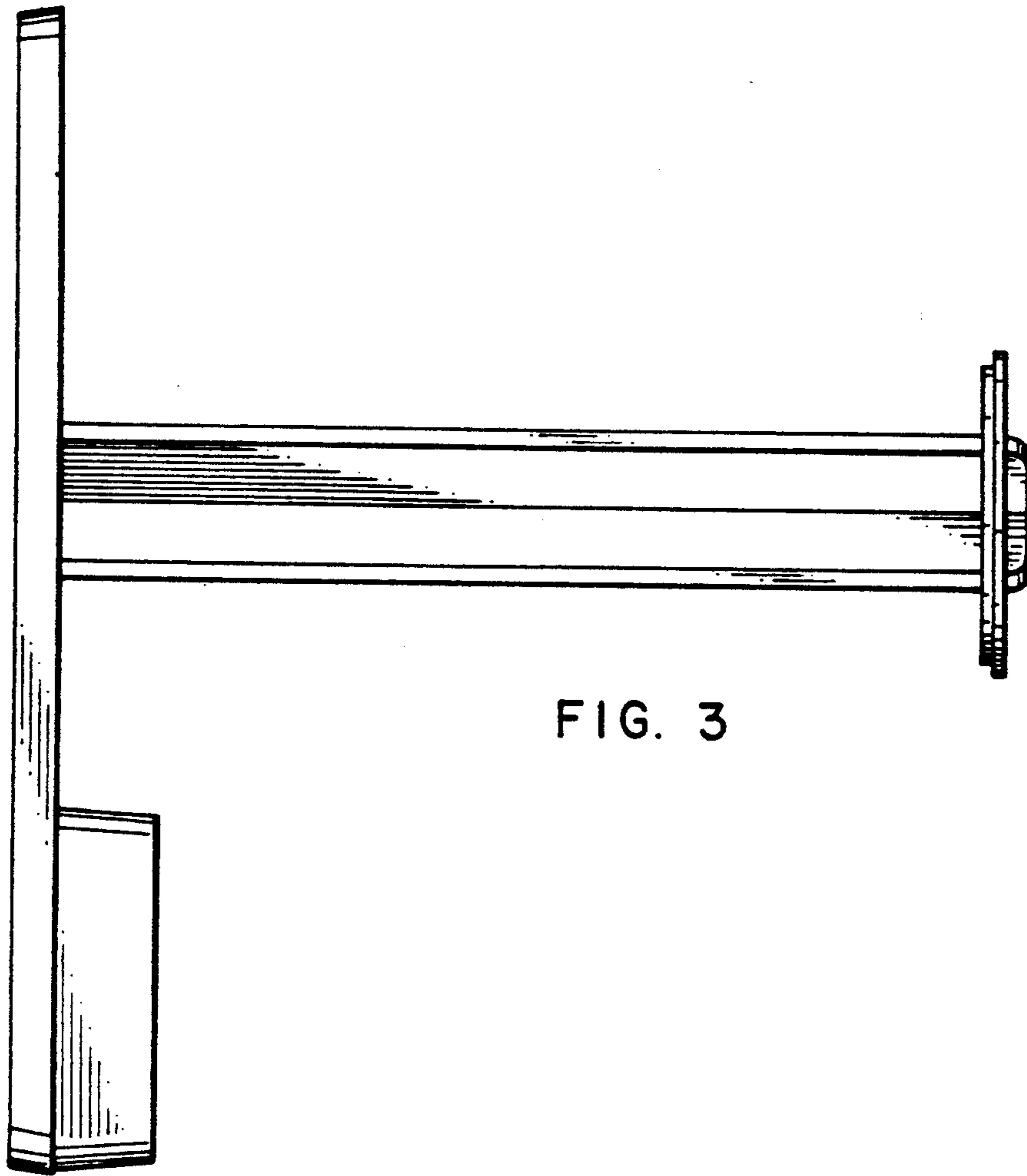


FIG. 3

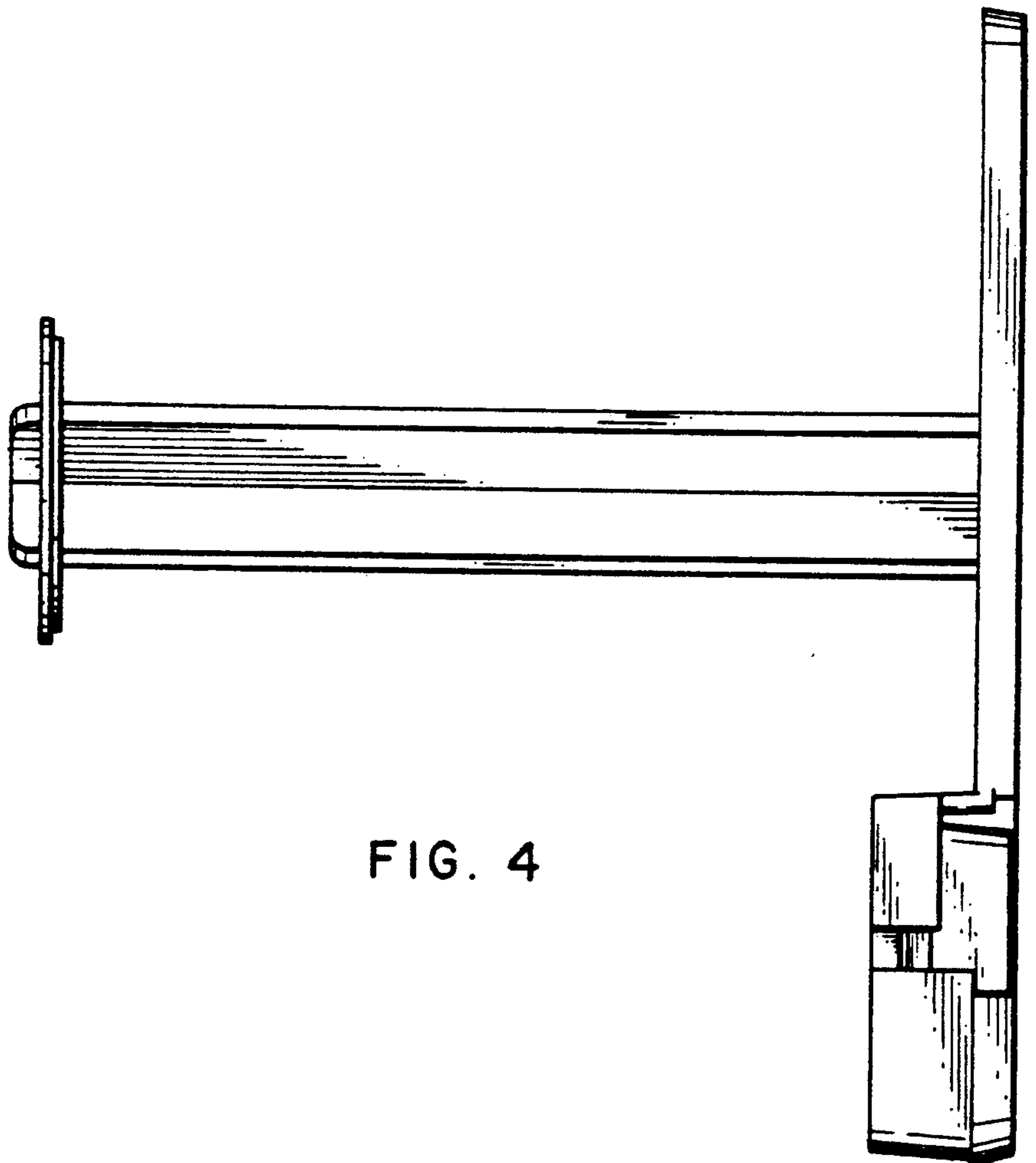


FIG. 4

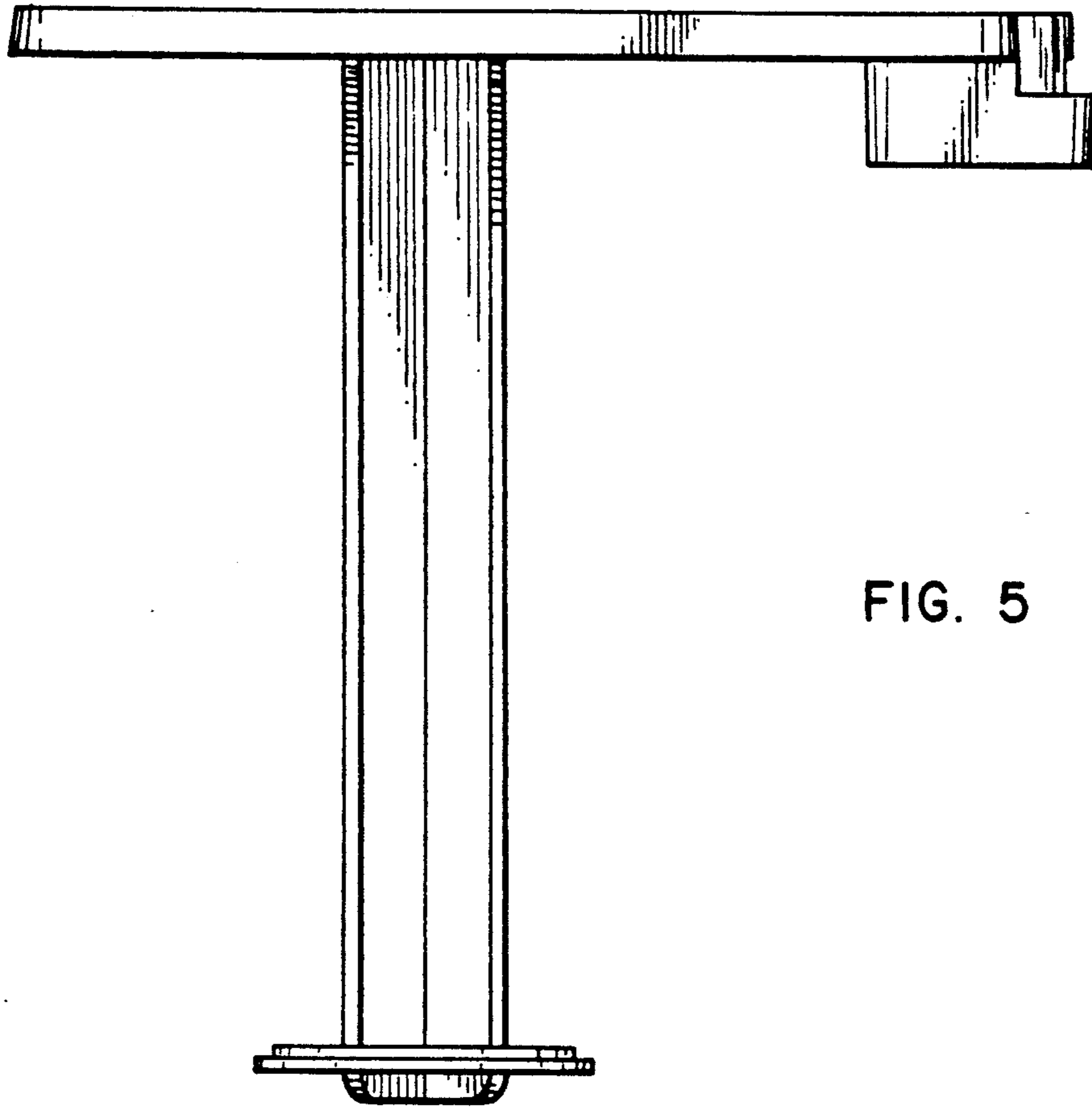


FIG. 5

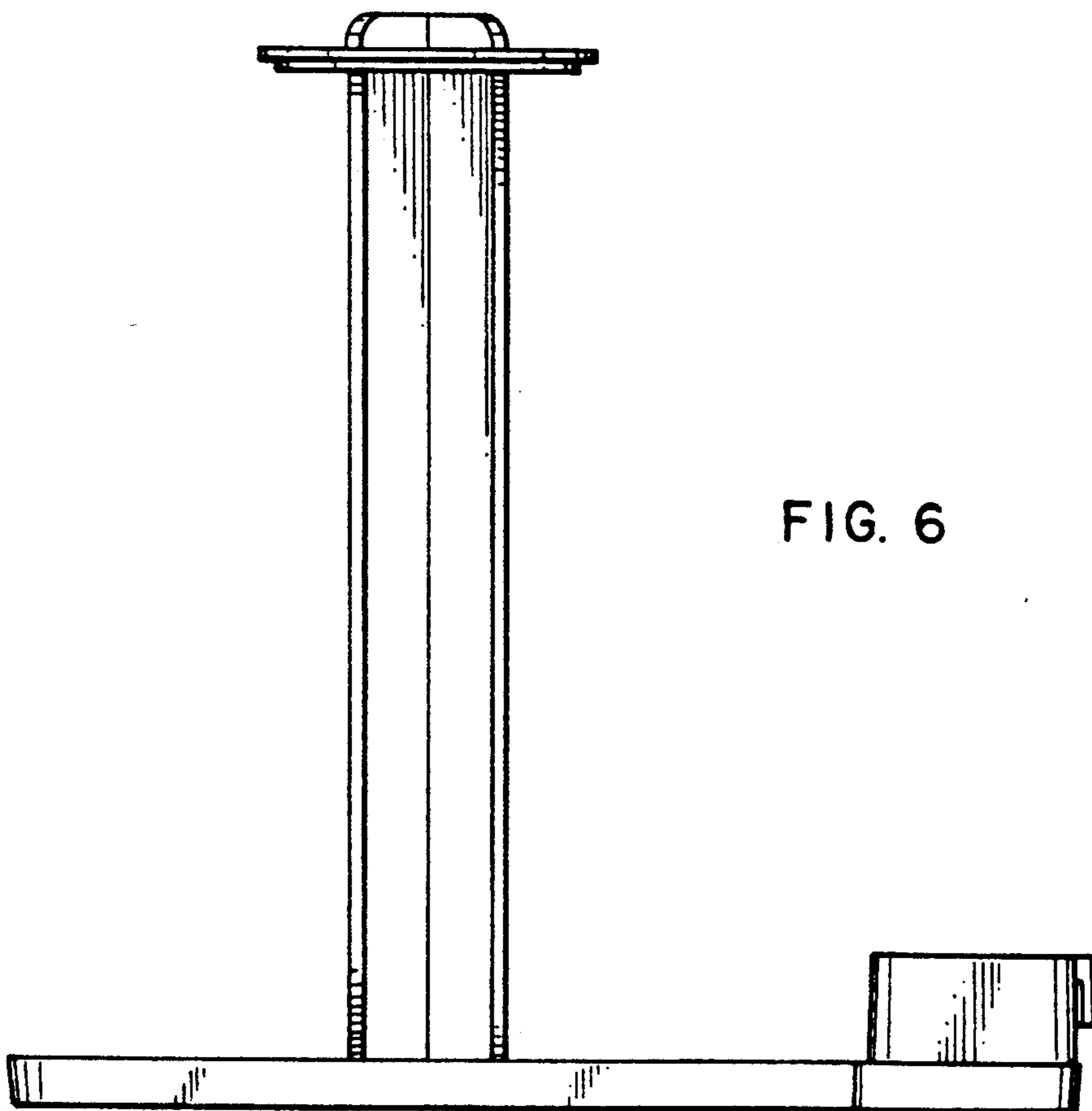


FIG. 6

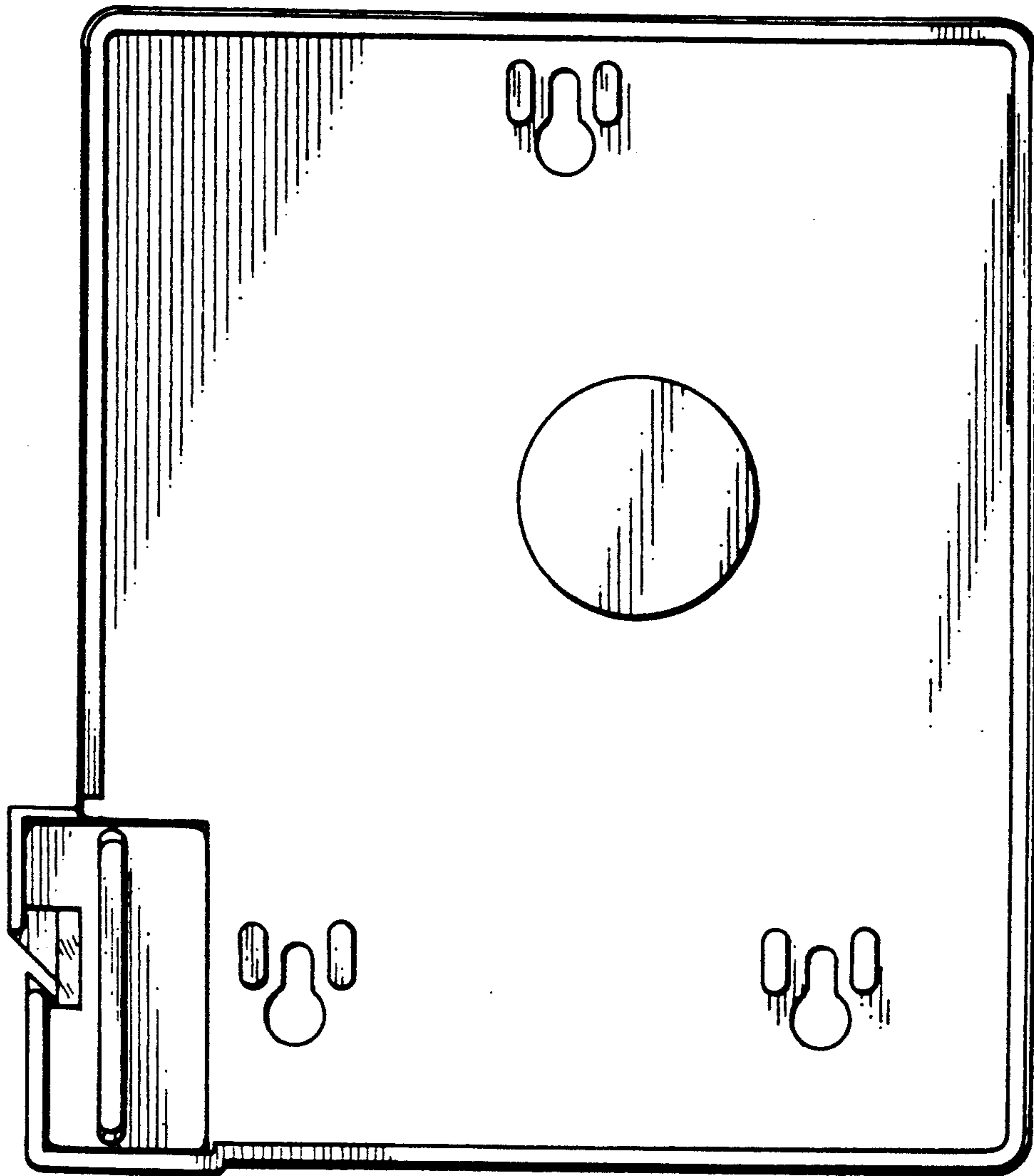


FIG. 7