



US00D343105S

United States Patent [19]

[11] Patent Number: Des. 343,105

Shibata et al.

[45] Date of Patent: ** Jan. 11, 1994

[54] ELECTRIC HAMMER DRILL

D. 325,860 5/1992 Fushiya et al. D8/68

[75] Inventors: Mitsuyoshi Shibata, Nishio; Masao Miwa, Ichinomiya, both of Japan

[73] Assignee: Makita Corporation, Anjo, Japan

[**] Term: 14 Years

[21] Appl. No.: 938,467

[22] Filed: Aug. 31, 1992

[30] Foreign Application Priority Data

Mar. 11, 1992 [JP] Japan 4-7039

[52] U.S. Cl. D8/68

[58] Field of Search D8/61, 68; 81/54, 57, 81/57.11, 57.13; 173/170; D19/53

[56] References Cited

U.S. PATENT DOCUMENTS

D. 280,797 10/1985 Sakamoto et al. D8/61 X

D. 280,883 10/1985 Sakamoto et al. D8/61 X

OTHER PUBLICATIONS

Flyer depicting a rotary hammer (Makita Corporation) Printed in Japan (1985).

Primary Examiner—Alan P. Douglas
Assistant Examiner—J. H. Musgrove
Attorney, Agent, or Firm—Lahive & Cockfield

[57] CLAIM

The ornamental design for an electric hammer drill, as shown.

DESCRIPTION

FIG. 1 is a top, front and left side perspective view of an electric hammer drill showing our new design; FIG. 2 is a front elevational view; FIG. 3 is a rear elevational view; FIG. 4 is a left side elevational view; FIG. 5 is a right side elevational view; FIG. 6 is a top plan view; and, FIG. 7 is a bottom plan view thereof.

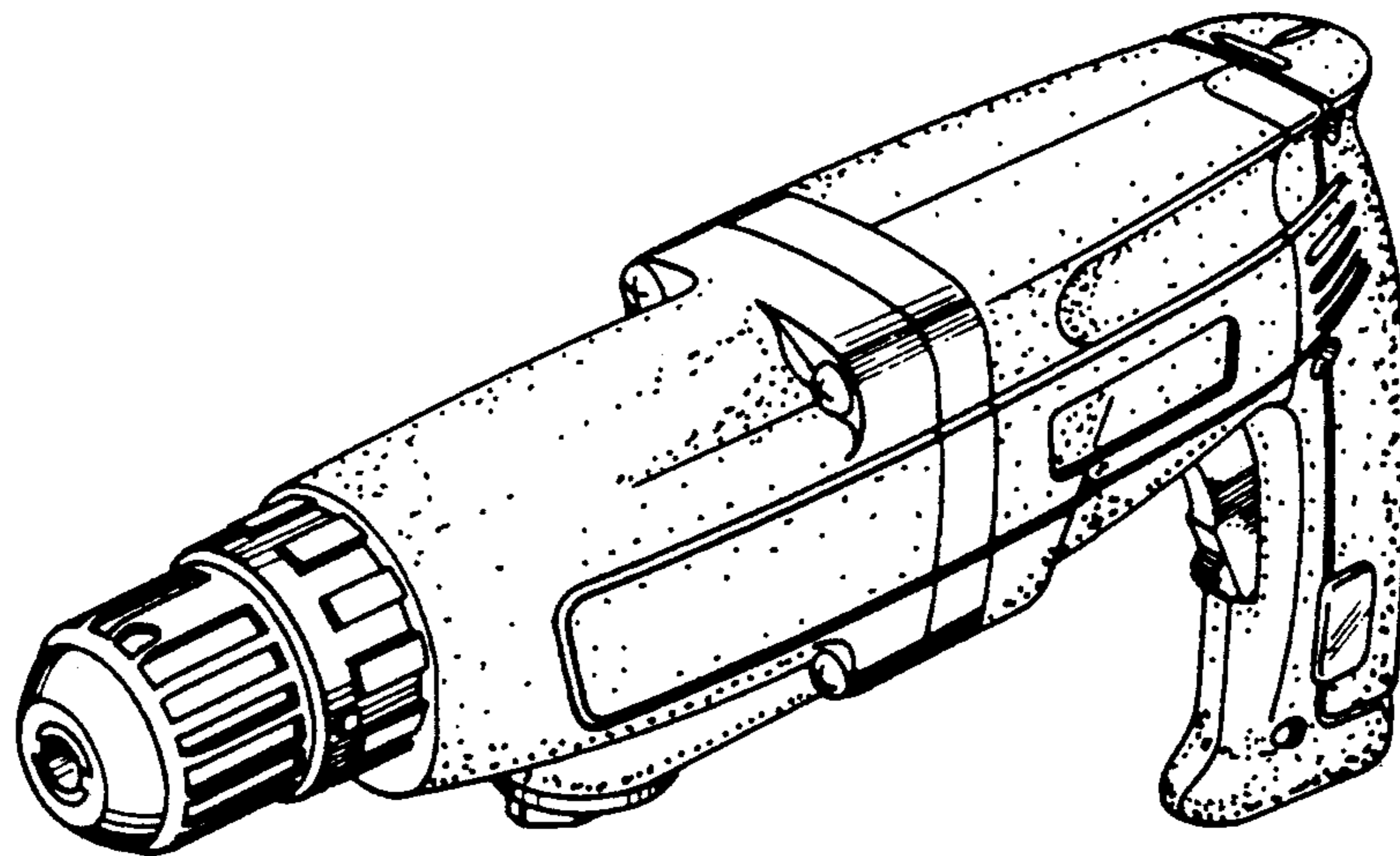


FIG. 1

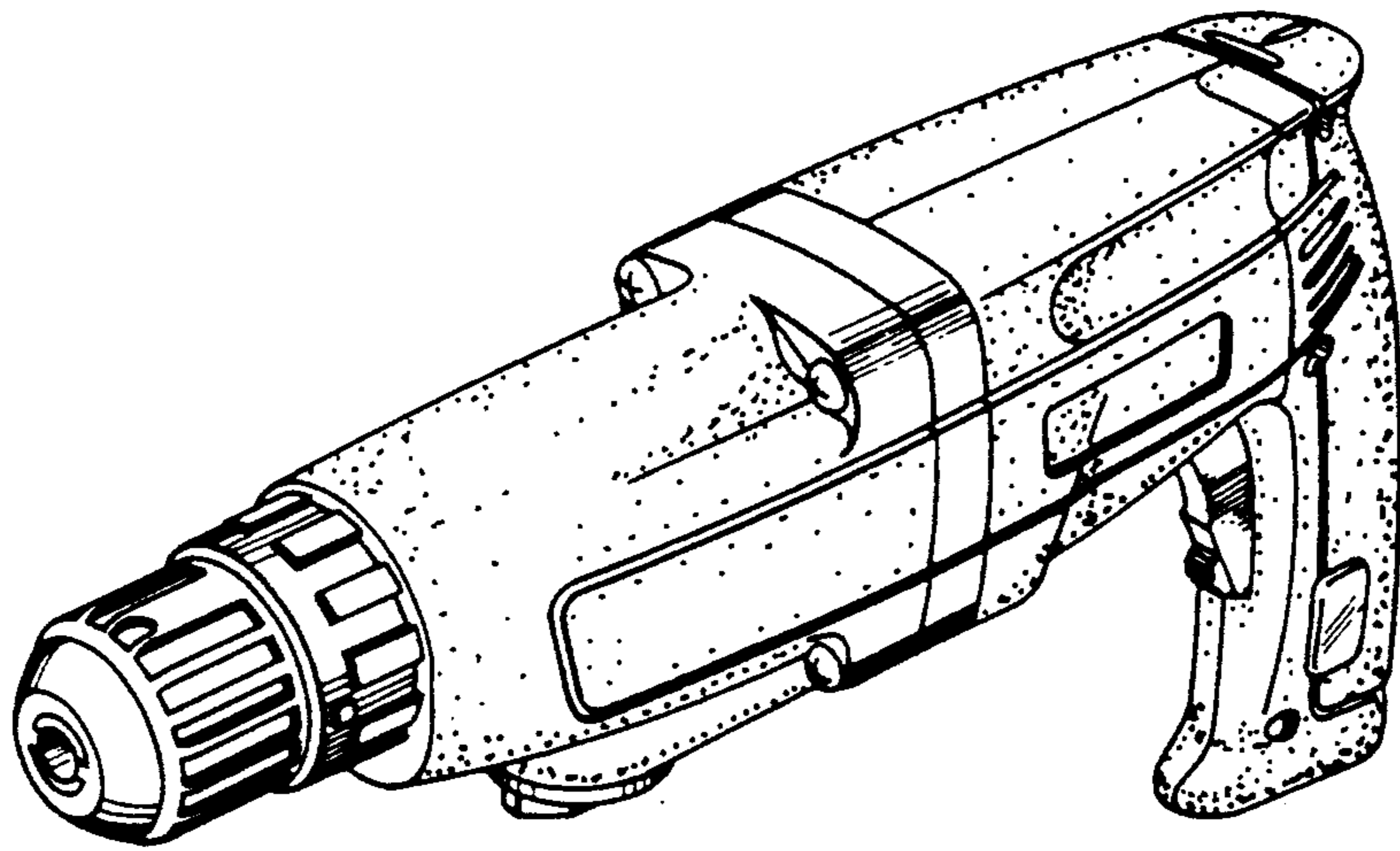


FIG. 2

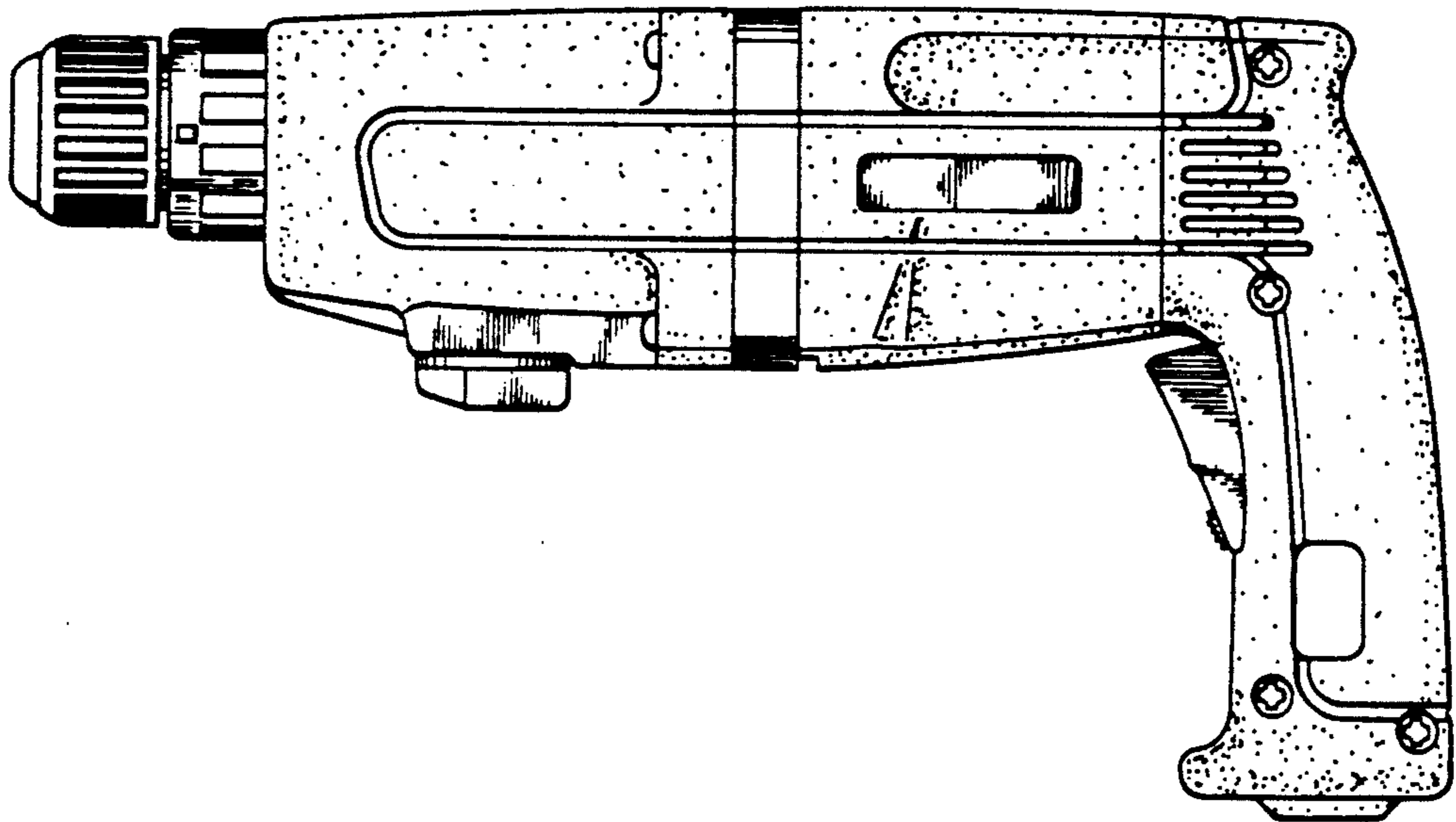


FIG. 3

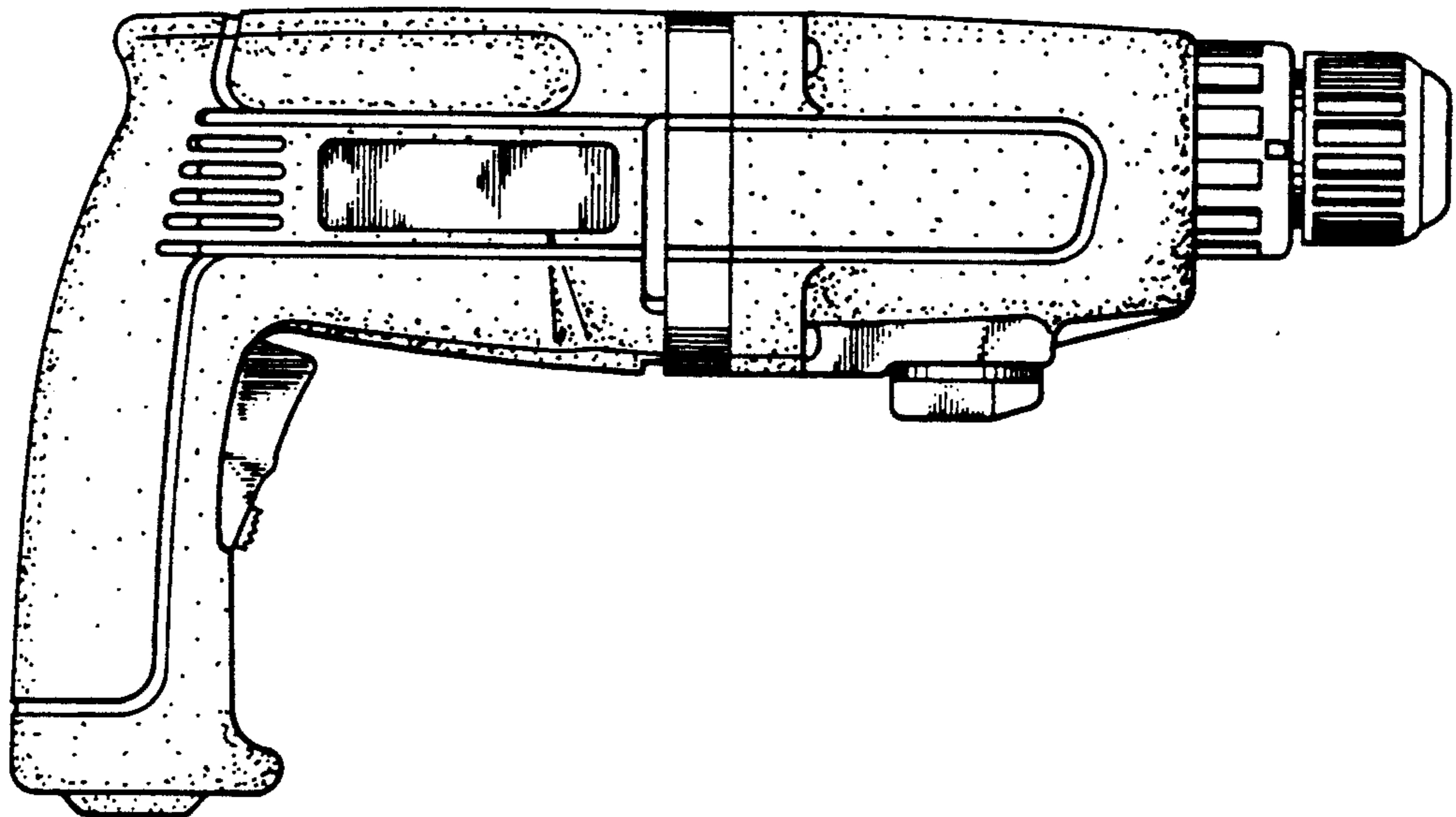


FIG. 4

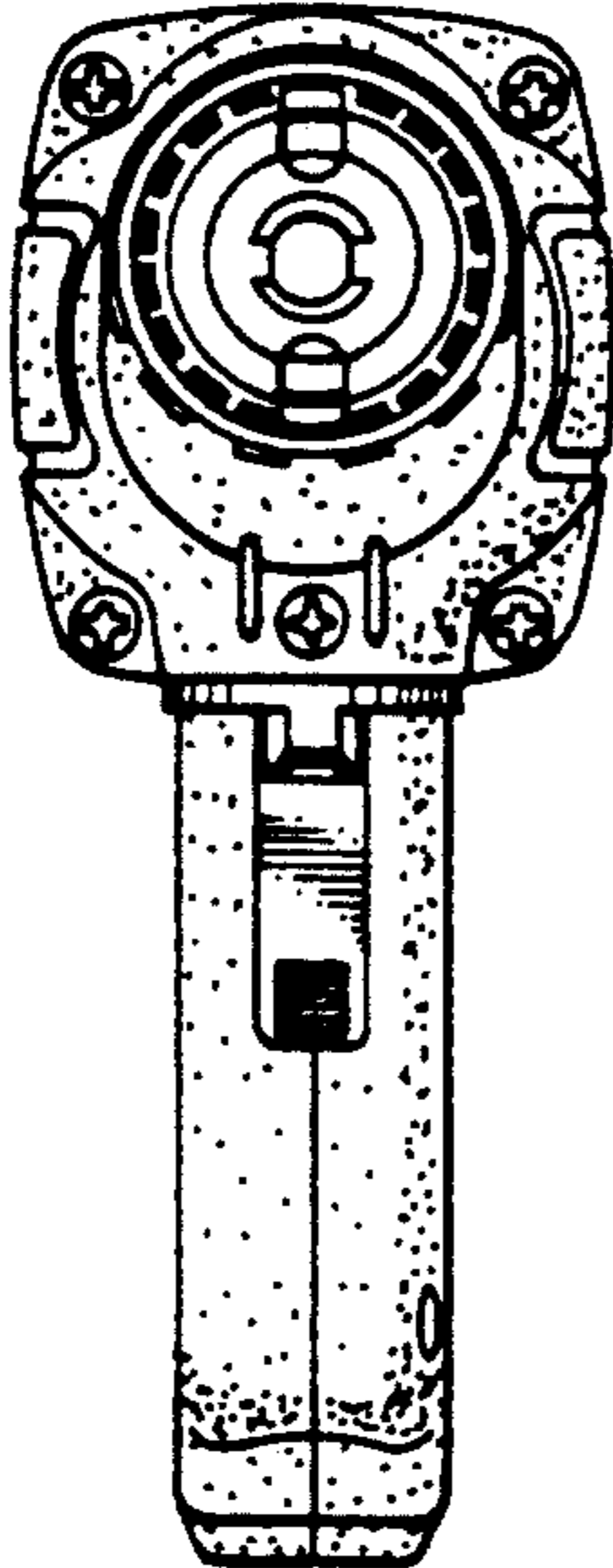


FIG. 5

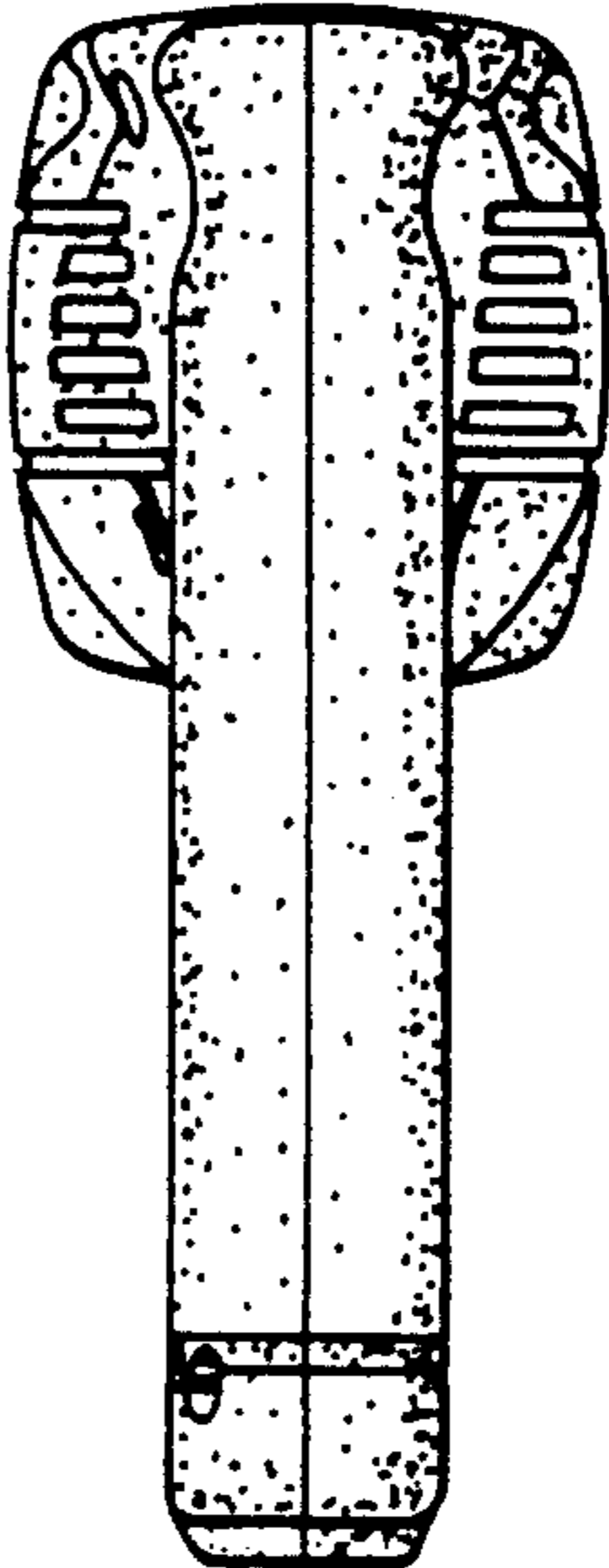


FIG. 6

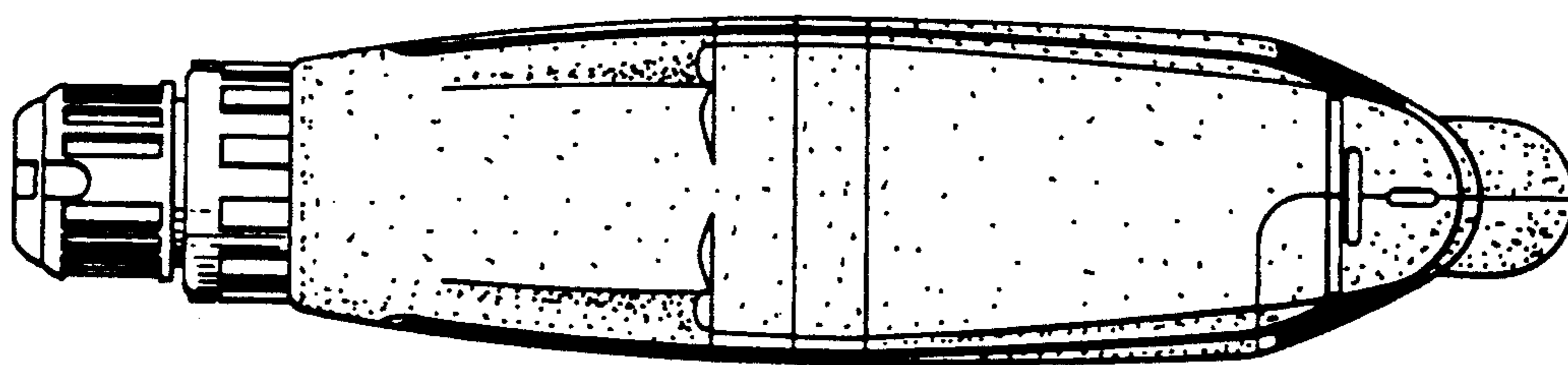


FIG. 7

