



US00D343104S

United States Patent [19]

Hoshino

[11] Patent Number: **Des. 343,104**

[45] Date of Patent: **** Jan. 11, 1994**

[54] **DETAIL PAD SANDER**

[75] Inventor: **Kiyo Hoshino**, Phoenix, Ariz.

[73] Assignee: **Ryobi Motor Products Corp.**, Easley, S.C.

[**] Term: **14 Years**

[21] Appl. No.: **920,145**

[22] Filed: **Jul. 24, 1992**

[52] U.S. Cl. **D8/62**

[58] Field of Search **D8/61, 62; 51/170, 170 T; 170 TL; 170 MT; 170 R**

4,774,789 10/1988 Amalfi 51/170 TL
5,123,216 6/1992 Kloss et al. 51/170 MT

Primary Examiner—Nelson C. Holtje
Assistant Examiner—J. H. Musgrove
Attorney, Agent, or Firm—Brooks & Kushman

[57] **CLAIM**

The ornamental design of a detail pad sander, as shown and described in the drawings.

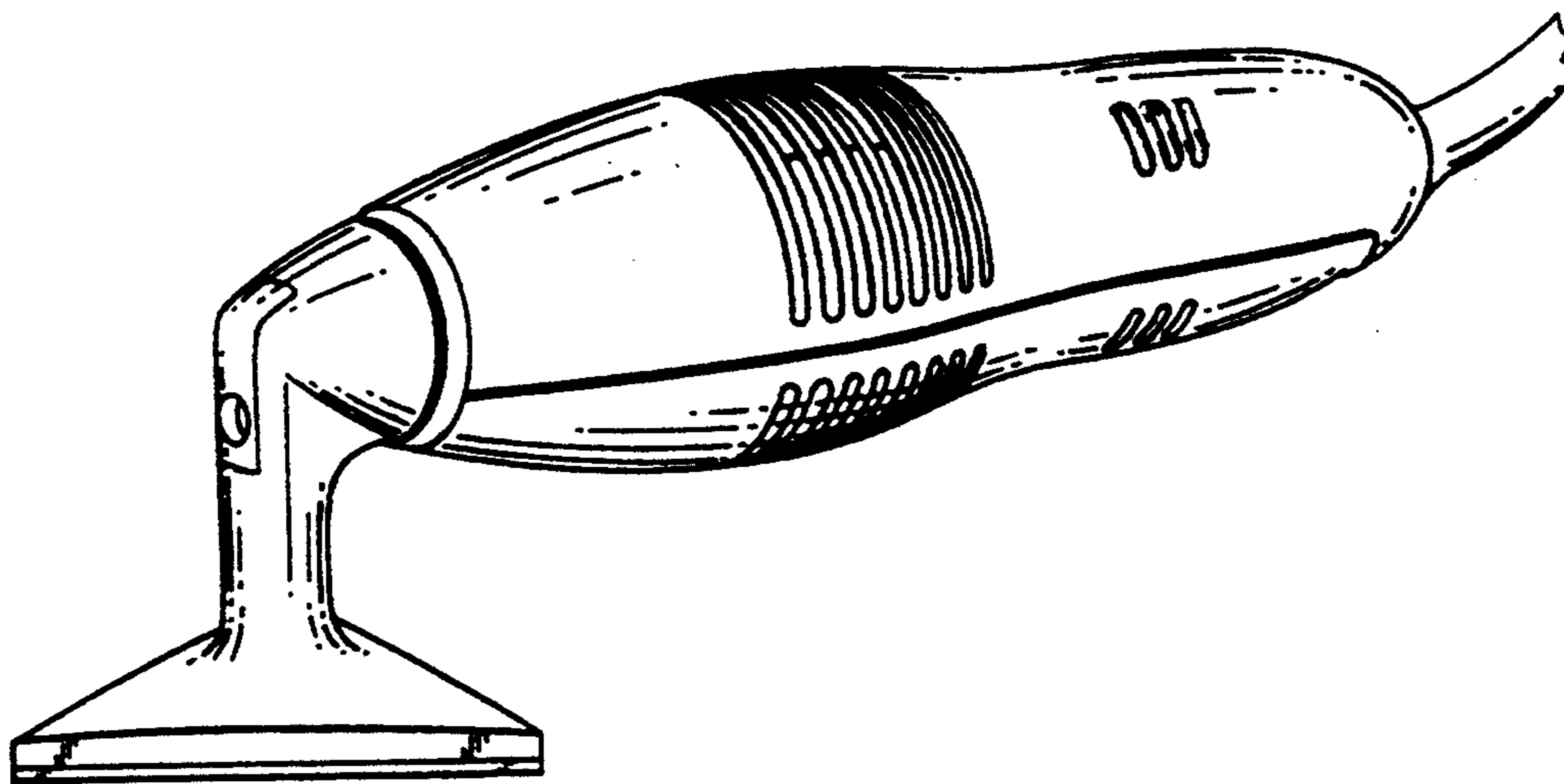
DESCRIPTION

FIG. 1 is a perspective view of a detail pad sander showing my new design;
FIG. 2 is a top plan view thereof;
FIG. 3 is a left end view;
FIG. 4 is a right end view;
FIG. 5 is a front side elevational view;
FIG. 6 is a rear side elevational view; and,
FIG. 7 is a bottom plan view.

[56] **References Cited**

U.S. PATENT DOCUMENTS

- | | | | |
|------------|--------|---------------------|-------|
| D. 326,042 | 5/1992 | Kriaski et al. | D8/62 |
| D. 329,362 | 9/1992 | Saito et al. | D8/62 |
| D. 332,559 | 1/1993 | Miyoshi et al. | D8/62 |



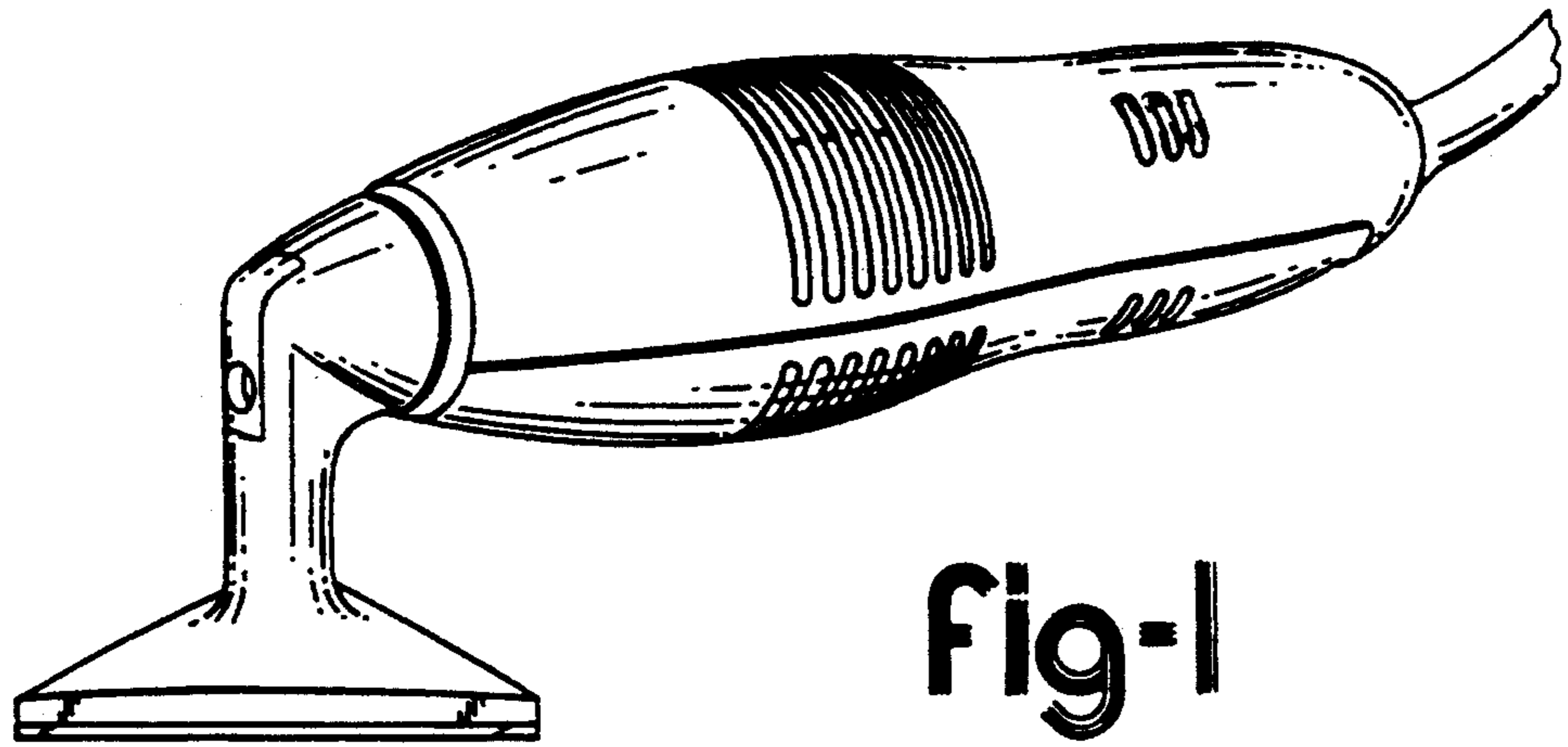


fig-1

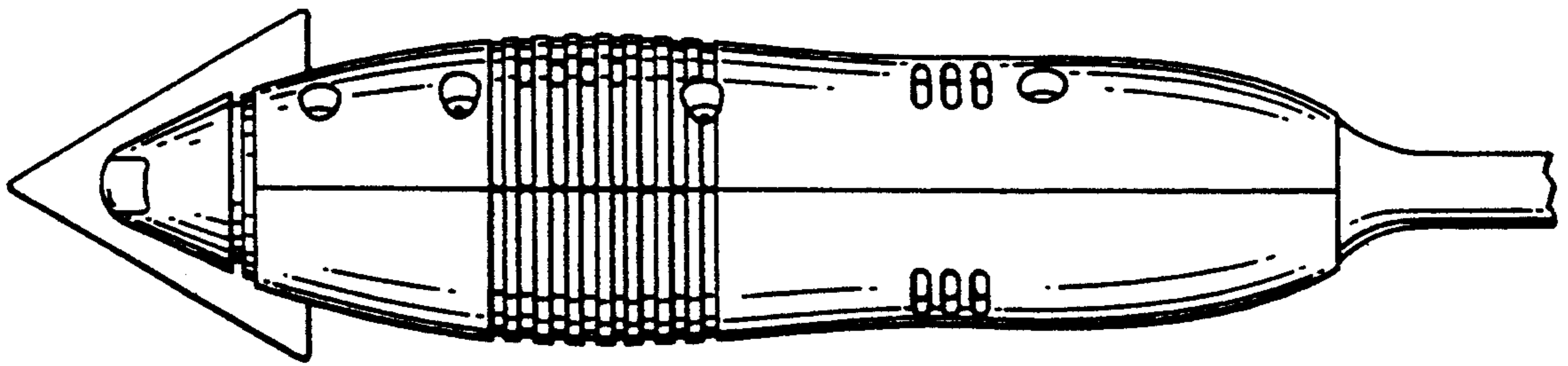


fig-2

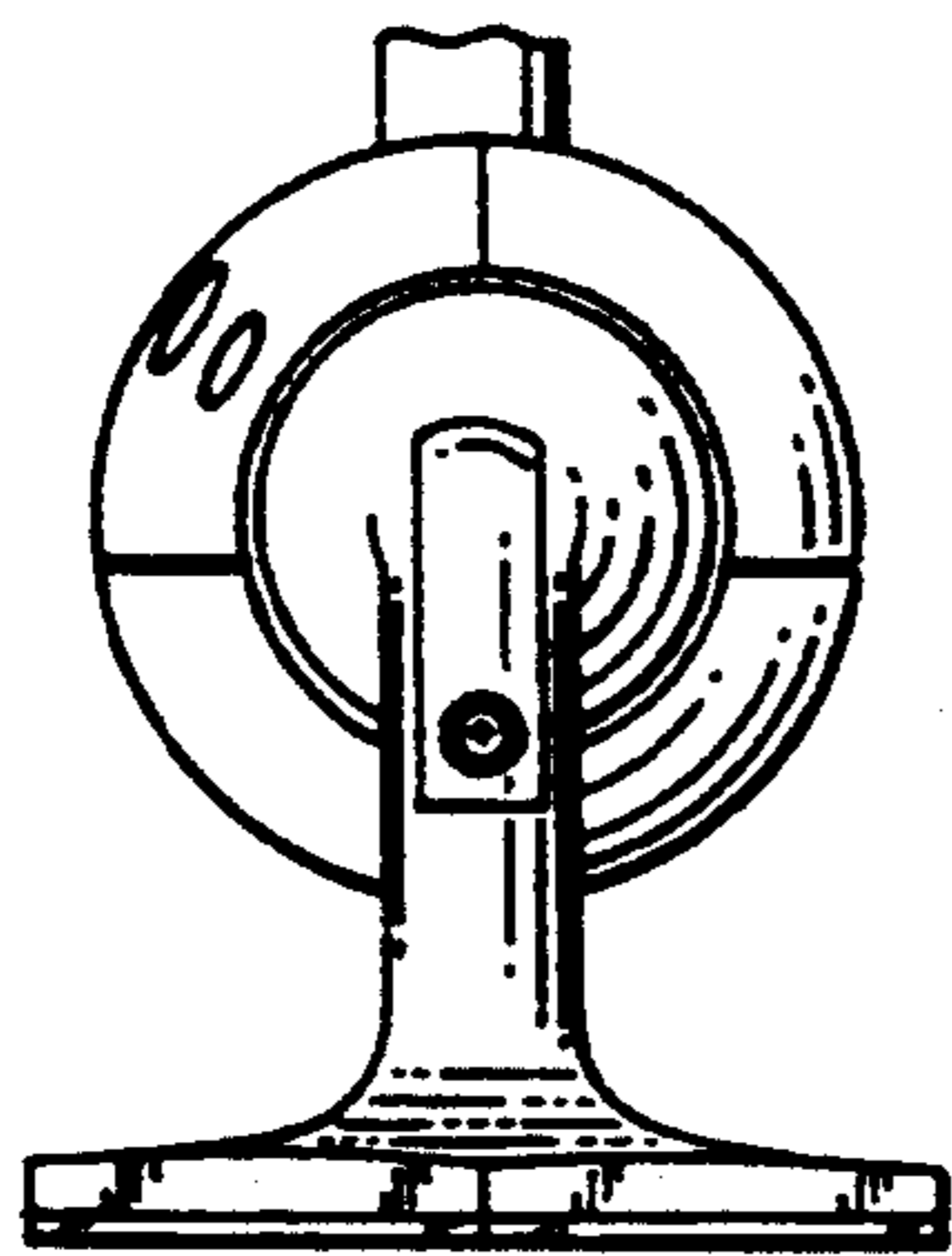


fig-3

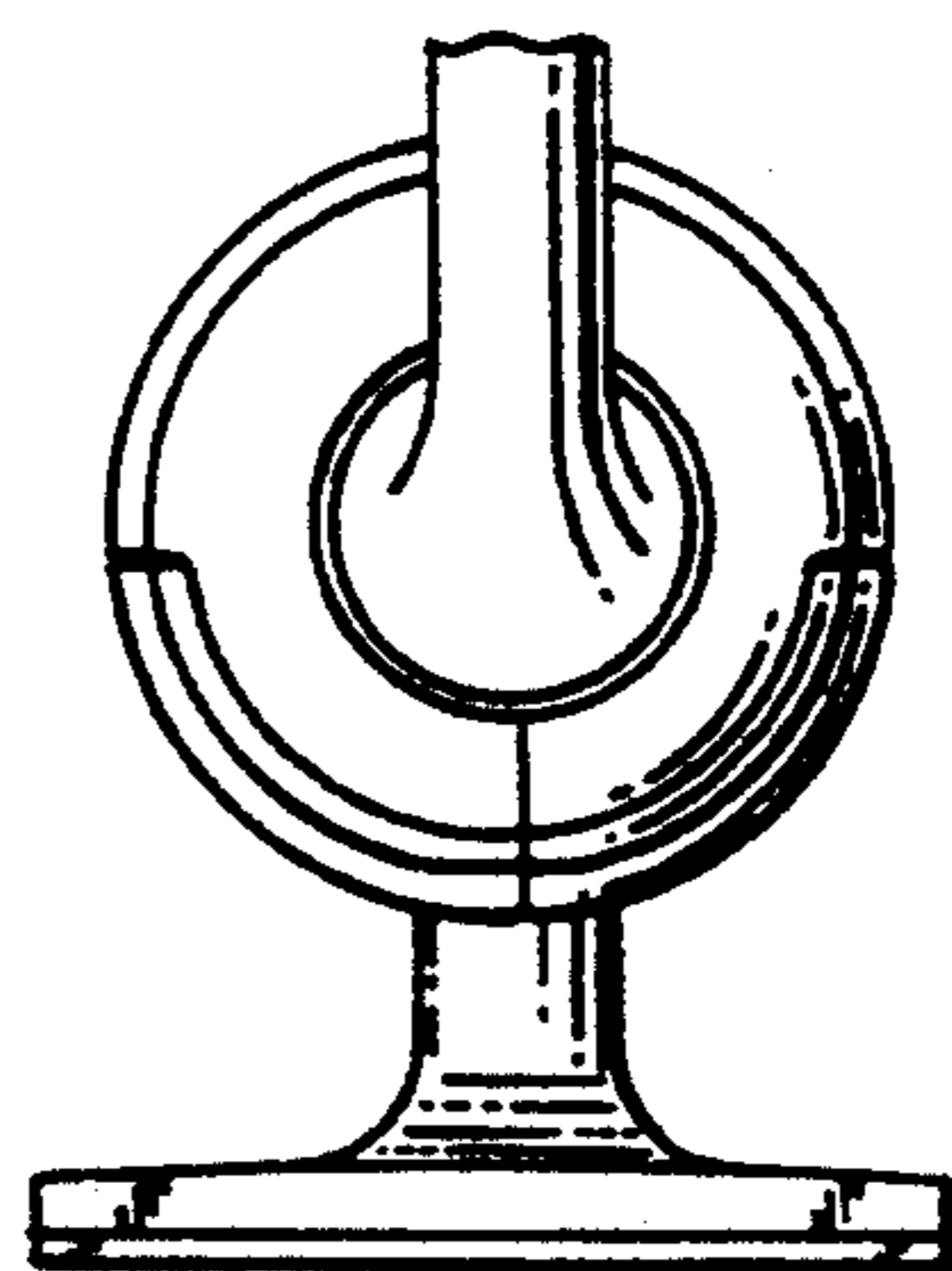


fig-4

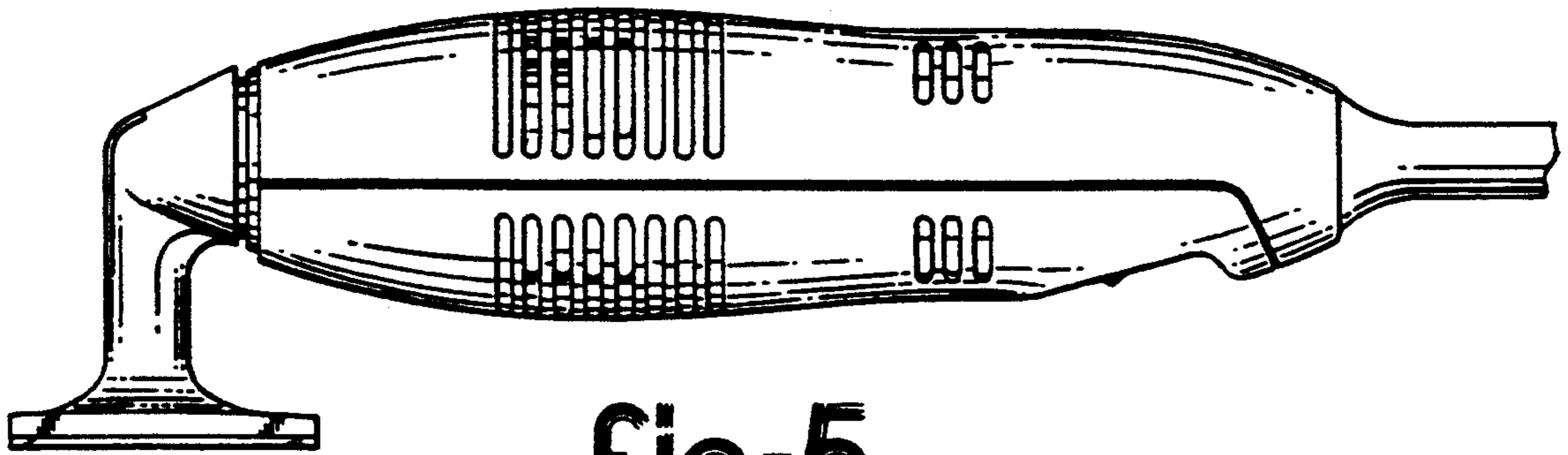


Fig-5

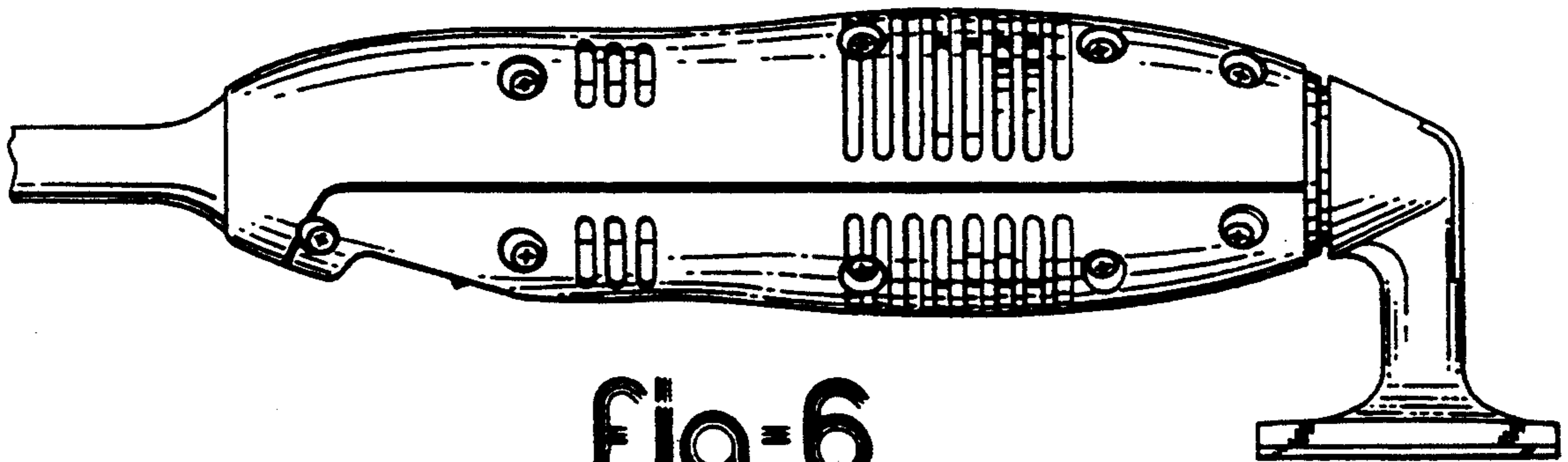


Fig-6

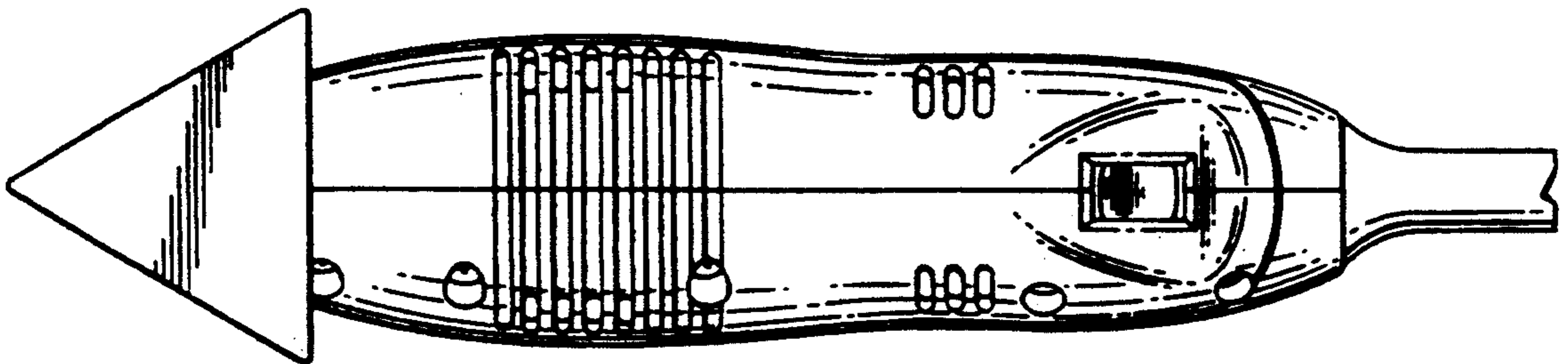


Fig-7