



US00D343103S

United States Patent [19]

[11] Patent Number: **Des. 343,103**

Bunce

[45] Date of Patent: **** Jan. 11, 1994**

[54] **DISPENSING GUN**

[56]

References Cited

[75] Inventor: **Philip Bunce, Portland, Australia**

U.S. PATENT DOCUMENTS

[73] Assignees: **Enzacor Australia Pty Ltd., Noble Park; Portland Surgical Products Pty Ltd., Portland, both of Australia**

- D. 258,797 4/1981 Davis, Jr. D8/14.1
- D. 261,425 10/1981 Bruhn D8/14.1
- D. 263,635 3/1982 Wendt D8/14.1
- D. 313,736 1/1991 Boliver et al. D8/14.1

[**] Term: **14 Years**

Primary Examiner—Alan P. Douglas
Assistant Examiner—J. H. Musgrove
Attorney, Agent, or Firm—Ernest A. Beutler

[21] Appl. No.: **842,572**

[57]

CLAIM

[22] Filed: **Feb. 25, 1992**

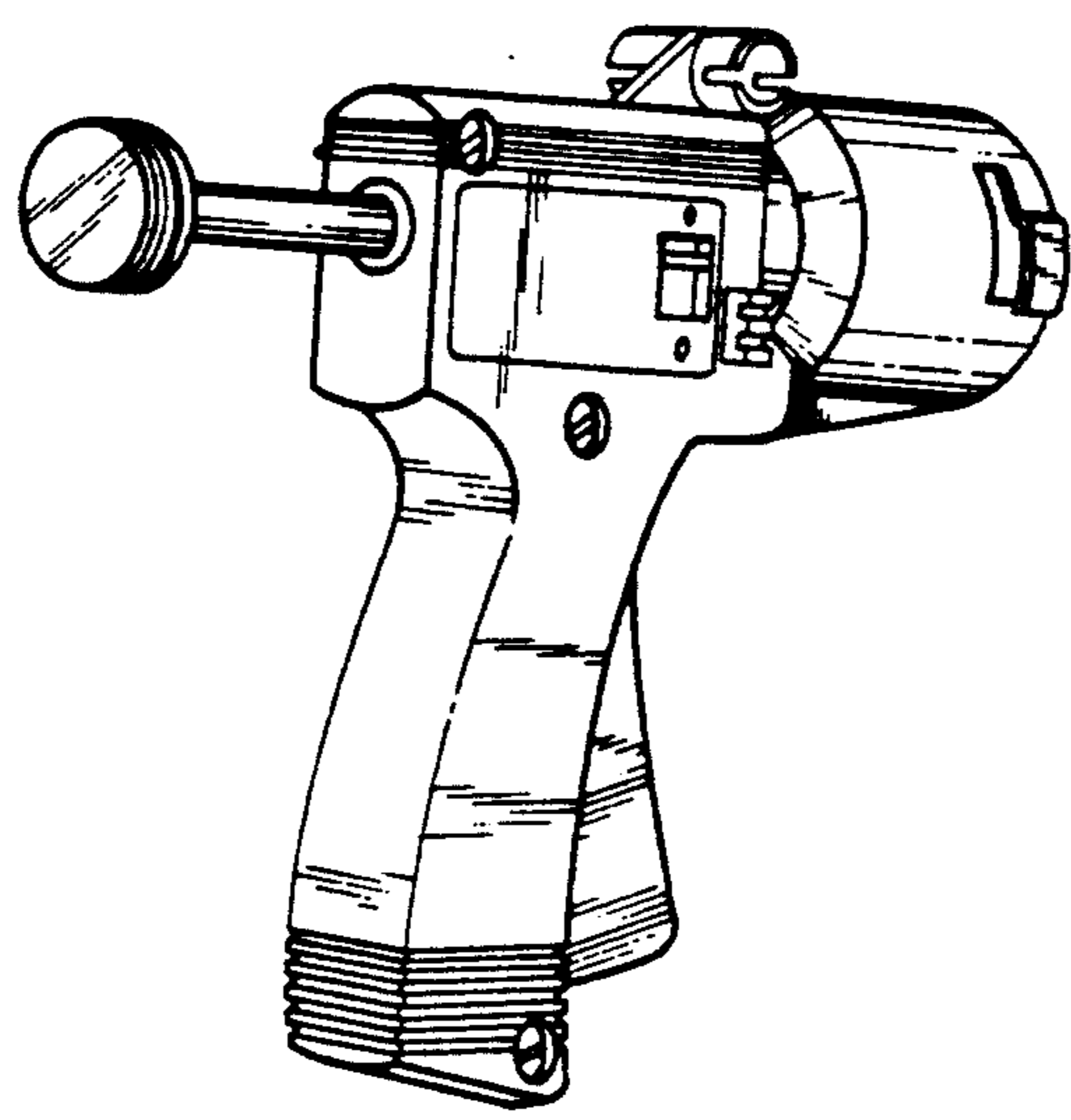
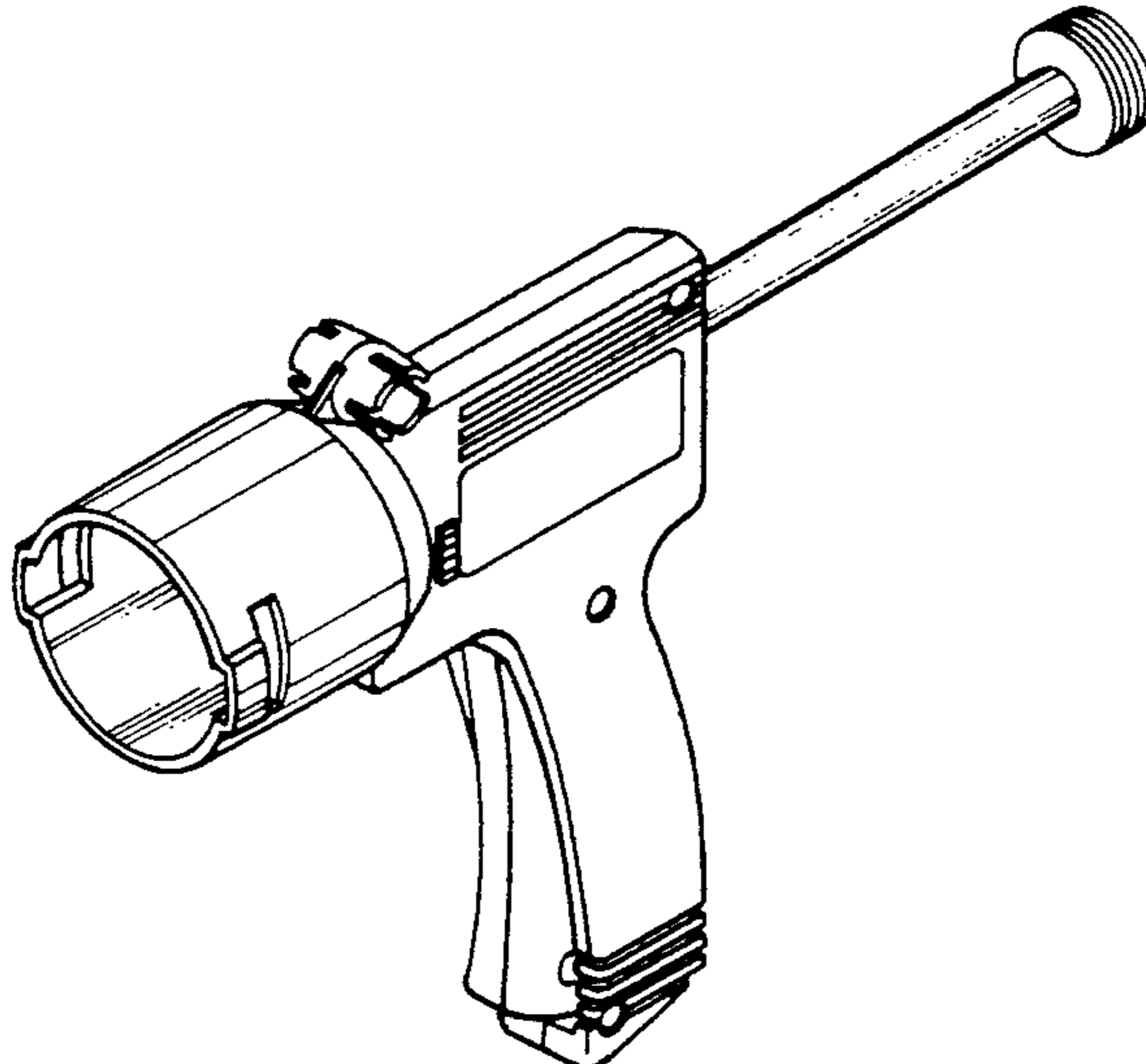
The ornamental design as shown in the drawings for a dispensing gun.

[30] **Foreign Application Priority Data**

DESCRIPTION

- Aug. 26, 1991 [AU] Australia 2511/91
- [52] U.S. Cl. D8/14.1
- [58] Field of Search D8/14.1, 68; 222/333, 222/327, 326, 390

FIG. 1 is a perspective view of a dispensing gun constructed in accordance with the design taken from the front and from one side; and, FIG. 2 is a perspective view thereof from the rear and the other side.



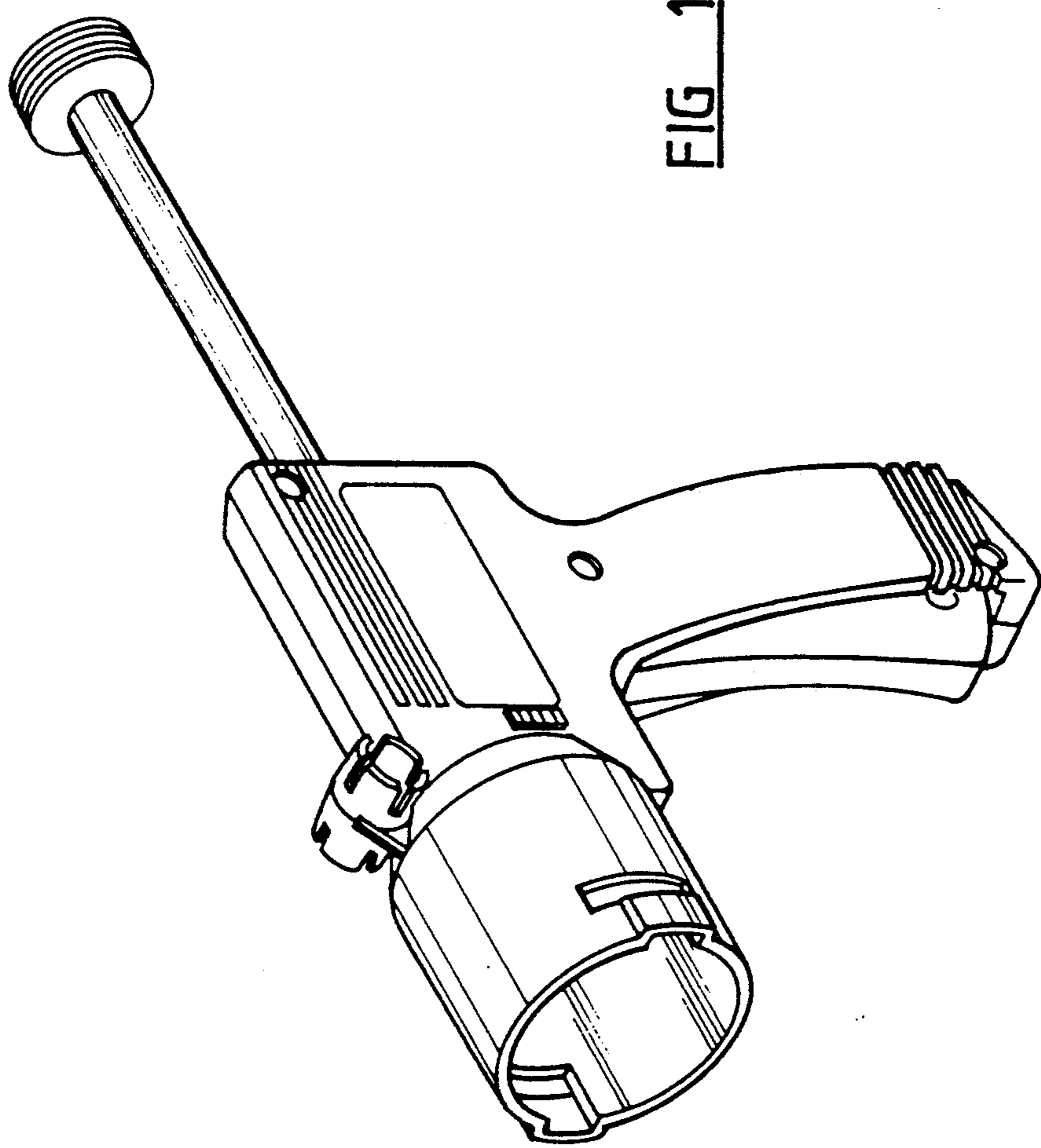


FIG 1

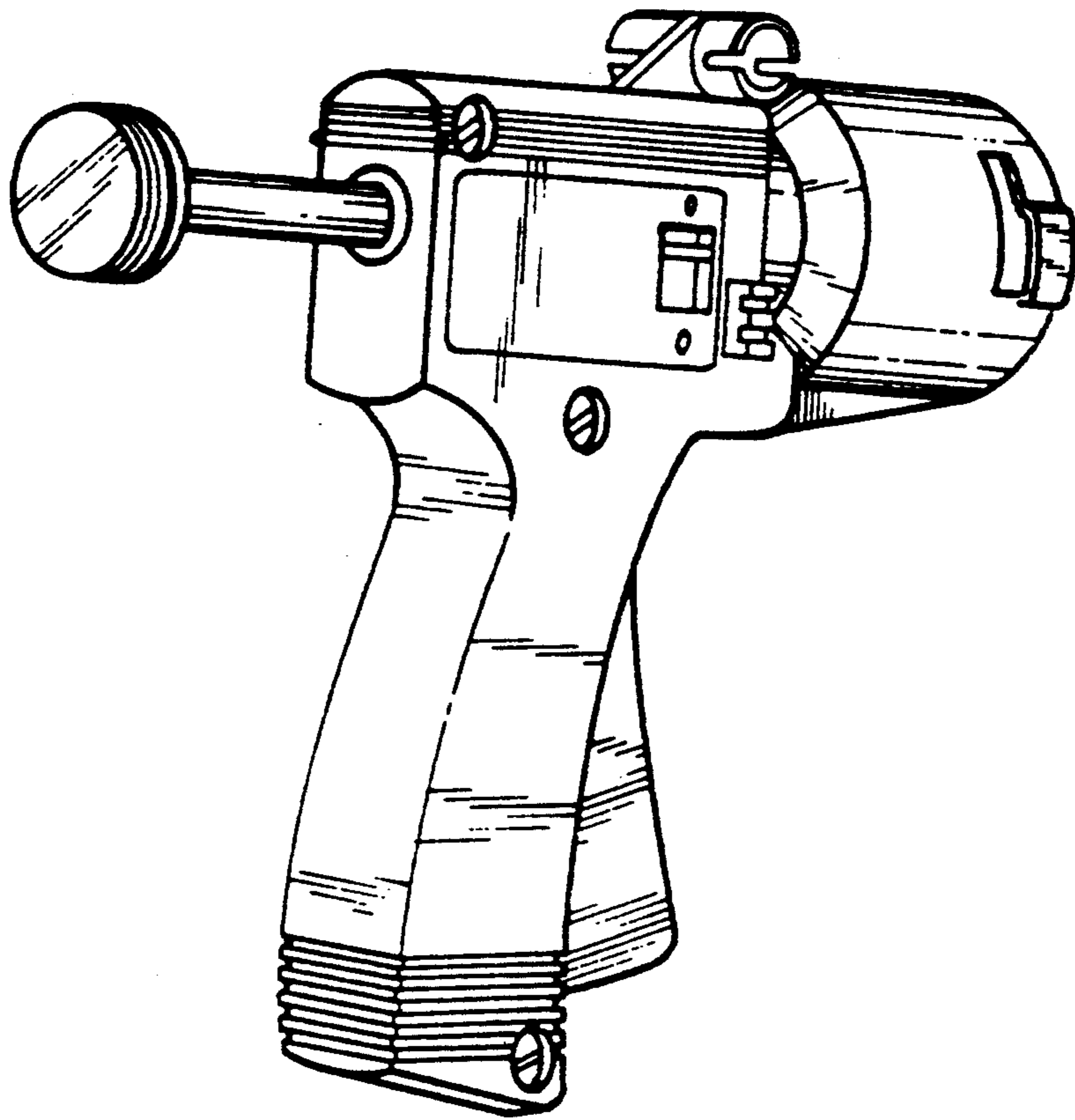


FIGURE 2