



US00D343099S

**United States Patent** [19]  
**So**

[11] **Patent Number: Des. 343,099**  
[45] **Date of Patent: \*\* Jan. 11, 1994**

[54] **GRATER**

[75] **Inventor: Shun So, Kowloon, Hong Kong**

[73] **Assignee: Ki Mee Metal & Plastic Factory Limited, Kowloon, Hong Kong**

[\*] **Notice:** The portion of the term of this patent subsequent to Jul. 13, 2007 has been disclaimed.

[\*\*] **Term: 14 Years**

[21] **Appl. No.: 706,065**

[22] **Filed: May 28, 1991**

[30] **Foreign Application Priority Data**

Jan. 14, 1991 [GB] United Kingdom ..... 2012319  
[52] **U.S. Cl.** ..... **D7/678**  
[58] **Field of Search** ..... **D7/678; 241/95, 168, 241/273.1-273.4, 274**

[56] **References Cited**

**U.S. PATENT DOCUMENTS**

D. 227,534 7/1973 Hutzler ..... D7/678

**OTHER PUBLICATIONS**

Hke, Jun. 1991, p. 544, Grater 1245 & 1234.  
Hke, Apr. 1983, p. 19, Grater 834.

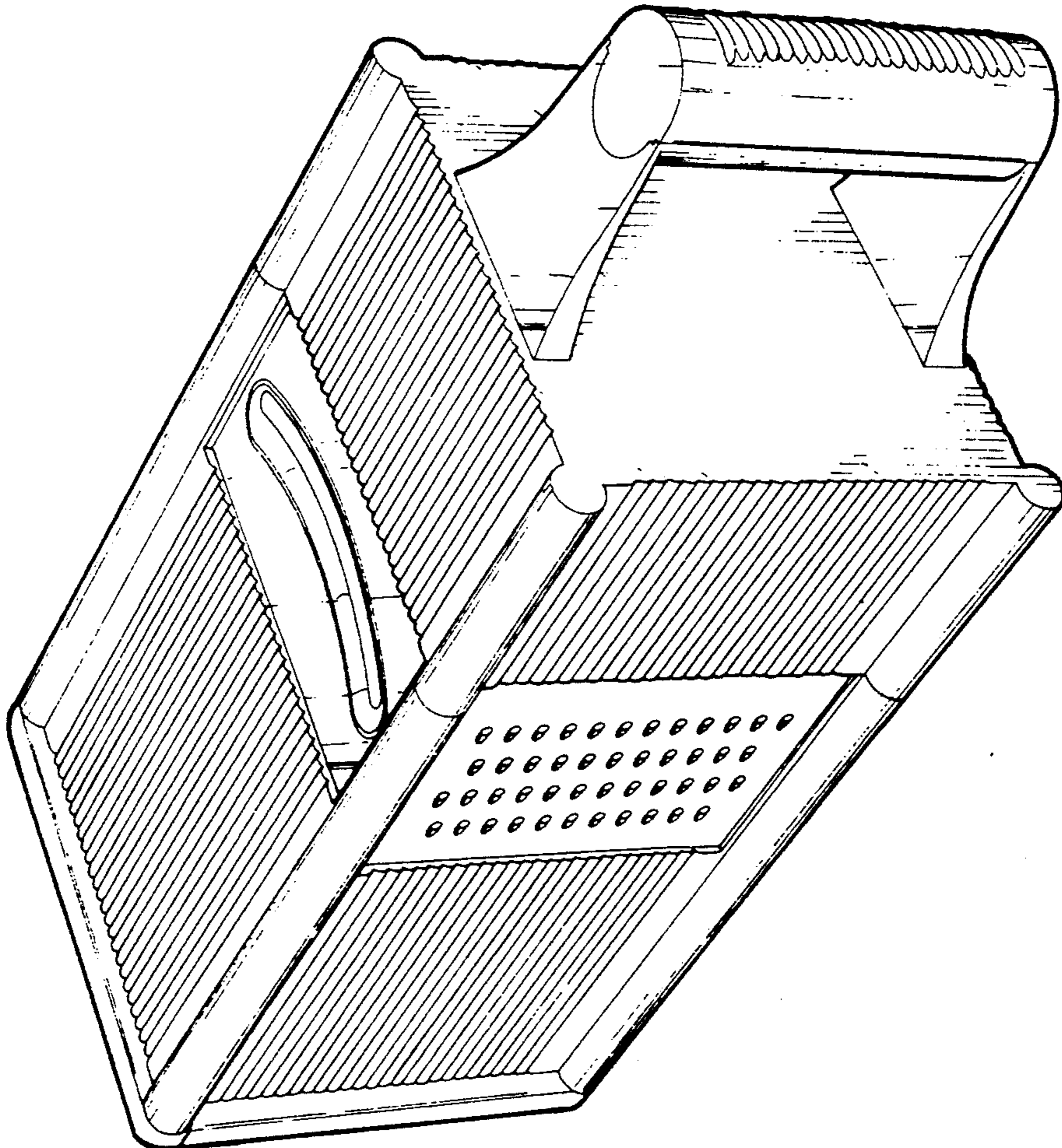
*Primary Examiner*—Terry A. Pfeffer Wallace  
*Attorney, Agent, or Firm*—Wood, Herron & Evans

[57] **CLAIM**

The ornamental design for a grater, as shown and described.

**DESCRIPTION**

FIG. 1 is a top plan view of the grater showing my new design;  
FIG. 2 is a bottom plan view thereof;  
FIG. 3 is a left side elevational view thereof;  
FIG. 4 is a rear elevational view thereof;  
FIG. 5 is a front elevational view thereof;  
FIG. 6 is a right side elevational view thereof;  
FIG. 7 is a top perspective view thereof; and,  
FIG. 8 is a bottom perspective view in an open position.



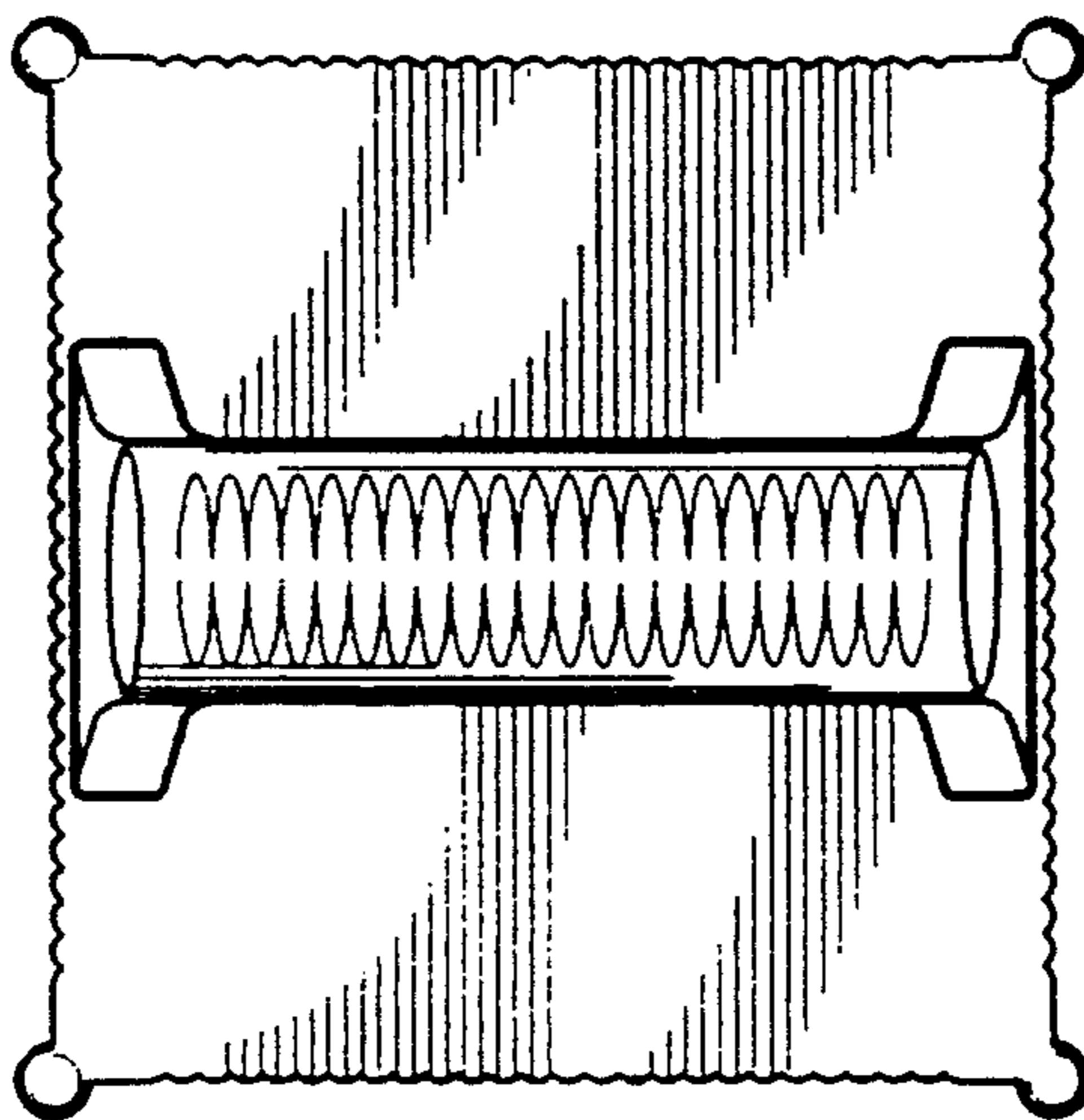


FIG 1

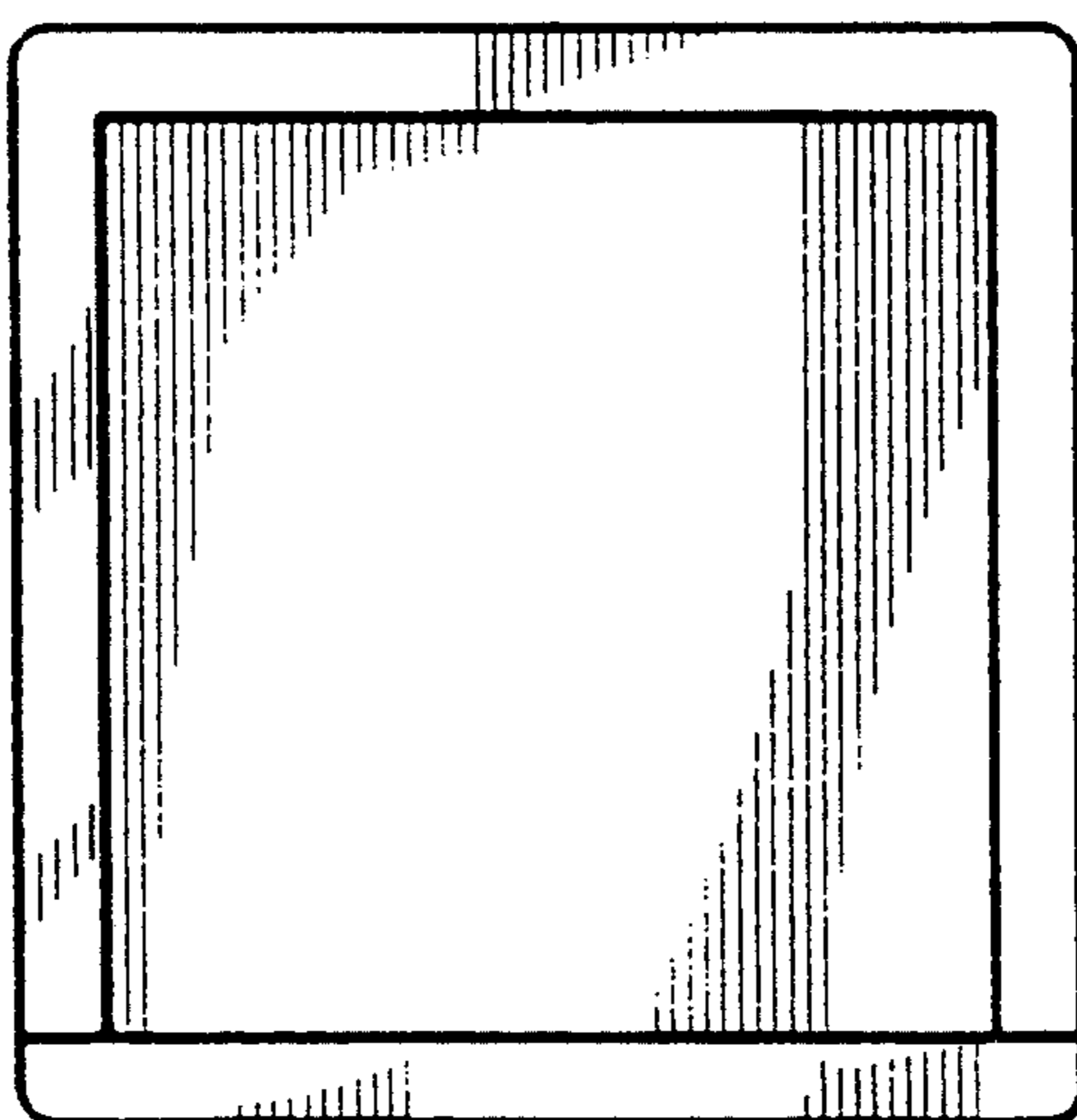


FIG 2

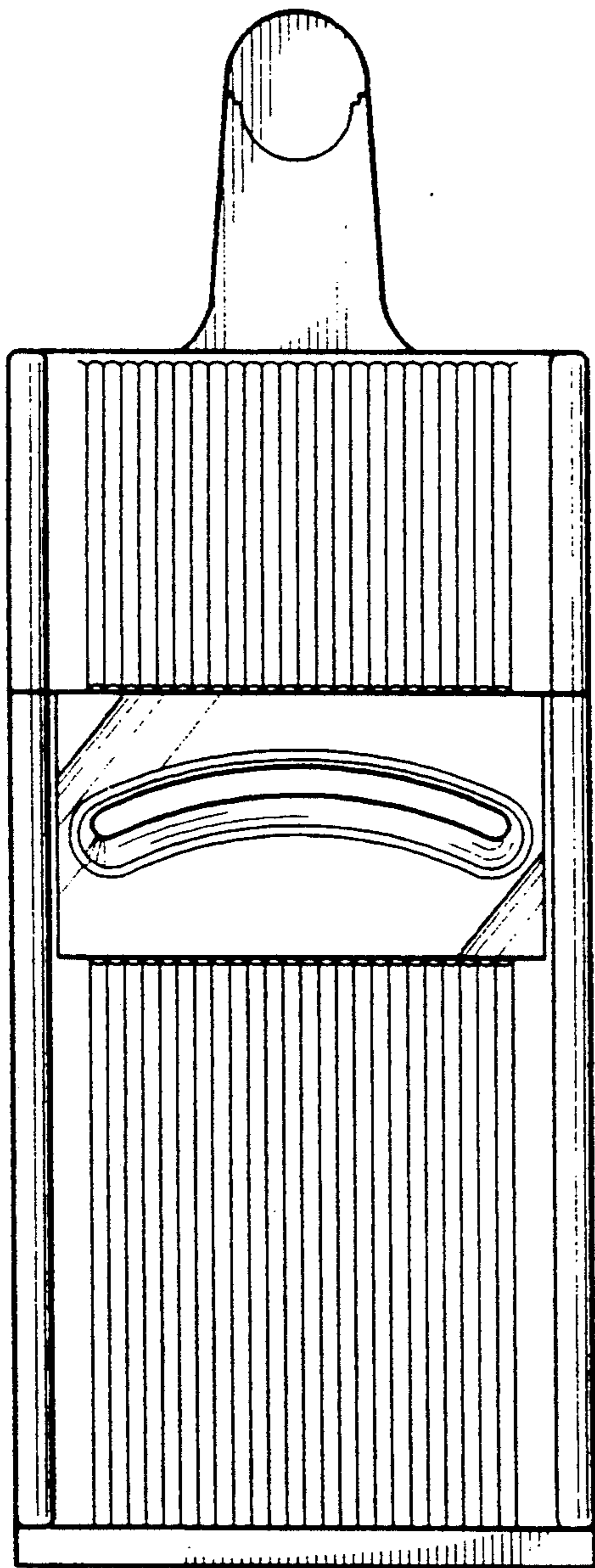


FIG 3

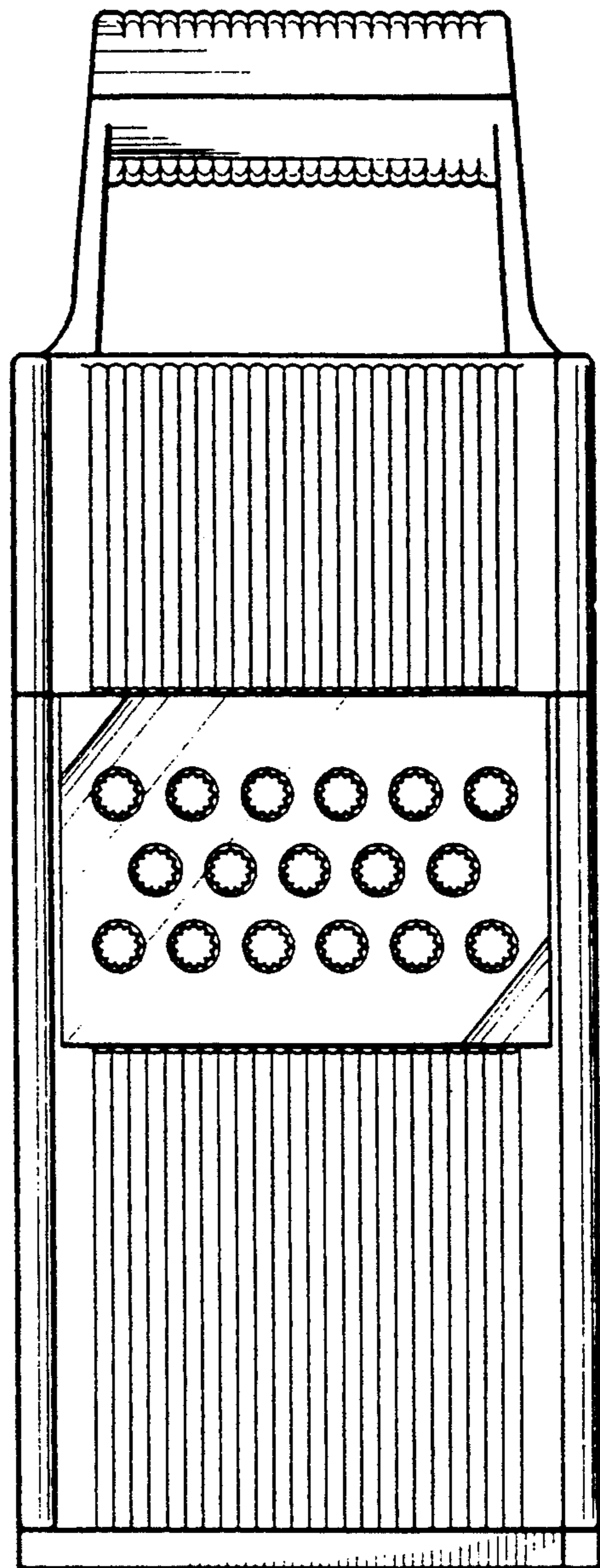


FIG 4

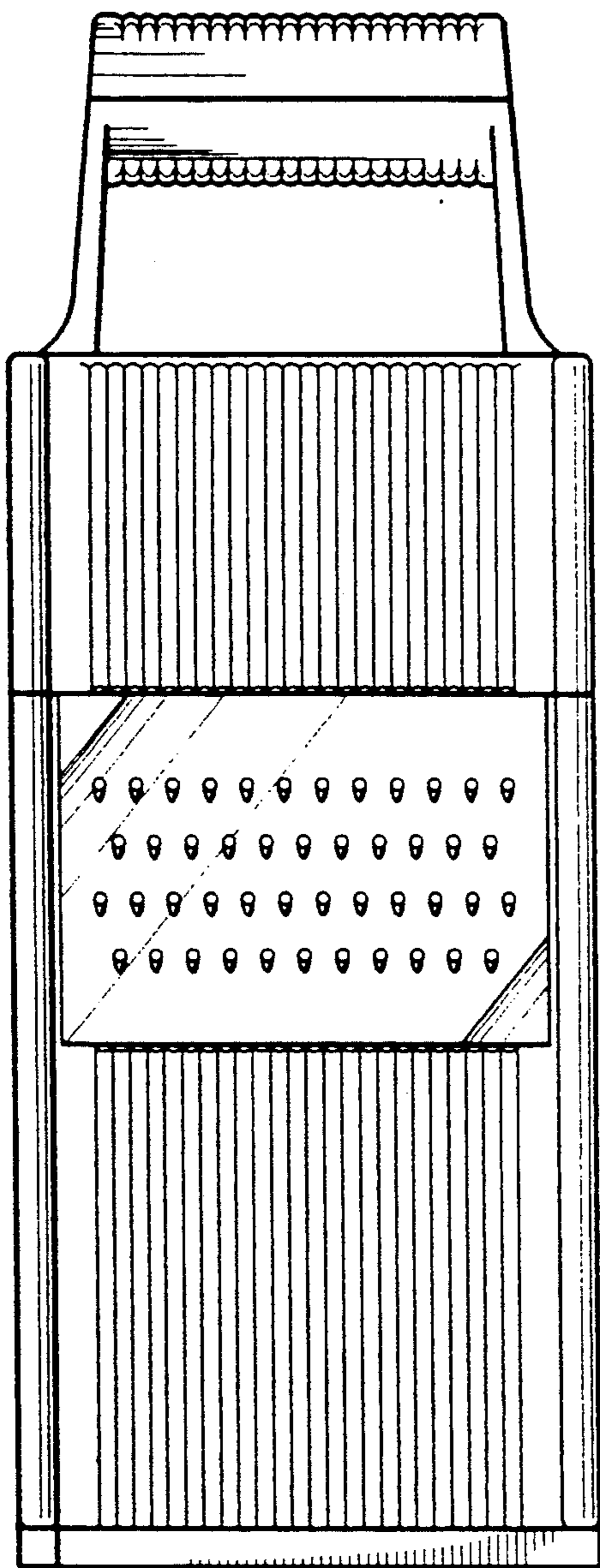


FIG 5

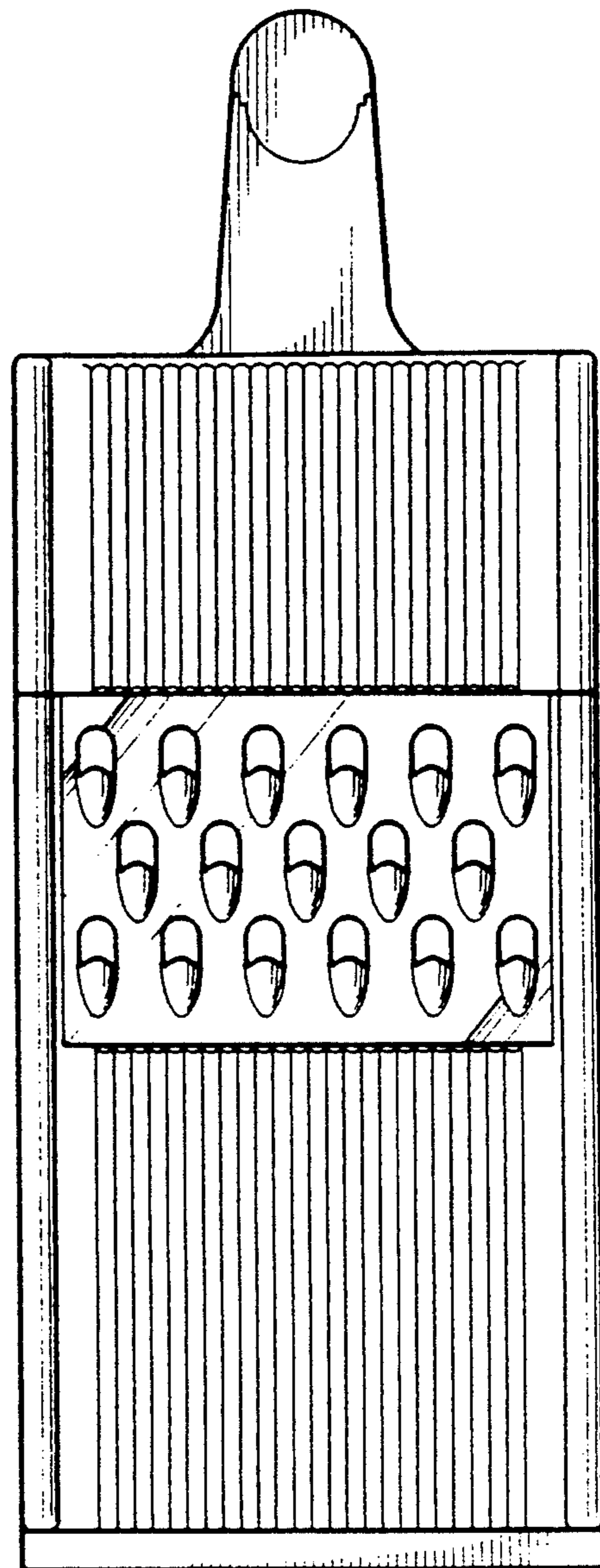


FIG 6

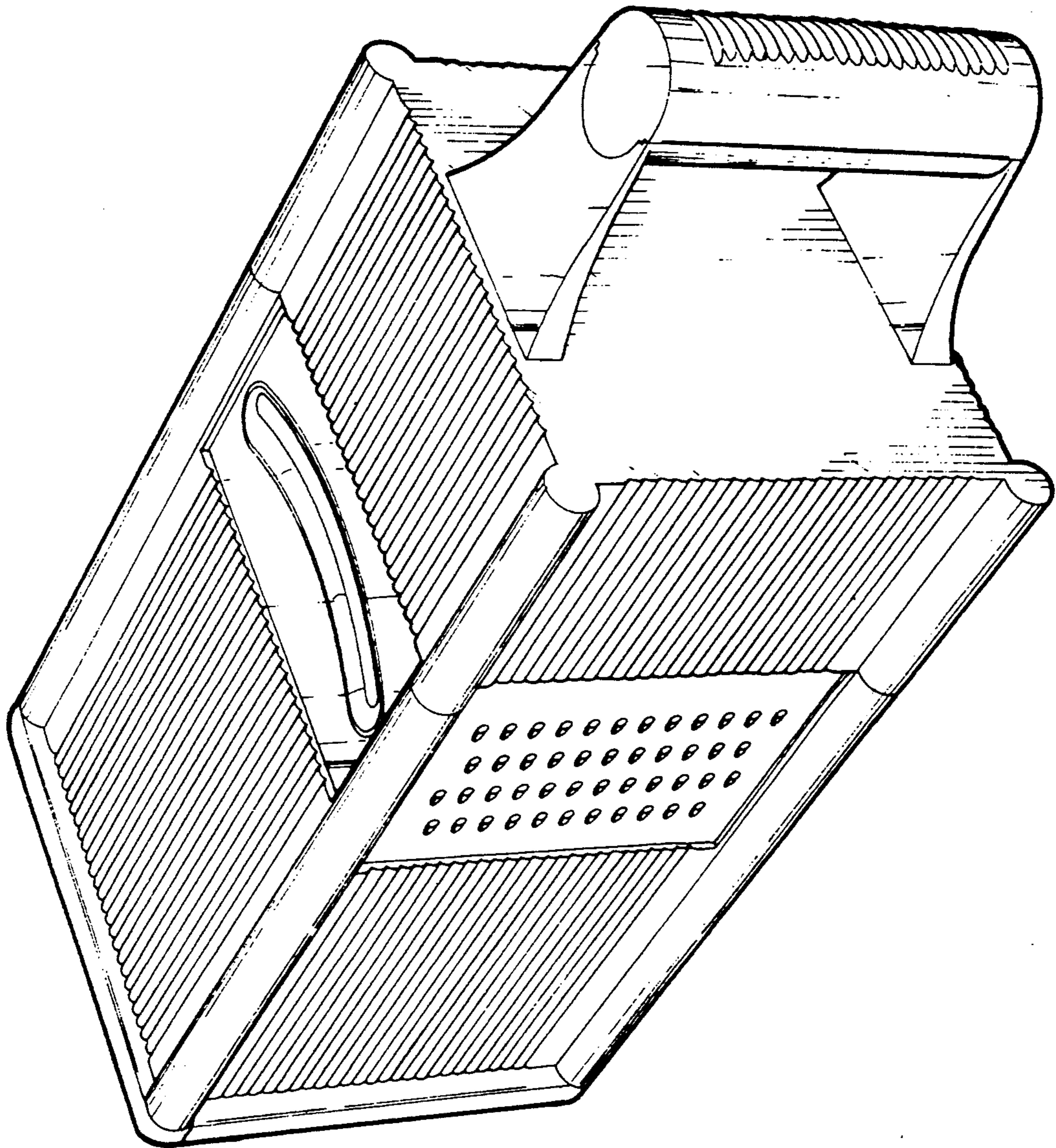


FIG 7

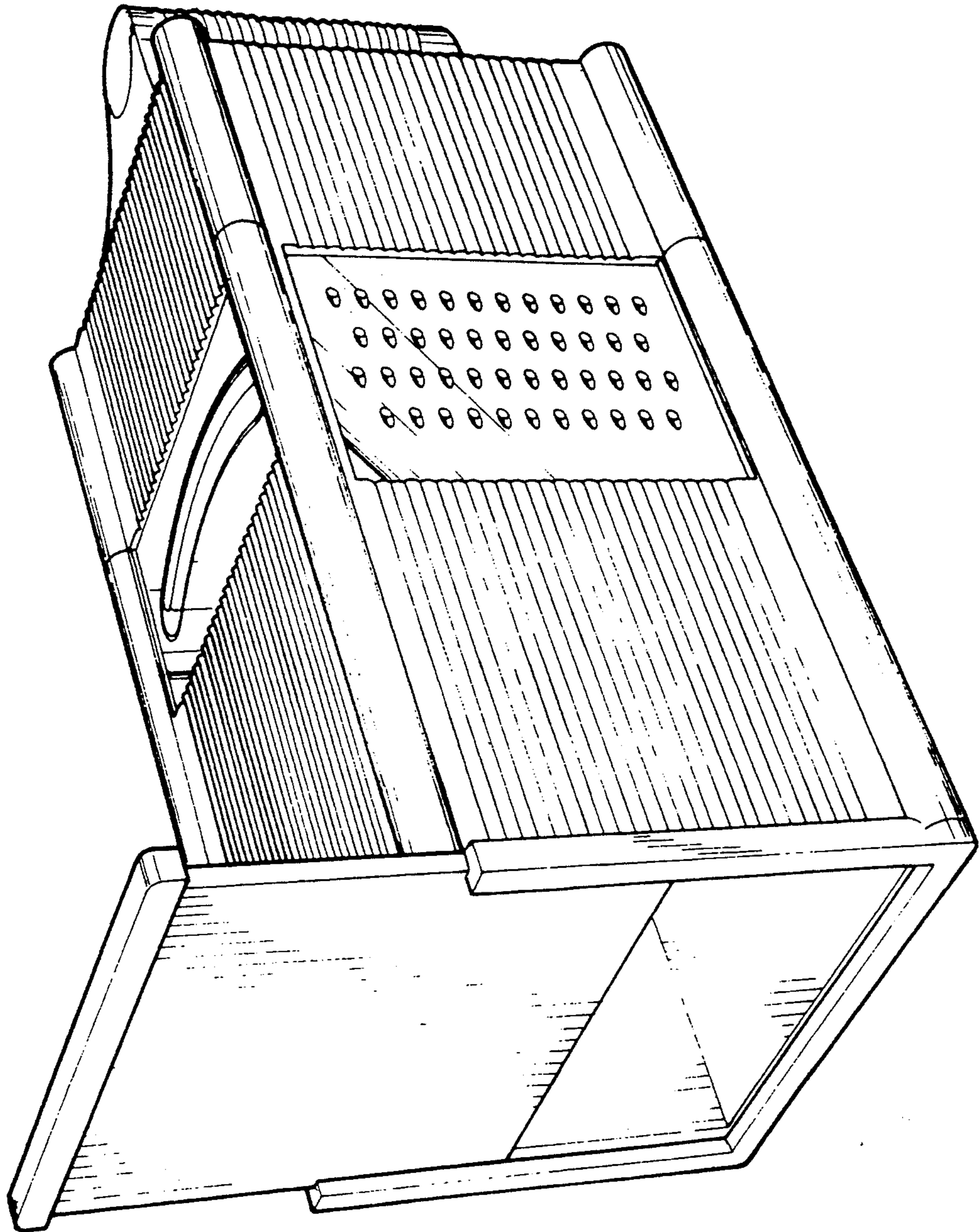


FIG 8