



US00D343098S

United States Patent [19]

[11] Patent Number: **Des. 343,098**

Shun

[45] Date of Patent: **** Jan. 11, 1994**

[54] **GRATING TOOL**

4,928,893 5/1990 Prindle 241/273.2 X

[75] Inventor: **So Shun, Kowloon, Hong Kong**

OTHER PUBLICATIONS

[73] Assignee: **Ki Mee Metal & Plastic Factory Limited, Hong Kong**

Signatures, Jan. 13, 1992, Grater.
HKE, May 1981, p. 387, Grater, bottom, right corner.

[*] Notice: The portion of the term of this patent subsequent to Jul. 27, 2007 has been disclaimed.

Primary Examiner—Terry A. Wallace
Attorney, Agent, or Firm—Wood, Herron & Evans

[**] Term: **14 Years**

[57] **CLAIM**

The ornamental design for a grating tool, as shown and described.

[21] Appl. No.: **635,779**

[22] Filed: **Dec. 28, 1990**

DESCRIPTION

[30] **Foreign Application Priority Data**

Oct. 5, 1990 [GB] United Kingdom 2010066

[52] U.S. Cl. **D7/678**

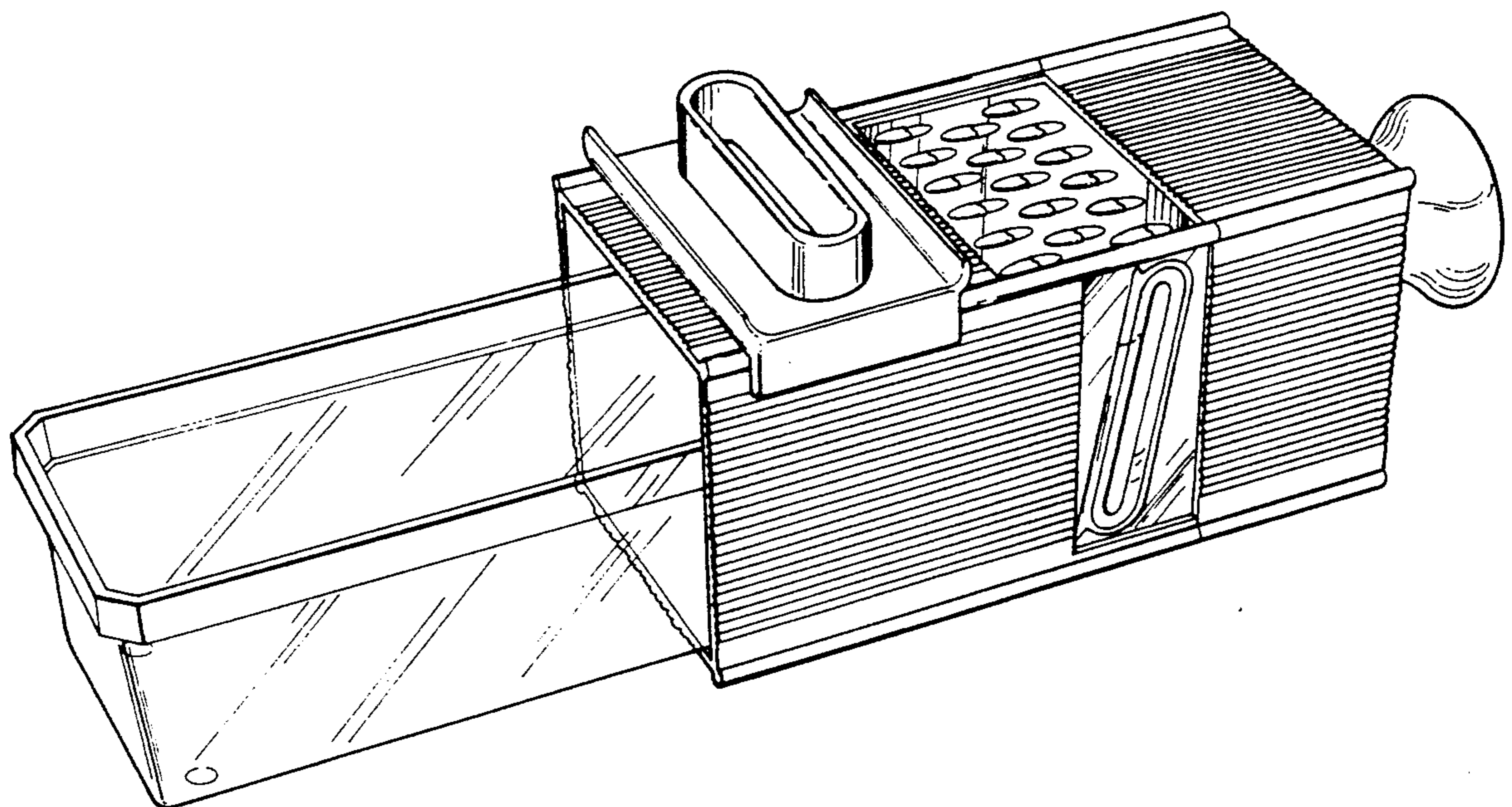
[58] Field of Search **D7/381, 385, 669, 678;**
241/95, 100, 168, 273.1-4

FIG. 1 is a top plan view of a grater showing my new design;
FIG. 2 is a right side elevational view thereof;
FIG. 3 is a front elevational view thereof;
FIG. 4 is a rear elevational view thereof;
FIG. 5 is a perspective view thereof in an alternate position;
FIG. 6 is a bottom plan view thereof in an alternate position; and,
FIG. 7 is a top plan view thereof in an alternate position.

[56] **References Cited**

U.S. PATENT DOCUMENTS

D. 167,270 7/1952 Marcus D7/678
4,212,431 7/1980 Doyal 241/273.1 X



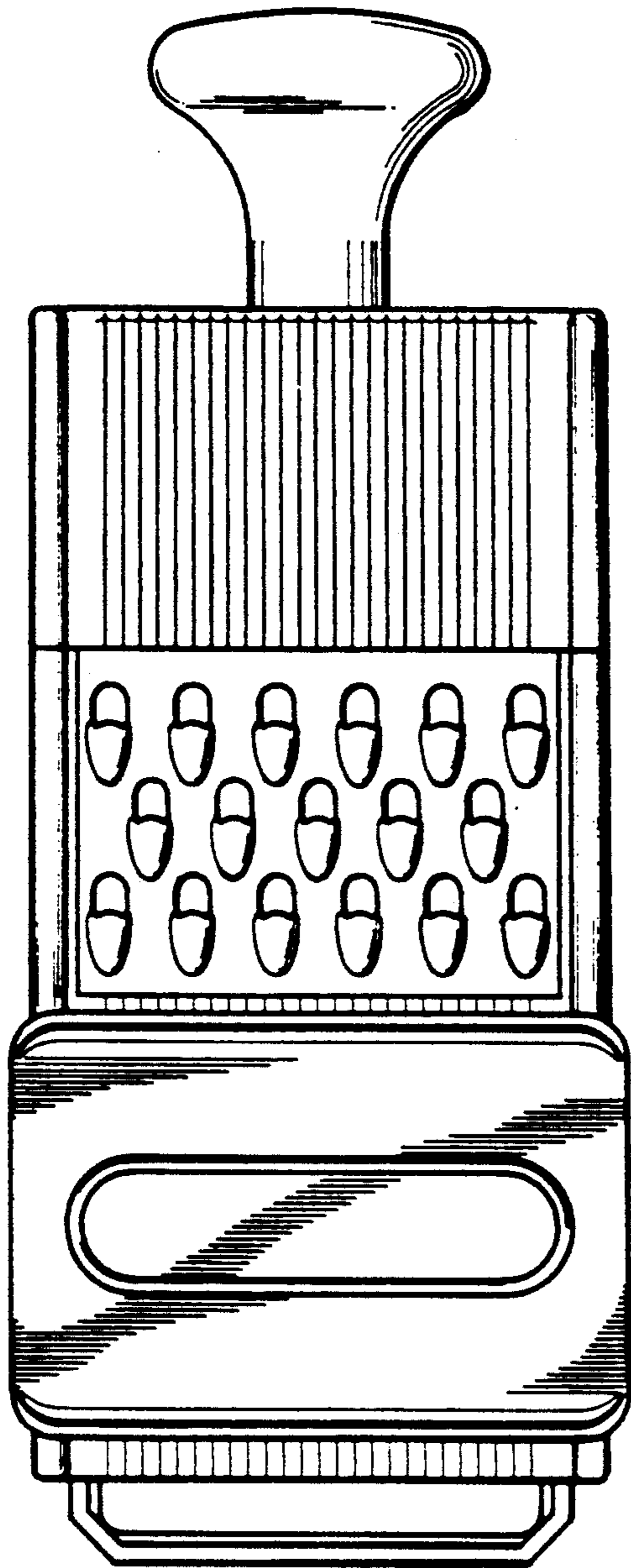


FIG. 1

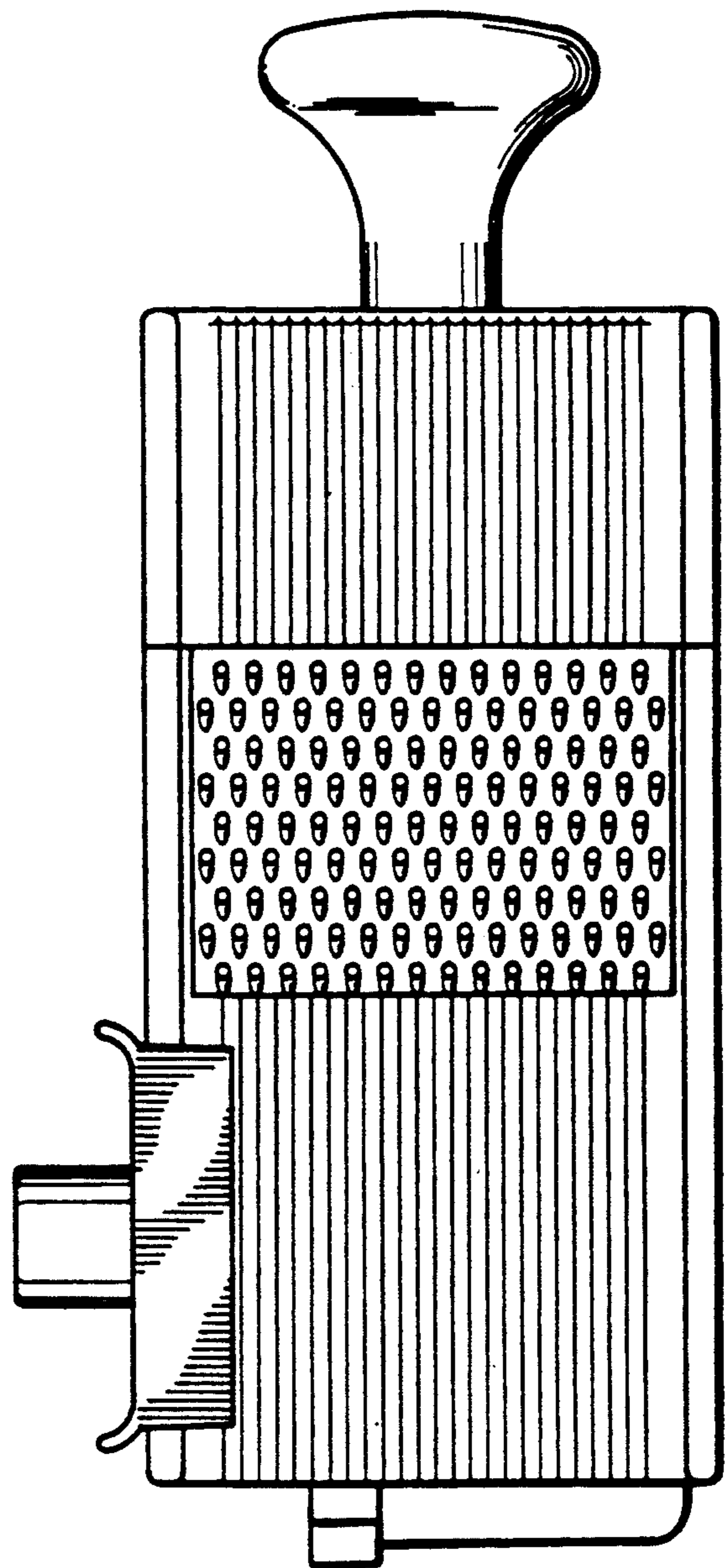


FIG. 2

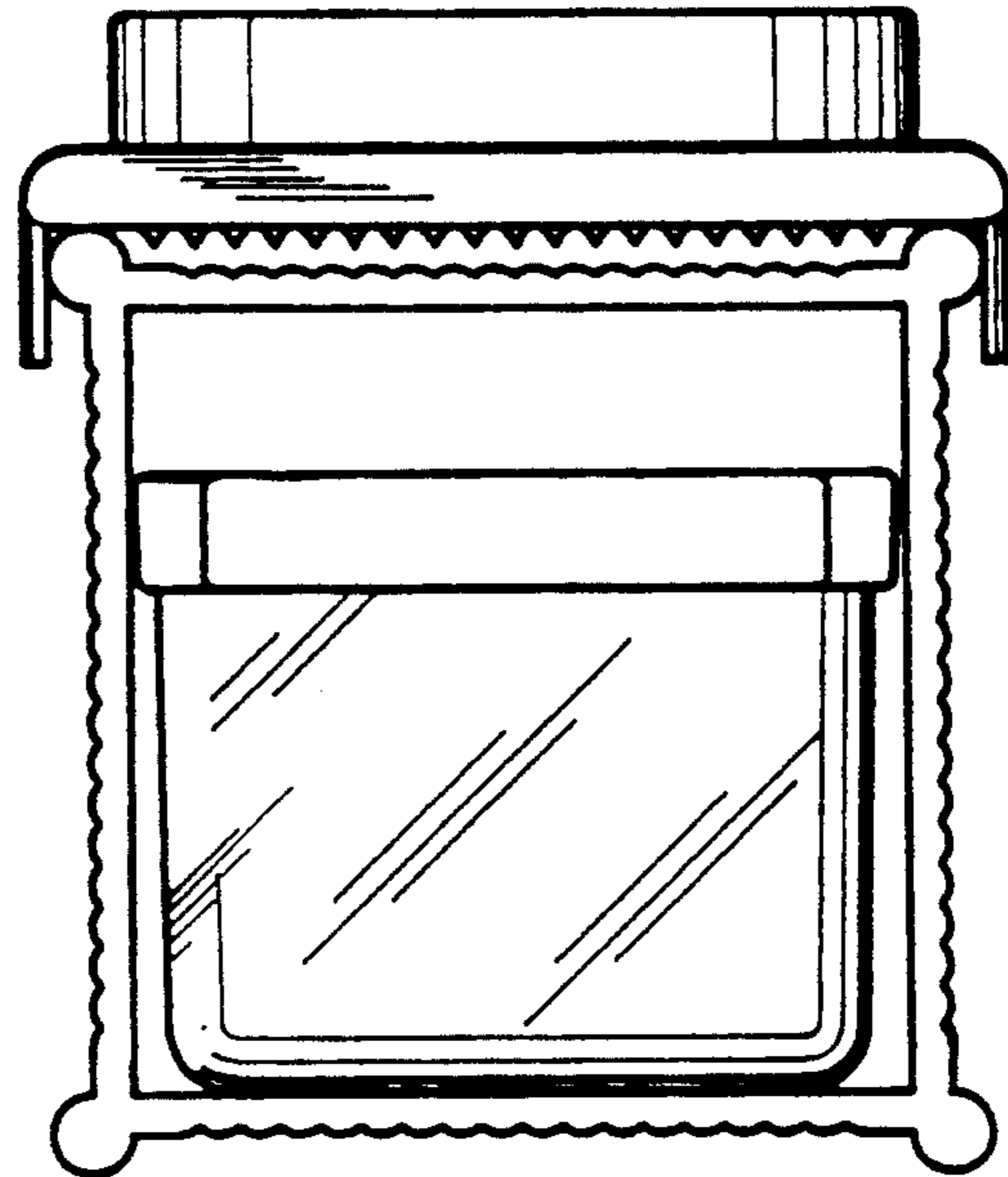


FIG. 3

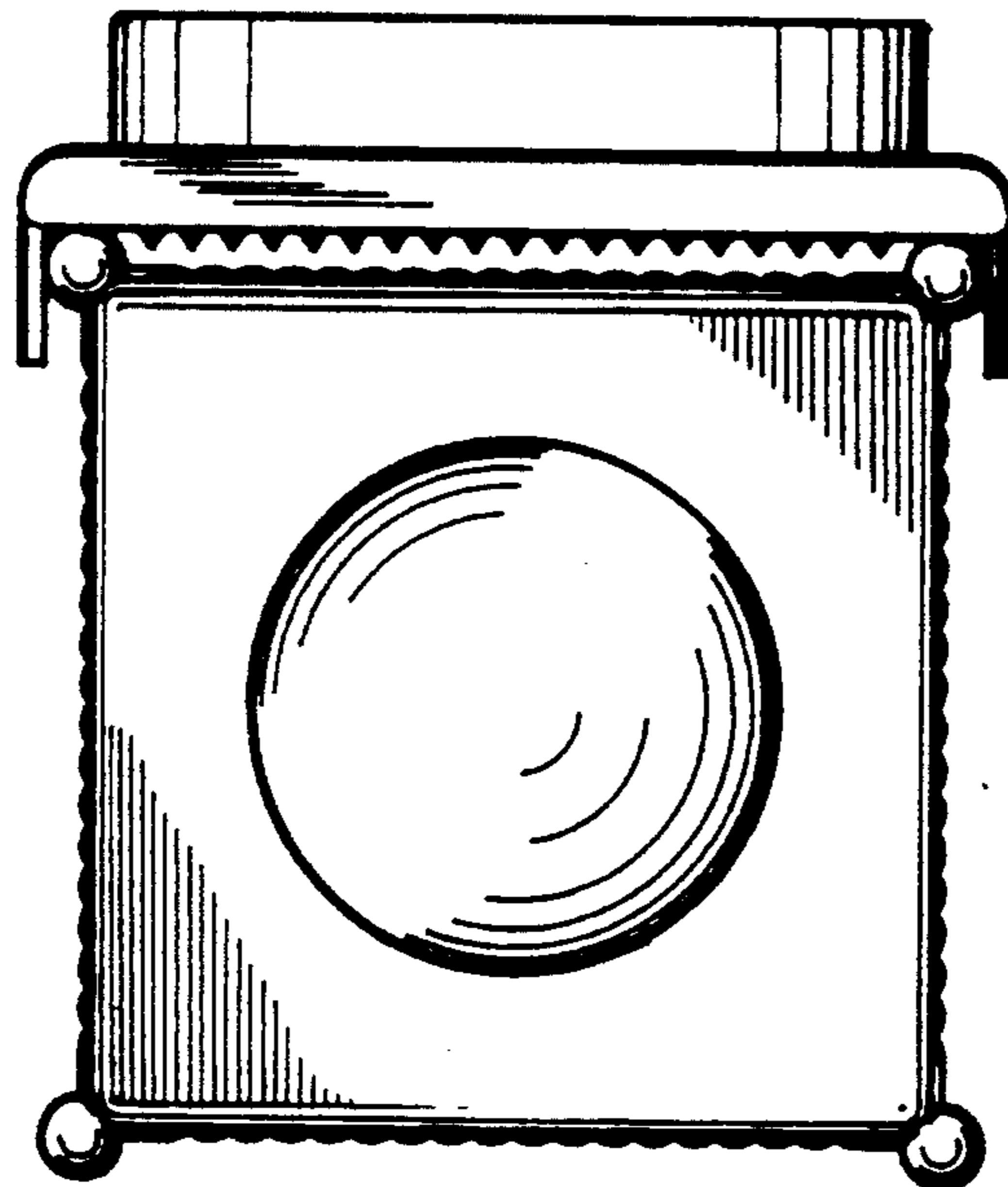


FIG. 4

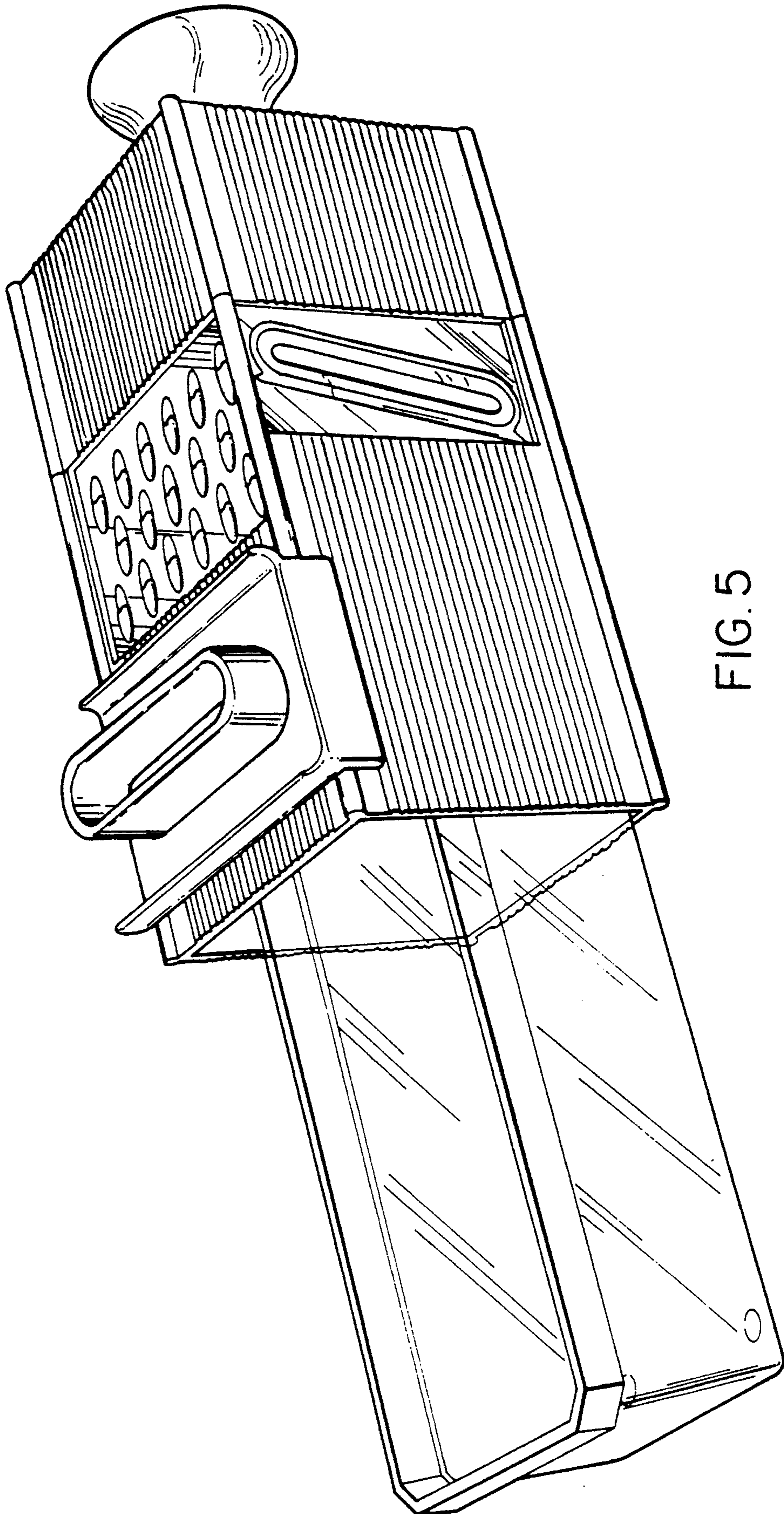


FIG. 5

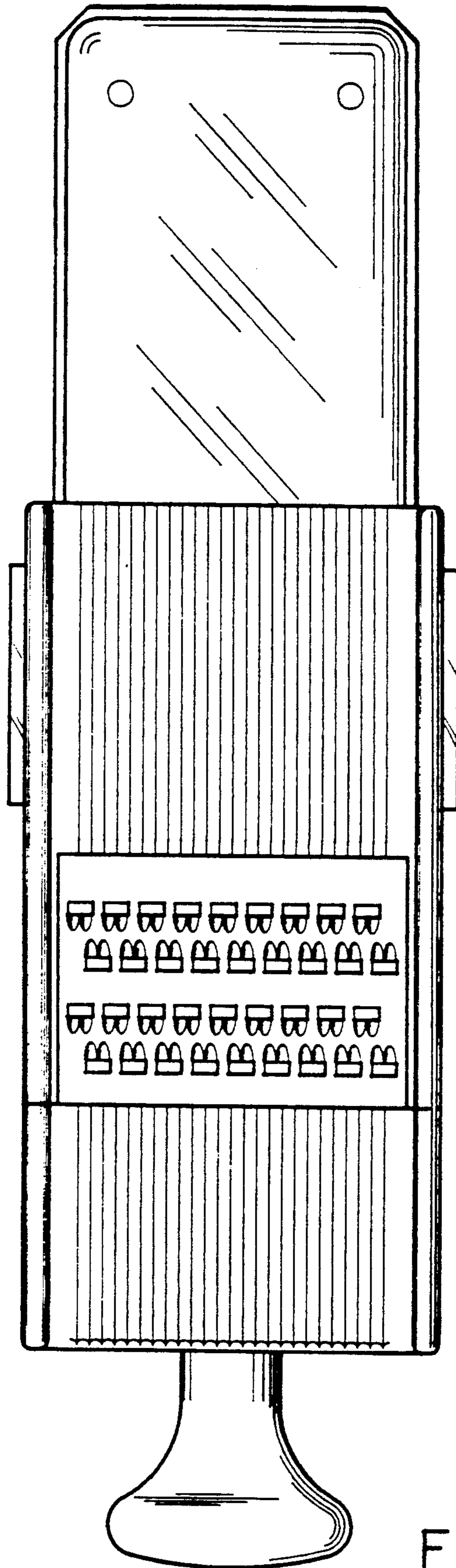


FIG. 6

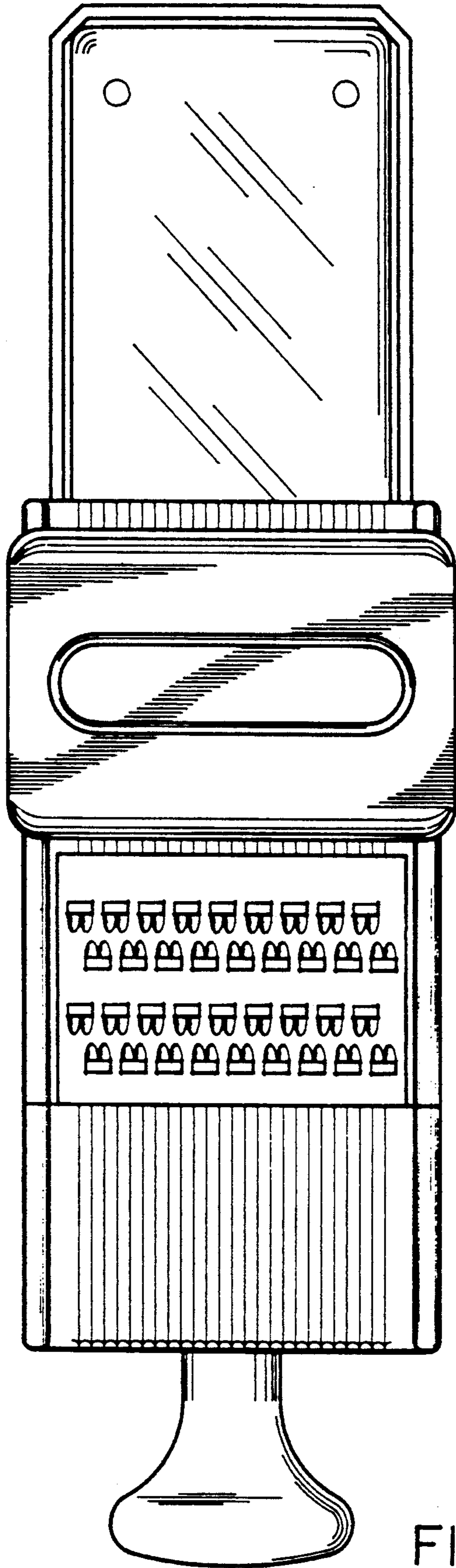


FIG. 7