



US00D343097S

# United States Patent [19]

[11] Patent Number: **Des. 343,097**

Cesari et al.

[45] Date of Patent: **\*\* Jan. 11, 1994**

[54] **JUICER**

[56]

### References Cited

#### U.S. PATENT DOCUMENTS

[75] Inventors: **Richard A. Cesari; Robert D. Lamson,**  
both of Seattle; **Robert G. Harrison,**  
Poulsbo, all of Wash.

D. 318,402 7/1991 Barrault ..... D7/665  
D. 333,595 3/1993 Lamson et al. .... D7/665  
3,575,223 4/1971 Hickel et al. .... 99/501

[73] Assignee: **Trillium Health Products, Inc.,**  
Seattle, Wash.

*Primary Examiner*—Terry A. Pfeffer  
*Attorney, Agent, or Firm*—Hughes & Multer

[\*\*] Term: **14 Years**

[57]

### CLAIM

The ornamental design for a juicer, as shown.

[21] Appl. No.: **821,549**

### DESCRIPTION

[22] Filed: **Jan. 15, 1992**

[52] U.S. Cl. .... **D7/665**

[58] Field of Search ..... **D7/374, 376, 381, 384,**  
**D7/665; 99/495, 501-506**

FIG. 1 is a perspective view of the juicer showing our new design;  
FIG. 2 is a front elevational view thereof;  
FIG. 3 is a rear elevational view thereof;  
FIG. 4 is a left side elevational view thereof;  
FIG. 5 is a right side elevational view thereof;  
FIG. 6 is a top plan view thereof; and,  
FIG. 7 is a bottom plan view thereof.

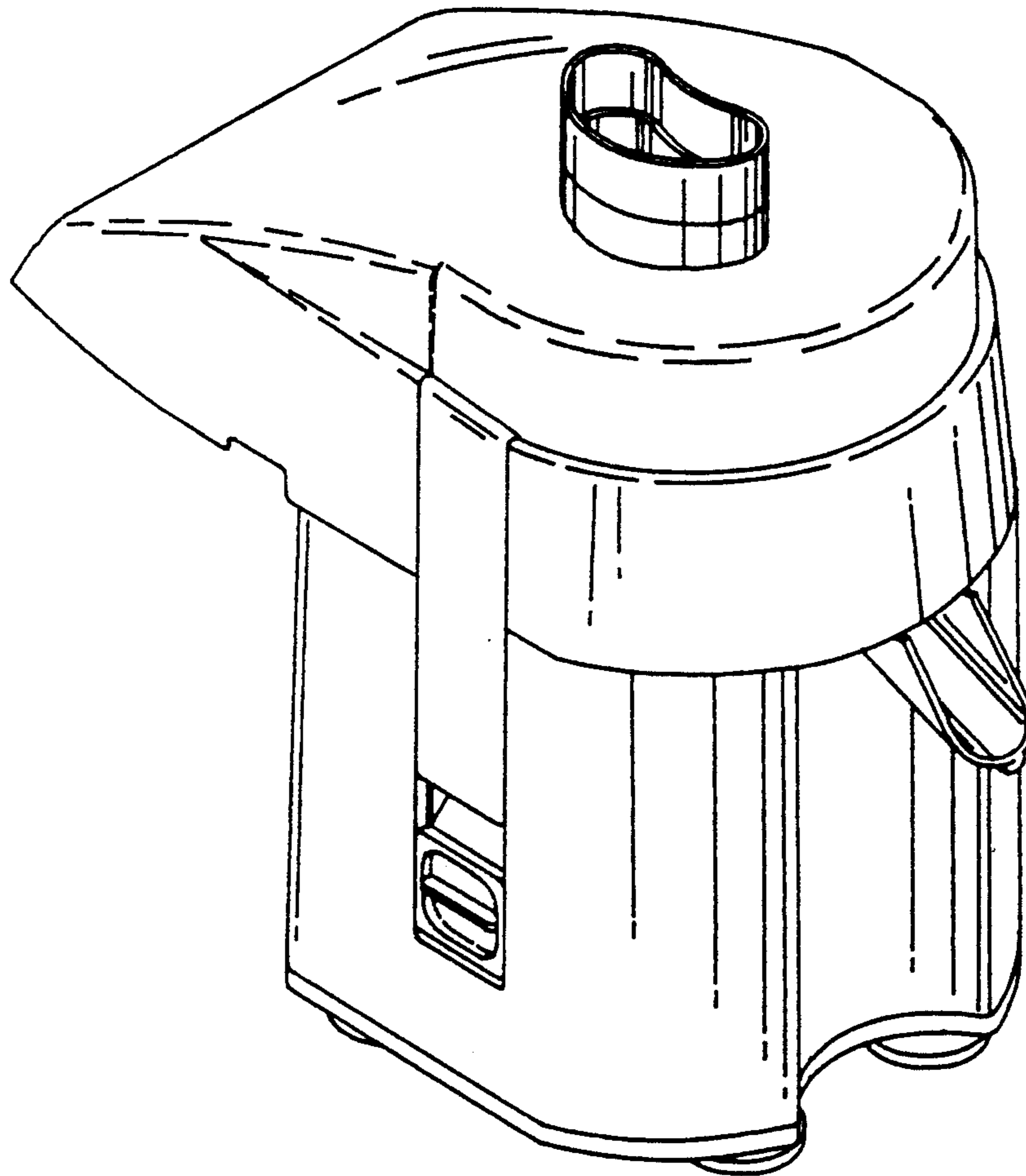


FIG. 1

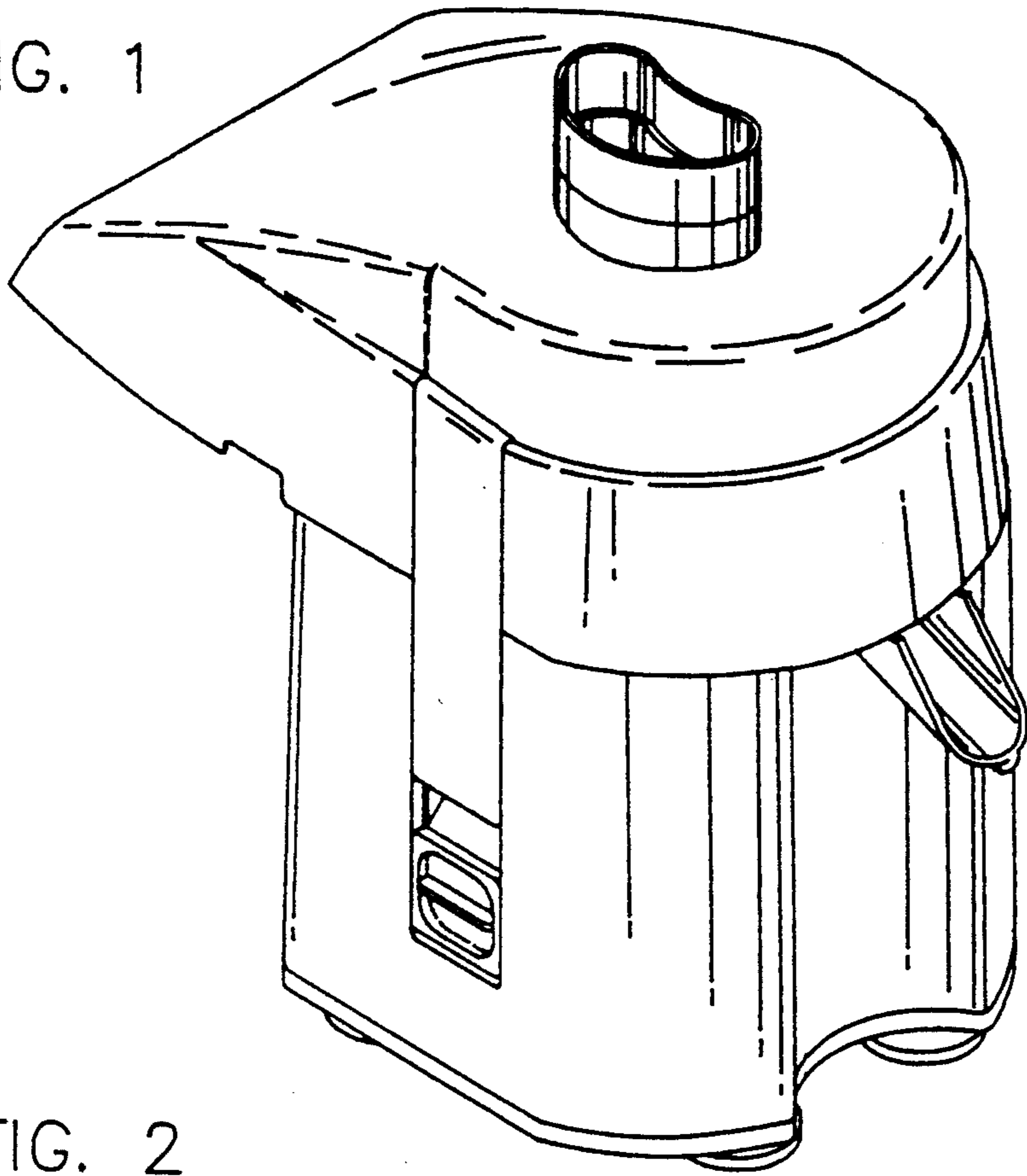


FIG. 2

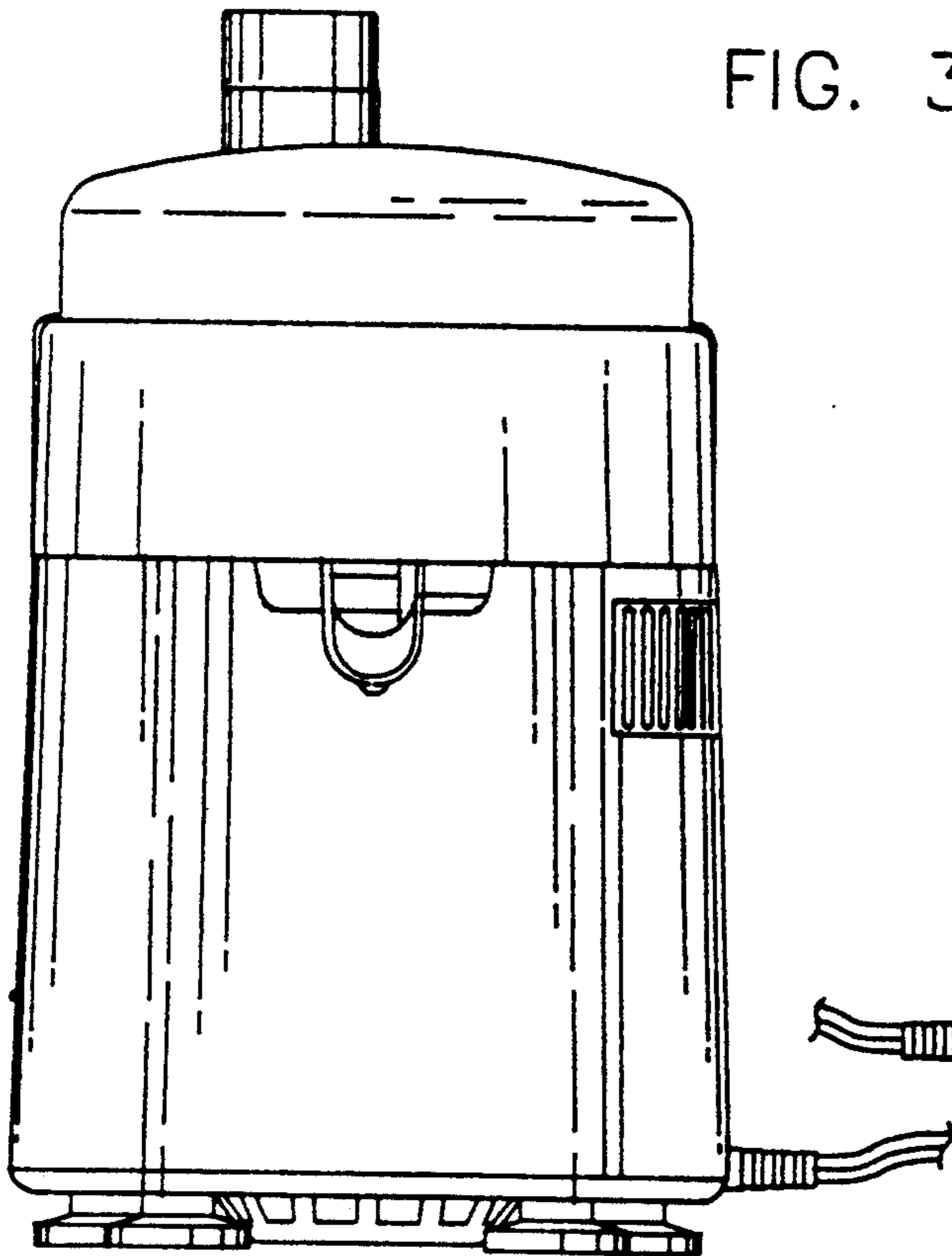
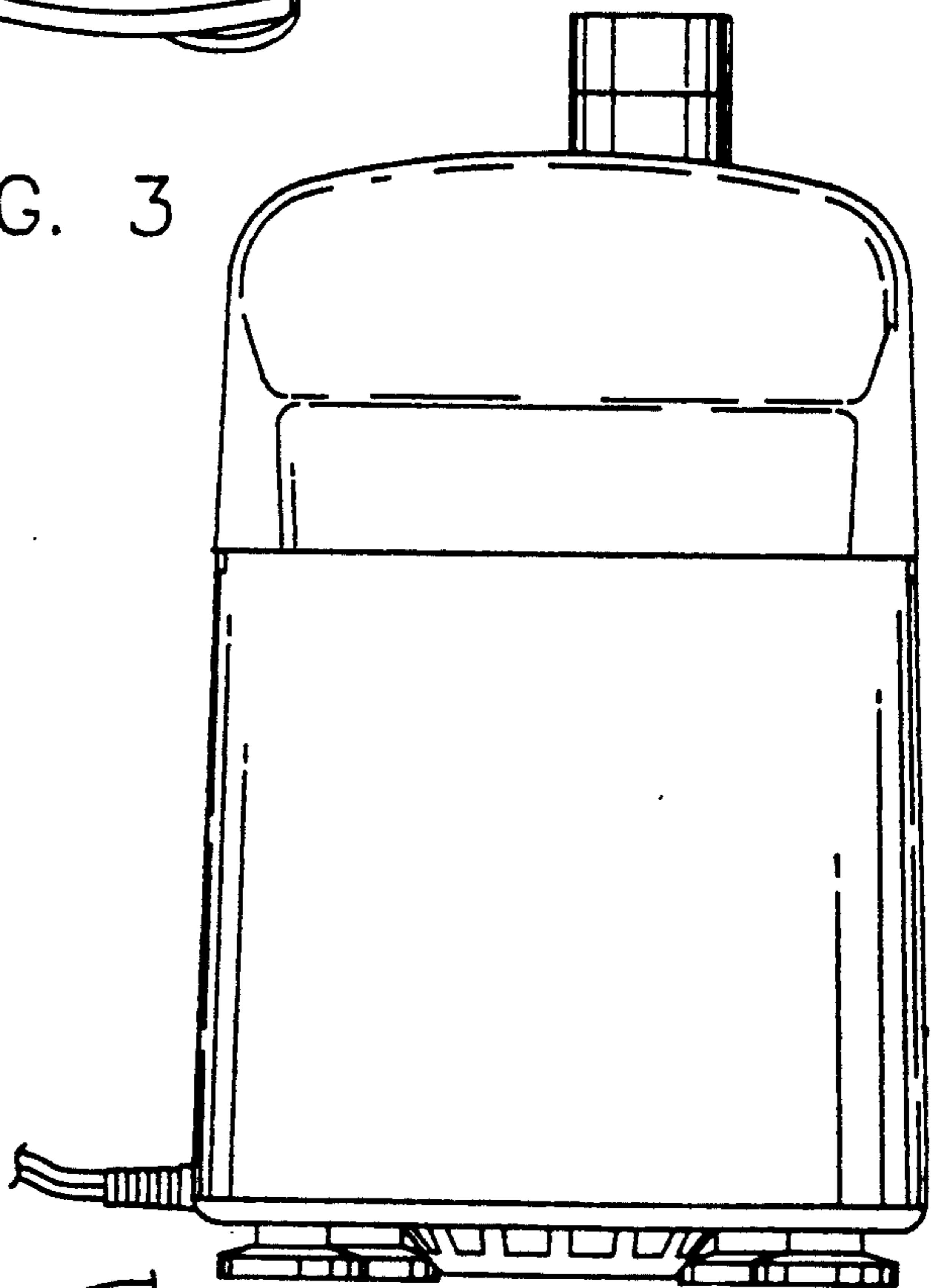


FIG. 3



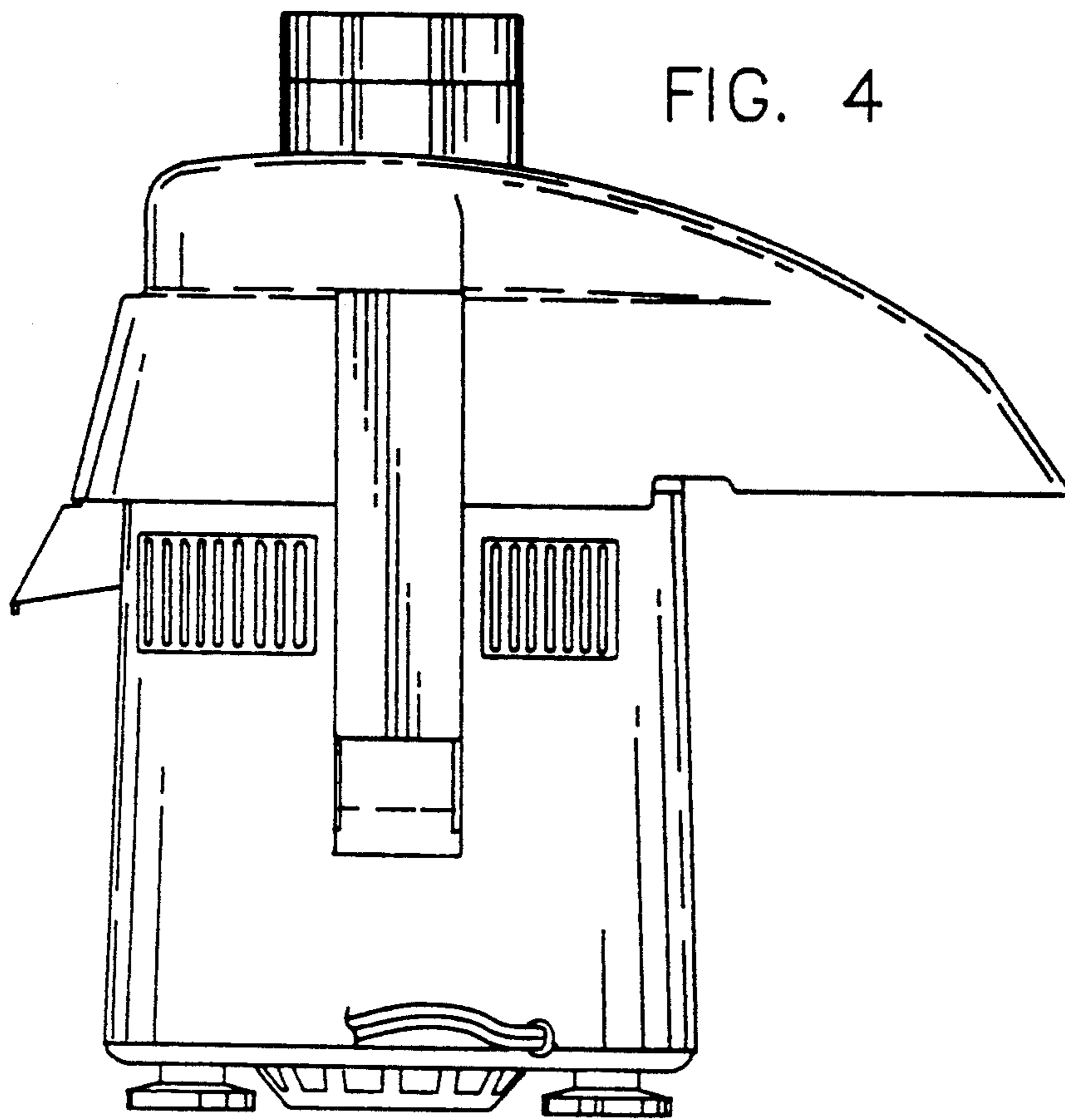


FIG. 4

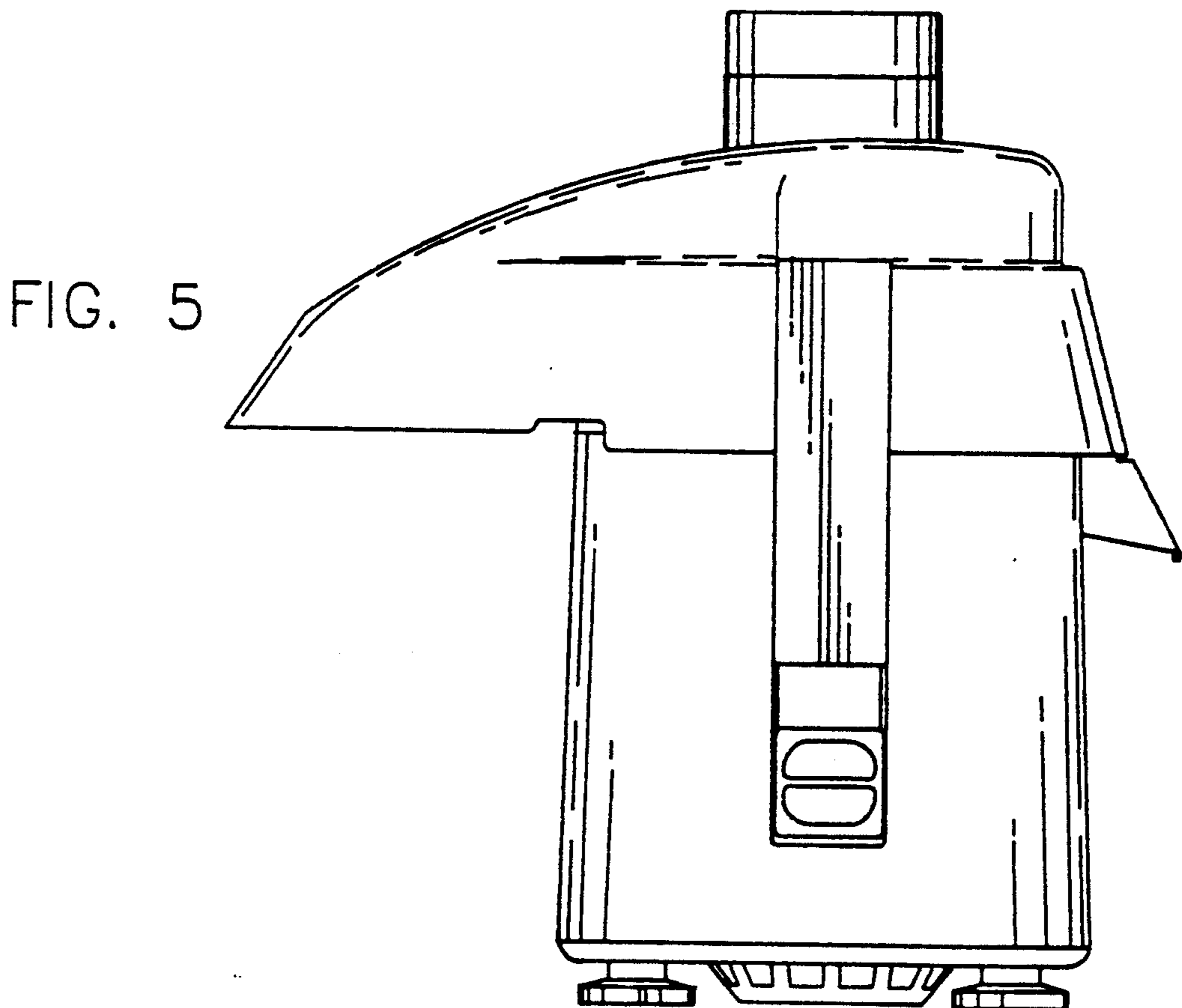


FIG. 5

FIG. 6

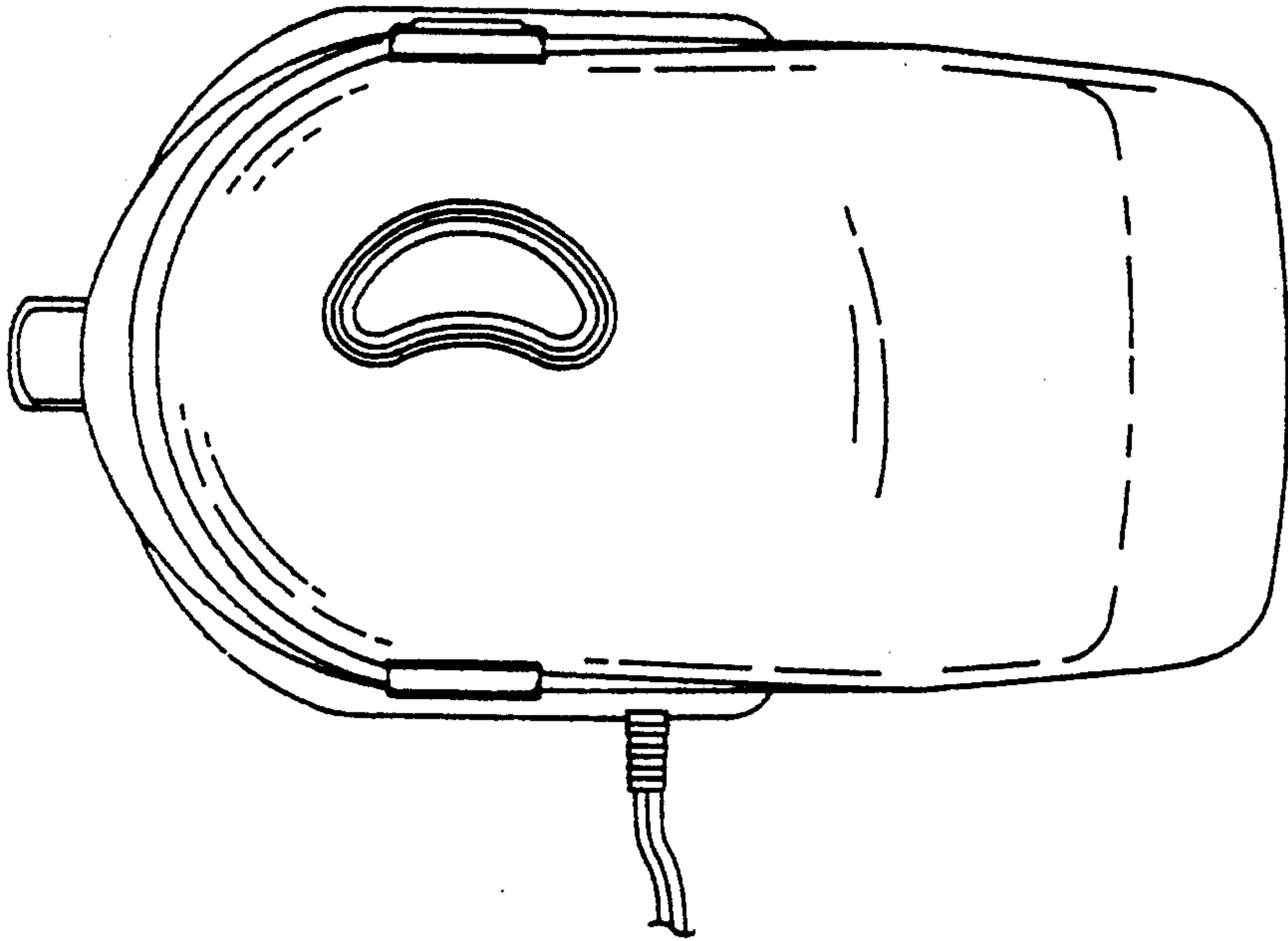


FIG. 7

