



US00D343096S

United States Patent [19]

[11] Patent Number: **Des. 343,096**

Lachapelle

[45] Date of Patent: **** Jan. 11, 1994**

[54] HOLDER FOR CHOPSTICKS

[76] Inventor: **Will Lachapelle, 2514 - 25th Ave.
West, Seattle, Wash. 98199**

[**] Term: **14 Years**

[21] Appl. No.: **707,397**

[22] Filed: **May 30, 1991**

[52] U.S. Cl. **D7/642; D7/401.2**

[58] Field of Search **D7/642, 387, 401.2;
30/147-50; 294/3, 8.5, 99.2**

[56] References Cited

U.S. PATENT DOCUMENTS

448,155	3/1891	Merrill	294/99.2
3,186,749	6/1965	Dawes	294/99.2
3,239,262	3/1966	Rines et al.	294/99.2
3,637,248	1/1972	Arita	294/99.2
4,199,180	4/1980	Kelly	294/99.2 X
4,721,334	1/1988	Nakatsu	294/99.2

FOREIGN PATENT DOCUMENTS

375553 10/1939 Italy 30/150
0009580 of 1909 United Kingdom 294/99.2

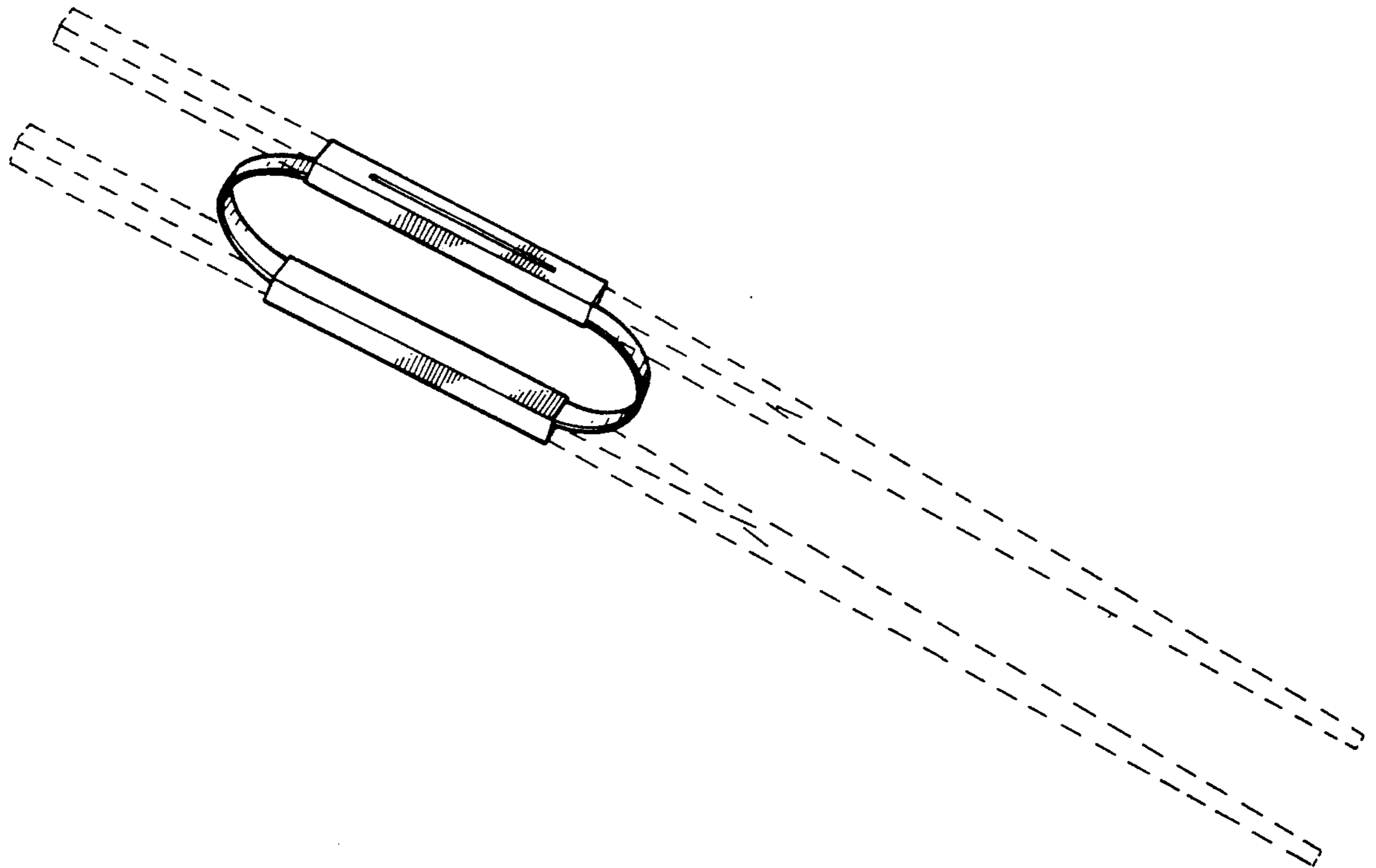
Primary Examiner—Nelson C. Holtje
Assistant Examiner—Caron D. Veynar
Attorney, Agent, or Firm—Tom Secrest

[57] CLAIM

The ornamental design for holder for chopsticks, as shown and described.

DESCRIPTION

FIG. 1 is a perspective view of a holder for chopsticks showing my new design;
FIG. 2 is a front elevational view, the rear elevational view being a mirror image thereof;
FIG. 3 is a right side elevational view, the left side elevational view being a mirror image thereof;
FIG. 4 is a top plan view, the bottom plan view being a mirror image thereof; and,
FIG. 5 is a perspective view thereof, the broken line showing of chopsticks is environmental only and forms no part of the claimed design.



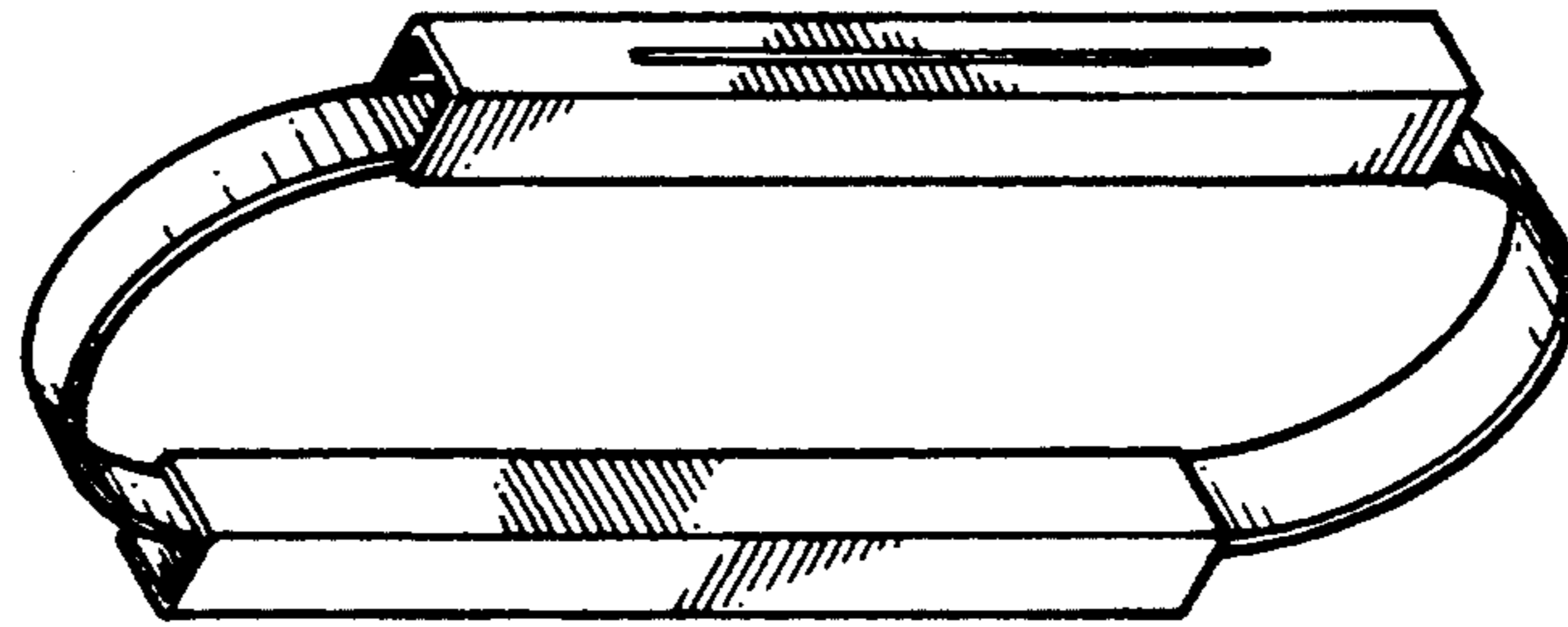


FIG. 1



FIG. 3



FIG. 4

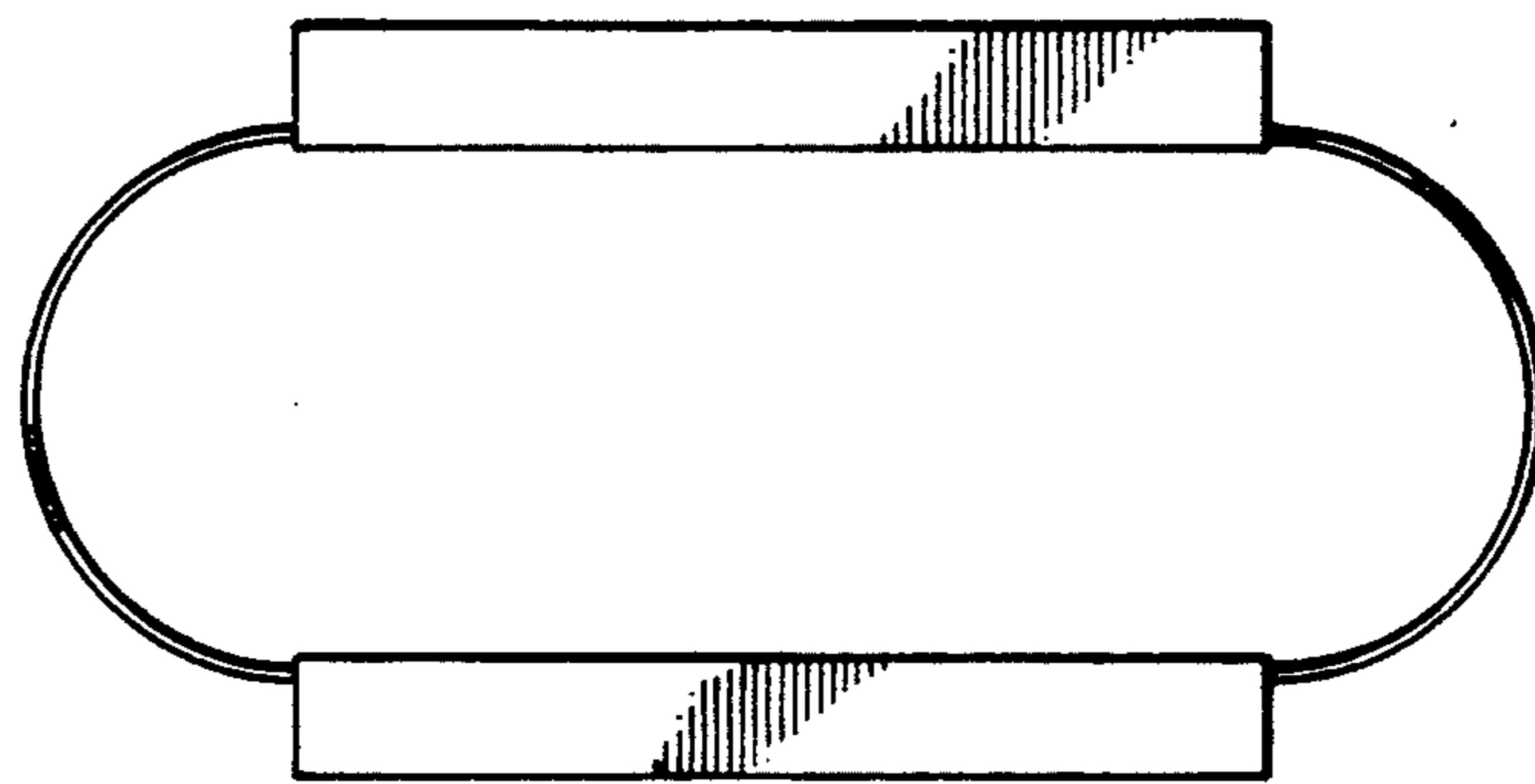


FIG. 2

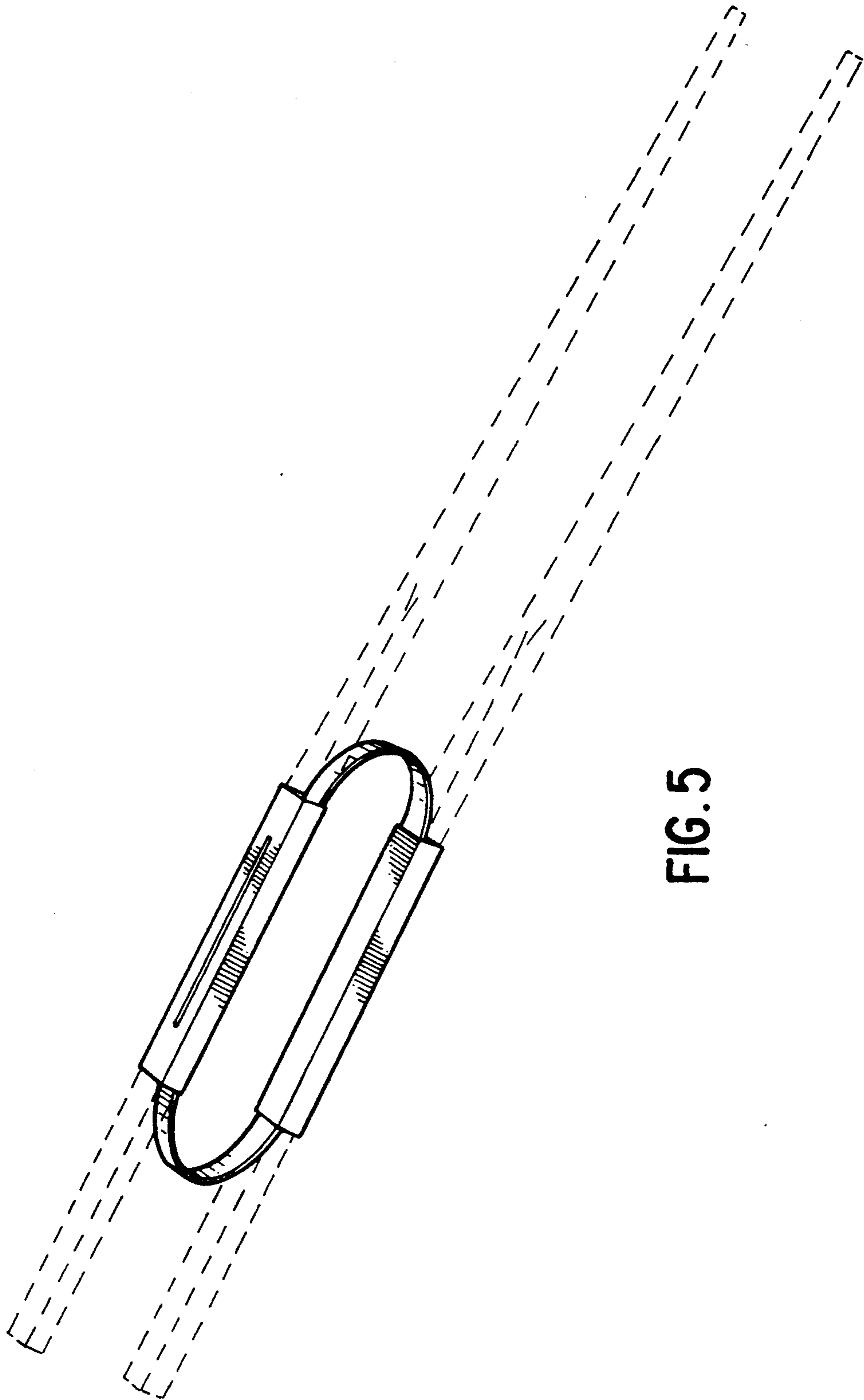


FIG. 5