



US00D343094S

United States Patent [19]

[11] Patent Number: **Des. 343,094**

Varney

[45] Date of Patent: **** Jan. 11, 1994**

[54] **SODA BOTTLE HOLDER**

4,486,043 12/1984 Rais 294/27.1
4,842,158 6/1989 Reyes, Jr. 220/742 X
5,183,169 2/1993 Gryzch 220/741 X

[76] Inventor: **James R. Varney, 3737 Graham
Sherron Rd., Wake Forest, N.C.
27587**

Primary Examiner—Terry A. Wallace
Attorney, Agent, or Firm—S. Michael Bender

[**] Term: **14 Years**

[57] **CLAIM**

[21] Appl. No.: **890,478**

The ornamental design for a soda bottle holder, as shown and described.

[22] Filed: **Jun. 1, 1992**

[52] U.S. Cl. **D7/622**

DESCRIPTION

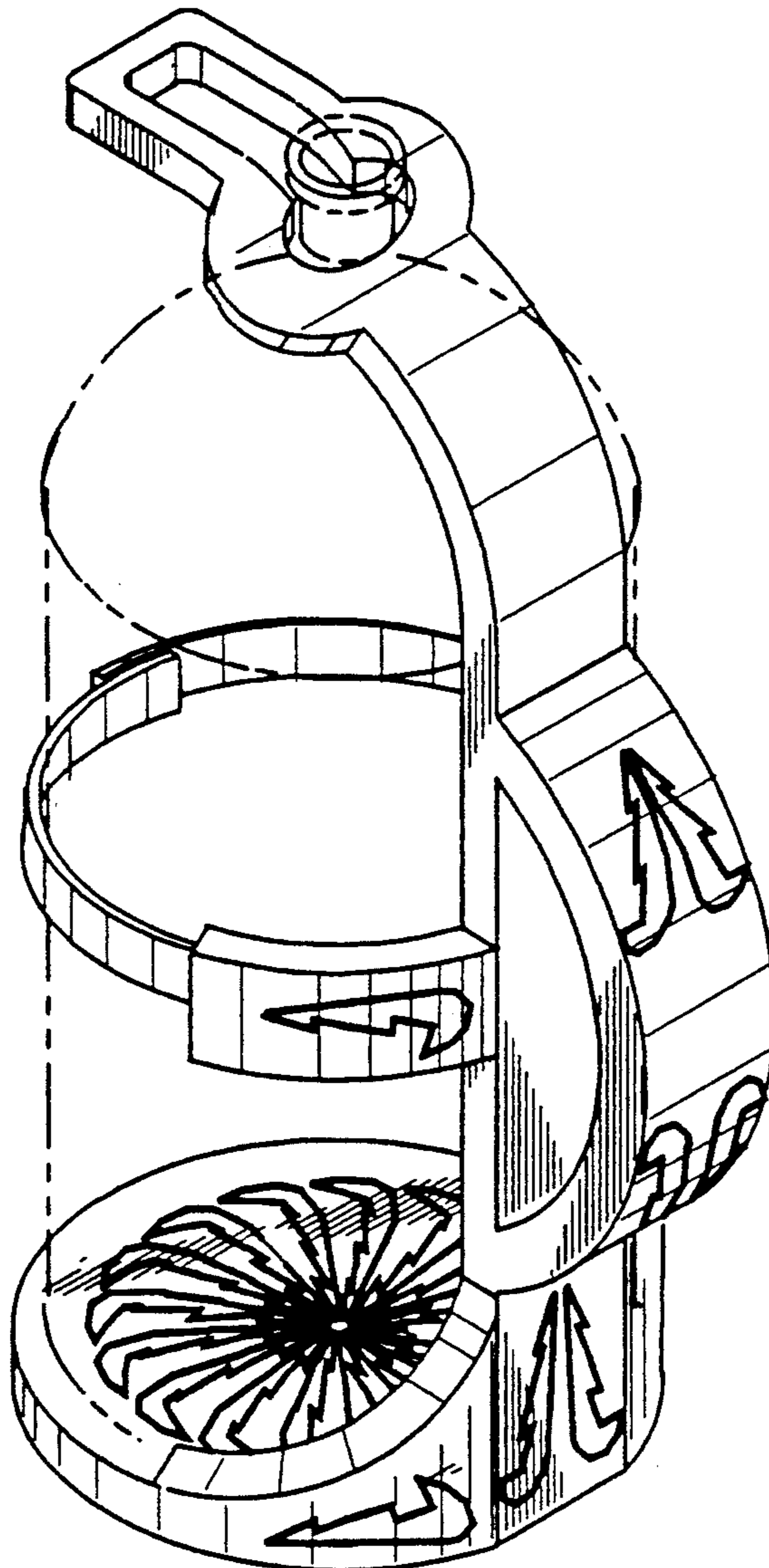
[58] Field of Search **D7/616-624;**
215/100 A; 211/71, 74; 220/737, 741-2; 294/27.1,
32, 33

FIG. 1 is a front elevational view of the soda bottle holder showing my new design;
FIG. 2 is a rear elevational view thereof;
FIG. 3 is a left side elevational view thereof;
FIG. 4 is a right side elevational view thereof;
FIG. 5 is a top plan view thereof;
FIG. 6 is a bottom plan view thereof; and,
FIG. 7 is a perspective view thereof, the bottle shown in broken lines for illustrative purposes only.

[56] **References Cited**

U.S. PATENT DOCUMENTS

D. 292,160 10/1987 Thomas D7/622
D. 309,072 7/1990 Golkar D7/622
4,379,578 4/1983 Schuler 294/33 X



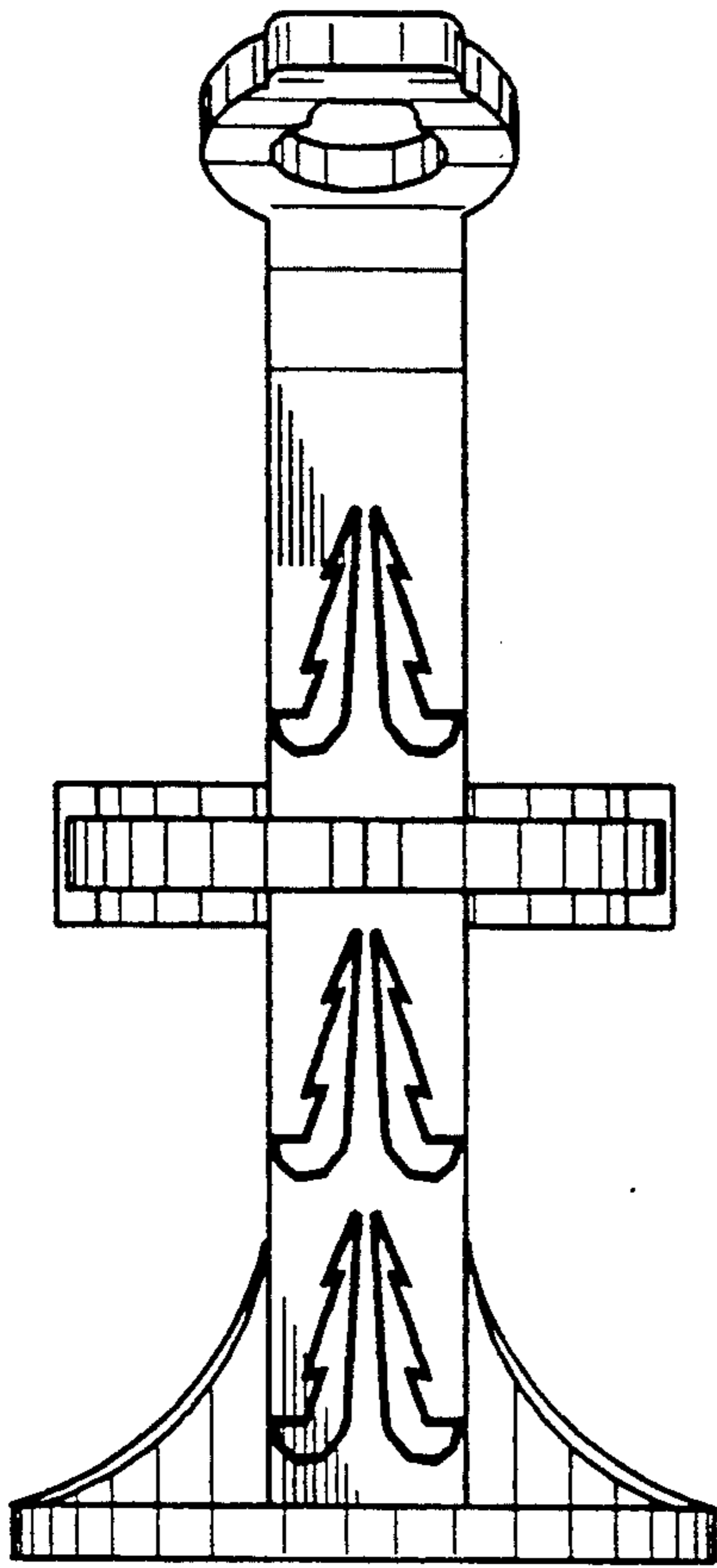


FIG. 1

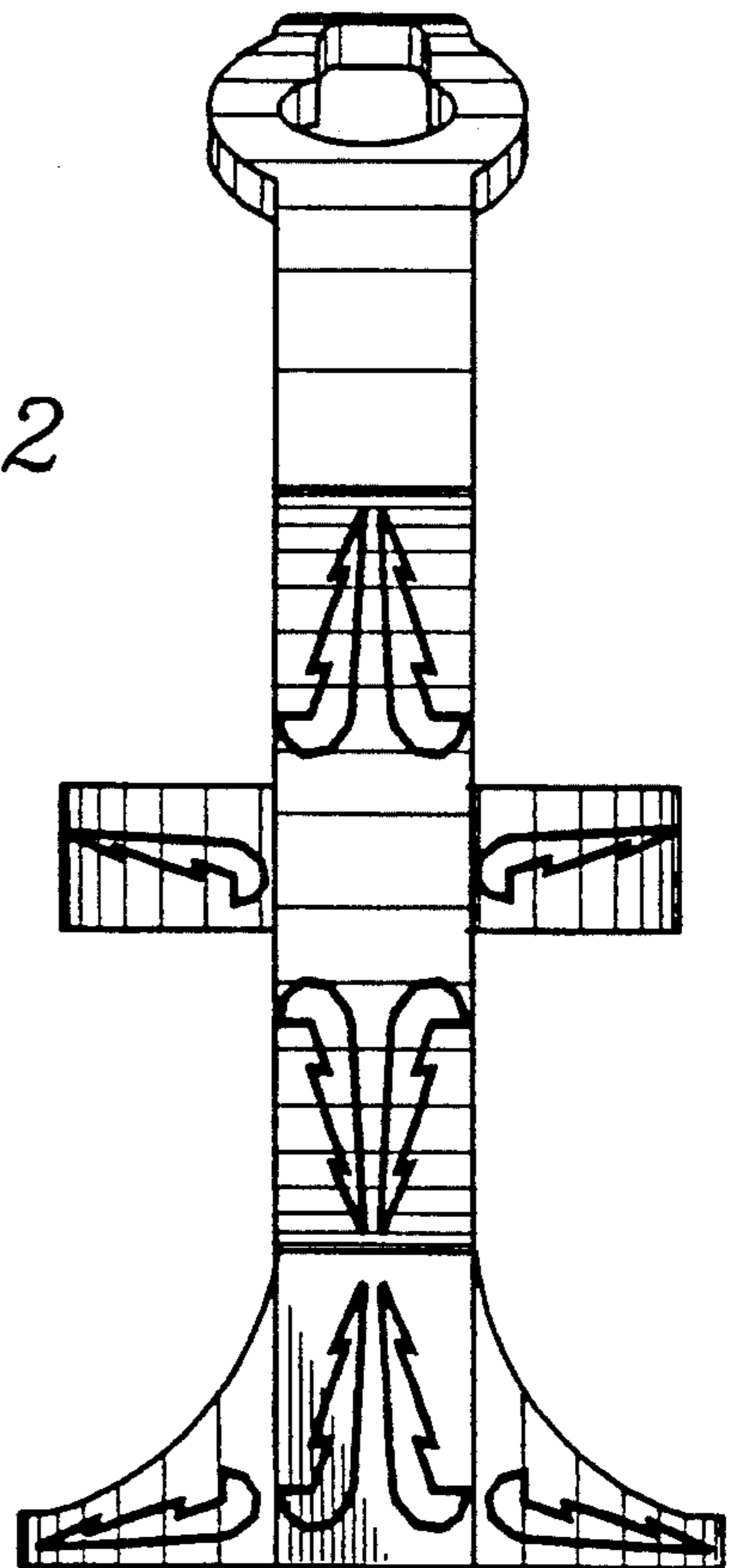


FIG. 2

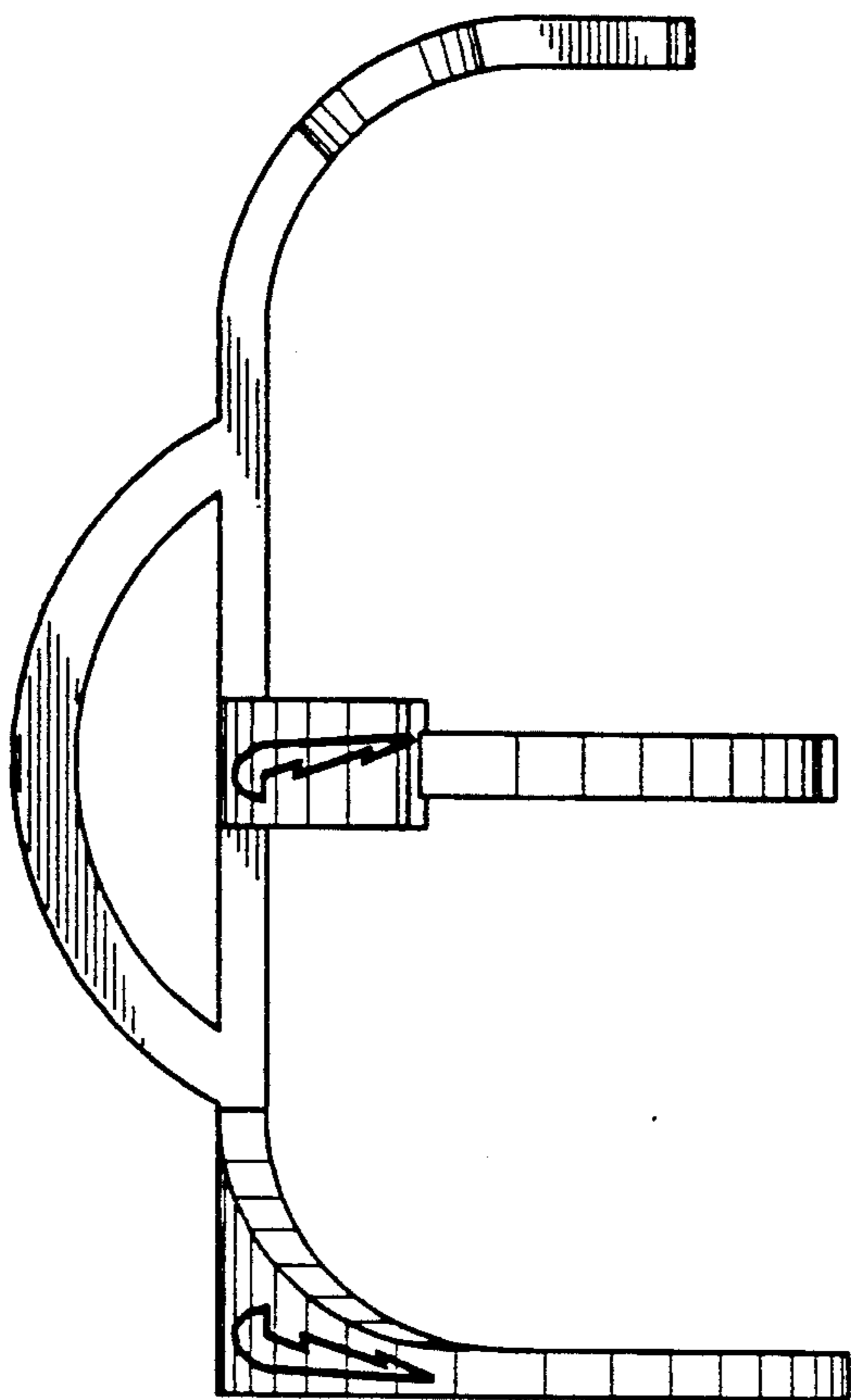
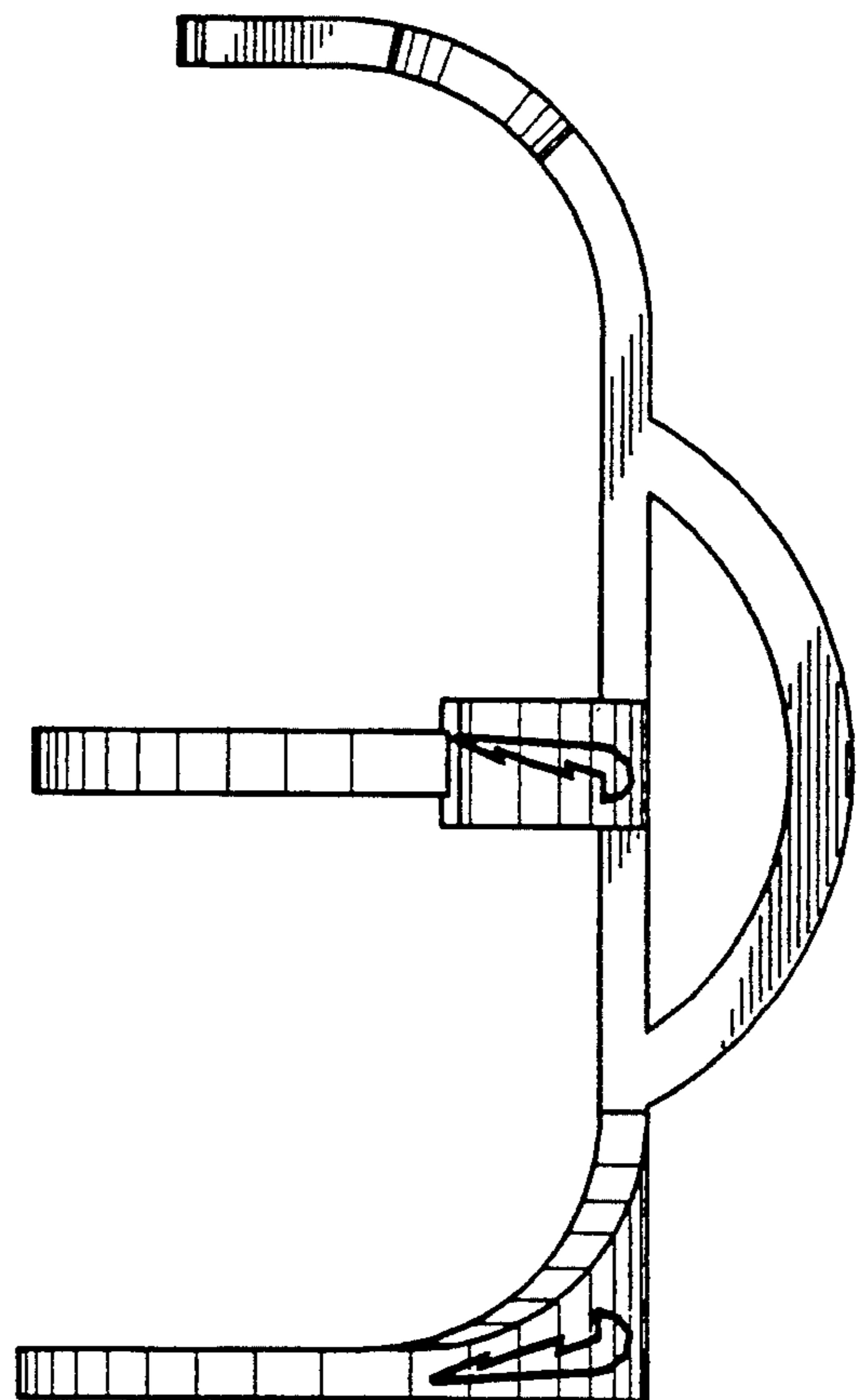


FIG. 3

FIG. 4



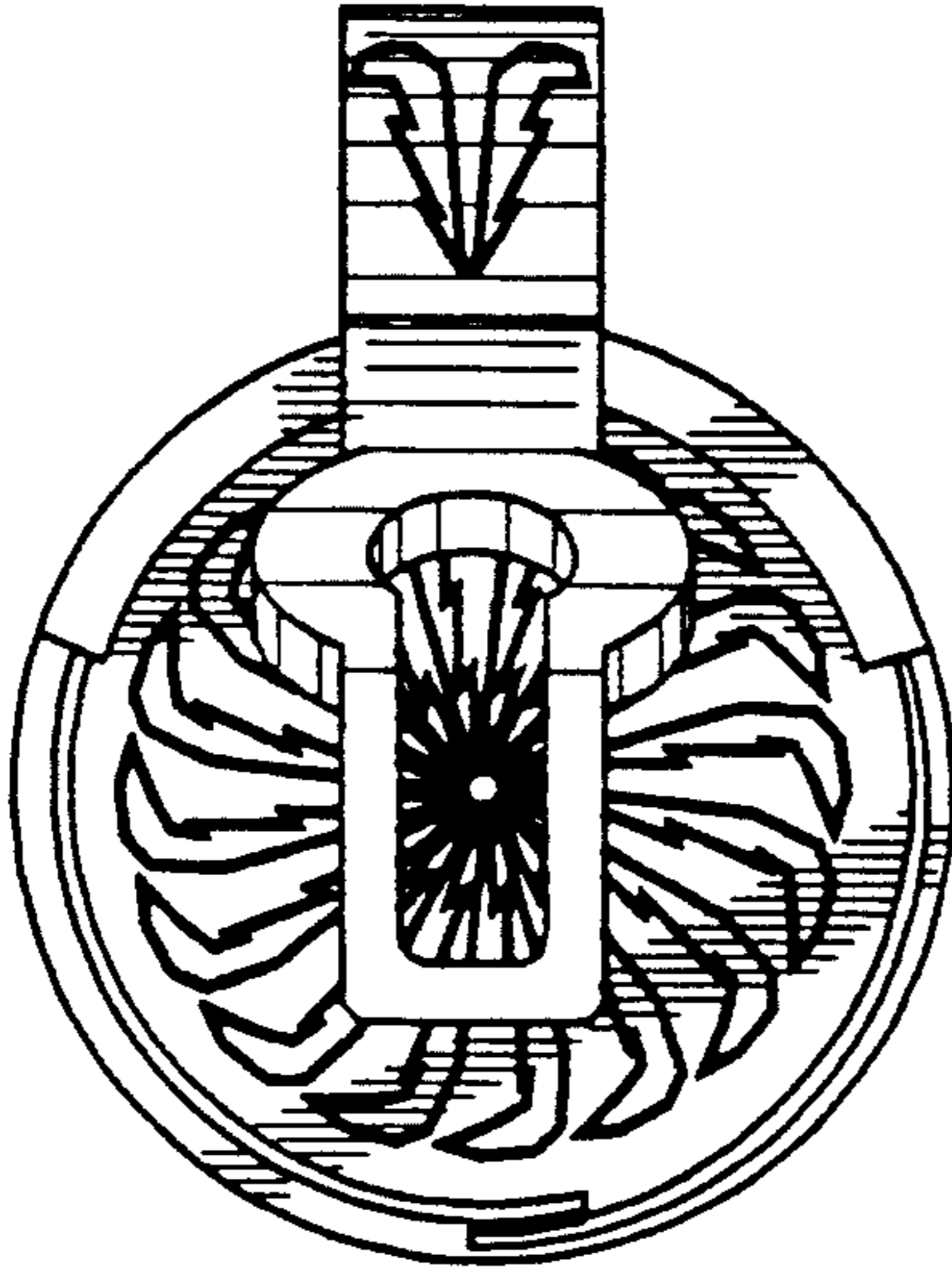


FIG. 5

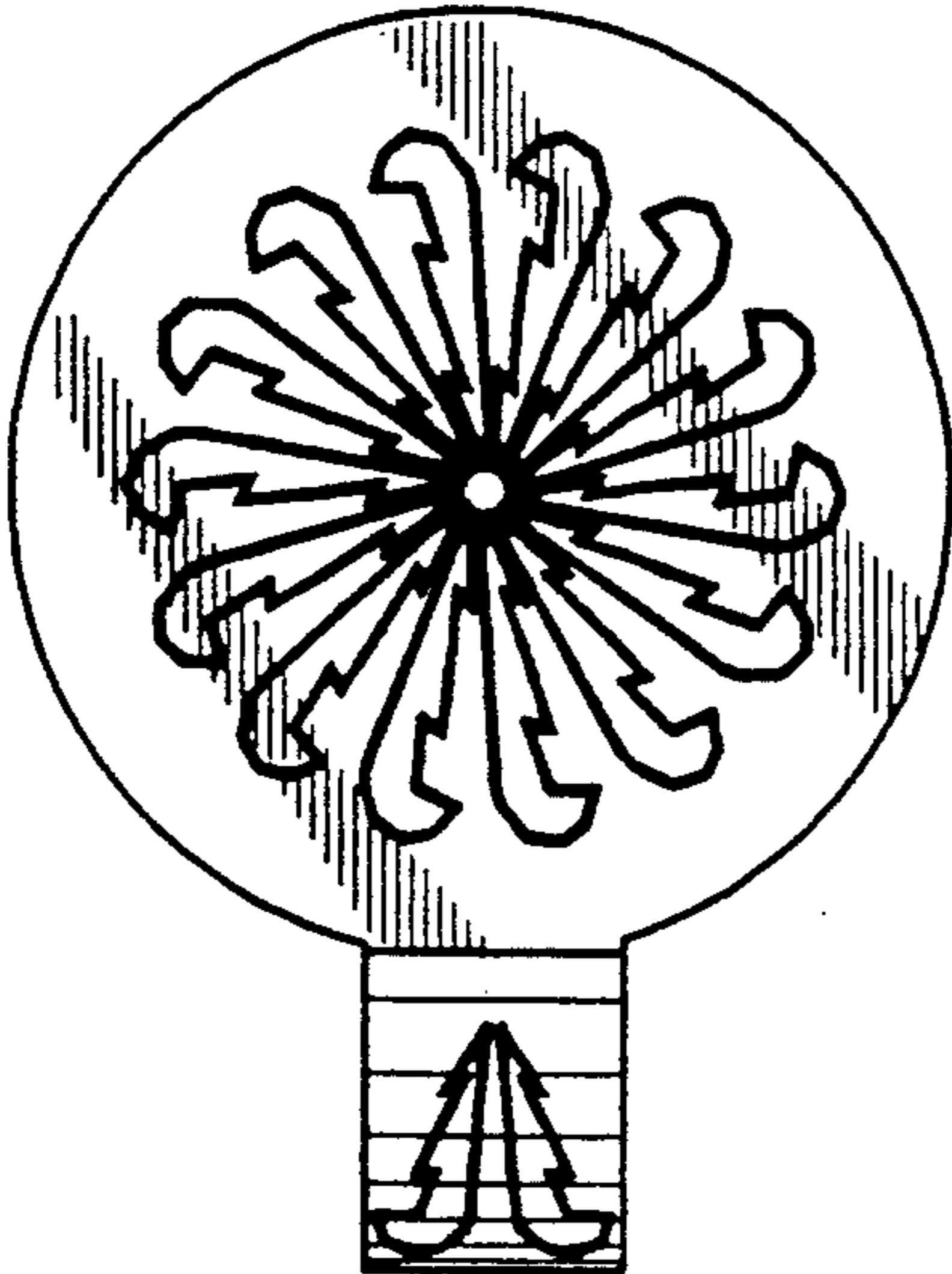


FIG. 6

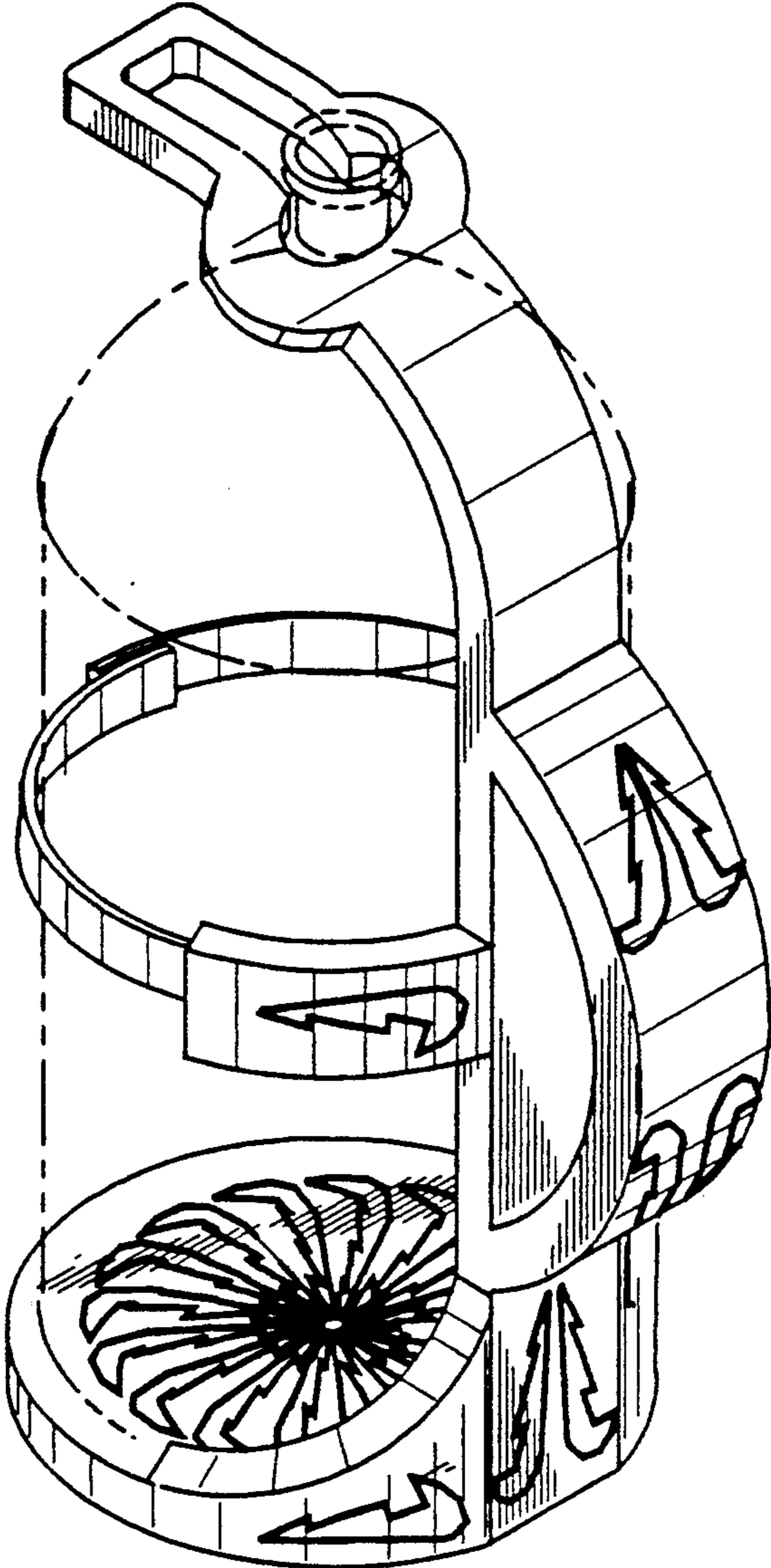


FIG. 7