



US00D343093S

# United States Patent [19]

[11] Patent Number: Des. 343,093

Sabin et al.

[45] Date of Patent: \*\* Jan. 11, 1994

[54] STORAGE JAR

[75] Inventors: David C. Sabin, Lake Forest; Martha J. Williams, Hazel Crest, both of Ill.

[73] Assignee: Stylemaster, Inc., Niles, Ill.

[\*\*] Term: 14 Years

[21] Appl. No.: 871,219

[22] Filed: Apr. 20, 1992

[52] U.S. Cl. .... D7/612; D9/526

[58] Field of Search ..... D7/612-615; D9/526, 527, 543; 215/1 R, 1 C

[56] References Cited

U.S. PATENT DOCUMENTS

D. 165,984 2/1952 Konefes ..... D9/527 X

D. 185,736 7/1959 Cole ..... D7/612  
D. 191,072 8/1961 Eicholtz ..... D9/527 X  
D. 321,320 11/1991 Halm ..... D9/526

Primary Examiner—Terry A. Wallace  
Attorney, Agent, or Firm—Jones, Day, Reavis & Pogue

[57] CLAIM

The ornamental design for a storage jar, as shown and described.

DESCRIPTION

FIG. 1 is a perspective view of a storage jar showing our new design;  
FIG. 2 is a side elevational view thereof;  
FIG. 3 is a top plan view thereof;  
FIG. 4 is a bottom plan view thereof;  
FIG. 5 is a front elevational view thereof; and,  
FIG. 6 is a rear elevational view thereof.

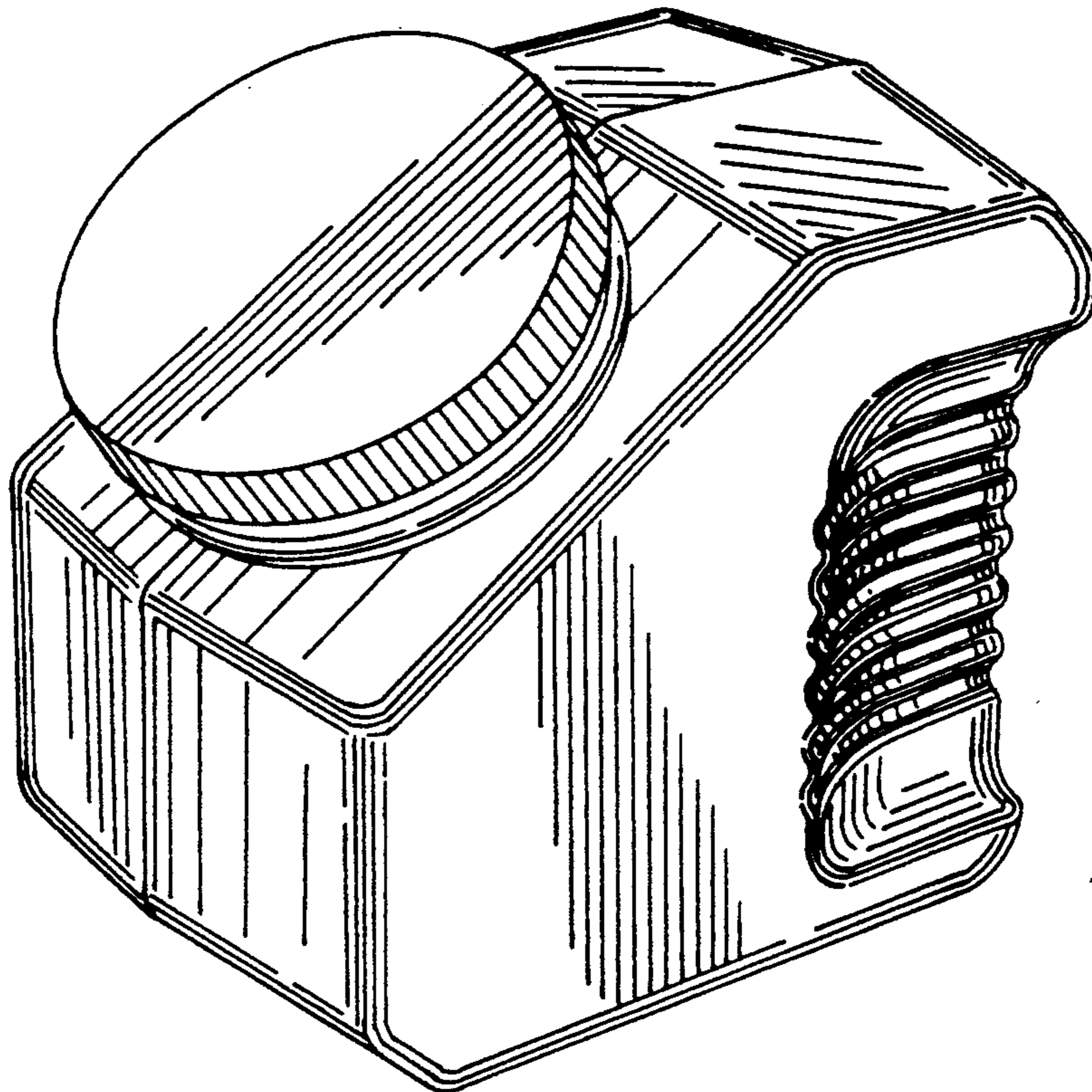


FIG. 1

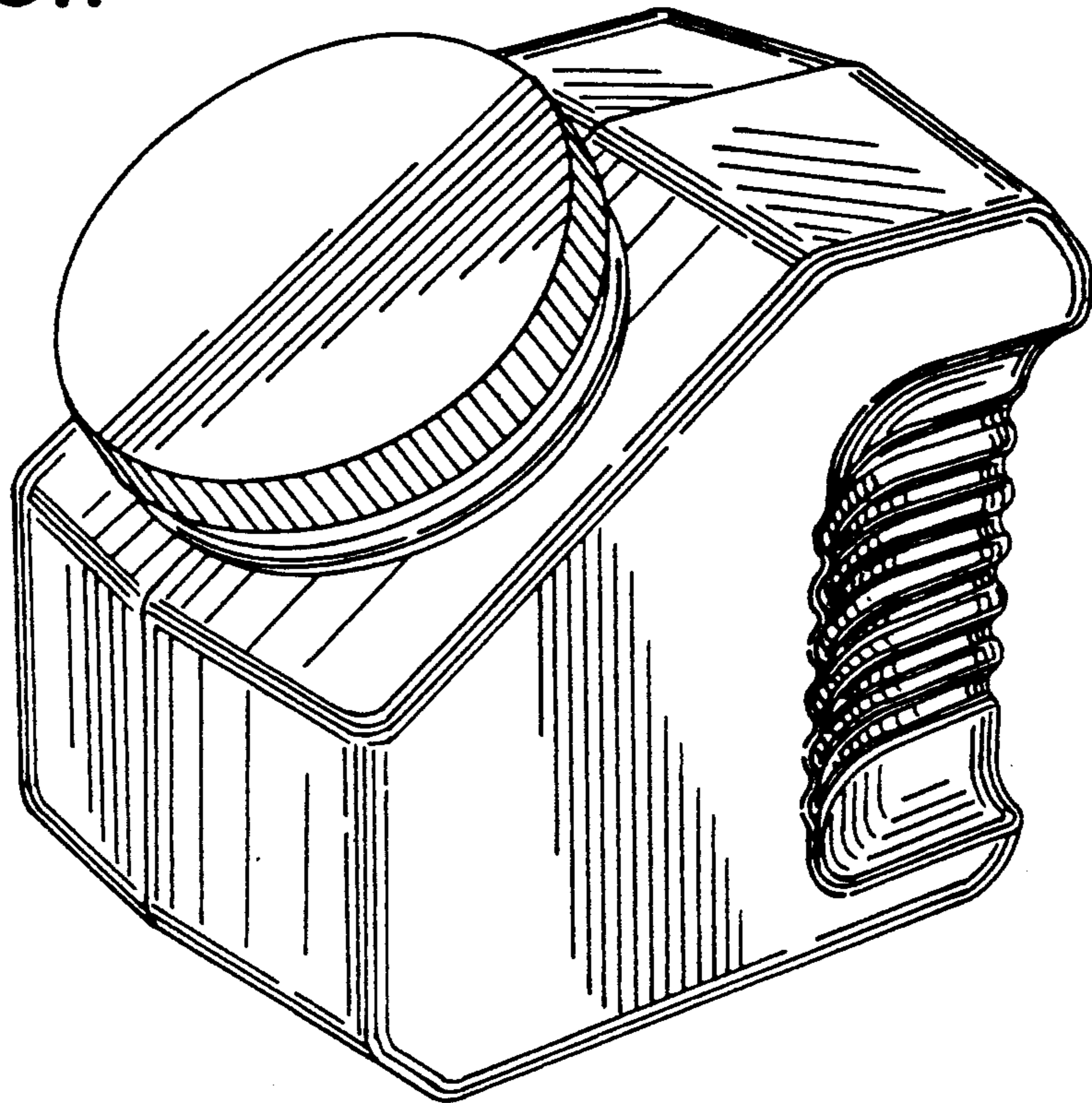


FIG. 2

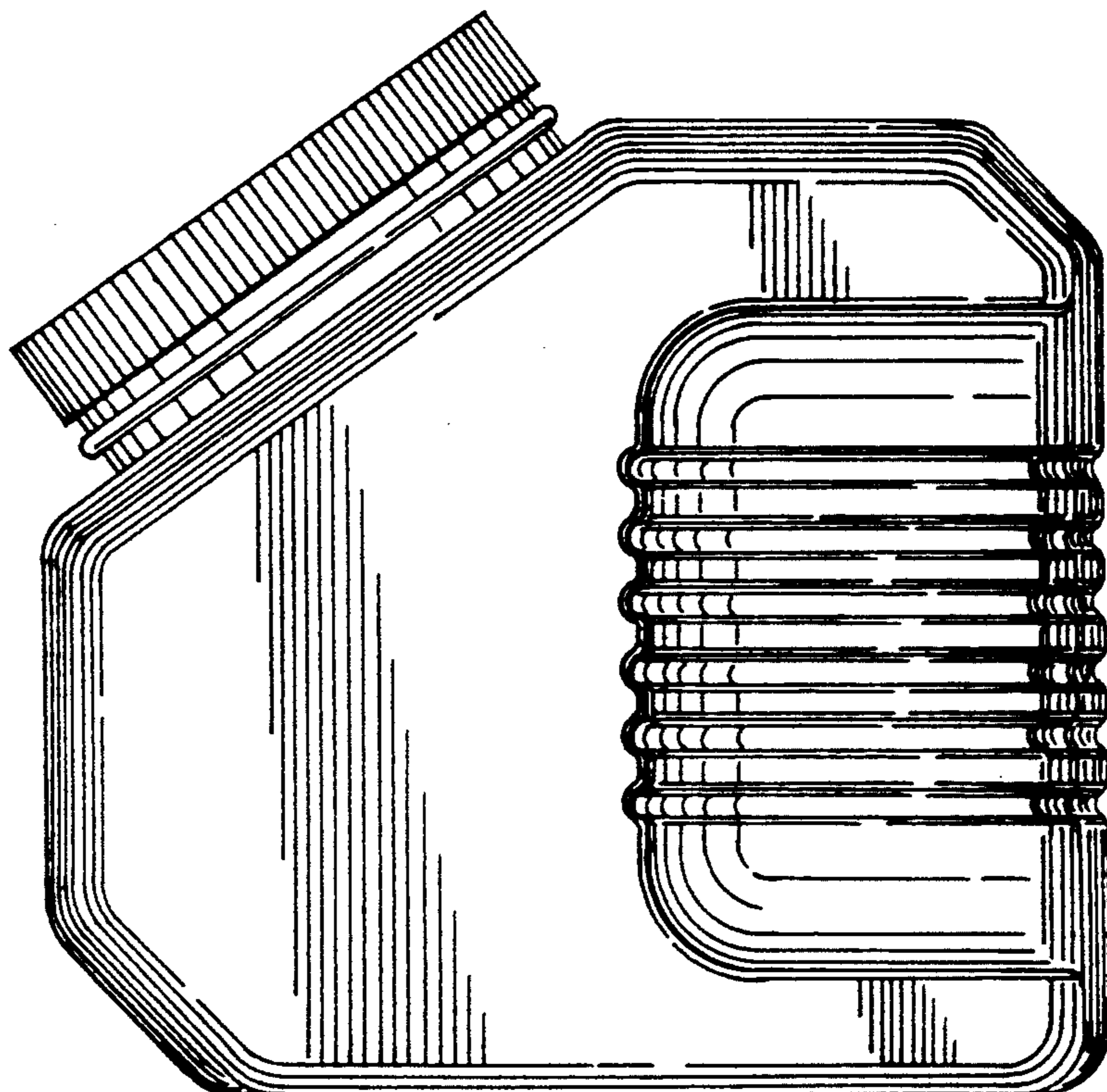


FIG. 3

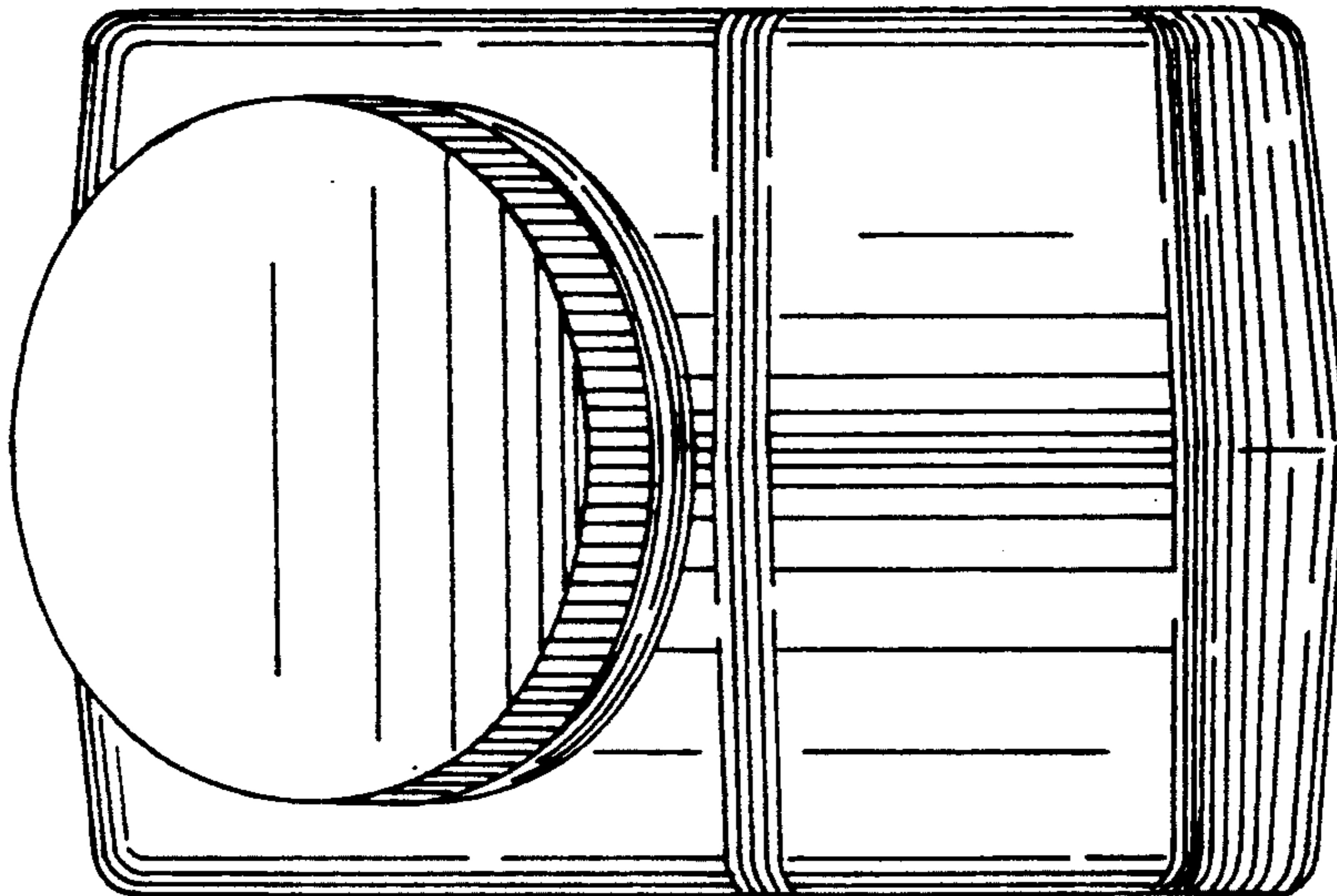


FIG. 4

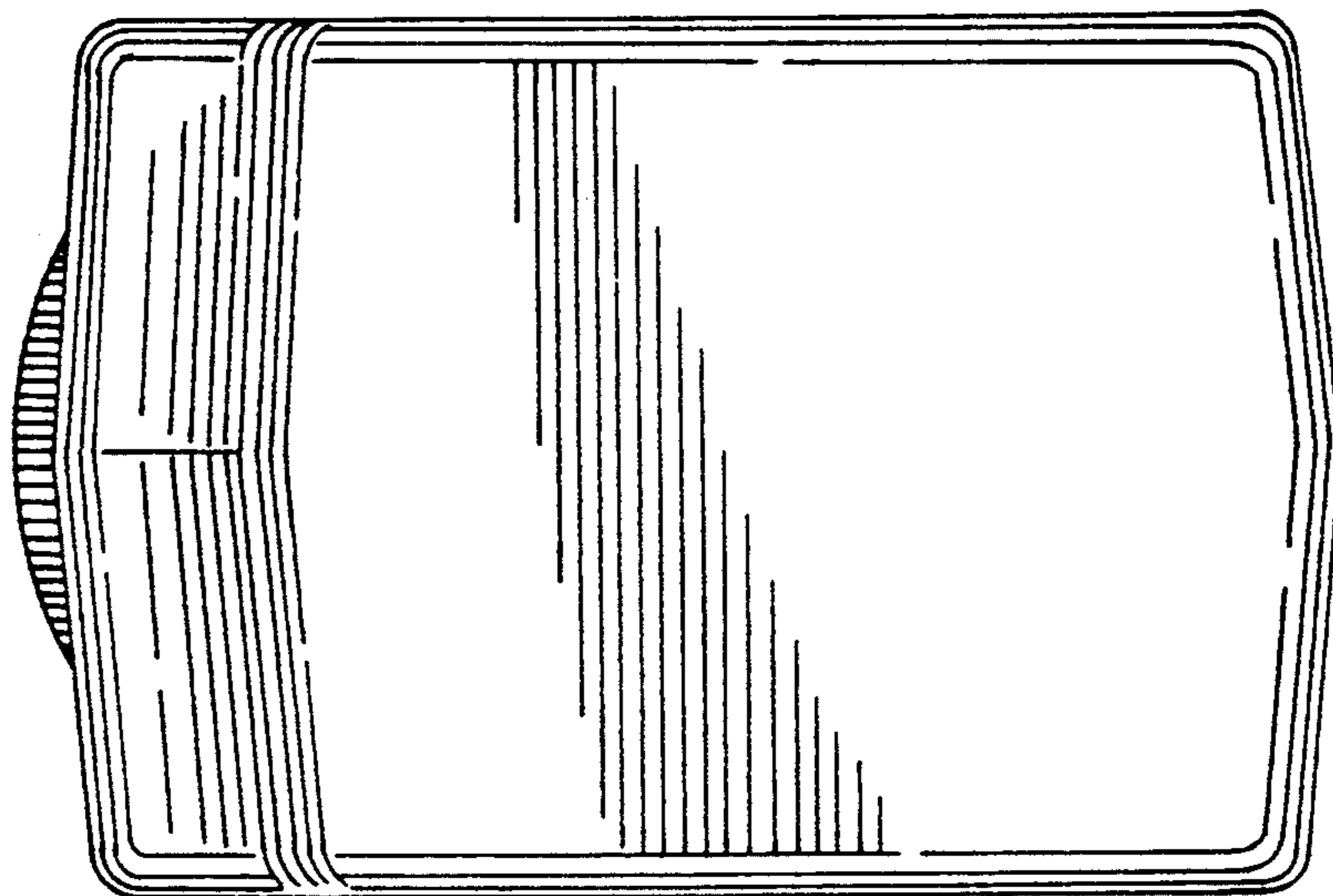


FIG. 5

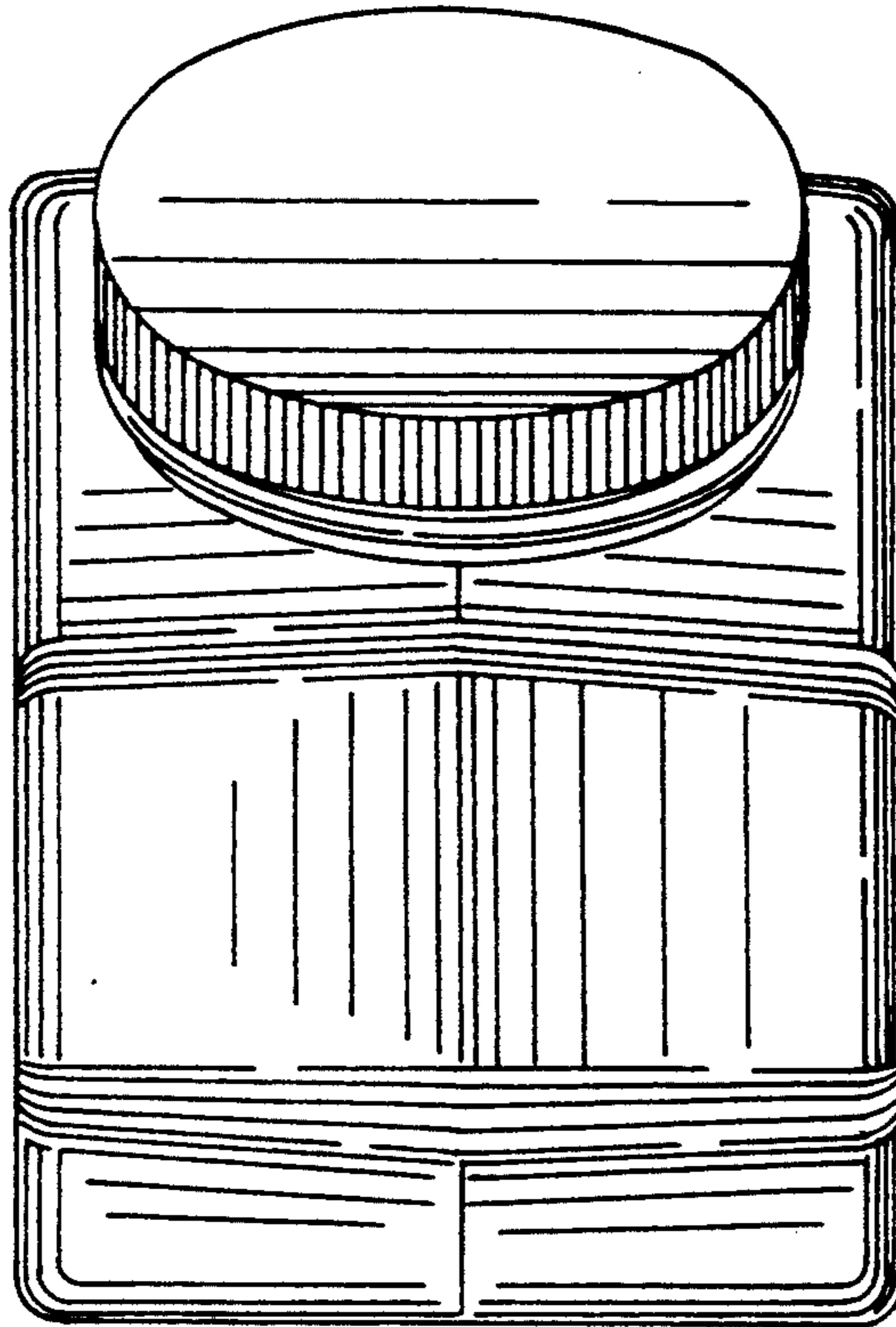


FIG. 6

