



US00D343086S

United States Patent [19]

[11] Patent Number: **Des. 343,086**

Wood

[45] Date of Patent: **** Jan. 11, 1994**

[54] **TOILET PAPER STORAGE UNIT**

[75] Inventor: **Donald M. Wood, Mesa, Ariz.**

[73] Assignee: **Dynatec International Inc., Salt Lake City, Utah**

[**] Term: **14 Years**

[21] Appl. No.: **933,502**

[22] Filed: **Aug. 20, 1992**

[52] U.S. Cl. **D6/570**

[58] Field of Search **D6/518-520;**
206/309; 221/92, 282-286; 242/55.2, 55.3, 55.53;
312/34.1, 34.8, 34.22

[56] **References Cited**

U.S. PATENT DOCUMENTS

D. 120,783 5/1940 Houghton **D6/519**

D. 307,845 5/1990 Omdoll et al. **D6/520**
D. 329,773 9/1992 Addison et al. **D6/520**

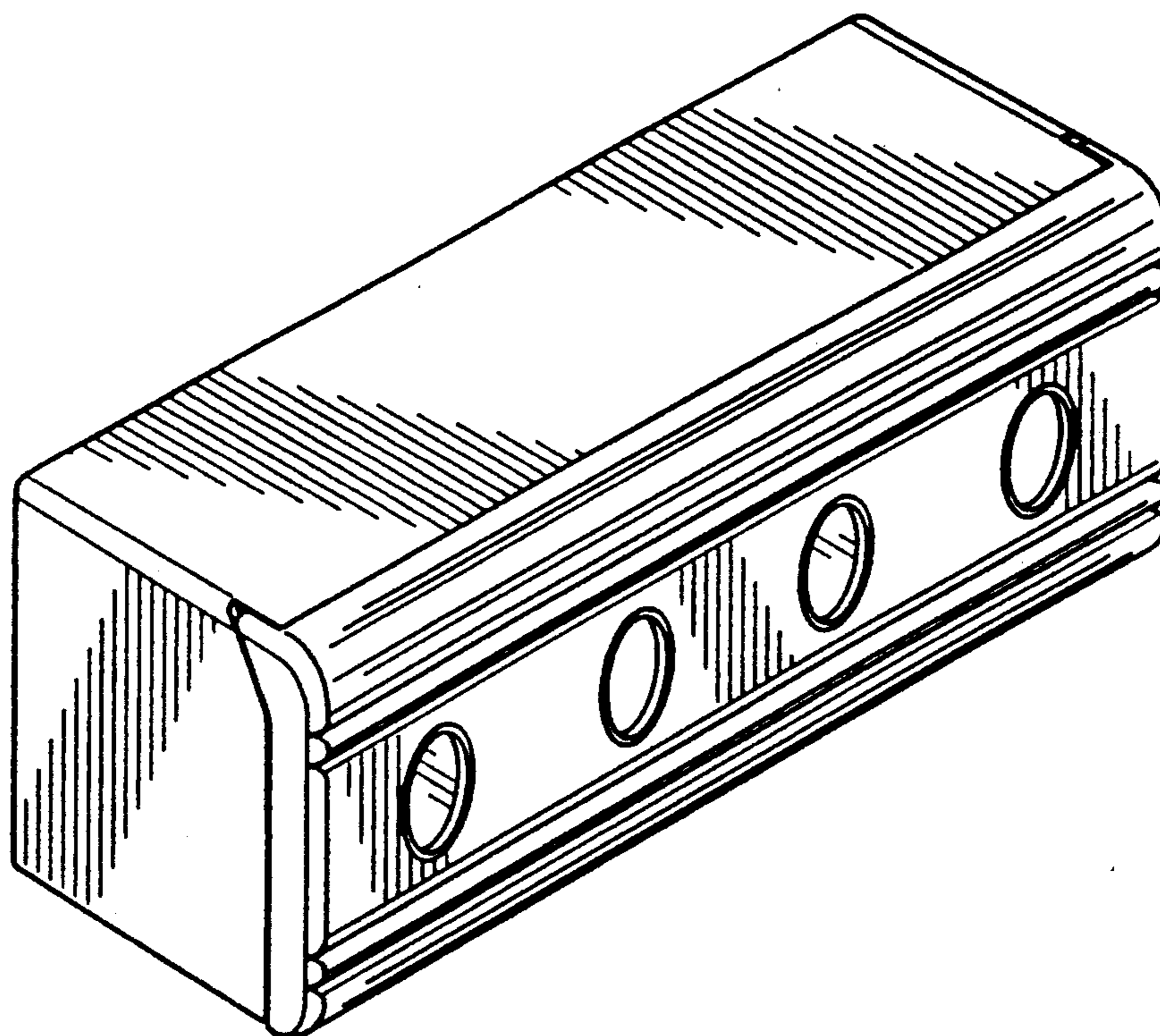
Primary Examiner—**Brian N. Vinson**
Attorney, Agent, or Firm—**Thorpe, North & Western**

[57] **CLAIM**

The ornamental design for a toilet paper storage unit, as shown and described.

DESCRIPTION

FIG. 1 is a top, front, and left side perspective view of a toilet paper storage unit showing my new design;
FIG. 2 is a front view thereof;
FIG. 3 is a left side elevational view thereof, the right side being a mirror image of that shown;
FIG. 4 is a top view thereof;
FIG. 5 is a bottom view thereof; and,
FIG. 6 is a back view thereof.



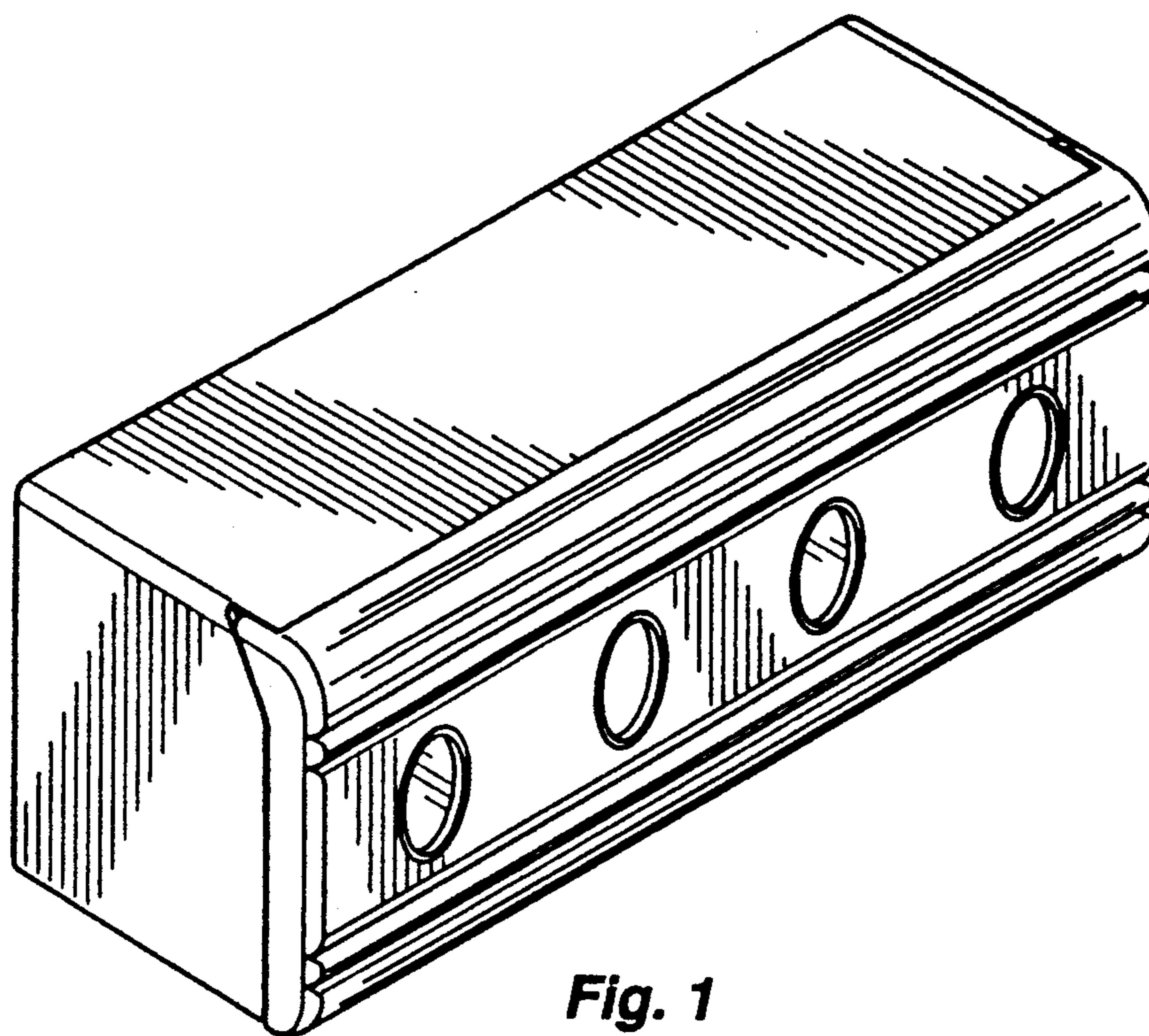


Fig. 1

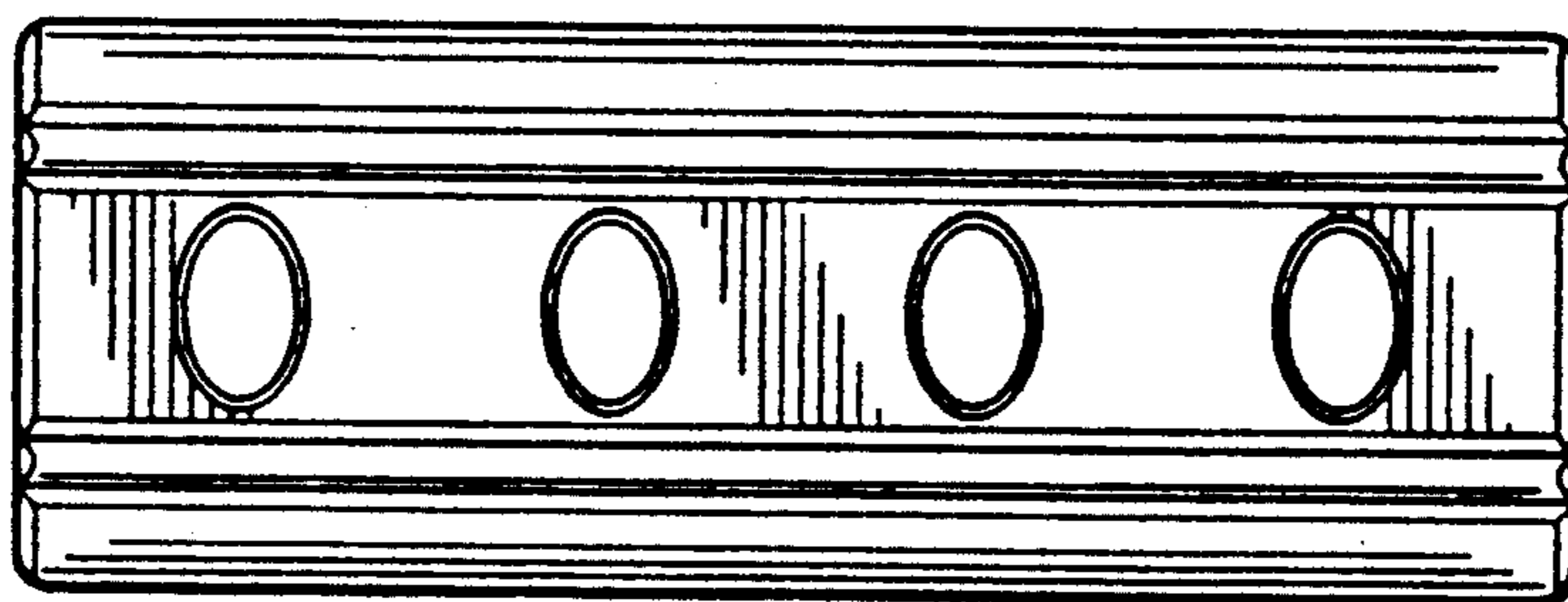


Fig. 2

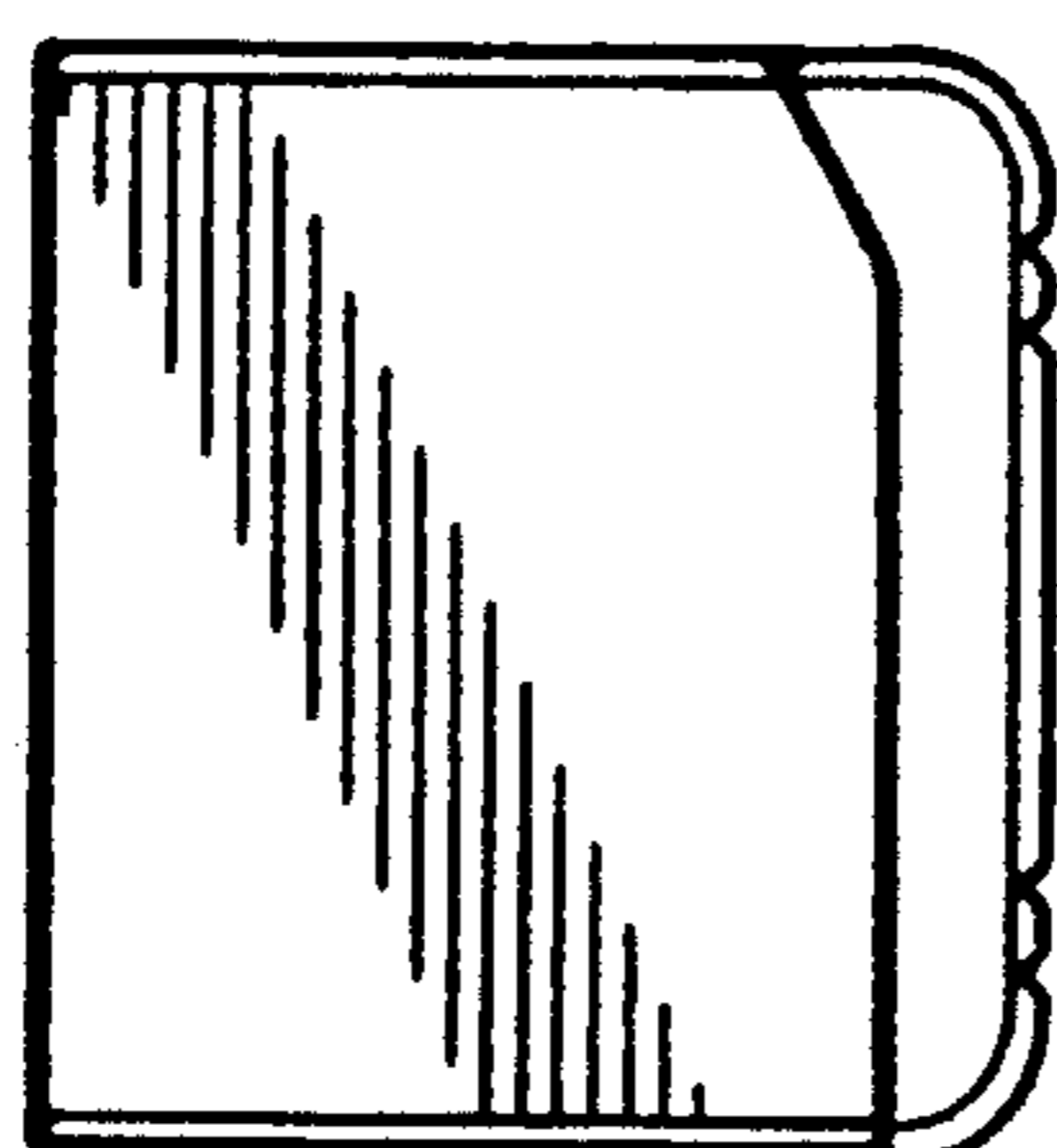


Fig. 3

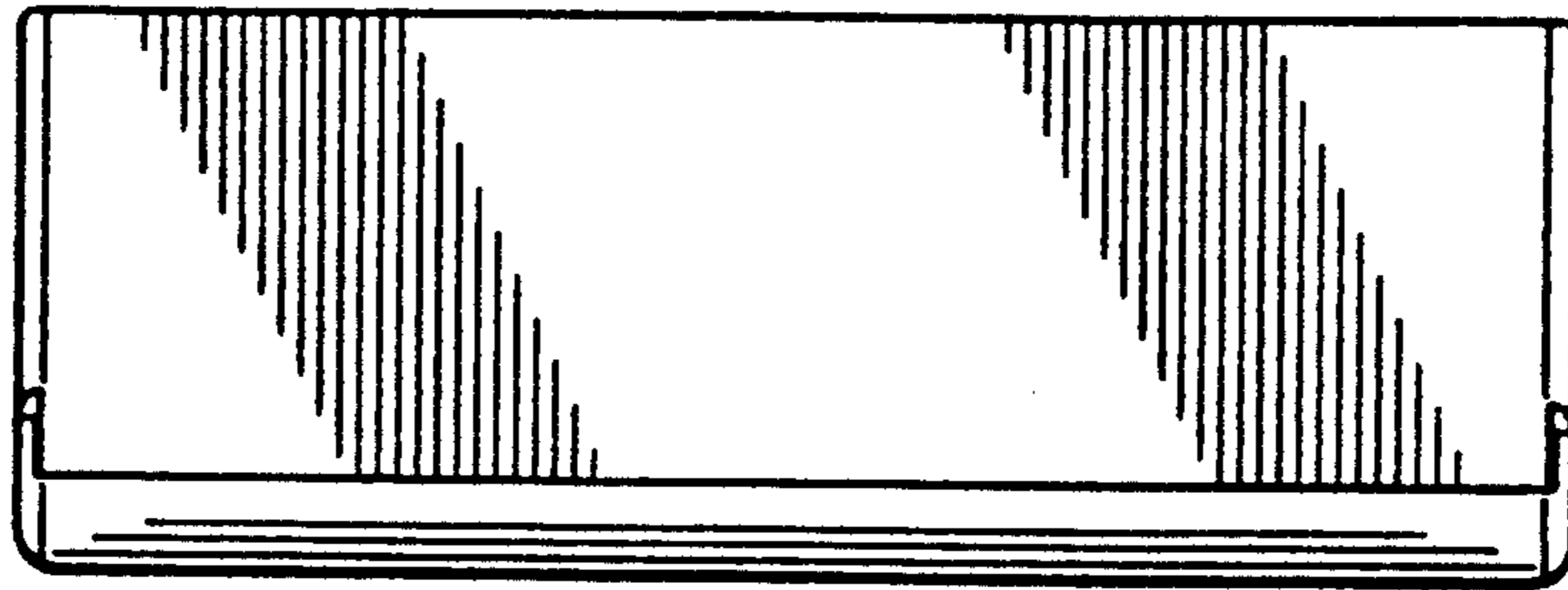


Fig. 4

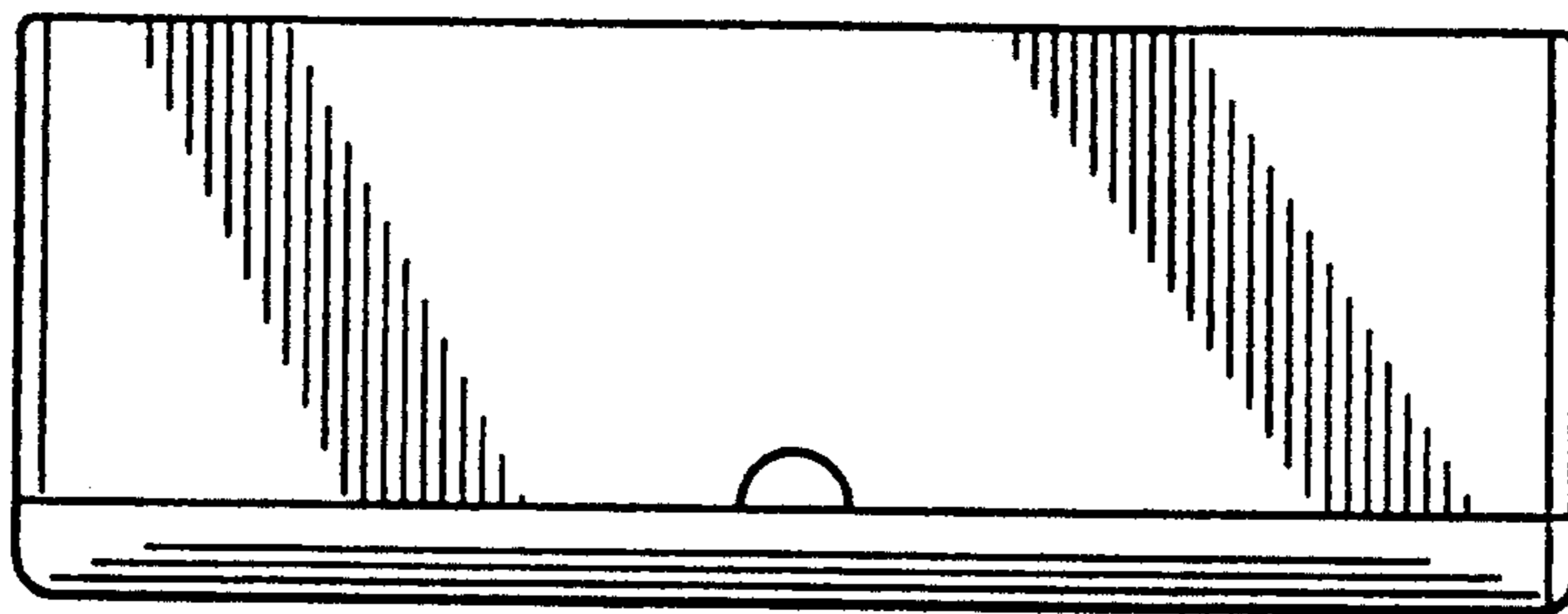


Fig. 5

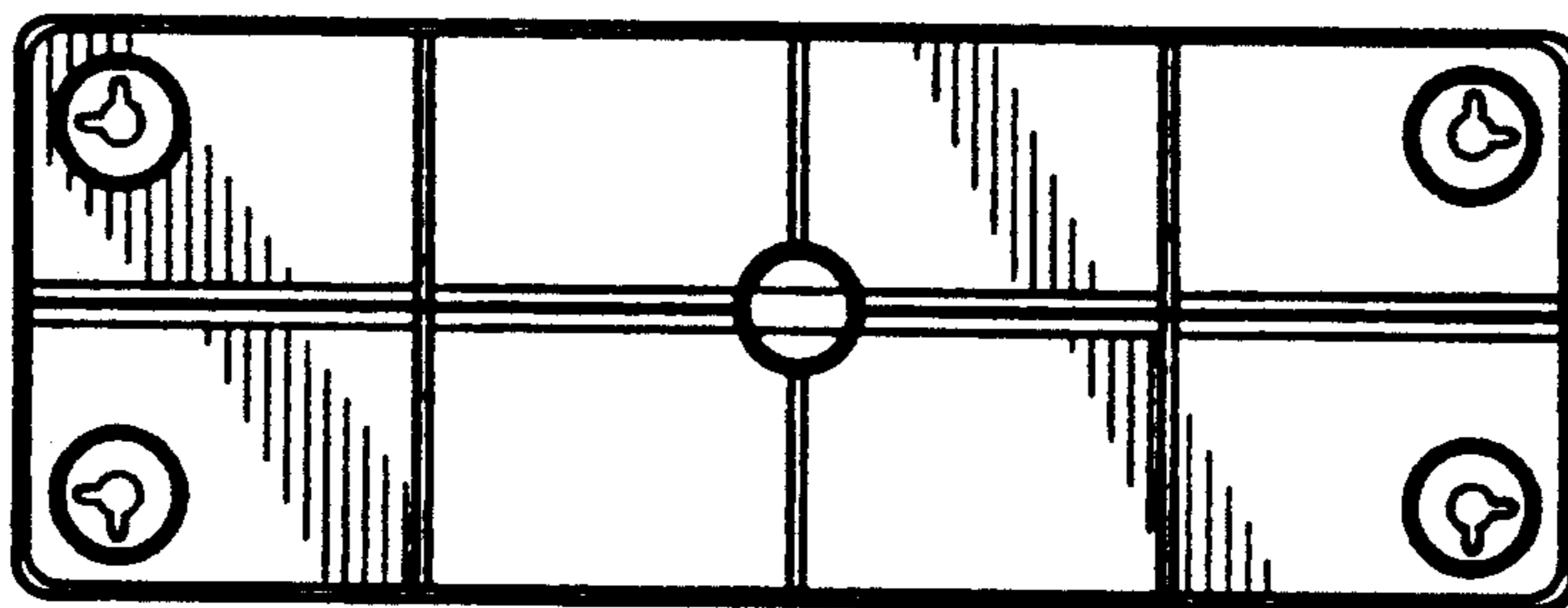


Fig. 6