



US00D343085S

**United States Patent** [19]  
**Bell**

[11] **Patent Number: Des. 343,085**

[45] **Date of Patent: \*\* Jan. 11, 1994**

[54] **MOUNTING STRUCTURE FOR BATHROOM ACCESSORIES**

[76] **Inventor: William F. Bell, 4748 Mira Vista Dr., Castro Valley, Calif. 94546**

[\*\*] **Term: 14 Years**

[21] **Appl. No.: 760,259**

[22] **Filed: Sep. 11, 1991**

[52] **U.S. Cl. .... D6/550; D6/546; D6/524**

[58] **Field of Search ..... D6/524, 535-536, 545-550, 567; D8/350, 351; 248/251; 211/86-87, 105.1, 123**

[56] **References Cited**

**U.S. PATENT DOCUMENTS**

D. 155,168 9/1949 Kiehl ..... D6/550  
D. 162,393 3/1951 Donaldson ..... D6/546

**OTHER PUBLICATIONS**

Paul Associates Catalogue (1983) p. 31 "Ord Design" bathroom accessory No. 4213.

Kemp & George Catalogue p. 2 "Pearls in Shelf Bath Fixtures" No. "D".

*Primary Examiner*—Brian N. Vinson  
*Attorney, Agent, or Firm*—Donald C. Feix

[57] **CLAIM**

The ornamental design for mounting structure for bathroom accessories, as shown and described.

**DESCRIPTION**

FIG. 1 is a top, front, and right side perspective view of a mounting structure for bathroom accessories showing my new design;

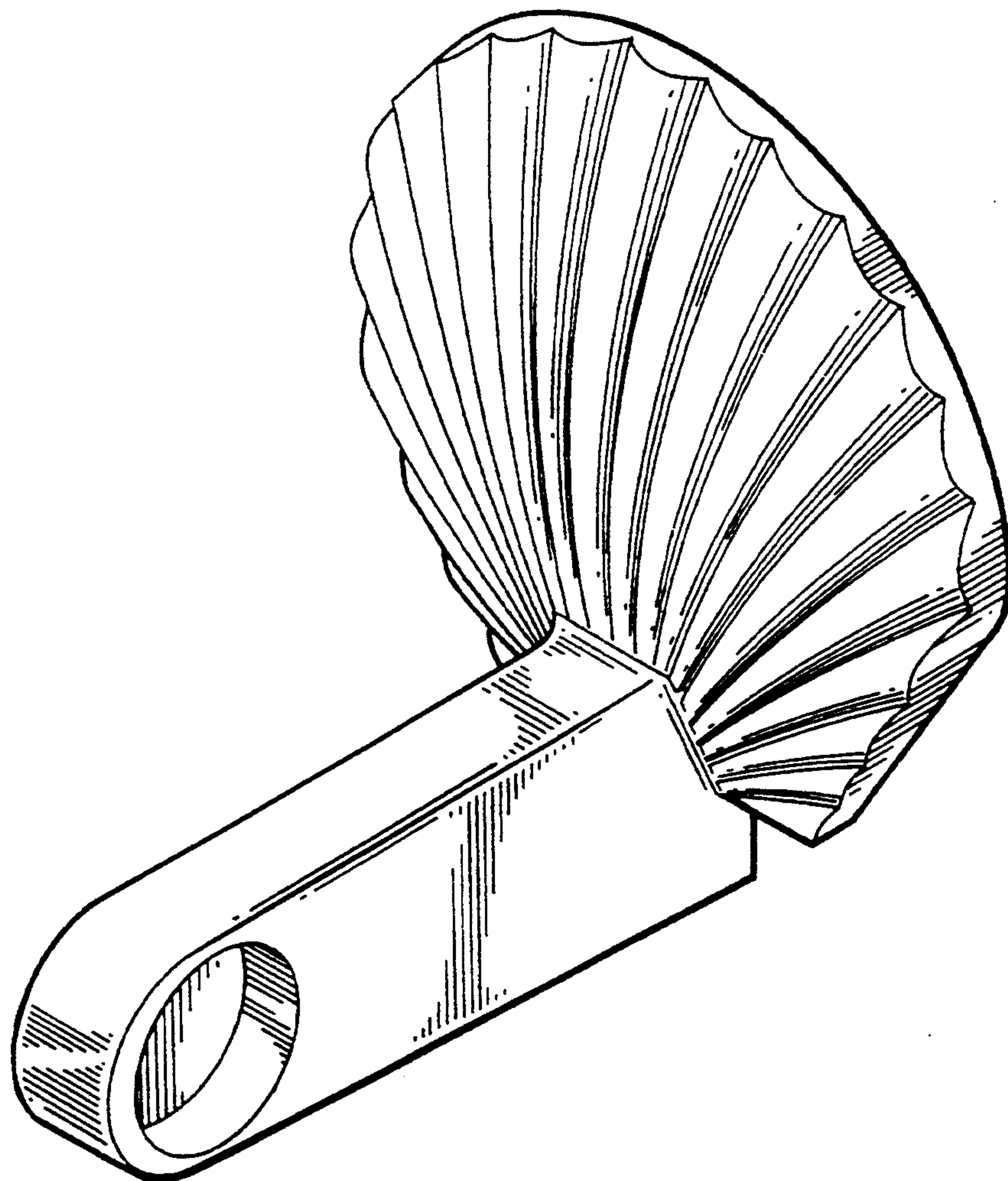
FIG. 2 is a reduced right side elevational view thereof;

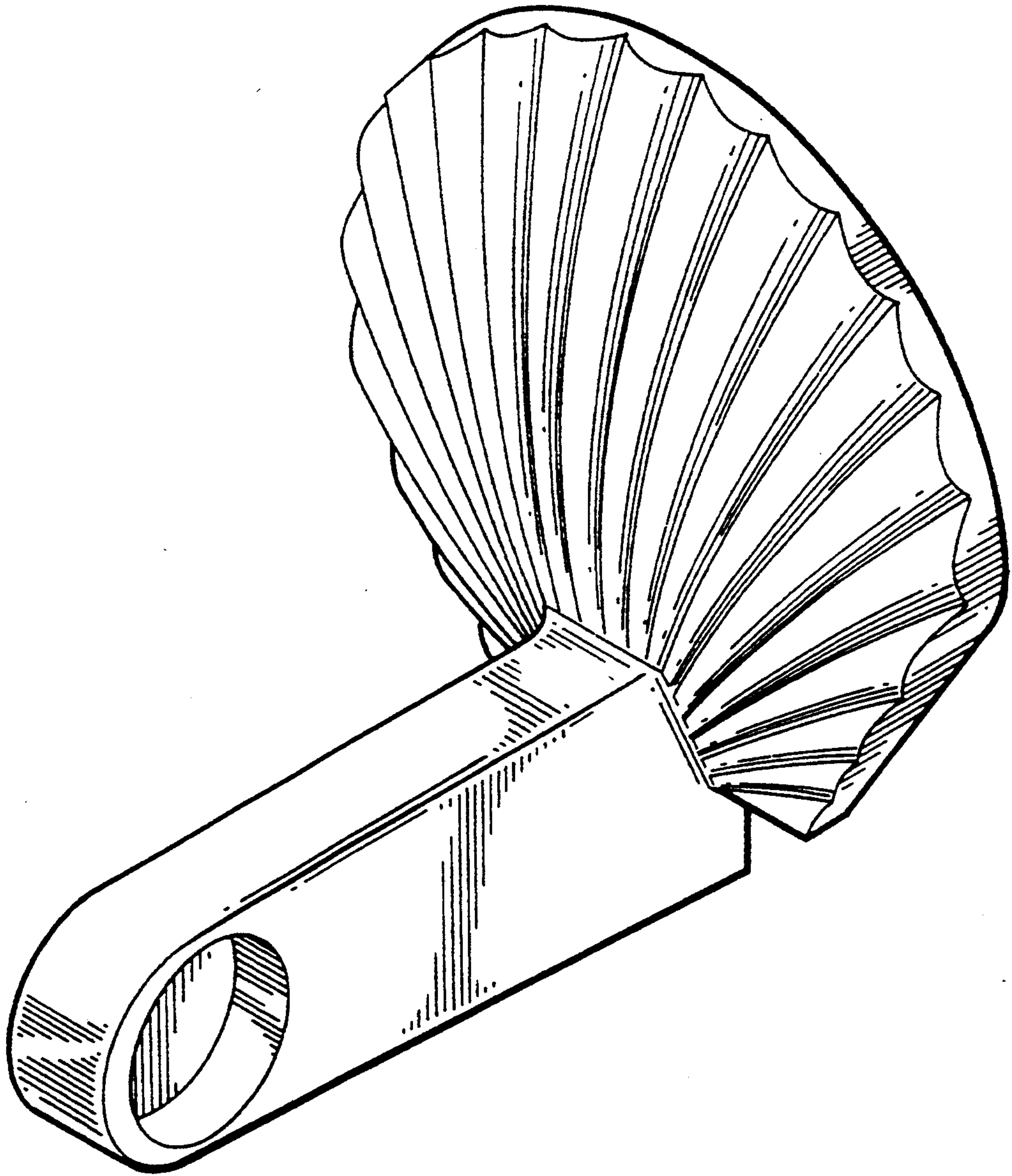
FIG. 3 is a reduced rear elevational view thereof;

FIG. 4 is a reduced left side elevational view thereof;

and,

FIG. 5 is a reduced bottom plan view thereof.





**FIGURE 1**

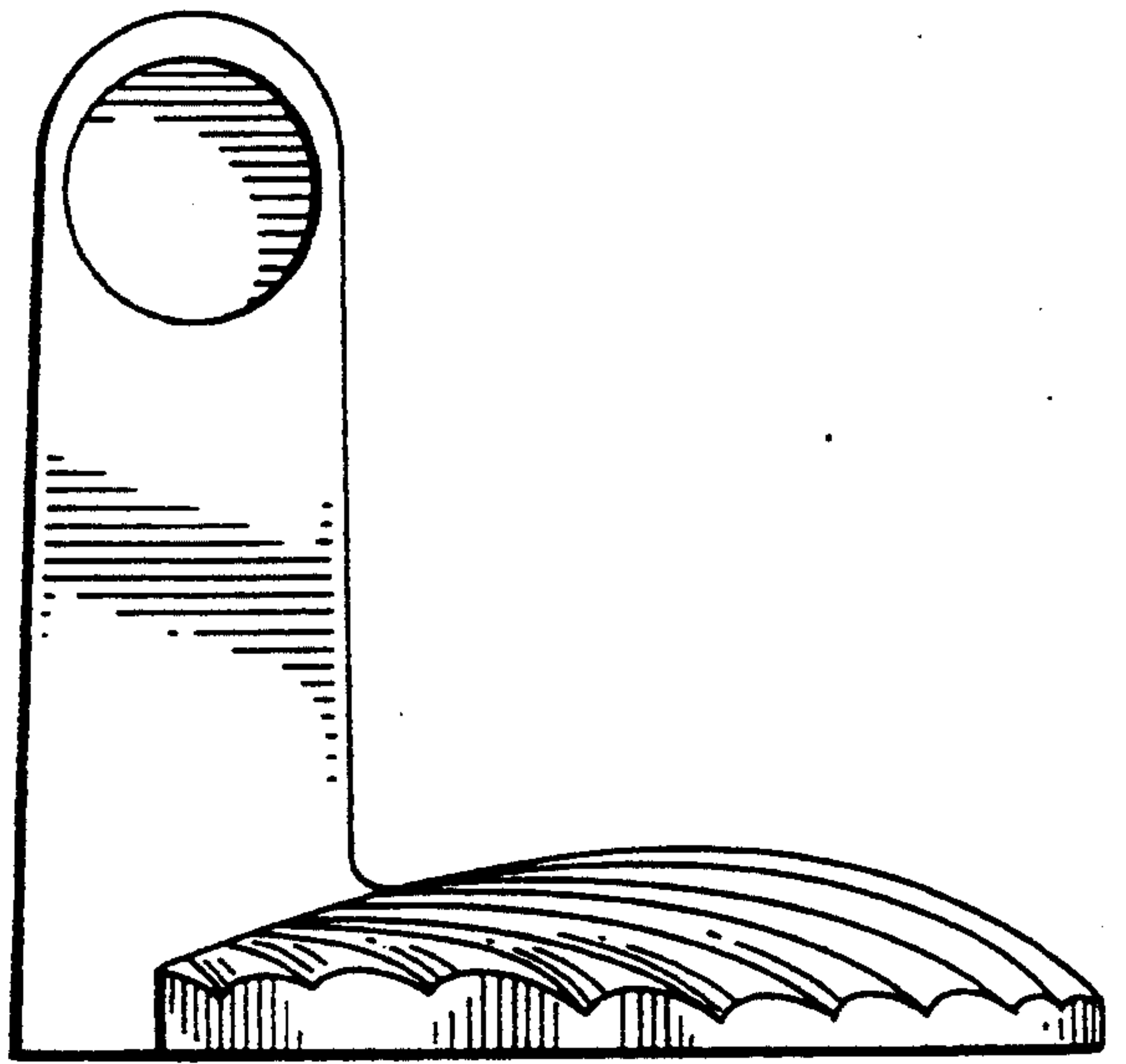


FIGURE 2

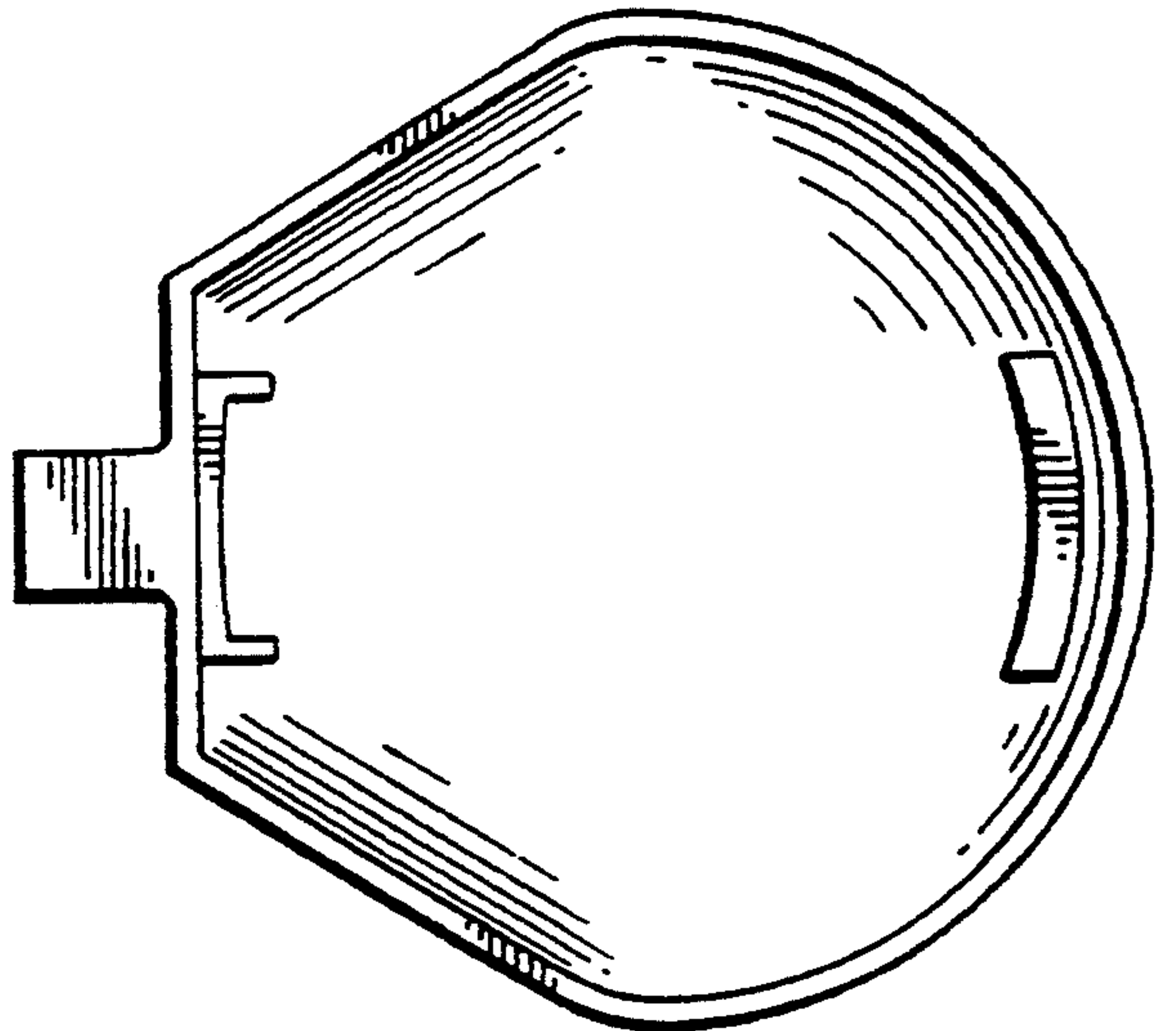


FIGURE 3

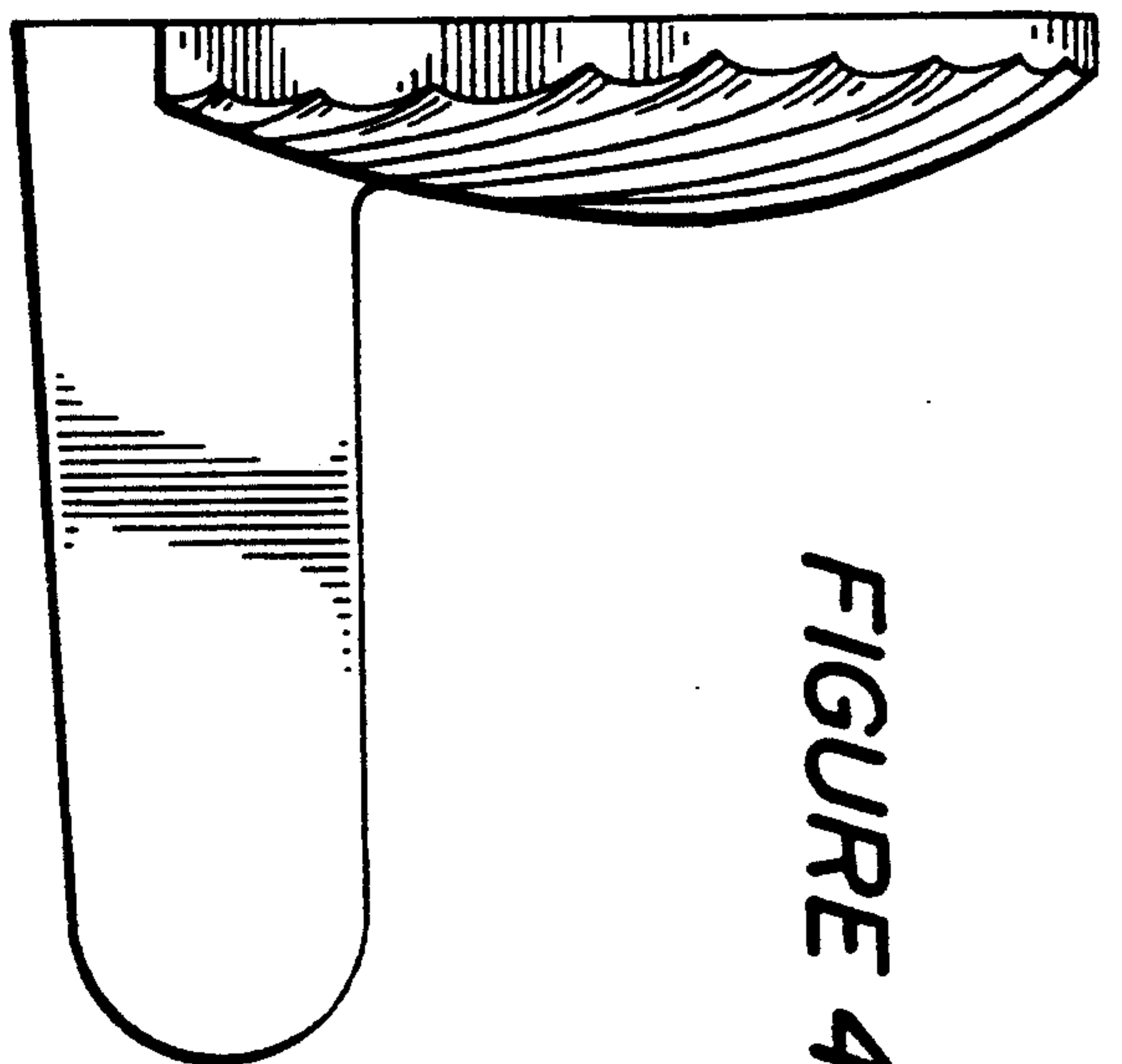


FIGURE 4

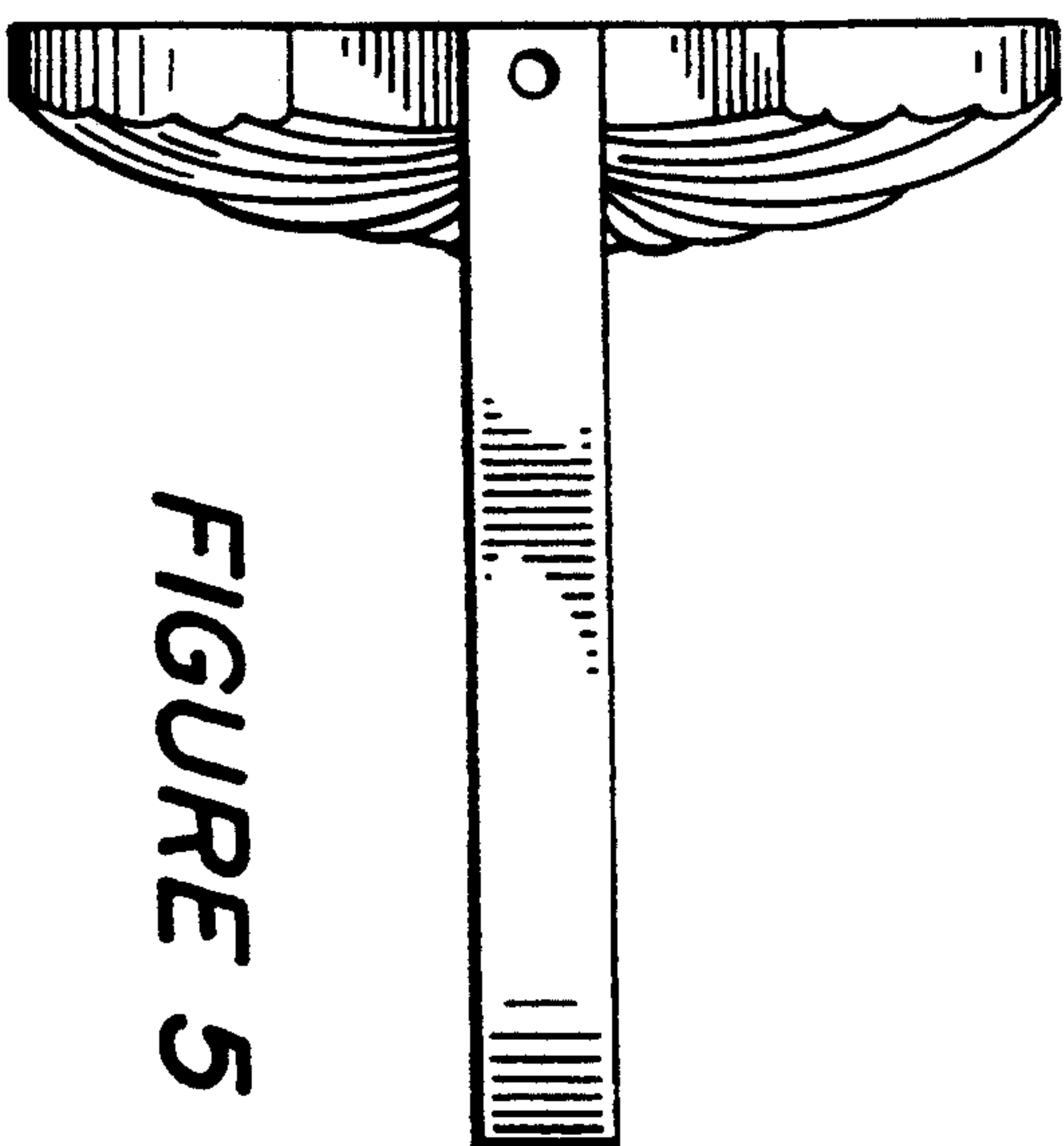


FIGURE 5