



US00D343084S

# United States Patent [19]

[11] Patent Number: Des. 343,084

Deimen et al.

[45] Date of Patent: \*\* Jan. 11, 1994

## [54] TOP FOR FURNITURE

[75] Inventors: Michael L. Deimen; Terence M. Duncan, both of Grand Rapids; Randall P. Nelsen, Alto; Michael E. Wurth, Grand Rapids; Edmund X. Klipa, Ada, all of Mich.

[73] Assignee: Steelcase Inc., Grand Rapids, Mich.

[\*\*] Term: 14 Years

[21] Appl. No.: 821,598

[22] Filed: Jan. 15, 1992

### Related U.S. Application Data

[60] Continuation-in-part of Ser. No. 425,318, Oct. 23, 1989, Pat. No. Des. 331,164, which is a division of Ser. No. 307,775, Feb. 7, 1989, Pat. No. 5,092,253, and a continuation-in-part of Ser. No. 129,971, Dec. 8, 1987, abandoned.

[52] U.S. Cl. .... D6/511

[58] Field of Search ..... D6/480, 482, 484, 485, D6/488, 511, 422, 425, 426, 406; 312/194-196, 203; 108/50, 64

### [56] References Cited

#### U.S. PATENT DOCUMENTS

D. 134,298	11/1941	Eppenstein .	
D. 225, 046	11/1972	Nance .....	D6/157
D. 238,841	2/1976	Goulooze .....	D6/04
D. 240,184	6/1976	Neuschaefer .....	D6/485 X
D. 242,832	12/1976	Swensson .....	D6/04
D. 251,526	4/1979	Zapf .....	D6/167
D. 255,188	6/1980	Zapf .....	D6/162
D. 277, 249	1/1985	Dunbar .....	D6/483
D. 278,770	5/1985	Koguma .....	D6/423
D. 278,772	5/1985	Koguma .....	D6/426
D. 281,294	11/1985	Hoppe .....	D6/422
D. 321,447	11/1991	Newhouse .....	D6/484
2,296,981	10/1951	Hildenbrandt et al. ....	312/194
2,821,450	8/1956	Knoll .....	312/111
2,930,665	3/1960	Budai .....	312/111
3,533,362	10/1970	Thompson .....	108/64
3,786,765	1/1974	Burr .....	108/60
3,807,102	4/1974	Albinson et al. ....	52/36
3,869,992	3/1975	Kramer .....	108/60
3,931,771	1/1976	Kramer .....	108/77
3,992,067	11/1976	Kane .....	312/194

4,049,331	9/1977	Gutmann, Jr. ....	312/203
4,055,373	10/1977	Andresen et al. ....	312/263
4,078,342	3/1978	Cohen .....	52/79.1
4,094,561	6/1978	Wolff et al. ....	312/223
4,224,769	9/1980	Ball et al. ....	52/36
4,257,203	3/1981	Propst et al. ....	52/221
4,288,948	9/1981	Harris .....	52/28
4,296,574	10/1981	Stephens .....	52/27
4,372,629	2/1983	Propst et al. ....	312/223
4,387,941	6/1983	Maier .....	312/194
4,535,577	8/1985	Tenser et al. ....	52/221
4,535,703	8/1985	Henriott et al. ....	108/50
4,536,044	8/1985	Ziegelheim et al. ....	312/257
4,567,698	2/1986	Morrison .....	52/36
4,571,907	2/1986	DeFouw et al. ....	52/239
4,586,759	5/1986	Wrobel .....	312/198
4,593,508	6/1986	Curatolo .....	52/239
4,619,486	10/1986	Hannah et al. ....	312/195
4,624,083	11/1986	Diffrient .....	52/65
4,625,476	12/1986	Shimada .....	52/126.4
4,639,049	1/1987	Frascaroli et al. ....	312/195

### FOREIGN PATENT DOCUMENTS

0312369 10/1988 European Pat. Off. .... A47 B 17/00

### OTHER PUBLICATIONS

G. F. Furniture Systems ©1986, inside rear cover work surface at lower left.

Steelcase, Context Catalog ©1989, rear inside cover Straight Core Unit, top & 2nd from left.

hiebert, ". . . New Directions".

Knoll, "Hannah Desk System".

Knoll, "Morrison System".

Herman Miller, "Ethos System".

Herman Miller, "Organizing The Work Envelope".

Sunar Hauserman, "Race System".

Sunar Hauserman, "Douglas Bass's Cameron with Design Option".

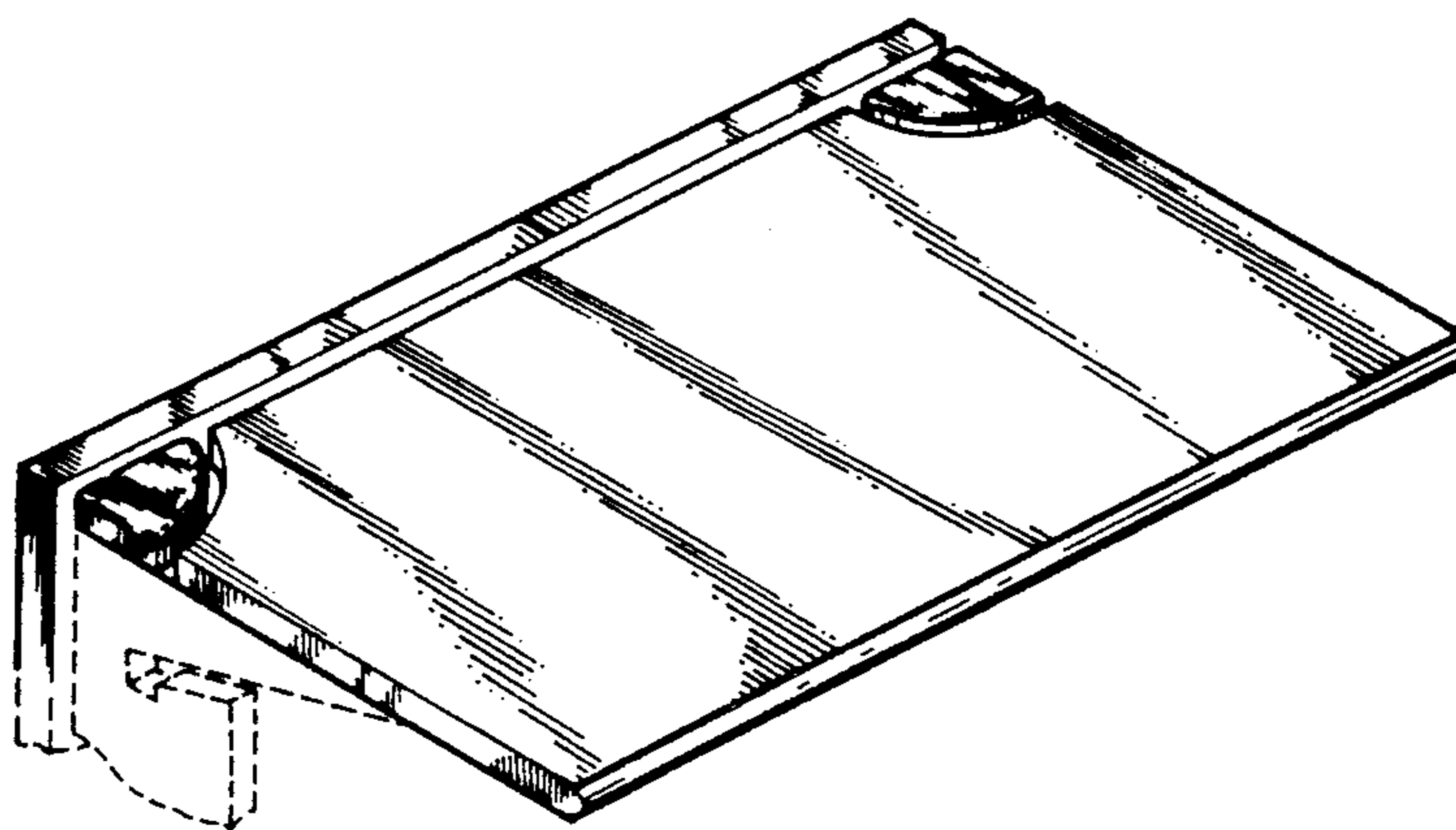
Round Office, Inc., "Round Office".

Ill International, Inc., "Tinta System".

Haworth Inc, "ES Wrap-Around Work Surfaces".

"How To Get More Office Space Without Paying A Dollar More In Rent," Round Office, Inc.

Primary Examiner—Nelson C. Holtje  
 Assistant Examiner—J. E. Seeger  
 Attorney, Agent, or Firm—Price, Heneveld, Cooper, DeWitt & Litton



[57]

**CLAIM**

The ornamental design for a top for furniture, as shown and described.

**DESCRIPTION**

FIG. 1 is a perspective view of a top for furniture, showing our new design; and, FIG. 2 is a top plan view thereof.

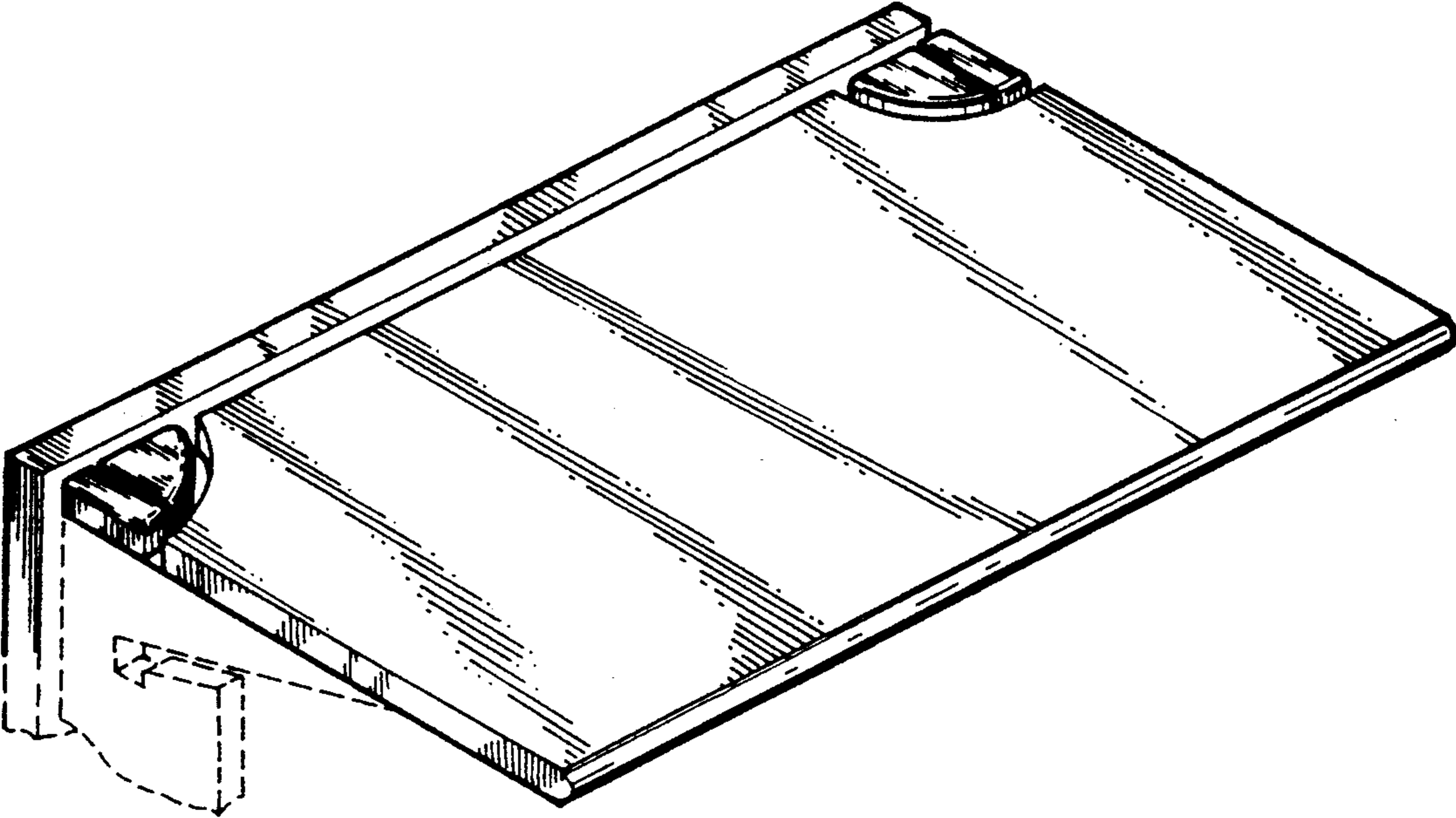


FIG. 1

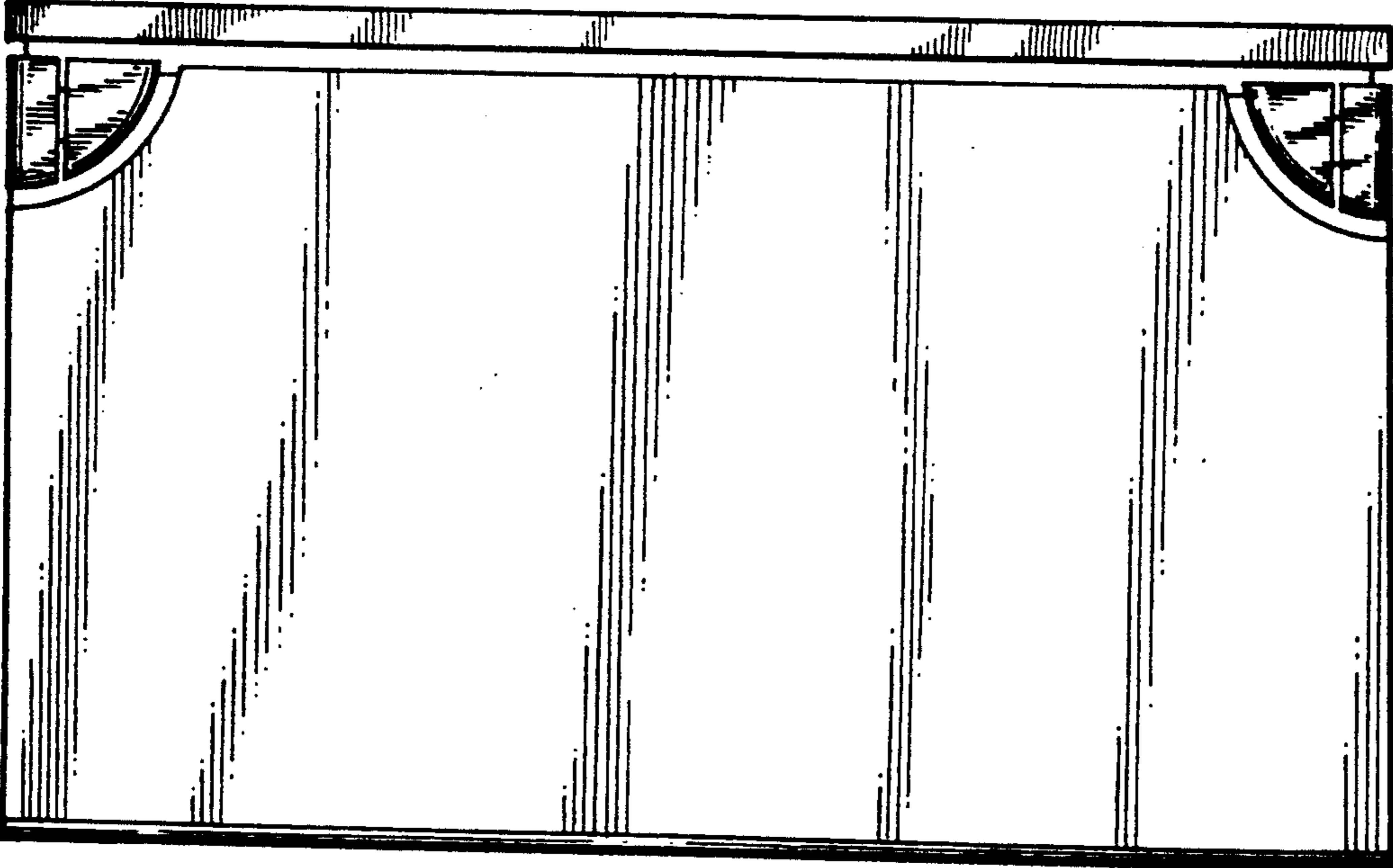


FIG. 2