



US00D343076S

United States Patent [19]

[11] Patent Number: Des. 343,076

Cadman

[45] Date of Patent: ** Jan. 11, 1994

[54] PLACE SETTING DISPLAY STAND

[76] Inventor: Christian B. Cadman, 309 E. 24th Ave., Vancouver, British Columbia, Canada, V5V 1Z8

[**] Term: 14 Years

[21] Appl. No.: 801,094

[22] Filed: Dec. 2, 1991

[52] U.S. Cl. D6/467; D7/619

[58] Field of Search D6/396, 449, 466-469, 310, 567, 553, 475, 476; D7/619; 211/40, 41; 248/146, 346; D19/30

[56] References Cited

U.S. PATENT DOCUMENTS

D. 162,127	2/1951	Chicorel	D6/469
D. 167,203	7/1952	Grode	D6/469
D. 168,884	2/1953	Chicorel	D6/469
D. 177,890	5/1956	Westernacher	D6/467
D. 181,567	11/1957	Westernacher	D6/467
D. 291,848	9/1987	Cadman	D6/466
D. 295,351	4/1988	Splane et al.	D6/469 X
D. 328,826	8/1992	Berger	D6/567
3,115,251	12/1963	Farrell	D7/619 X

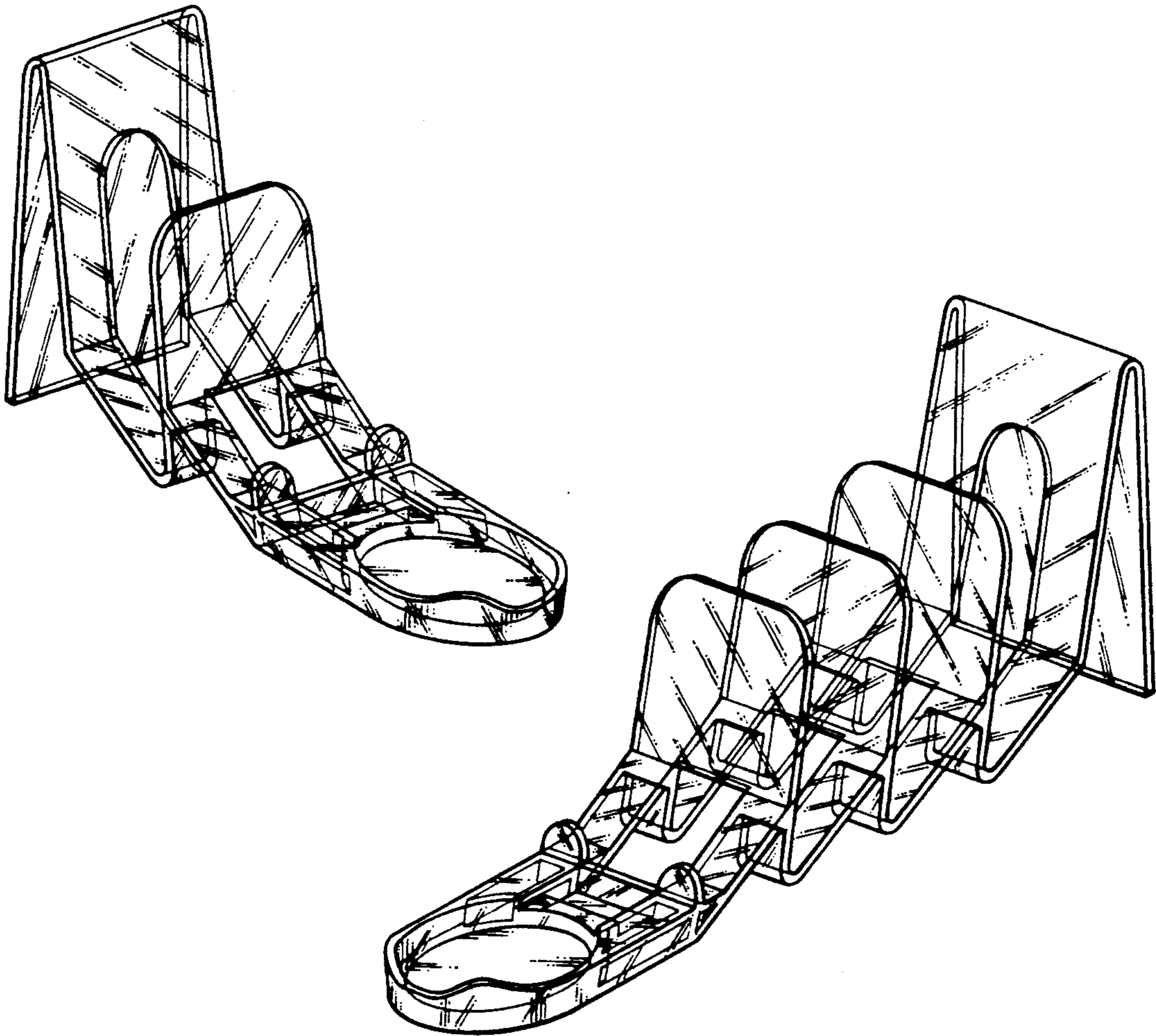
Primary Examiner—Alan P. Douglas
Assistant Examiner—Jeffrey Asch
Attorney, Agent, or Firm—Barrigar & Oyen

[57] CLAIM

The ornamental design for a place setting display stand, as shown and described.

DESCRIPTION

FIG. 1 is a perspective view of a place setting display stand showing my new design;
FIG. 2 is a front view;
FIG. 3 is a rear view;
FIG. 4 is a left side view, the right side view being a mirror image thereof;
FIG. 5 is a top view;
FIG. 6 is a bottom view;
FIG. 7 is a perspective view of a second embodiment of that shown in FIG. 1;
FIG. 8 is a front view;
FIG. 9 is a rear view;
FIG. 10 is a left side view, the right side view being a mirror image thereof;
FIG. 11 is a top view; and,
FIG. 12 is a bottom view thereof.



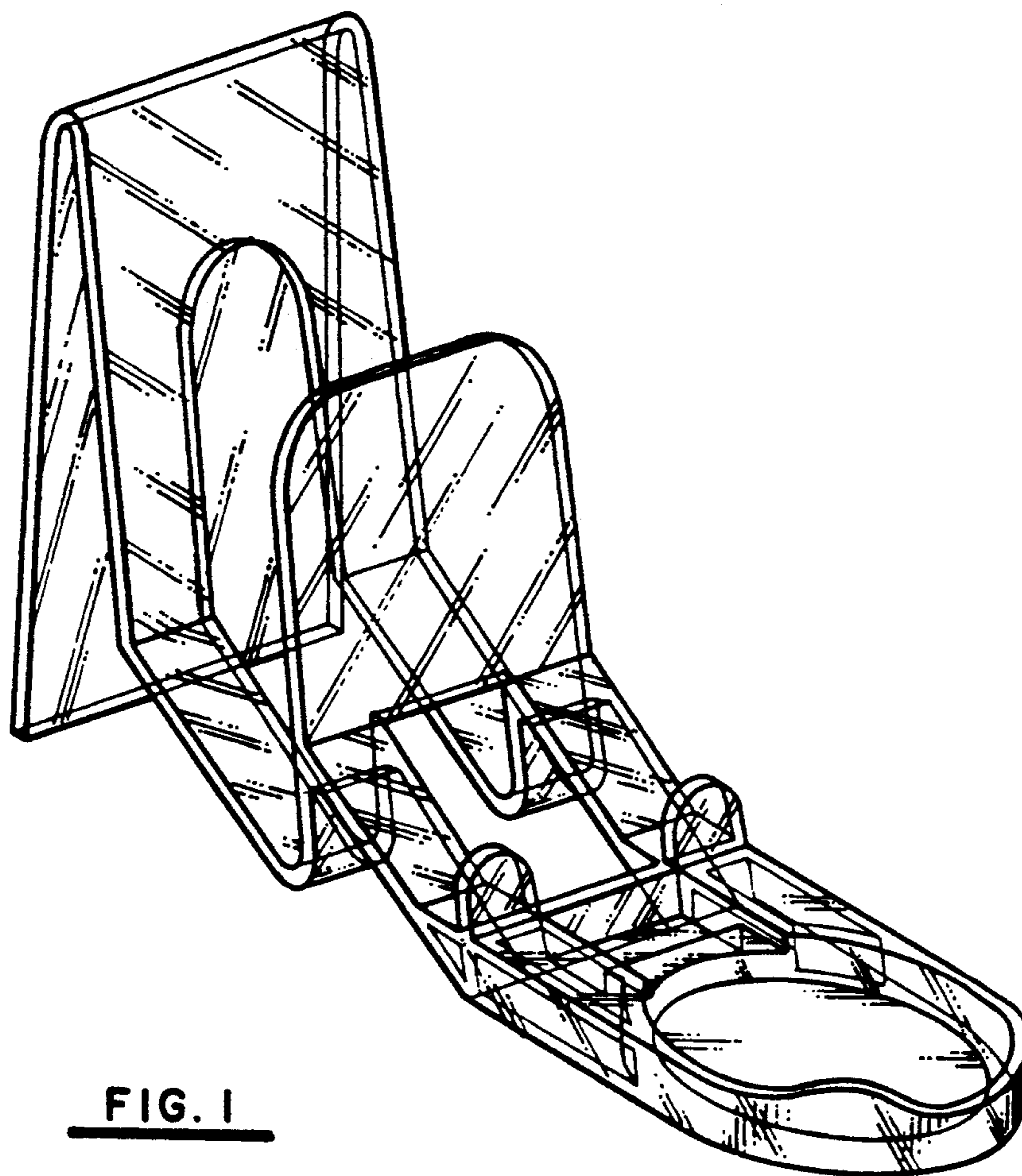


FIG. 1

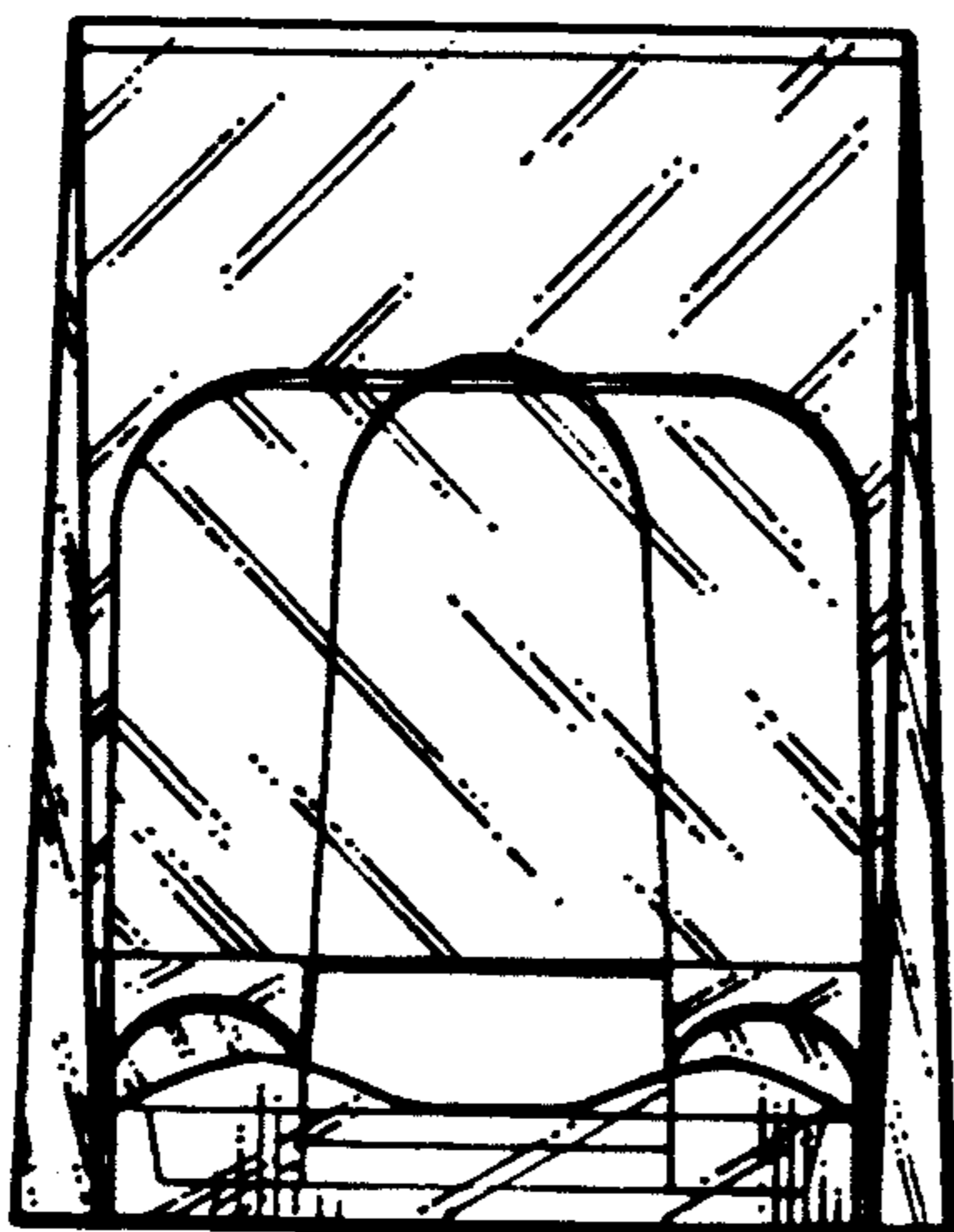


FIG. 2

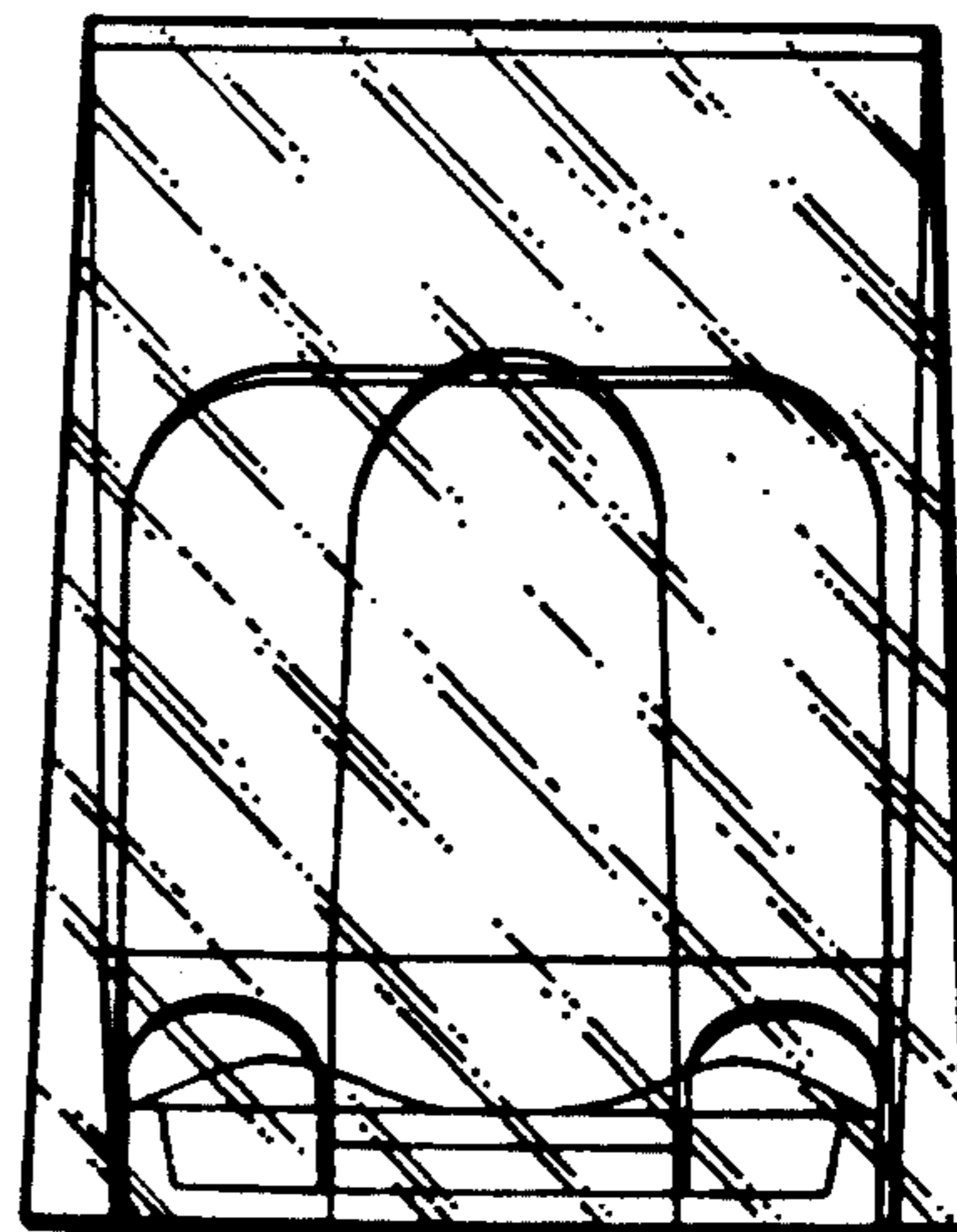


FIG. 3

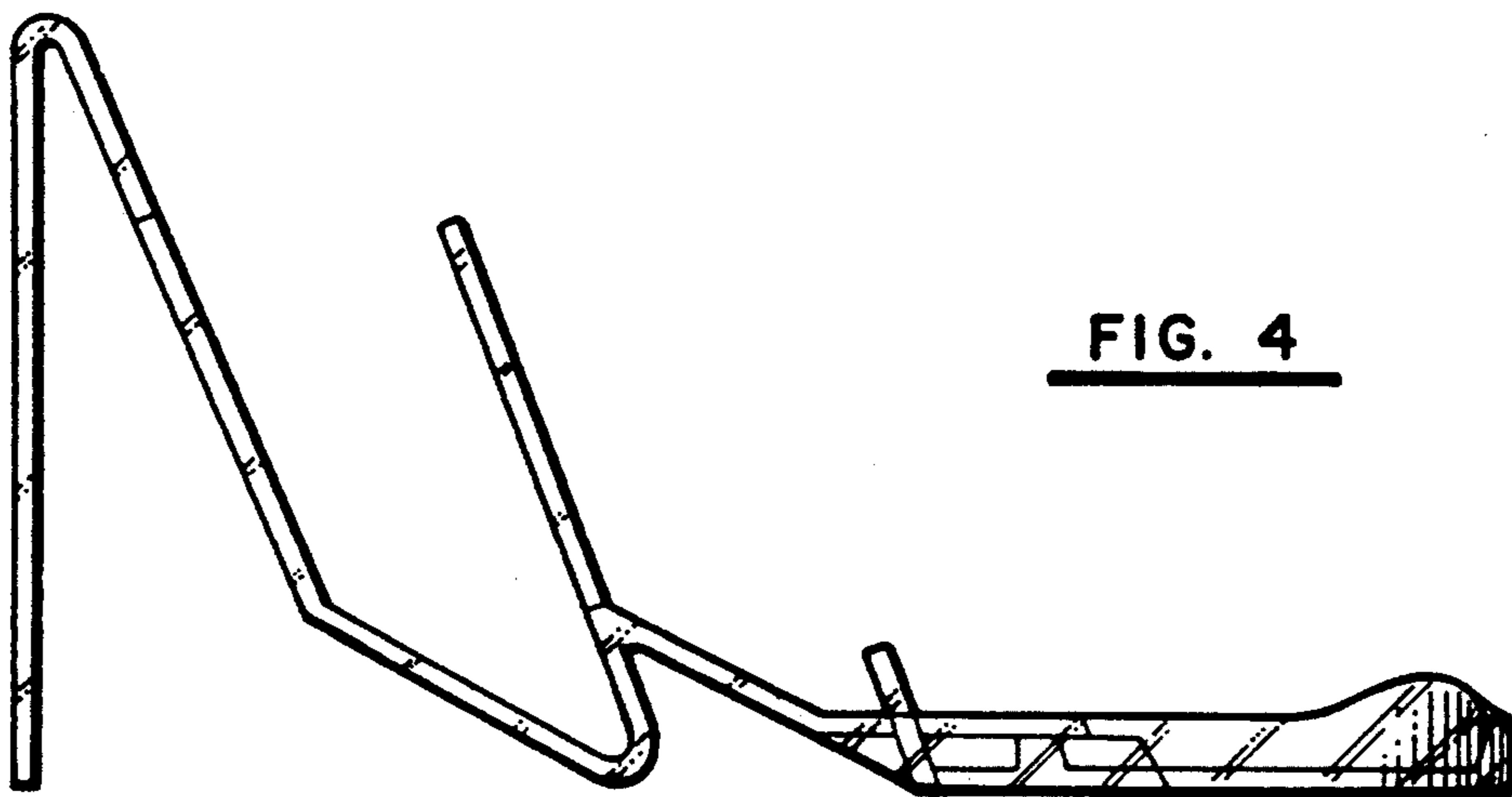


FIG. 4

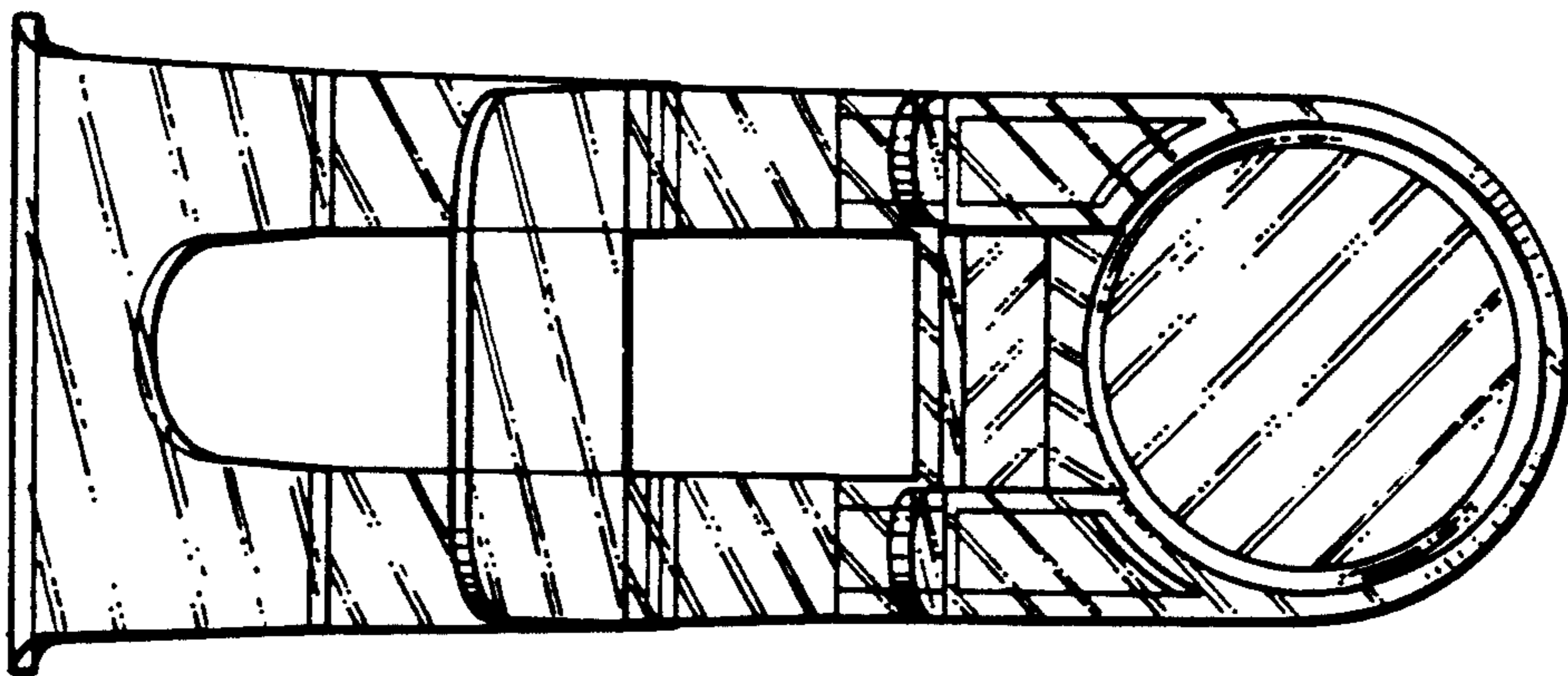


FIG. 5

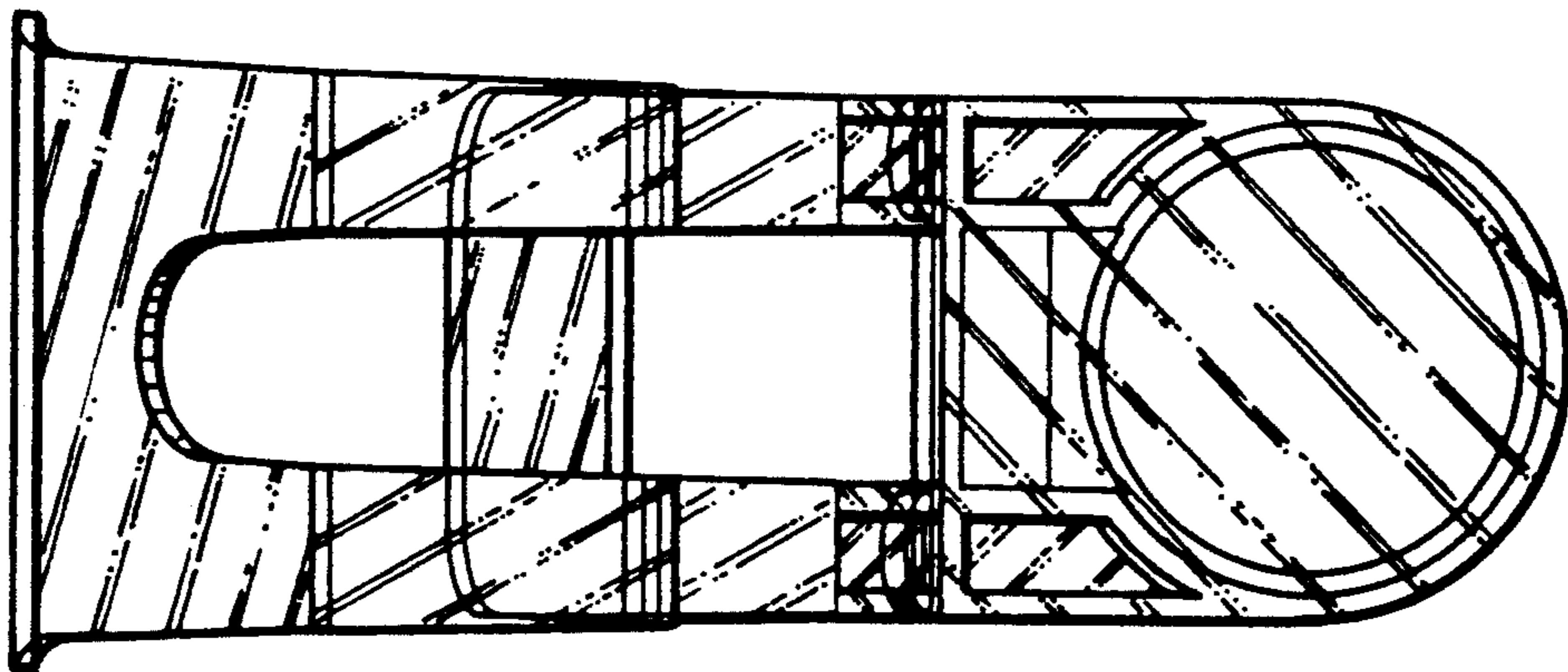


FIG. 6

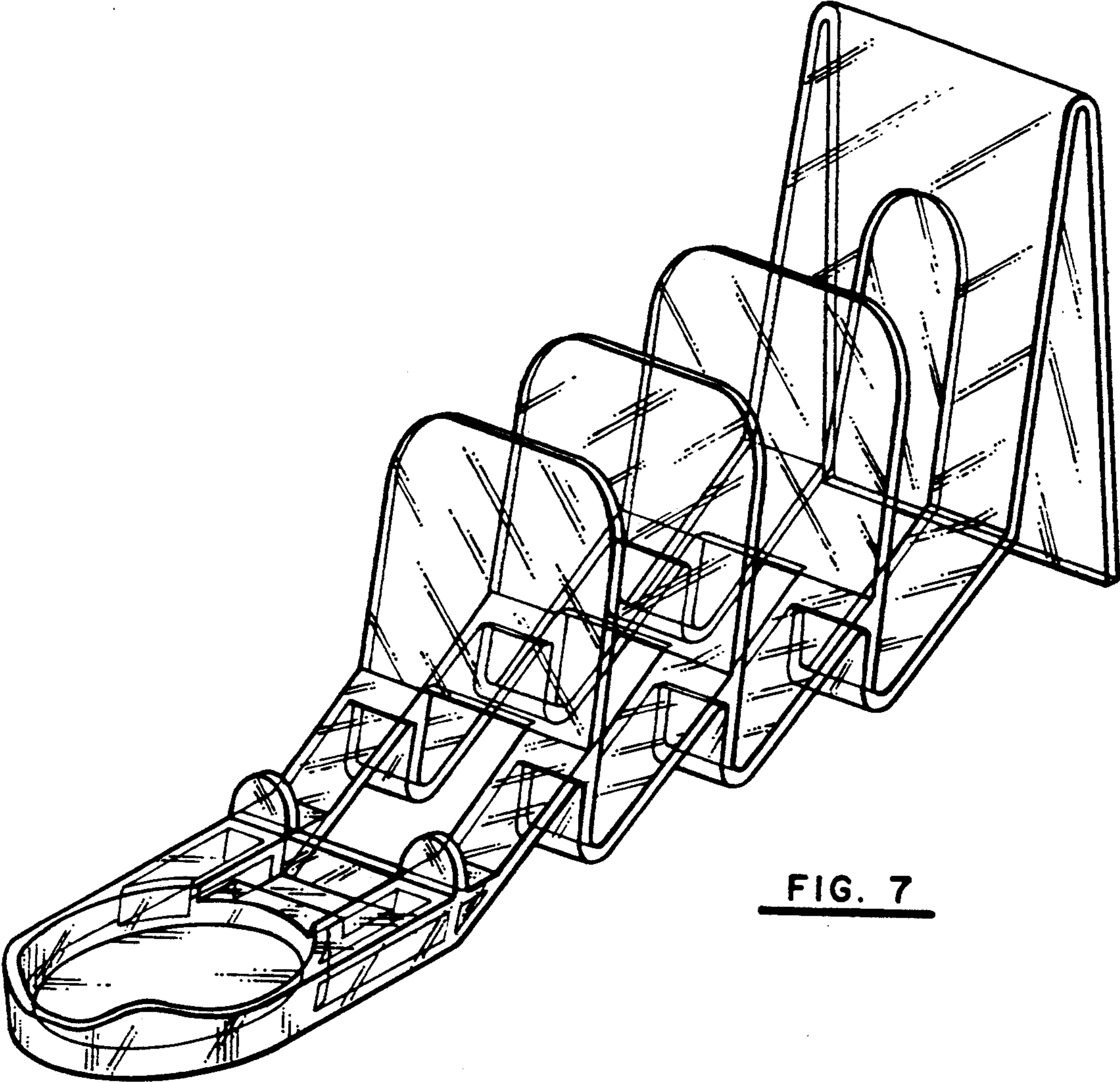


FIG. 7

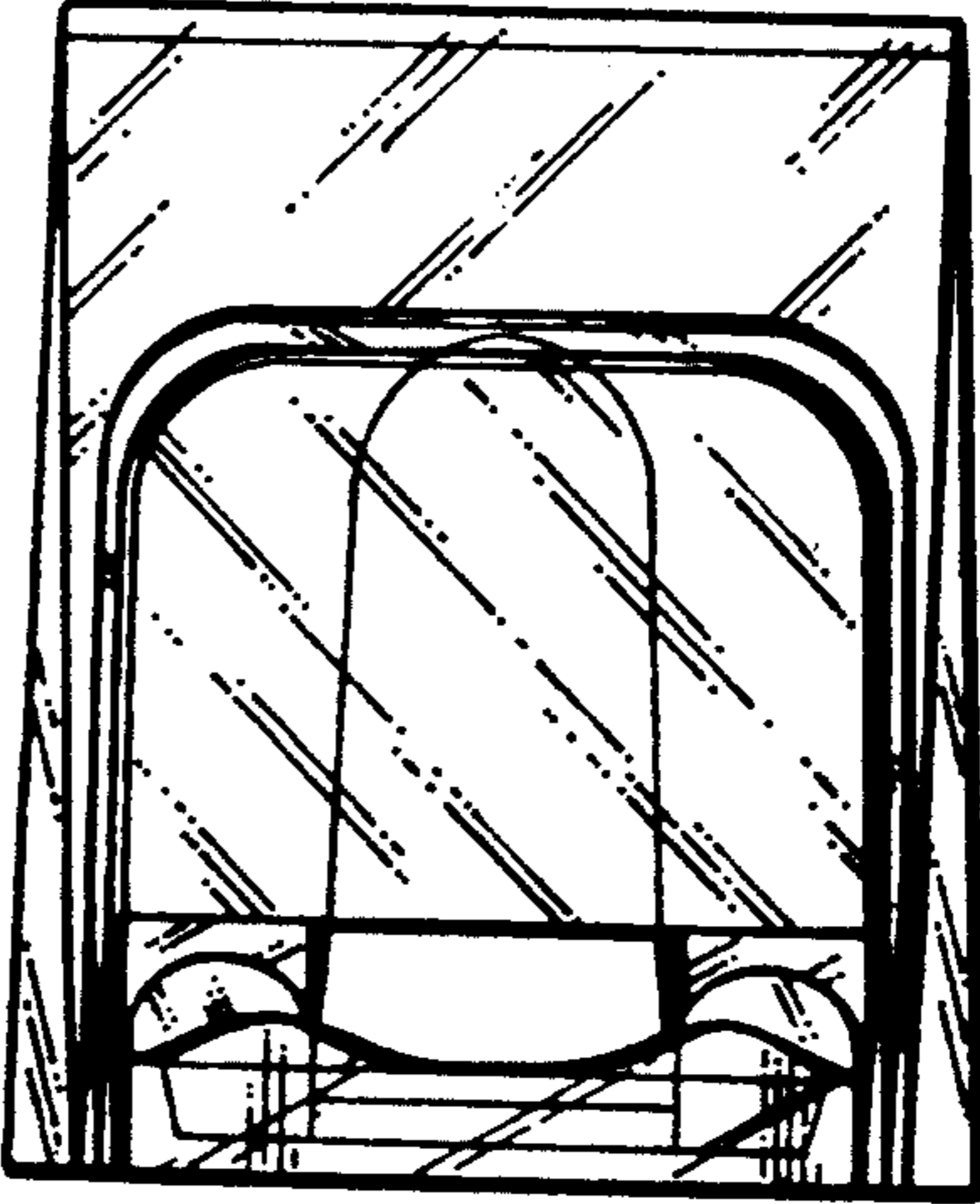


FIG. 8

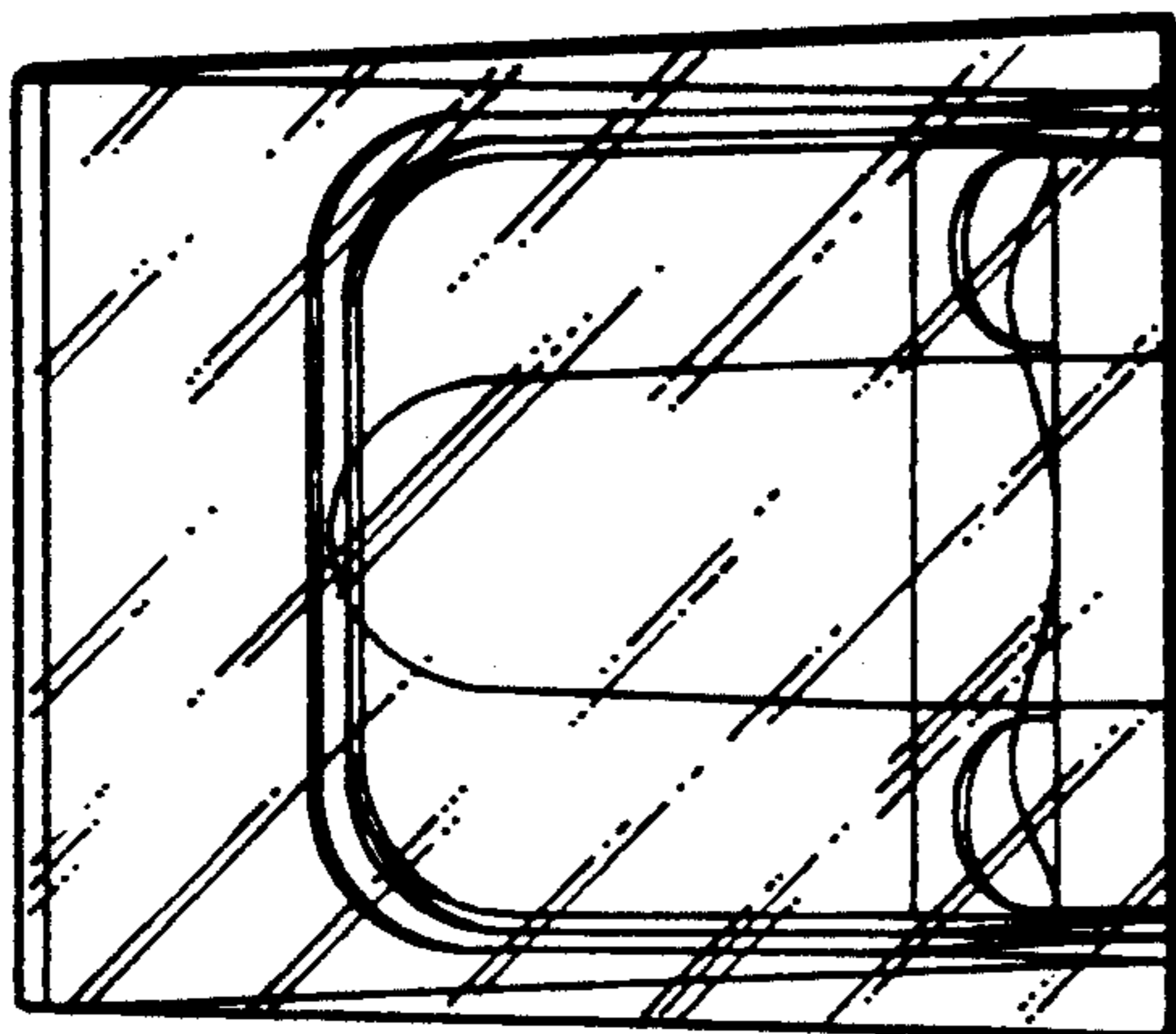


FIG. 9

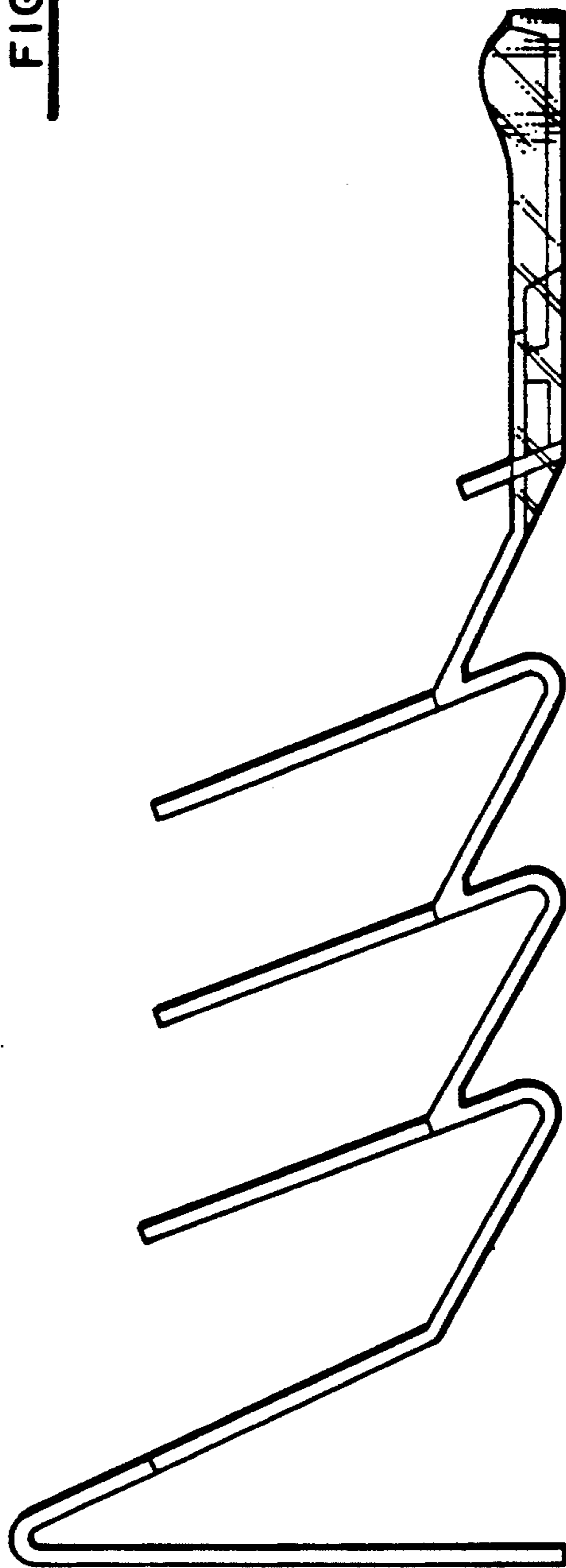


FIG. 10

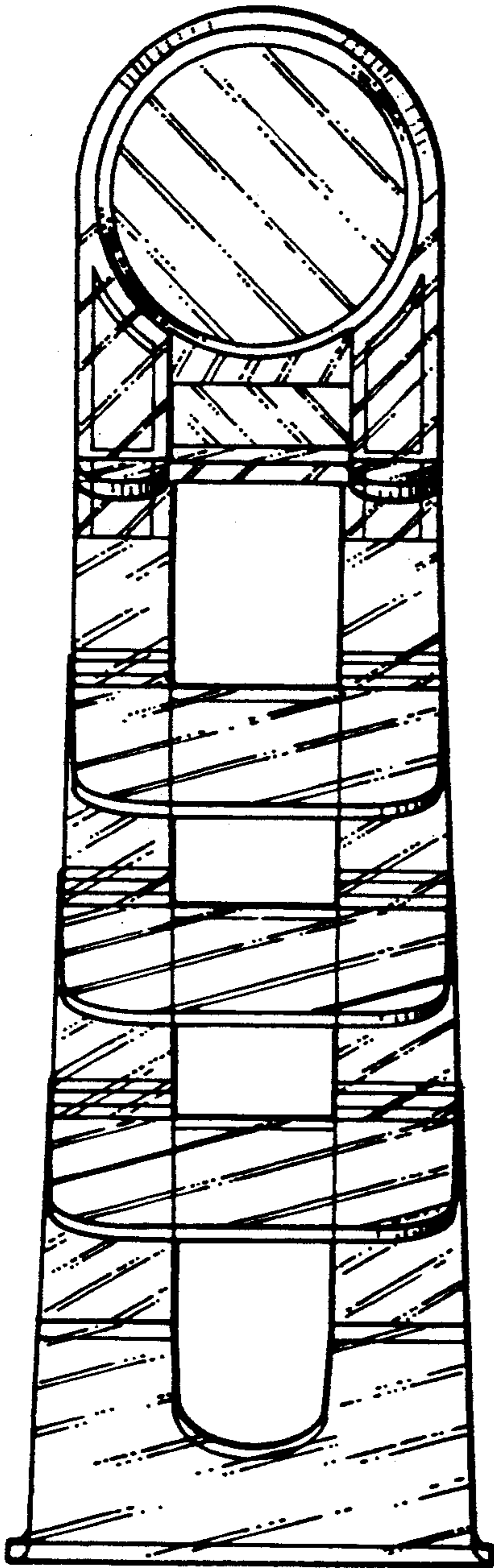


FIG. 11

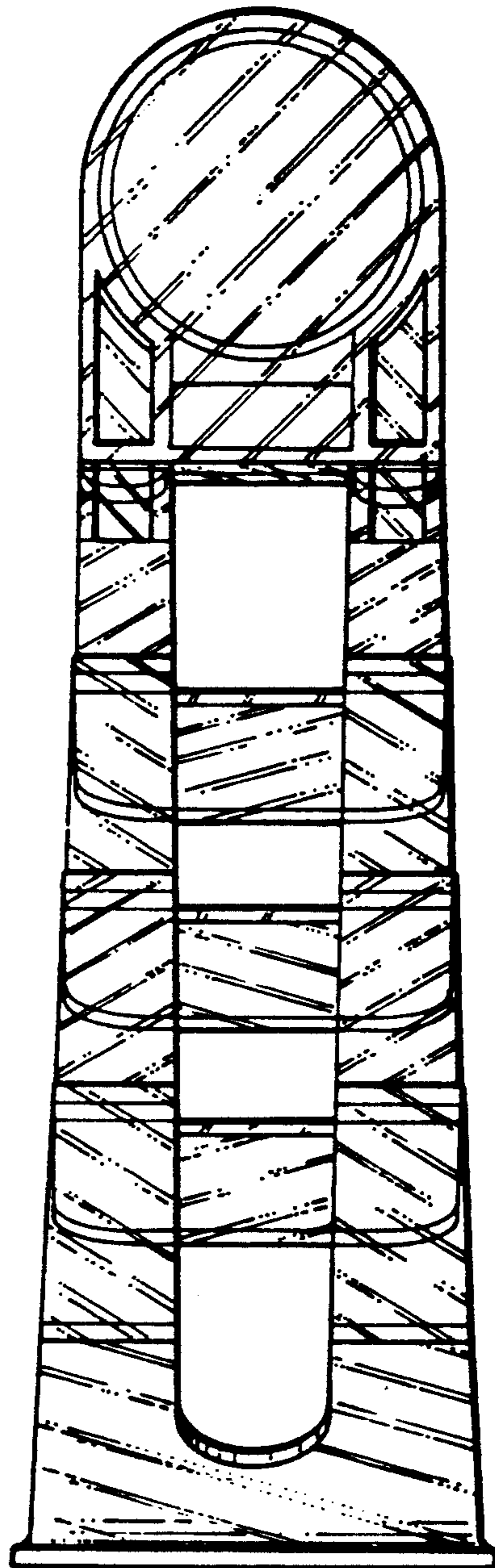


FIG. 12