



US00D343069S

# United States Patent [19]

[11] Patent Number: **Des. 343,069**

Trudo et al.

[45] Date of Patent: **\*\* Jan. 11, 1994**

[54] LOUNGE CHAIR

4,844,540 7/1989 Pegram ..... 297/229 X  
4,892,353 1/1990 Goddard ..... 297/229 X

[76] Inventors: **Richard D. Trudo; Deborah S. Trudo**,  
both of Rte. 1, Box 123, Coolville,  
Ohio 45723

### OTHER PUBLICATIONS

Symbol Sourcebook, ©1972, p. 131, Symbol for motor-  
boating, second up from bottom on far right.  
Sears 1974 Summer Cat., p. 201, Lounge #9 at mid page  
left.

[\*\*] Term: **14 Years**

*Primary Examiner*—Nelson C. Holtje  
*Assistant Examiner*—Gary D. Watson  
*Attorney, Agent, or Firm*—S. Michael Bender

[21] Appl. No.: **677,837**

[22] Filed: **Apr. 1, 1991**

[52] U.S. Cl. .... **D6/361; D6/336**

[58] Field of Search ..... **D6/334, 335, 336, 360,**  
**D6/361, 368, 374, 375, 500, 501, 502; 297/17,**  
**229, 378**

### [57] CLAIM

The ornamental design for a lounge chair, as shown and  
described.

### [56] References Cited

#### U.S. PATENT DOCUMENTS

D. 154,031	6/1949	Eisendrath .....	D6/361
D. 233,090	10/1974	Layton .....	D6/361
D. 235,494	6/1975	Von Joergenson .....	D6/368
D. 261,705	11/1981	Land et al. ....	D6/361
D. 309,836	8/1990	Meredith et al. ....	D6/361
D. 321,606	11/1991	McKinney et al. ....	D6/335 X
2,717,815	9/1955	Hubbard .....	D6/480 X
3,897,102	7/1975	Lemaire .....	D6/361 X
4,273,380	6/1981	Silvestri .....	D6/368 X

### DESCRIPTION

FIG. 1 is a front elevational view of the lounge chair  
showing our new design;  
FIG. 2 is a rear elevational view thereof;  
FIG. 3 is a left side elevational view thereof;  
FIG. 4 is a right side elevational view thereof;  
FIG. 5 is a top plan view thereof;  
FIG. 6 is a bottom plan view thereof; and,  
FIG. 7 is a perspective view thereof.

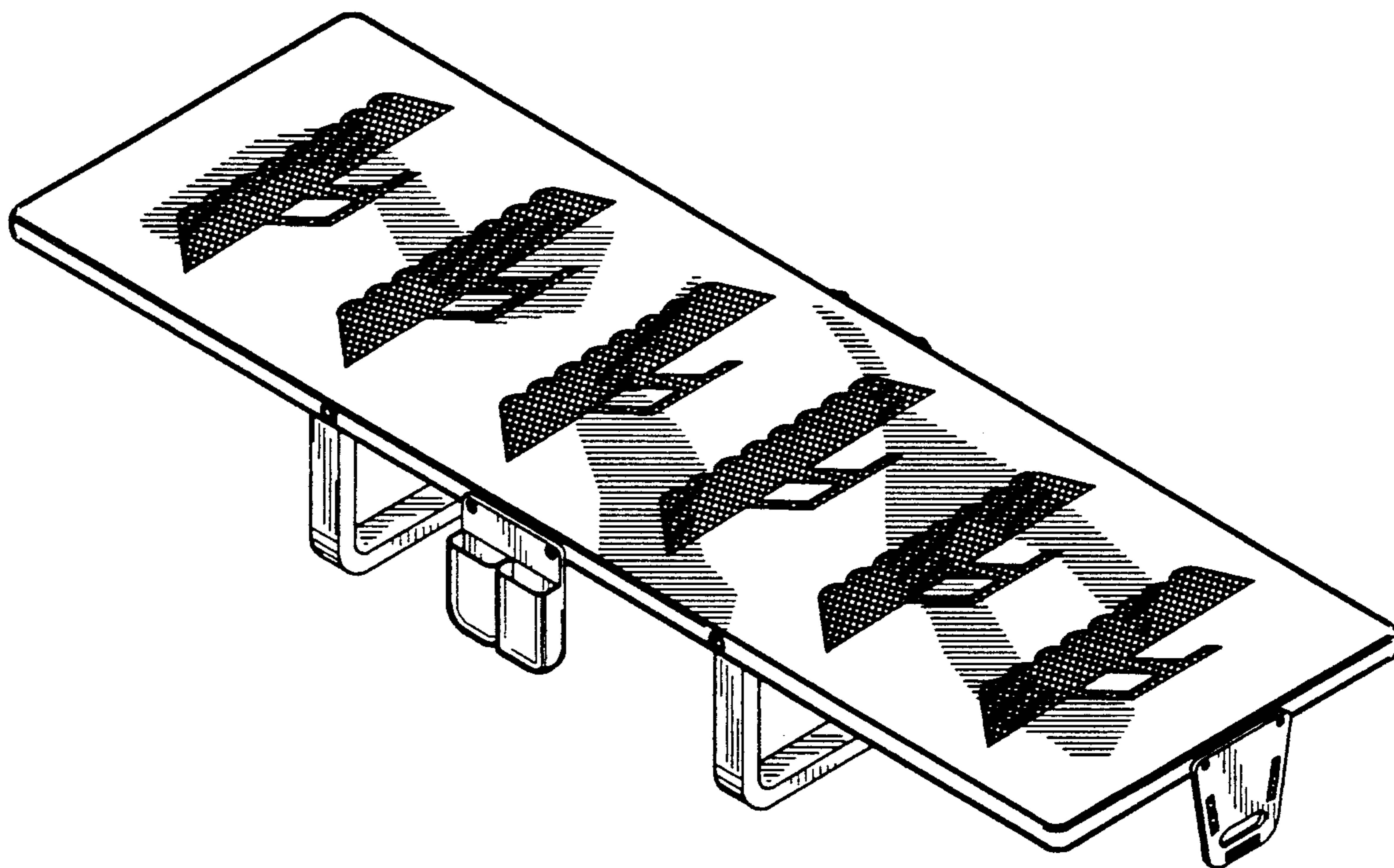


FIG. 1

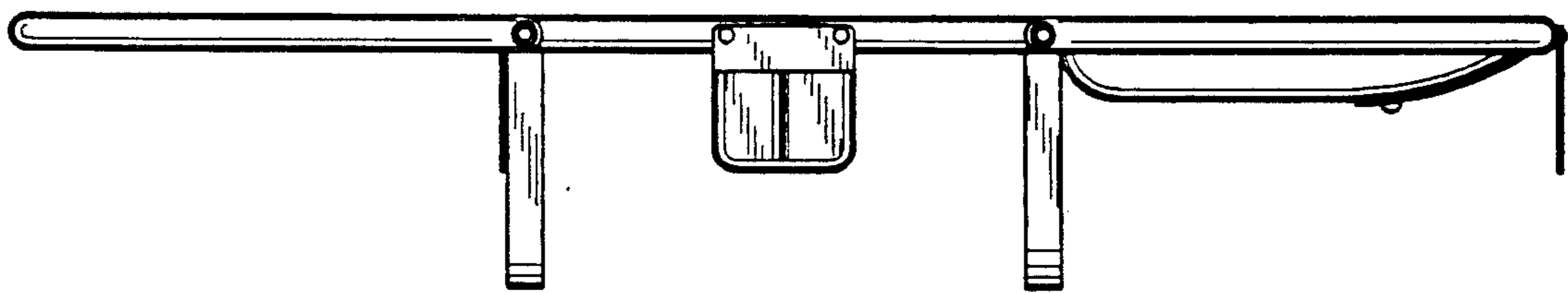
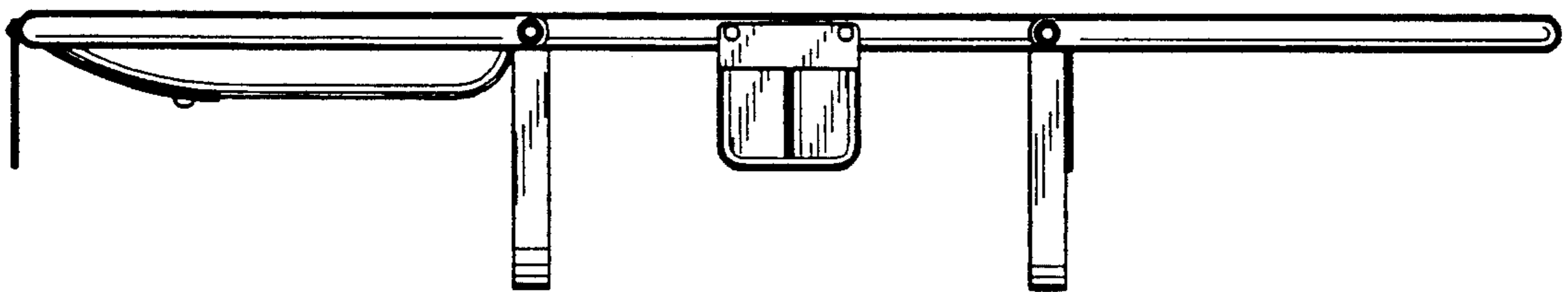
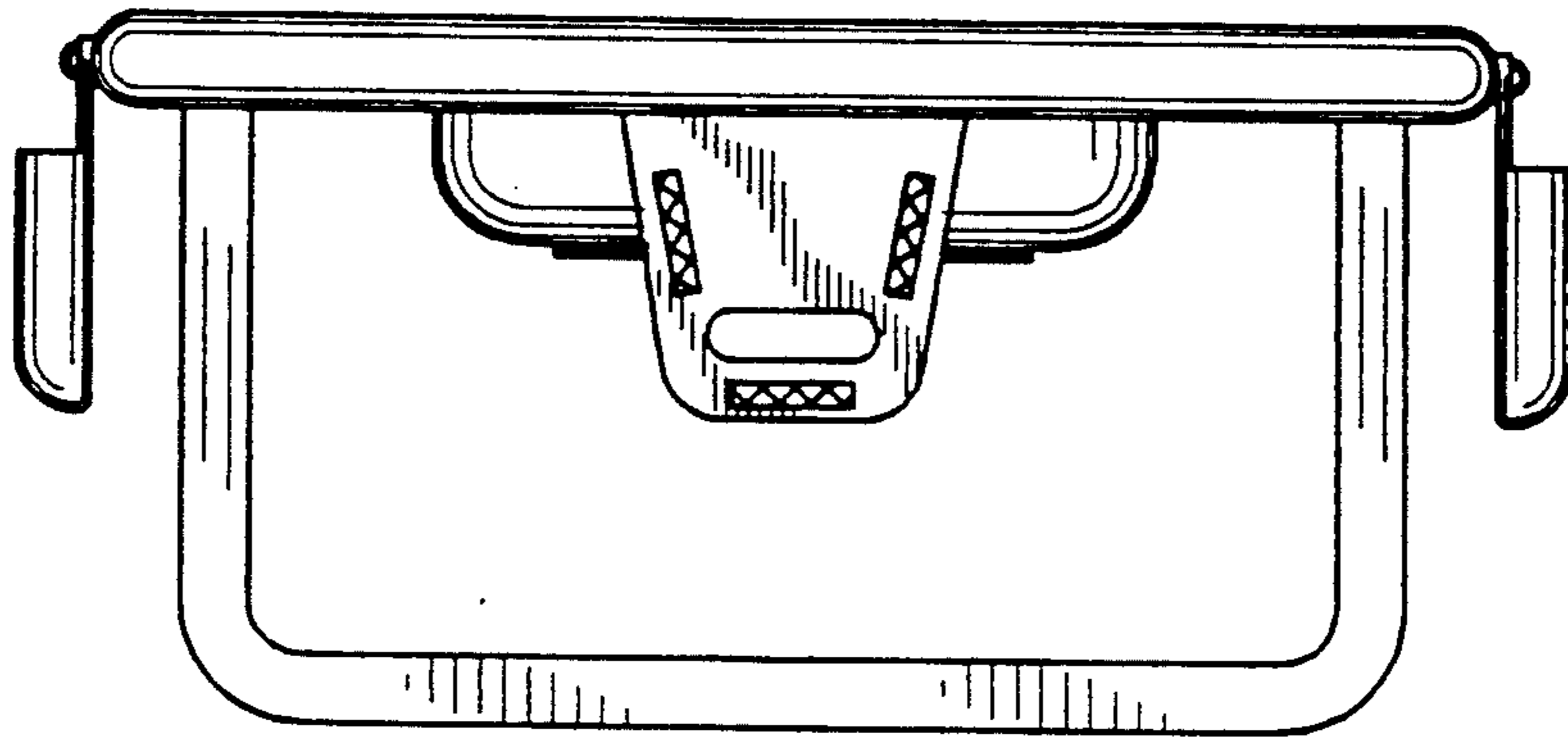


FIG. 2



*FIG. 3*



*FIG. 4*

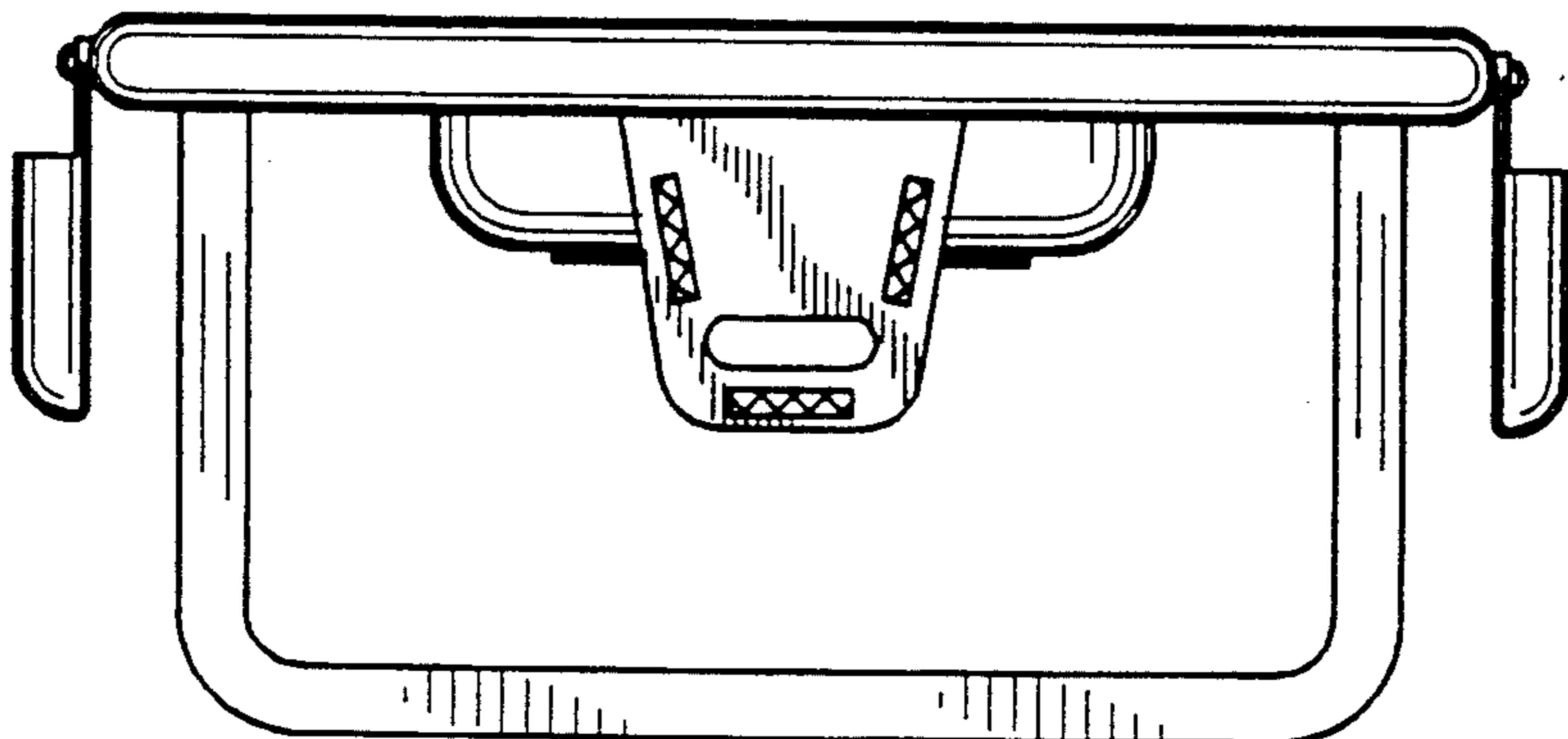


FIG. 5

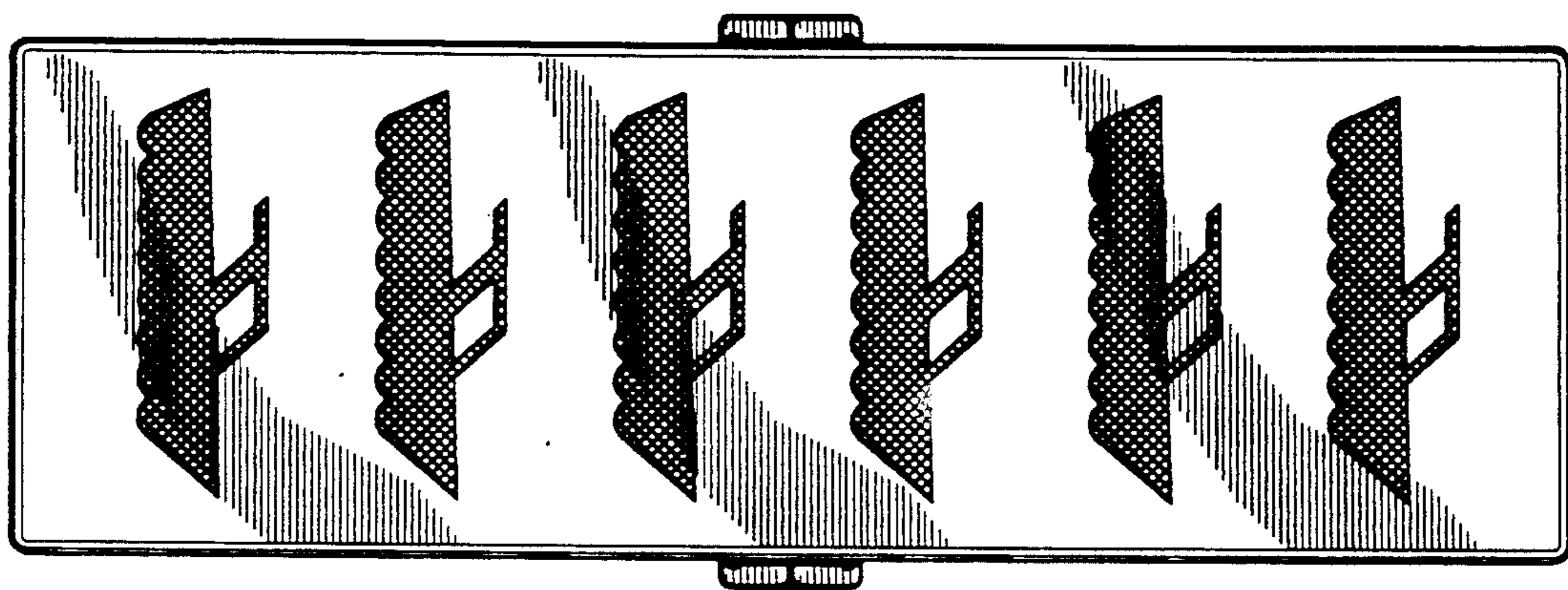


FIG. 6

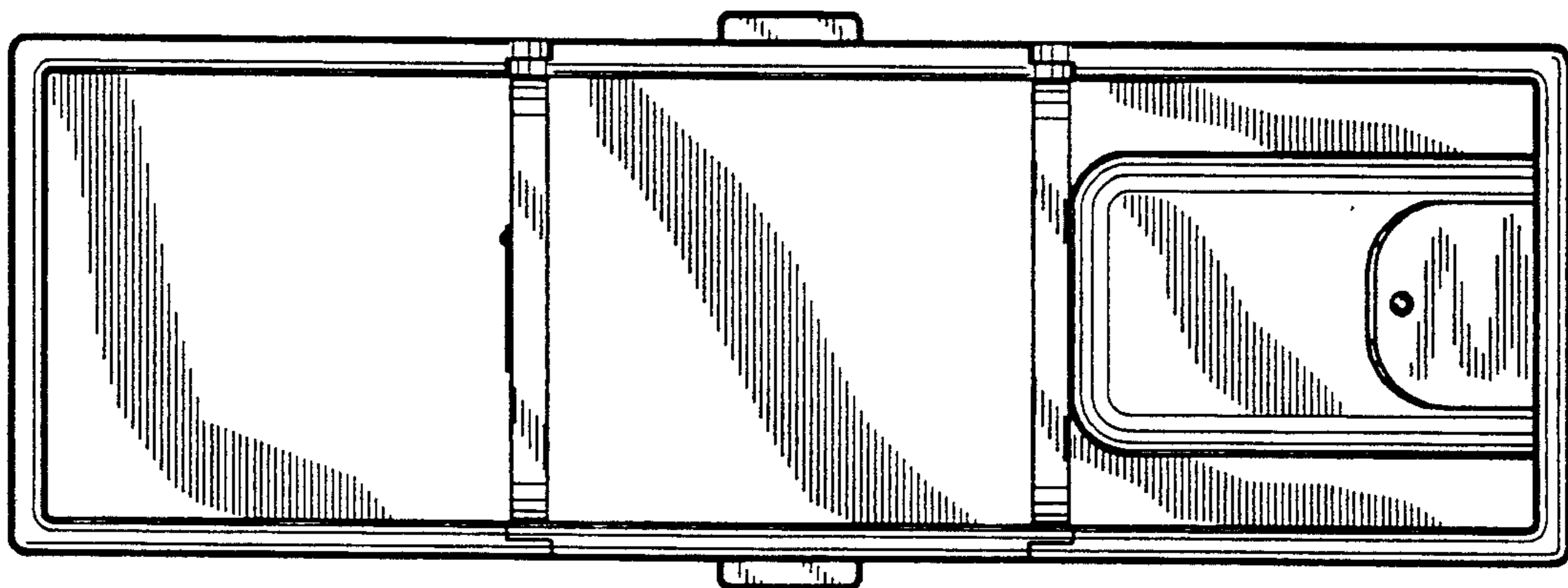


FIG. 7

