



US00D343067S

**United States Patent** [19]  
**Pass**

[11] **Patent Number: Des. 343,067**  
[45] **Date of Patent: \*\* Jan. 11, 1994**

[54] **ADJUSTABLE COMPUTER CHAIR**

D. 292,756 11/1987 Opsvik ..... D6/354 X

[75] **Inventor: Ronald I. Pass, St. Louis County, Mo.**

**FOREIGN PATENT DOCUMENTS**

0000016 1/1988 World Int. Prop. O. .... 297/423

[73] **Assignee: JDI Group Incorporated, St. Louis, Mo.**

**OTHER PUBLICATIONS**

*Schoner Wohner*—Feb. 1988, p. 152, Chair in center.  
*Washington Post Magazine*—Feb. 19, 1984, Balans chair.  
James Davis Home Office.

[\*\*] **Term: 14 Years**

*Primary Examiner*—Nelson C. Holtje  
*Assistant Examiner*—J. E. Seeger  
*Attorney, Agent, or Firm*—Kalish & Gilster

[21] **Appl. No.: 858,766**

[22] **Filed: Mar. 27, 1992**

[52] **U.S. Cl. .... D6/330; D6/354; D6/355**

[58] **Field of Search ..... D6/500-502, 330, 334, 340, 354, 355; 297/187, 195, 423**

[57] **CLAIM**

The ornamental design for an adjustable computer chair, as shown and described.

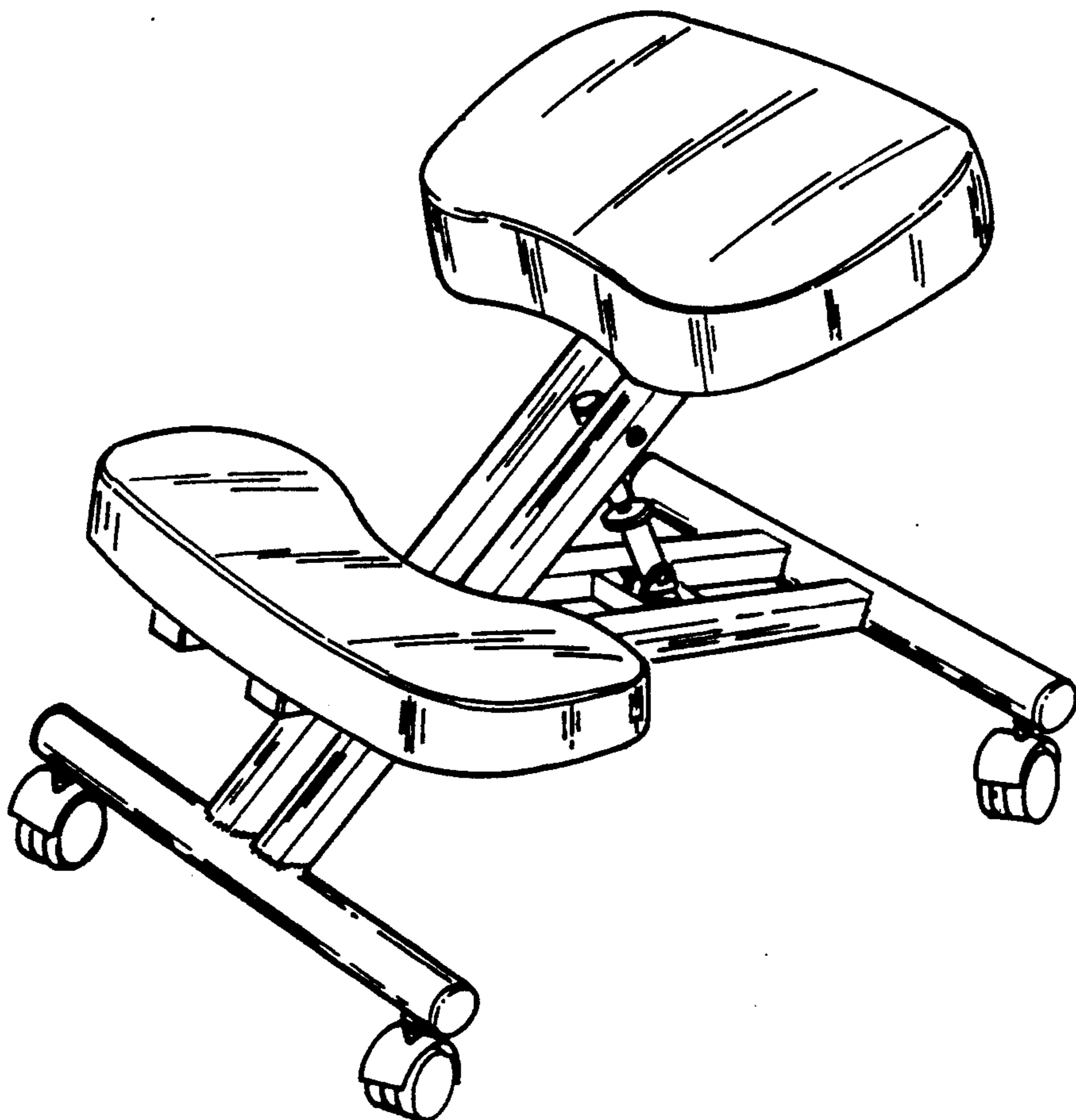
[56] **References Cited**

**U.S. PATENT DOCUMENTS**

D. 271,727 12/1983 Opsvik ..... D6/334  
D. 283,858 5/1986 Opsvik .  
D. 292,453 10/1987 Opsvik ..... D6/354 X

**DESCRIPTION**

FIG. 1 is a front perspective view of an adjustable computer chair showing my new design; and, FIG. 2 is a rear elevational view thereof.



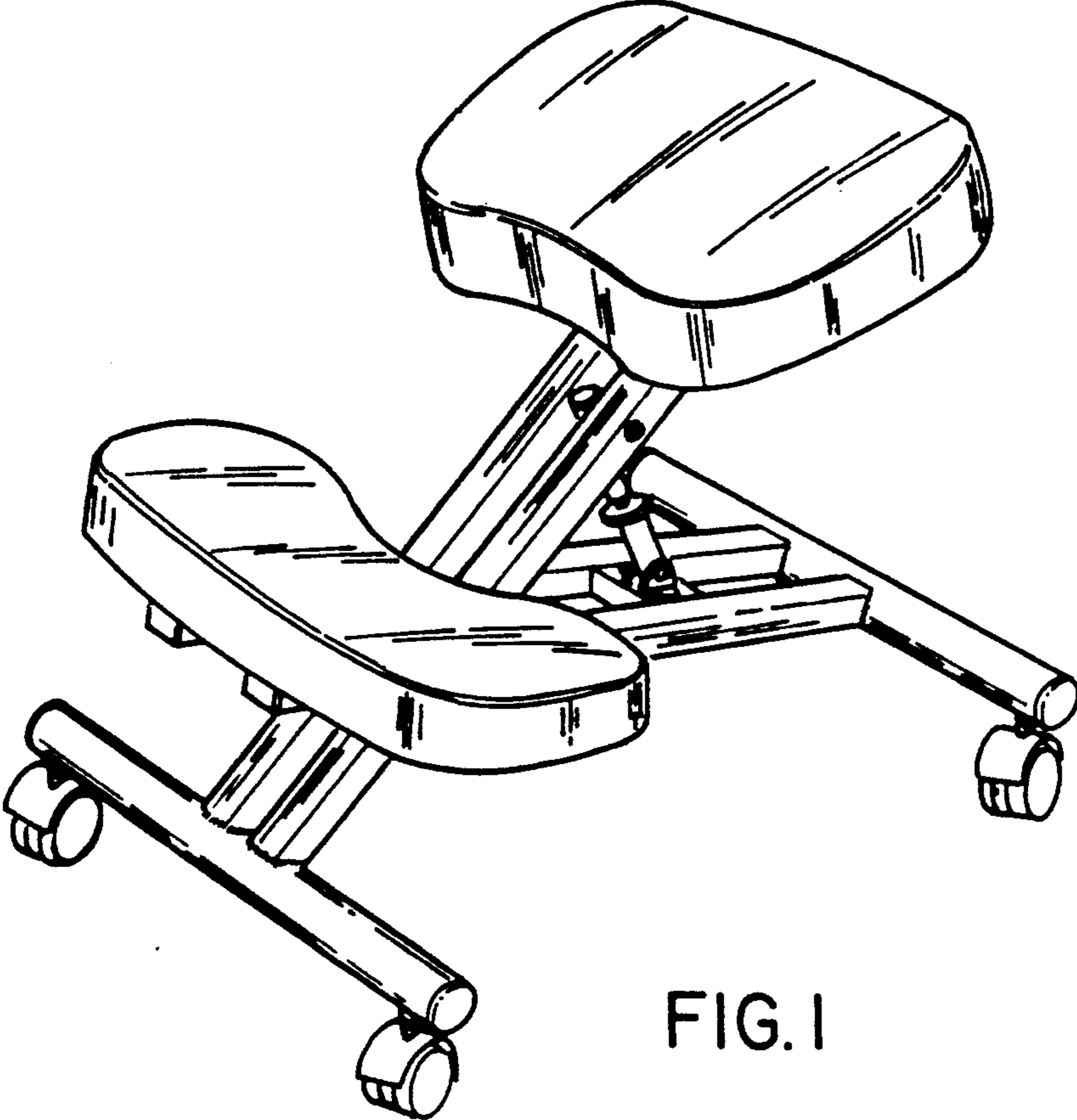


FIG. 1

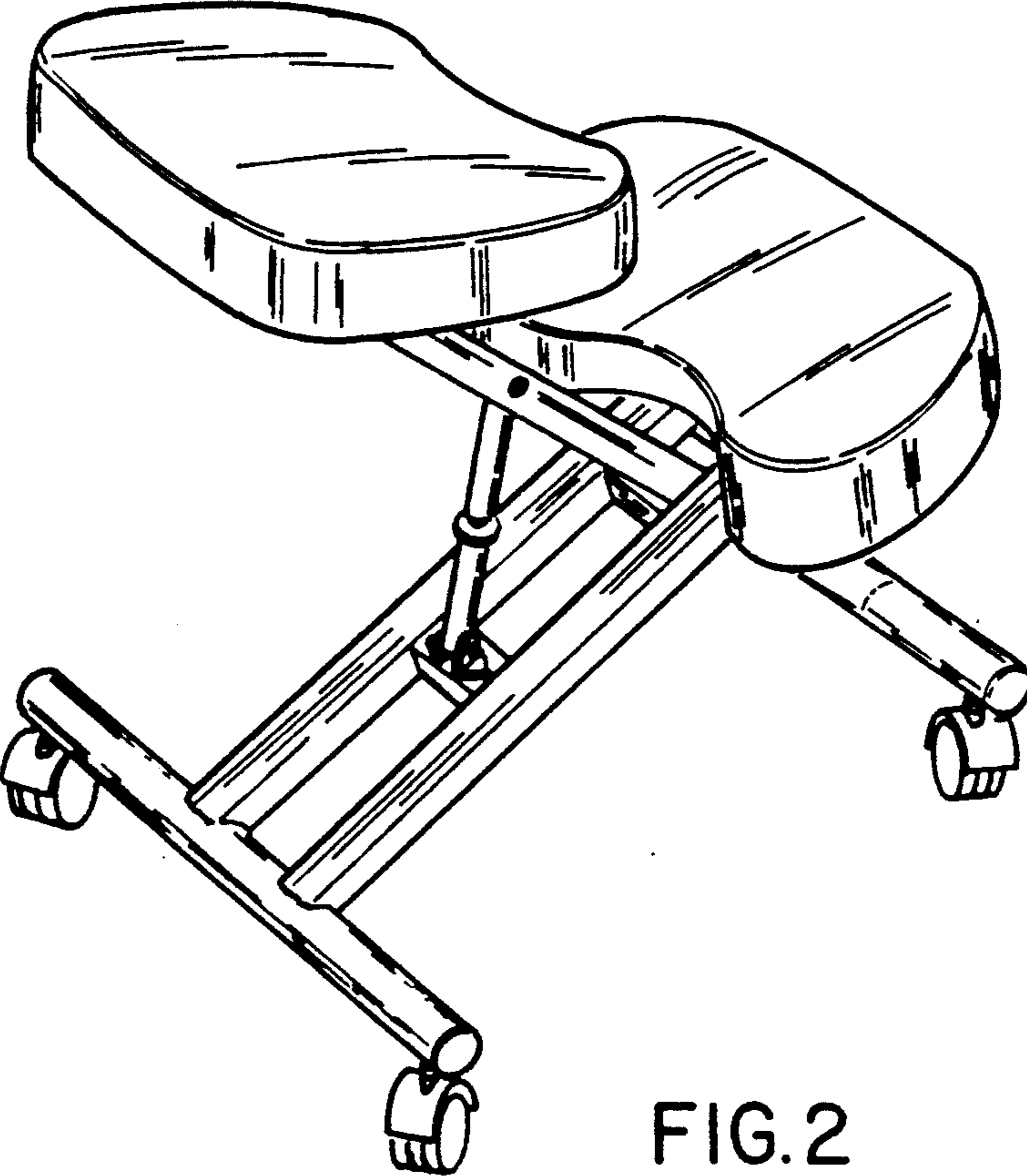


FIG. 2