



US00D343064S

United States Patent [19]

[11] Patent Number: **Des. 343,064**

Reno

[45] Date of Patent: **** Jan. 11, 1994**

[54] **TRAVEL TOOTHBRUSH**

4,503,871 3/1985 Mendenhall 401/268 X
4,665,921 5/1987 Teranishi et al. 15/167.1 X

[75] Inventor: **Larry J. Reno, Scottsdale, Ariz.**

Primary Examiner—Susan J. Lucas
Assistant Examiner—Lavone D. Tabor
Attorney, Agent, or Firm—Kenneth J. Hovet

[73] Assignee: **World Harbors, Inc., Scottsdale, Ariz.**

[**] Term: **14 Years**

[57] **CLAIM**

[21] Appl. No.: **828,470**

The ornamental design for a travel toothbrush, as shown and described.

[22] Filed: **Jan. 30, 1992**

[52] U.S. Cl. **D4/104**

DESCRIPTION

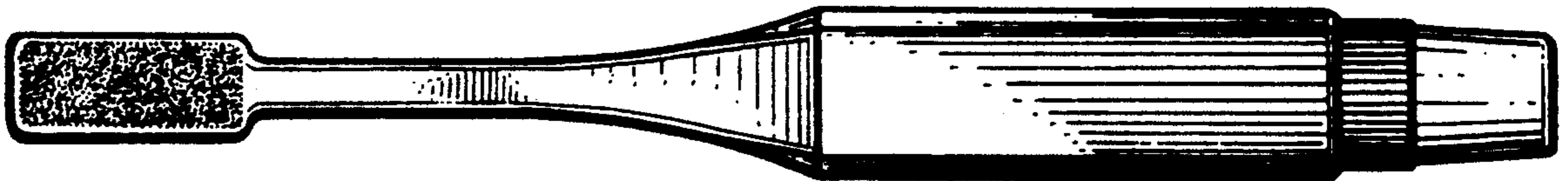
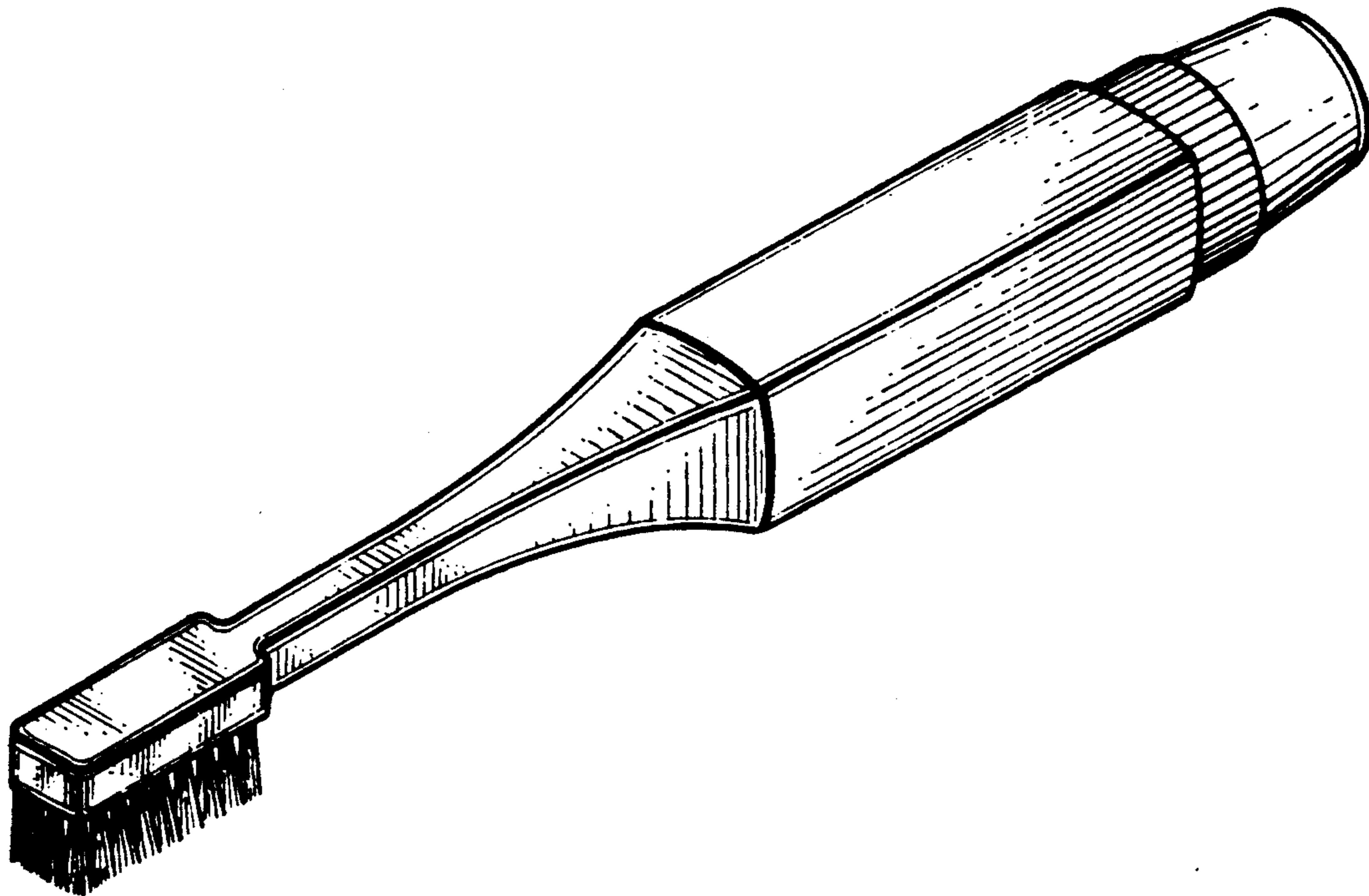
[58] Field of Search D4/104-112,
114, 134, 138; 15/143.1, 159.1, 160,
167.1-167.2; 401/143, 171, 175-176,
268-271, 275-280, 282, 286, 291

FIG. 1 is a top right side perspective view of a travel toothbrush showing my new design;
FIG. 2 is a front end elevational view of the toothbrush shown in FIG. 1;
FIG. 3 is a right side elevational view thereof, the left side being identical thereto;
FIG. 4 is a top plan view thereof; and,
FIG. 5 is a bottom plan view thereof; and,
FIG. 6 is a rear end elevational view thereof.

[56] **References Cited**

U.S. PATENT DOCUMENTS

D. 281,653 12/1985 Baity D4/108
3,677,264 7/1972 Brockman 15/167.2 X



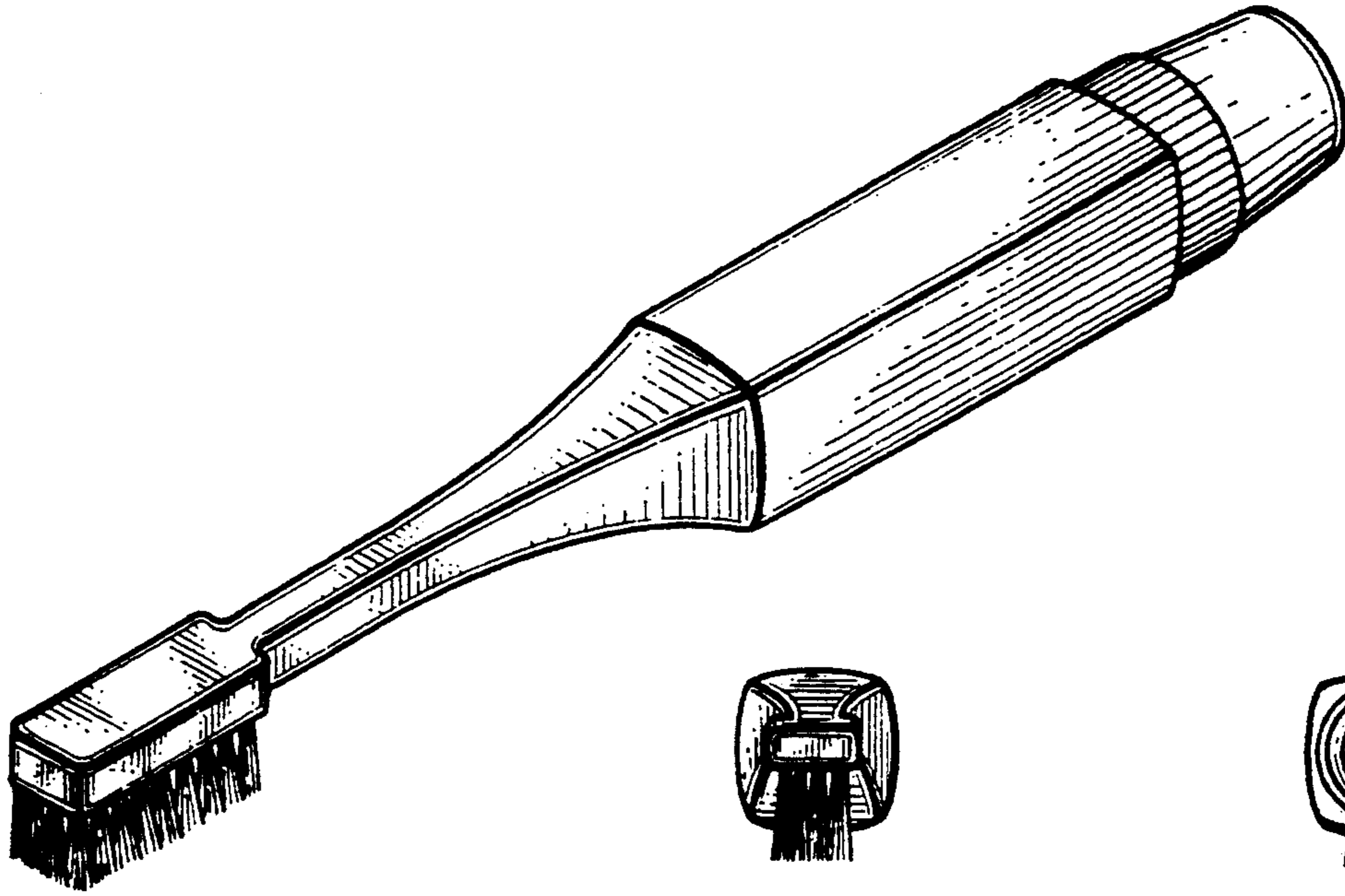


Fig. 1

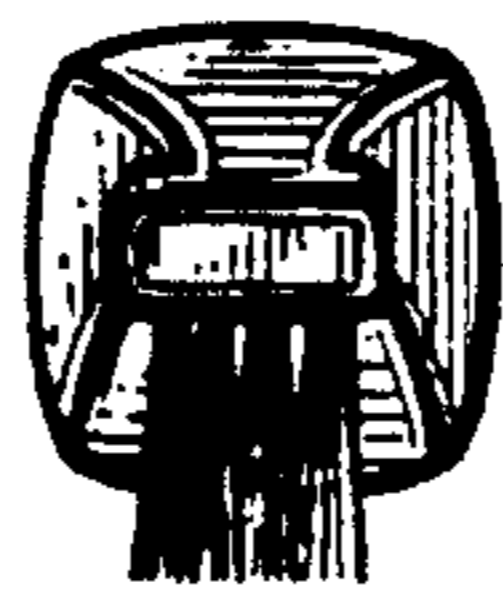


Fig. 2



Fig. 6

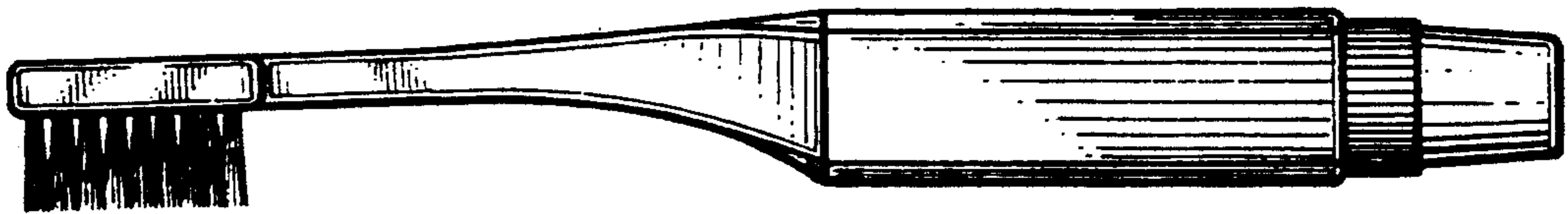


Fig. 3

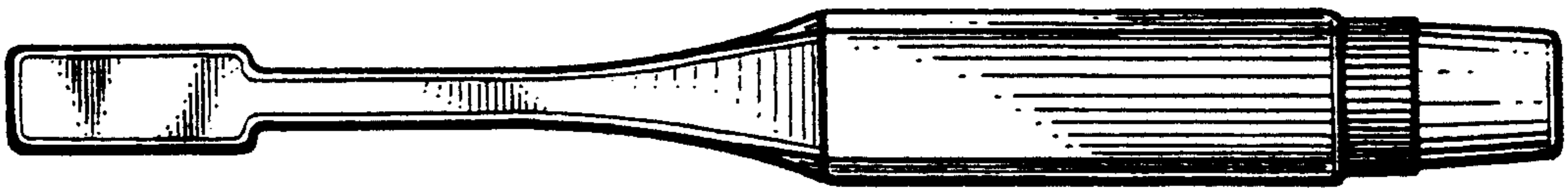


Fig. 4

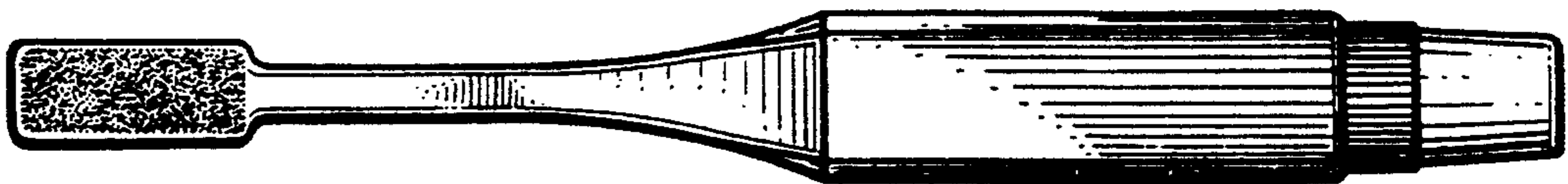


Fig. 5