



US00D343063S

United States Patent [19]

[11] Patent Number: **Des. 343,063**

Chen

[45] Date of Patent: **** Jan. 11, 1994**

[54] **TOOL BOX**

5,145,064 9/1992 Chen 206/372

[76] Inventor: **Shen F. Chen**, No. 14, Kung Yeh San Rd., Industrial Dist., Taichung, Taiwan

Primary Examiner—Melvin B. Feifer
Assistant Examiner—Paula Mortimer
Attorney, Agent, or Firm—Morton J. Rosenberg; David I. Klein

[**] Term: **14 Years**

[21] Appl. No.: **889,096**

[57] **CLAIM**

[22] Filed: **May 27, 1992**

The ornamental design for a tool box, as shown and described.

[52] U.S. Cl. **D3/78; D3/74**

[58] Field of Search **D3/78, 74, 72, 75, 30.1; 312/902, 244, DIG.; 206/372, 373; 190/115, 111, 119, 118, 109, 902, 112**

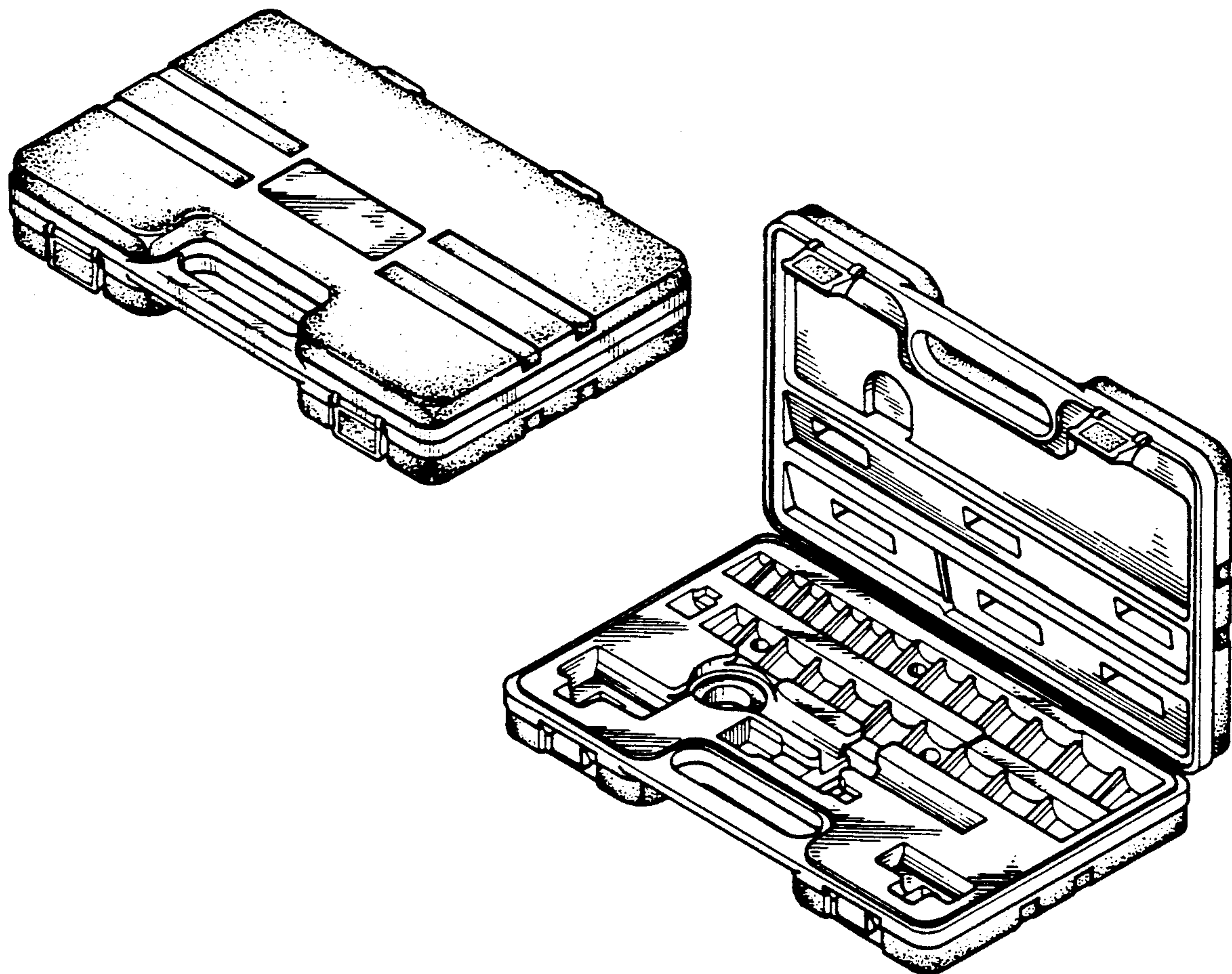
DESCRIPTION

[56] **References Cited**

U.S. PATENT DOCUMENTS

D. 231,151	4/1974	Brefka	D3/73 X
D. 318,367	7/1991	Chen	D3/74 X
1,933,894	11/1993	Clink	D3/74 X
3,923,152	12/1975	Minneman	206/372 X
5,114,007	5/1992	Chen	312/902 X

FIG. 1 is a perspective view of a tool box showing my design;
FIG. 2 is a front elevational view thereof;
FIG. 3 is a rear elevational view thereof;
FIG. 4 is a top plan view thereof;
FIG. 5 is a bottom plan view thereof;
FIG. 6 is a left side elevational view thereof;
FIG. 7 is a right side elevational view thereof; and,
FIG. 8 is a perspective view illustrating the interior of the tool box of my new design.



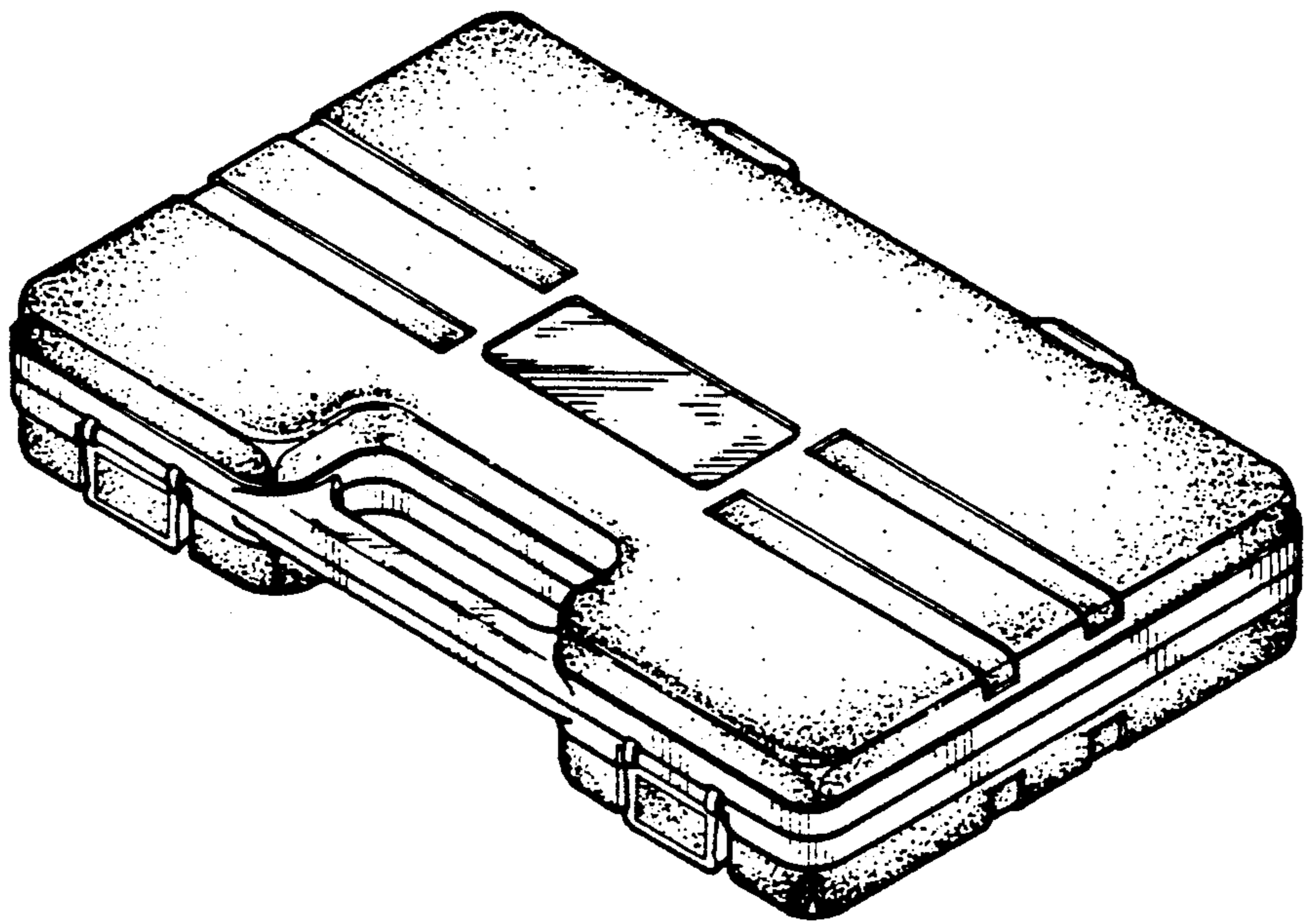


FIG.1

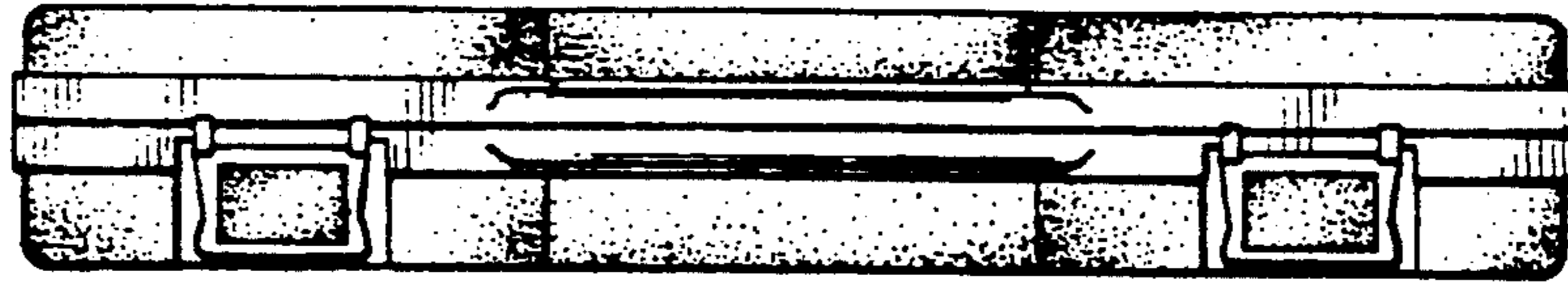


FIG. 2

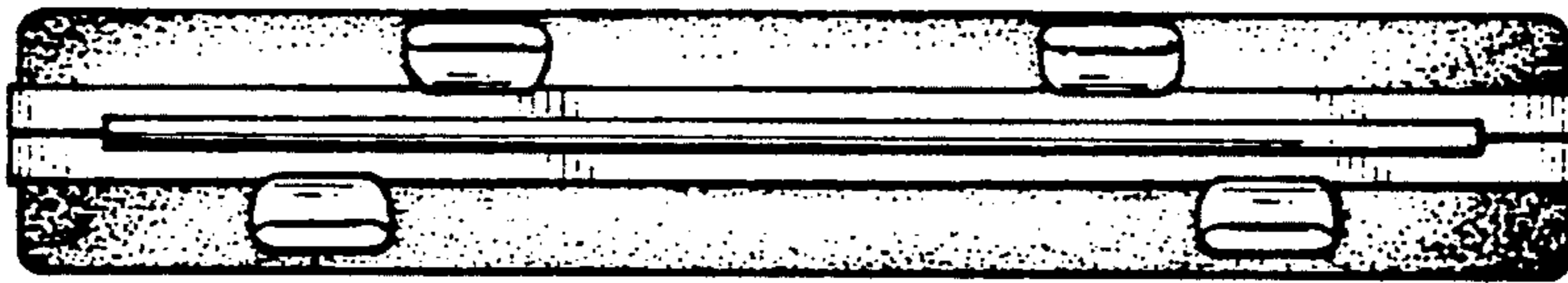


FIG. 3

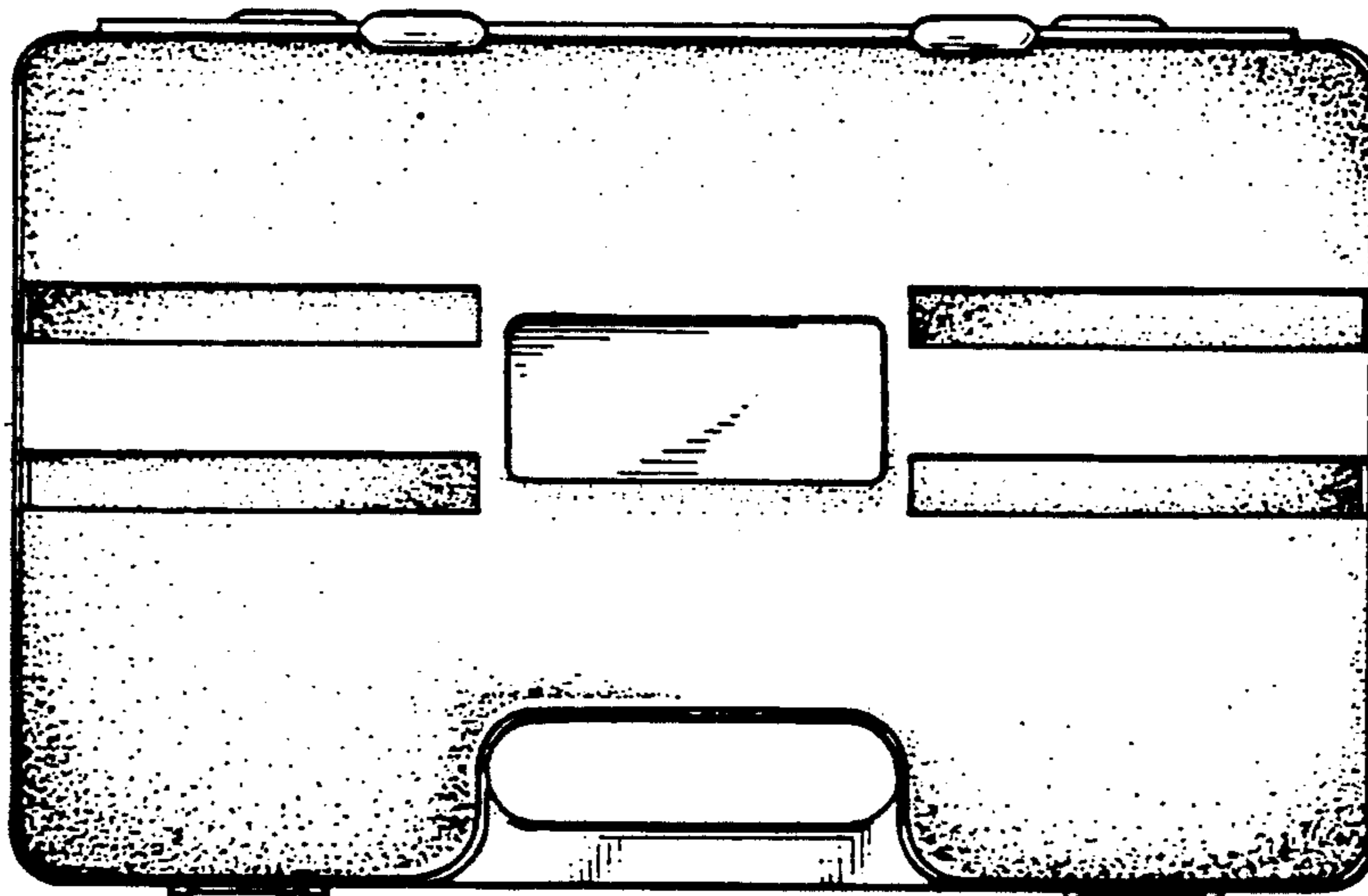


FIG. 4

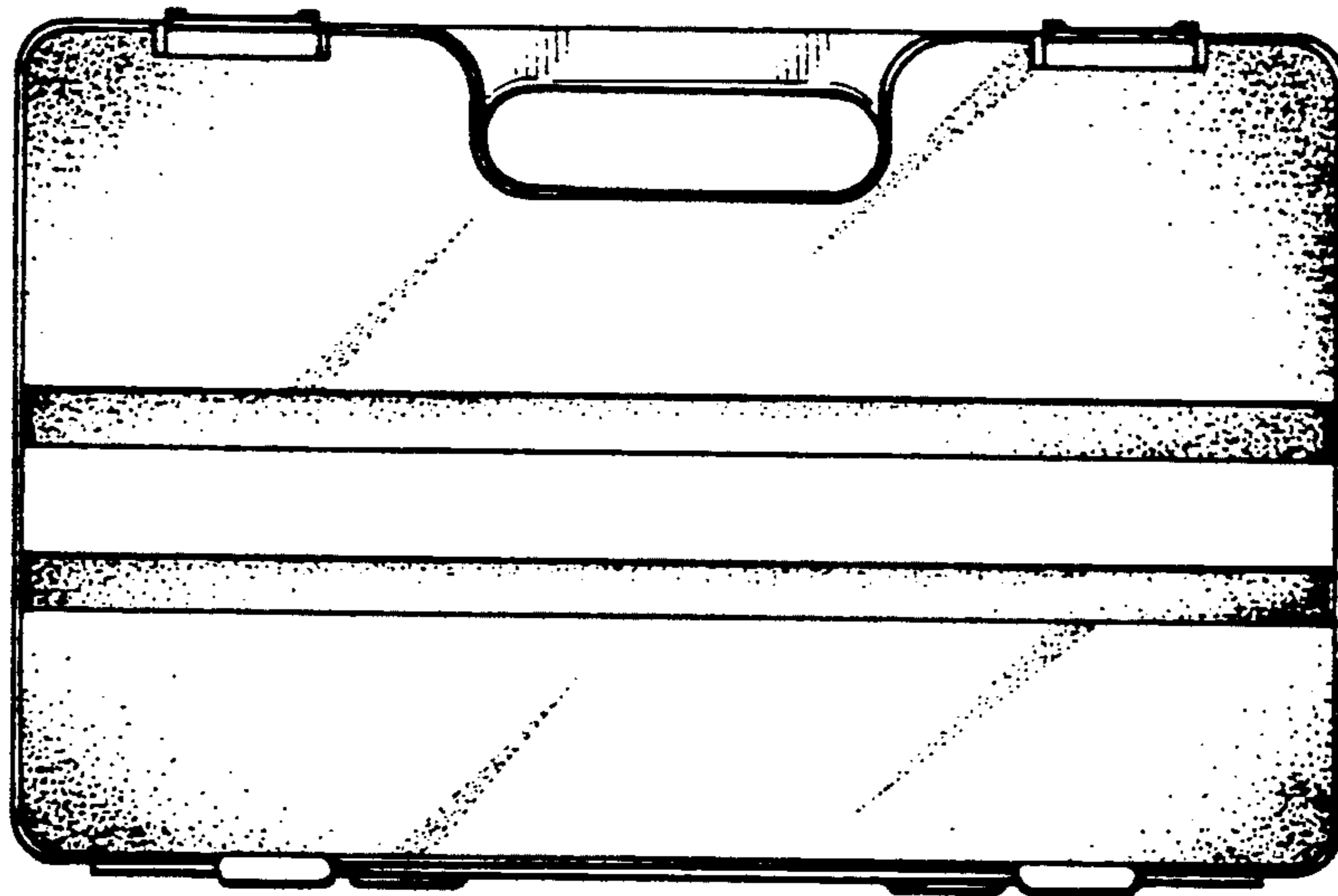


FIG. 5

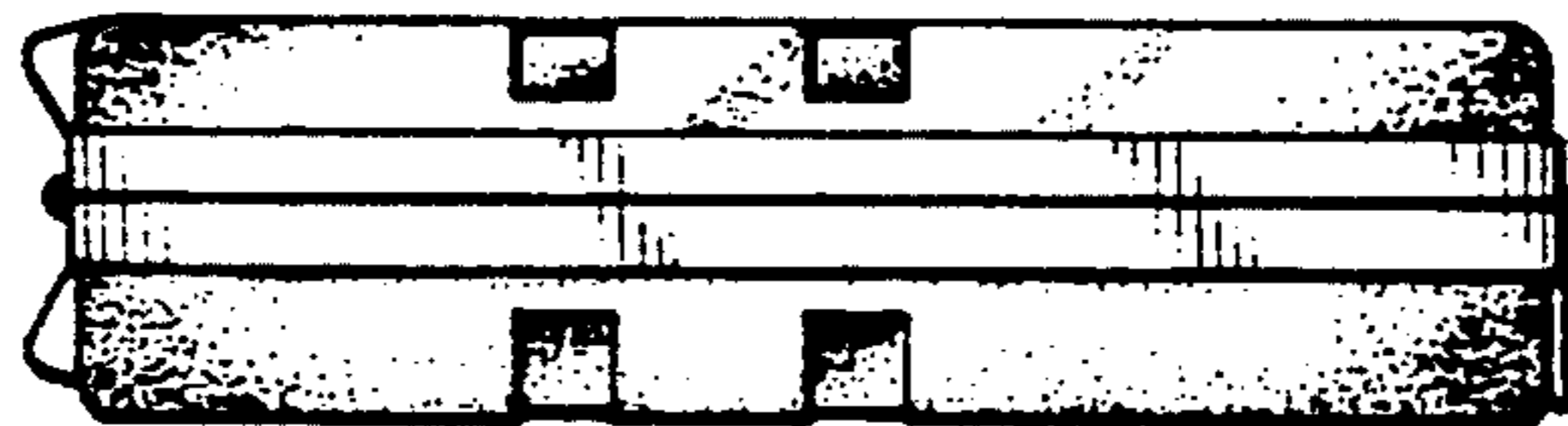


FIG. 6



FIG. 7

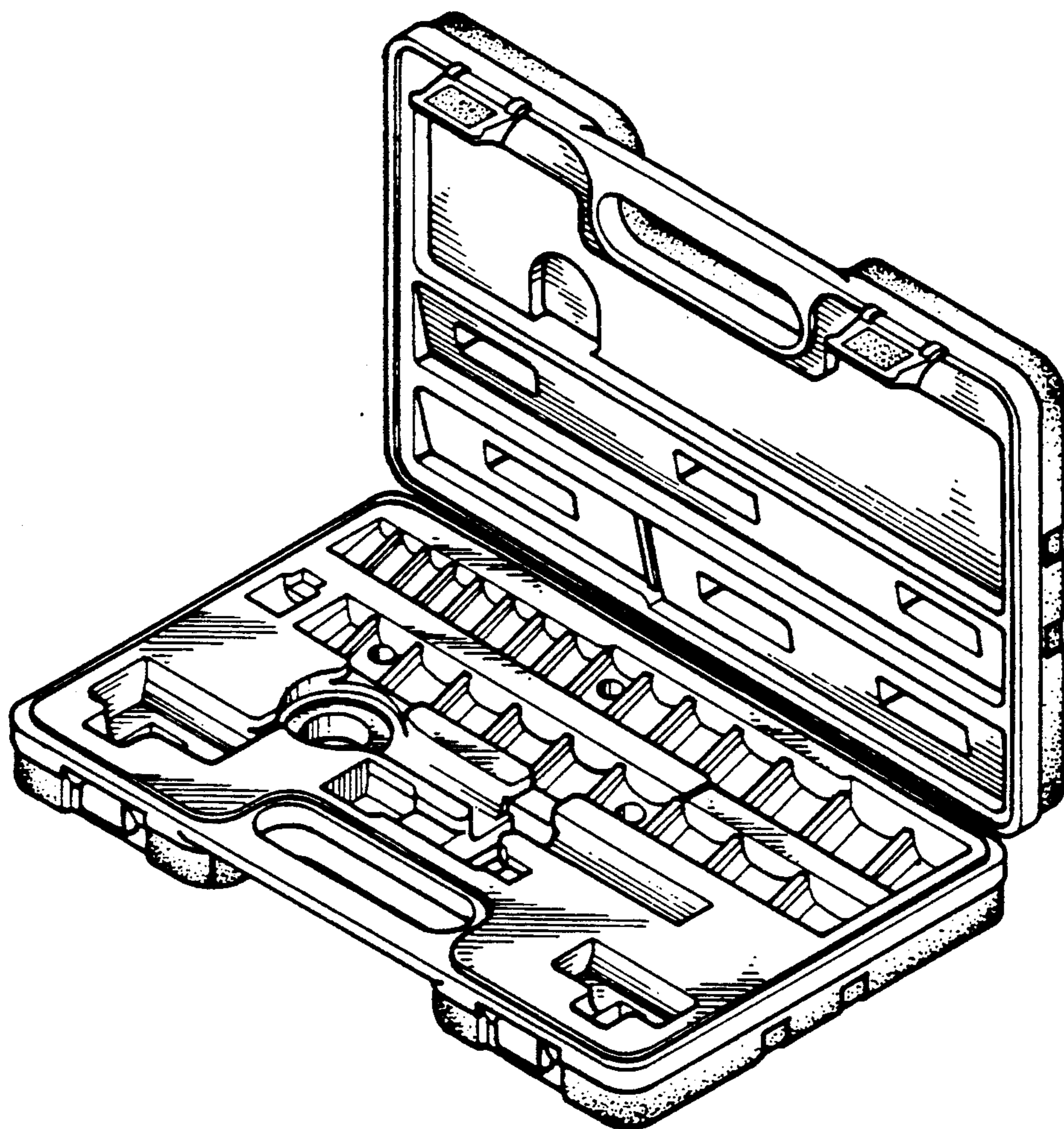


FIG. 8