



US00D343057S

United States Patent [19]

[11] Patent Number: **Des. 343,057**

Dickinson

[45] Date of Patent: **** Jan. 11, 1994**

[54] BOW CASE

[75] Inventor: **Thomas Dickinson, St. Louis, Mo.**

[73] Assignee: **Contico International, Inc., St. Louis, Mo.**

[**] Term: **14 Years**

[21] Appl. No.: **919,176**

[22] Filed: **Jul. 23, 1992**

[52] U.S. Cl. **D3/38; D3/36**

[58] Field of Search **D3/36, 38, 72, 73, 76, D3/99; 43/26; 206/314, 315.11, 317; 190/117, 119**

[56] References Cited

U.S. PATENT DOCUMENTS

D. 246,138	10/1977	Christensen et al.	D3/38
D. 278,189	4/1985	Frydenberg	D3/38
D. 300,583	4/1989	Smith	D3/72
D. 320,113	9/1991	VanSkiver	D3/38
4,576,307	3/1986	Frydenberg	220/324

OTHER PUBLICATIONS

1992 *Hunting Catalog*, Woodstream, an EKCO Group Company, P.O. Box 327, Lititz, Pa. 17543-0327.

1990 *Gun Guard Catalog*, Doskocil Mfg. Co., Inc., P.O. Box 1246, Arlington Tex. 76010.

1992 *Hunting Catalog*, Bass Pro Shops, 1935 S. Campbell, Springfield, Mo. 65898-0300; see particularly pp. 148-149.

Archery Business, Aug./Sep. 1991; see particularly p. 15.

Primary Examiner—A. Hugo Word

Assistant Examiner—Doris V. Coles

Attorney, Agent, or Firm—Rogers, Howell & Haferkamp

[57] CLAIM

The ornamental design for a bow case, as shown and described.

DESCRIPTION

FIG. 1 is a perspective view of bow case showing my new design;

FIG. 2 is a left side elevational view thereof;

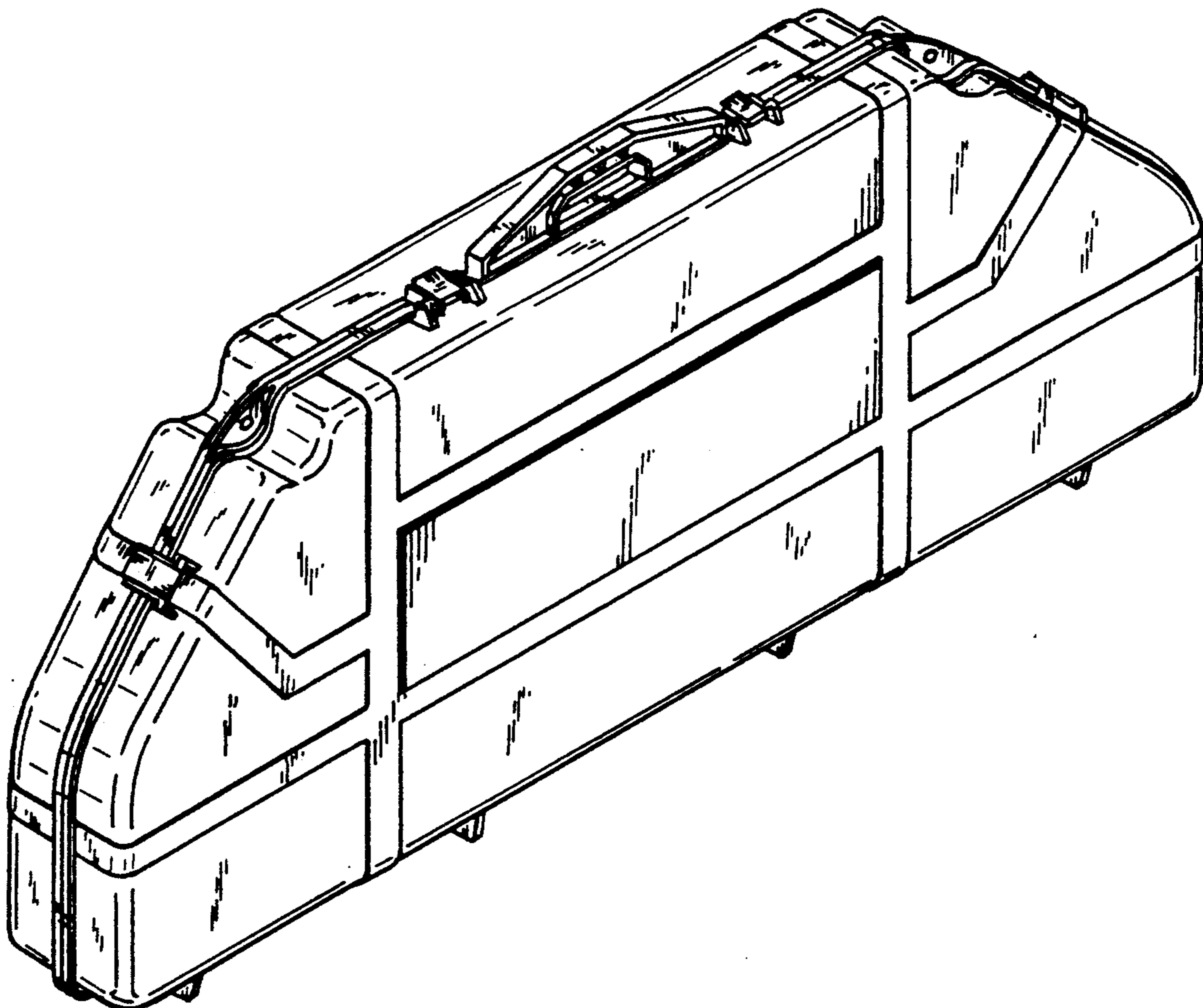
FIG. 3 is a top plan view thereof;

FIG. 4 is a right side elevational view thereof;

FIG. 5 is a bottom plan view thereof;

FIG. 6 is a left end elevational view thereof; and,

FIG. 7 is a right end elevational view thereof.



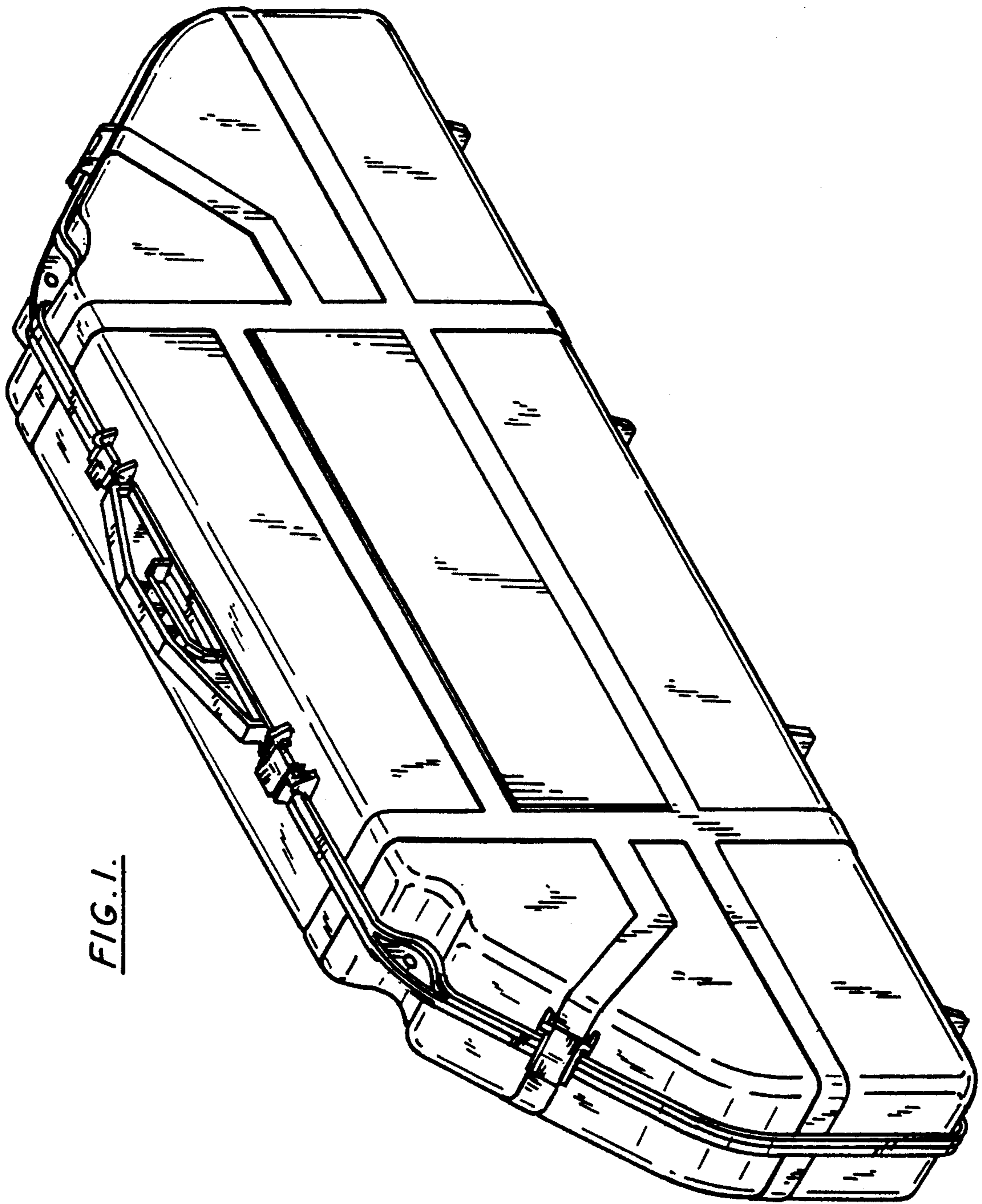


FIG. 1.

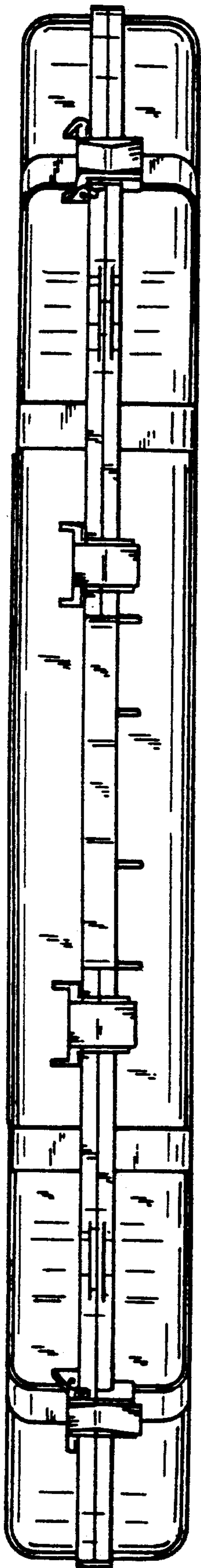


FIG. 3.

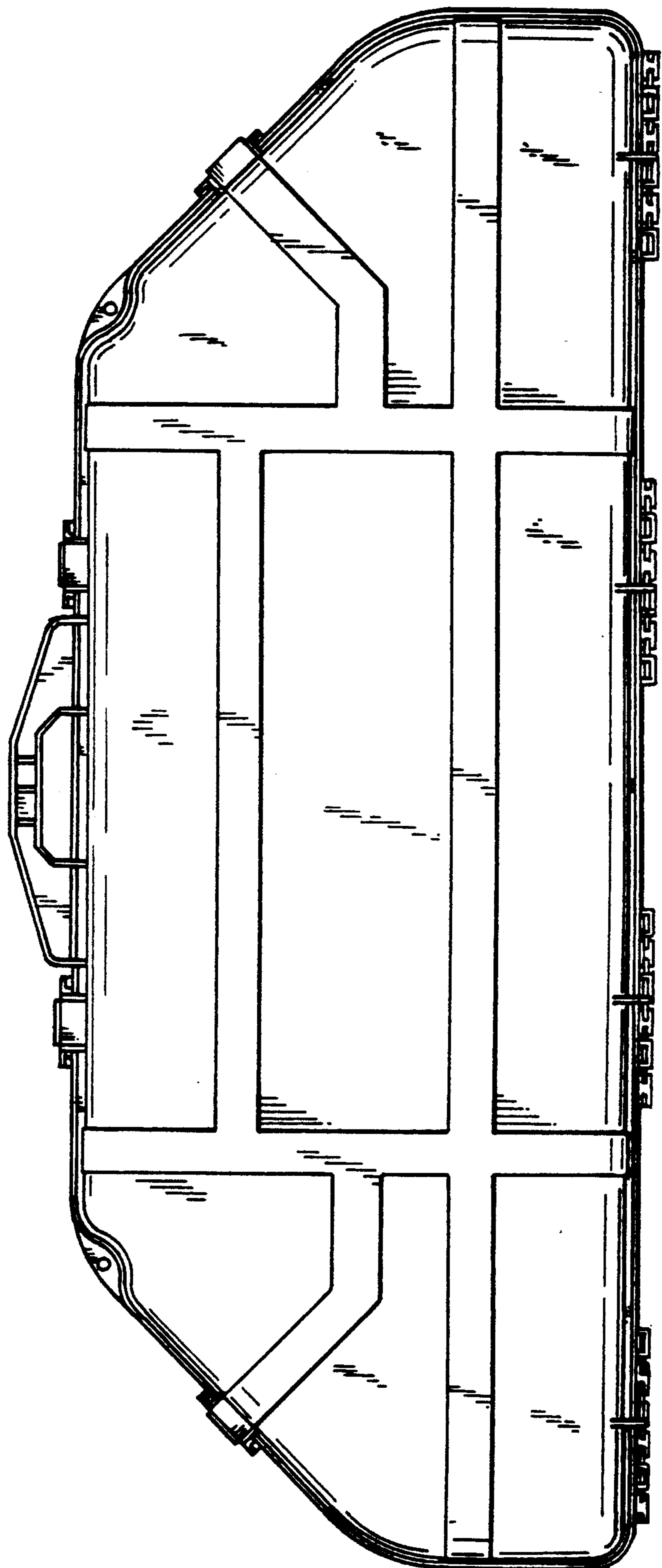


FIG. 2.

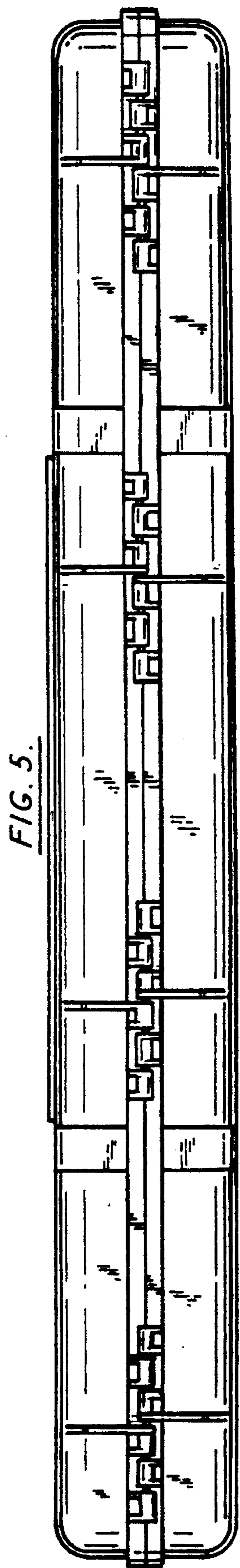
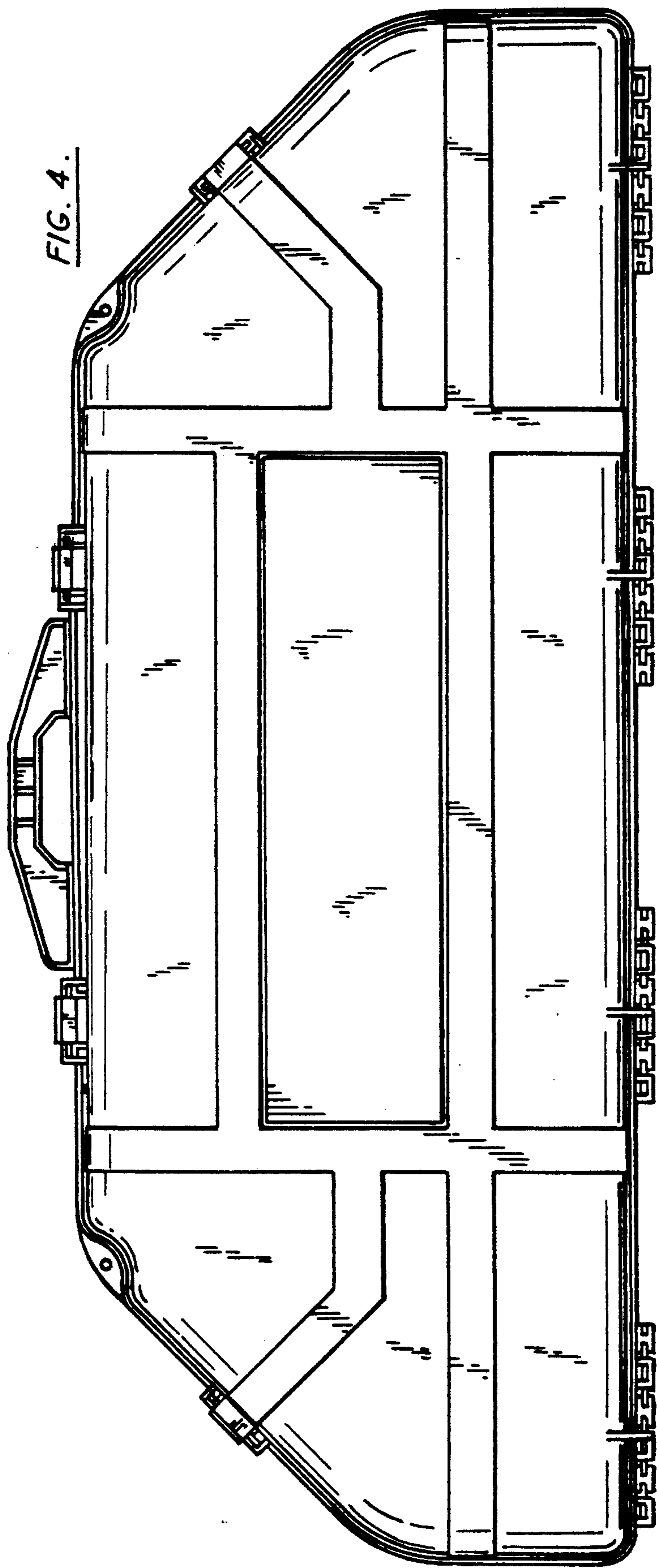


FIG. 6.

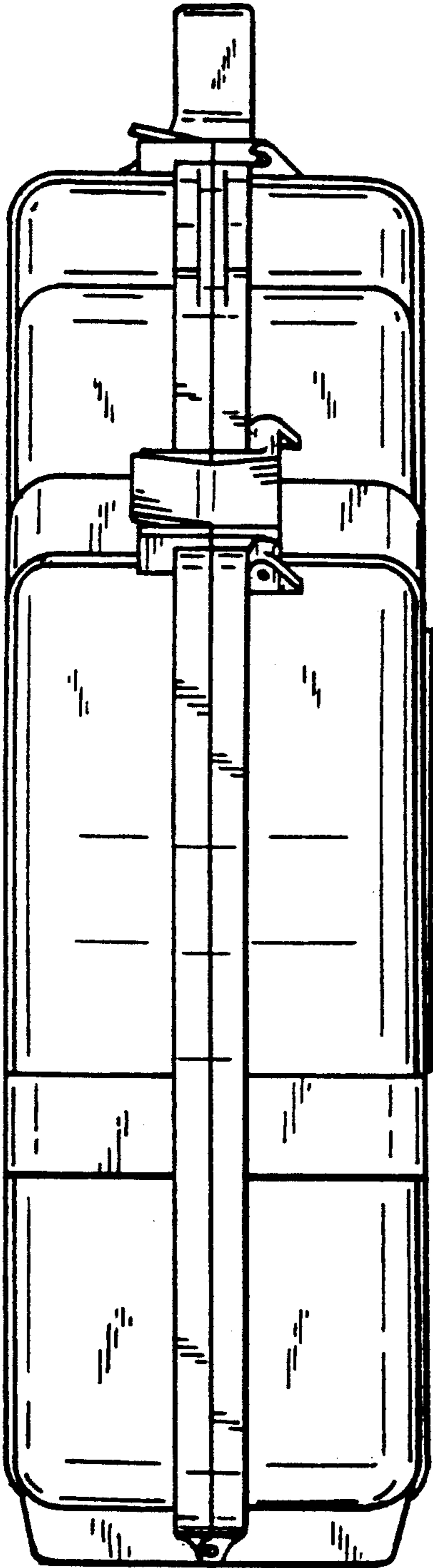


FIG. 7.

