



US00D343037S

United States Patent [19]

Roussel

[11] Patent Number: **Des. 343,037**

[45] Date of Patent: **** Jan. 4, 1994**

[54] FUEL SIPHON CONTAINER

3,972,450 8/1976 Walters 220/675 X

[76] Inventor: **Raymond W. Roussel**, 32 S. Main St., East Hampton, Conn. 06424

Primary Examiner—Wallace R. Burke
Assistant Examiner—Lavone D. Tabor
Attorney, Agent, or Firm—Leon Gilden

[**] Term: **14 Years**

[57] **CLAIM**

[21] Appl. No.: **664,964**

The ornamental design for a fuel siphon container, as shown and described.

[22] Filed: **Mar. 5, 1991**

[52] U.S. Cl. **D32/53; D9/532**

DESCRIPTION

[58] **Field of Search** **D7/603, 608; D9/428, D9/532; 15/264; 220/86.1, 200, 208, 404, 675, 696, 755, 904, DIG.; D32/53, 53.1**

FIG. 1 is a front elevational view of the fuel siphon container showing my new design;
FIG. 2 is a rear elevational view thereof;
FIG. 3 is a left side elevational view thereof;
FIG. 4 is a right side elevational view thereof;
FIG. 5 is a top plan view thereof;
FIG. 6 is a bottom plan view thereof;
FIG. 7 is an enlarged isometric view thereof; and,
FIG. 8 is a cross-sectional view taken along line 8—8 of FIG. 1.

[56] **References Cited**

U.S. PATENT DOCUMENTS

D. 220,316	3/1971	Bardell et al.	D9/532
750,632	1/1904	Fisher	220/200 X
1,115,334	10/1914	Penick	220/755 X
2,375,101	5/1945	Gibbs	220/904 X

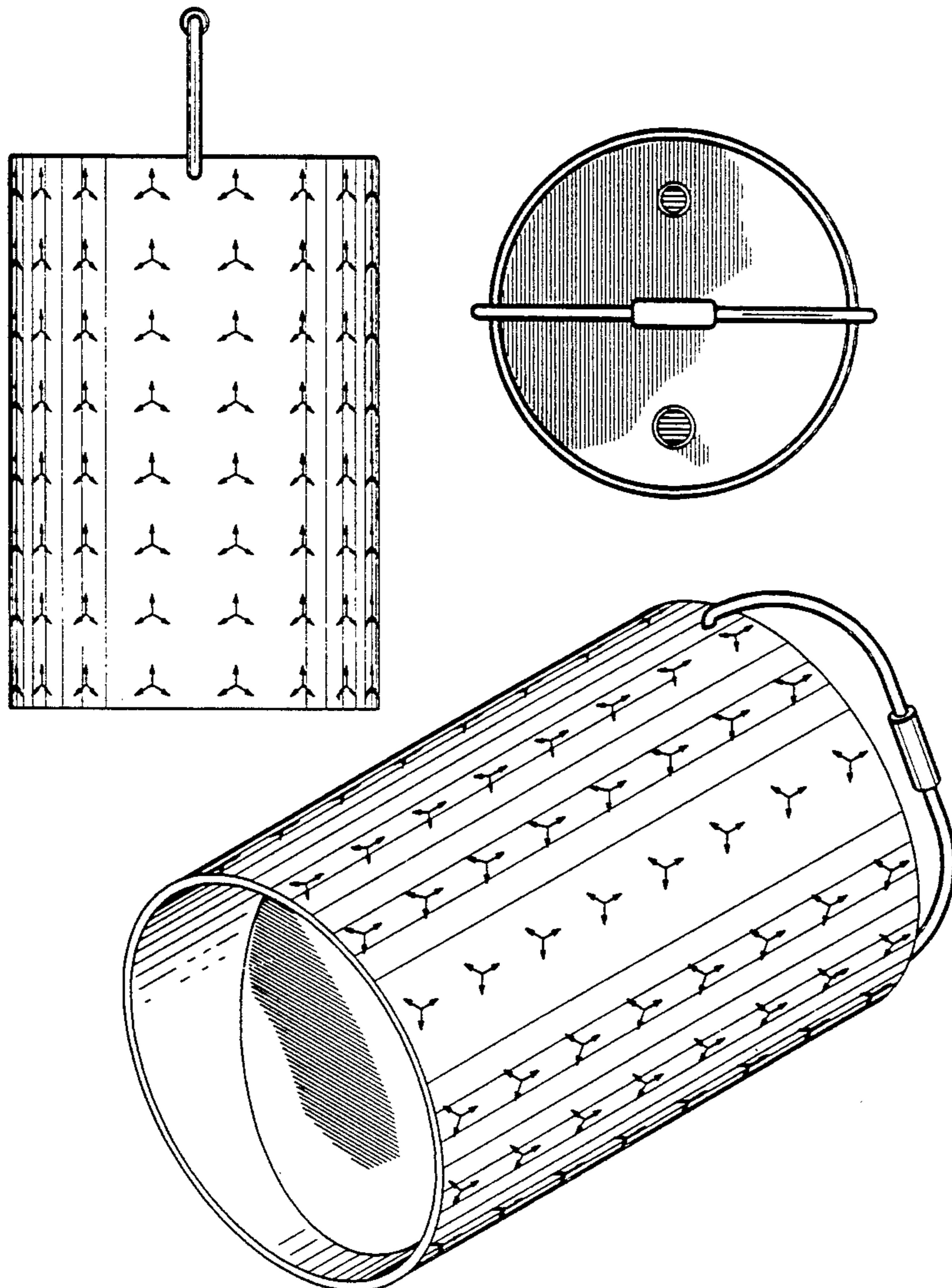


FIG. 1

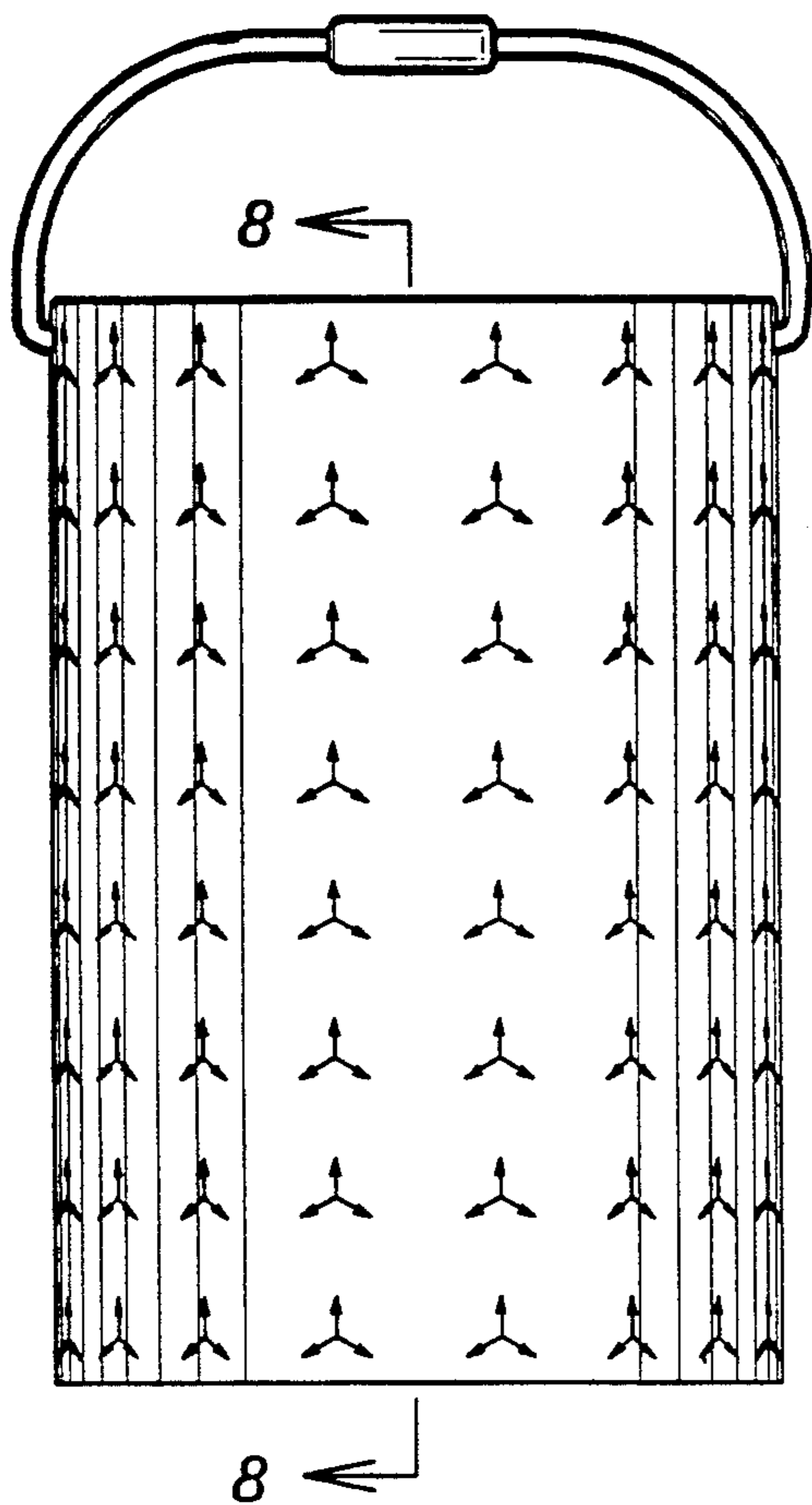


FIG. 2

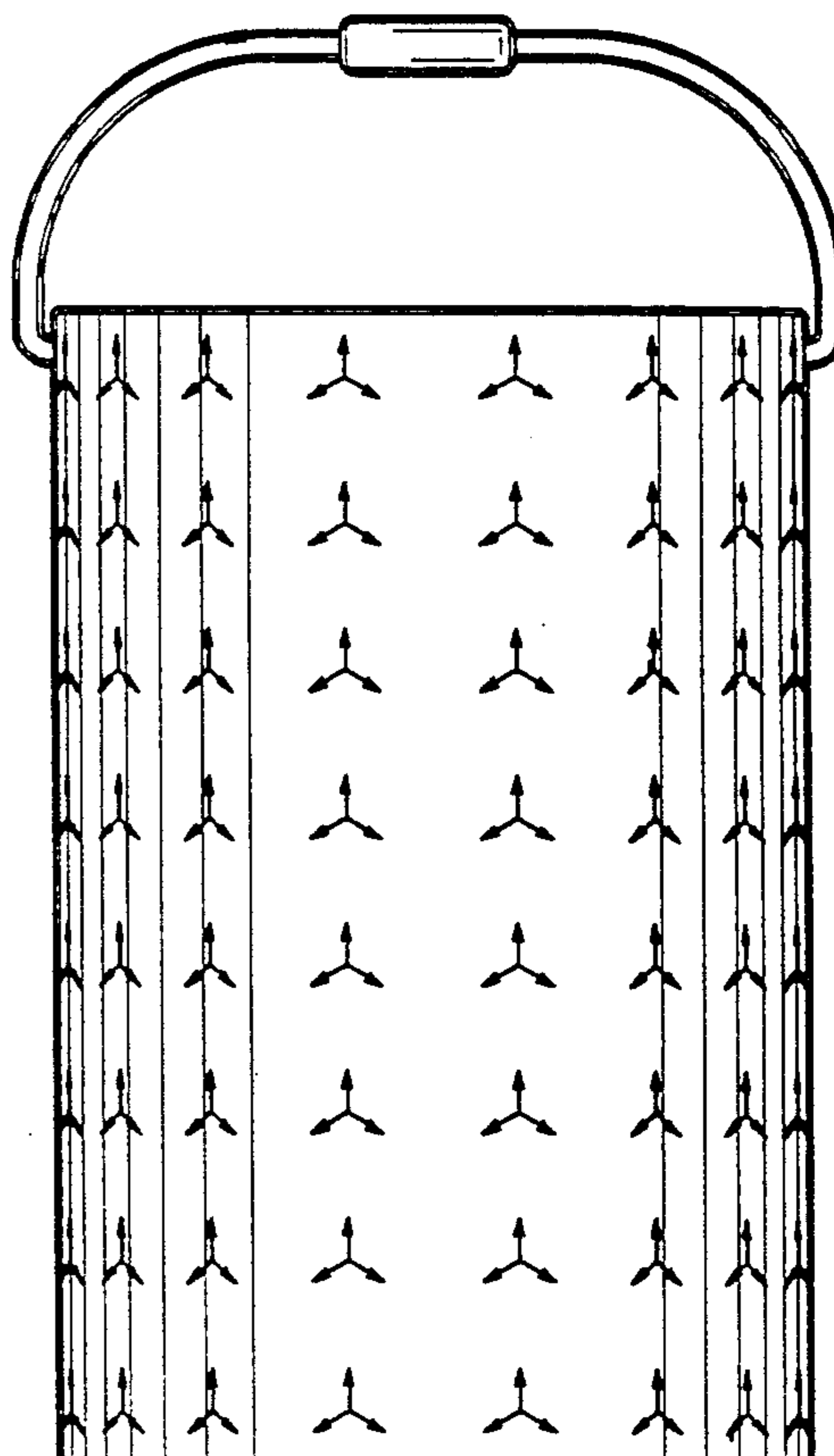


FIG. 3

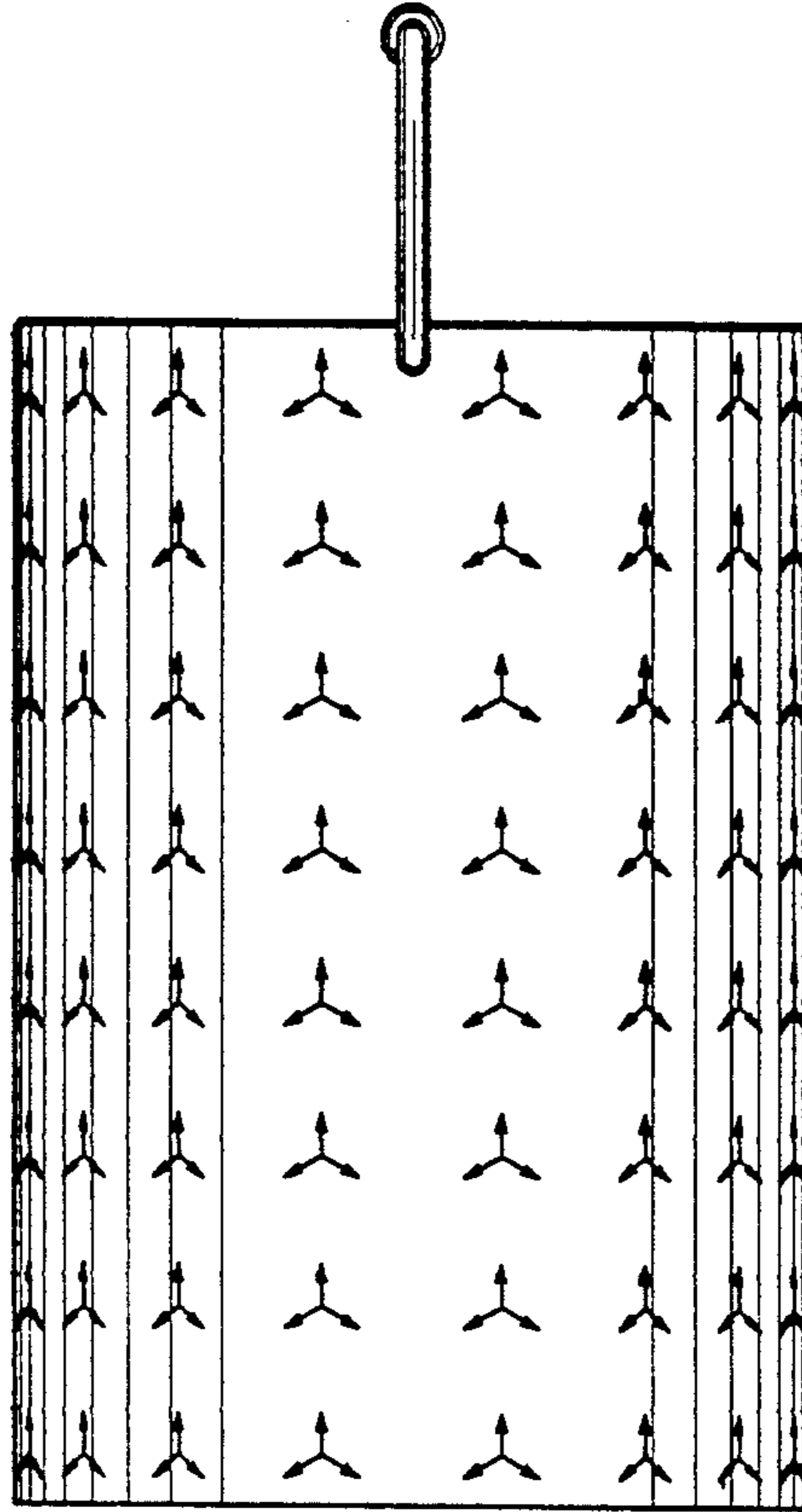


FIG. 4

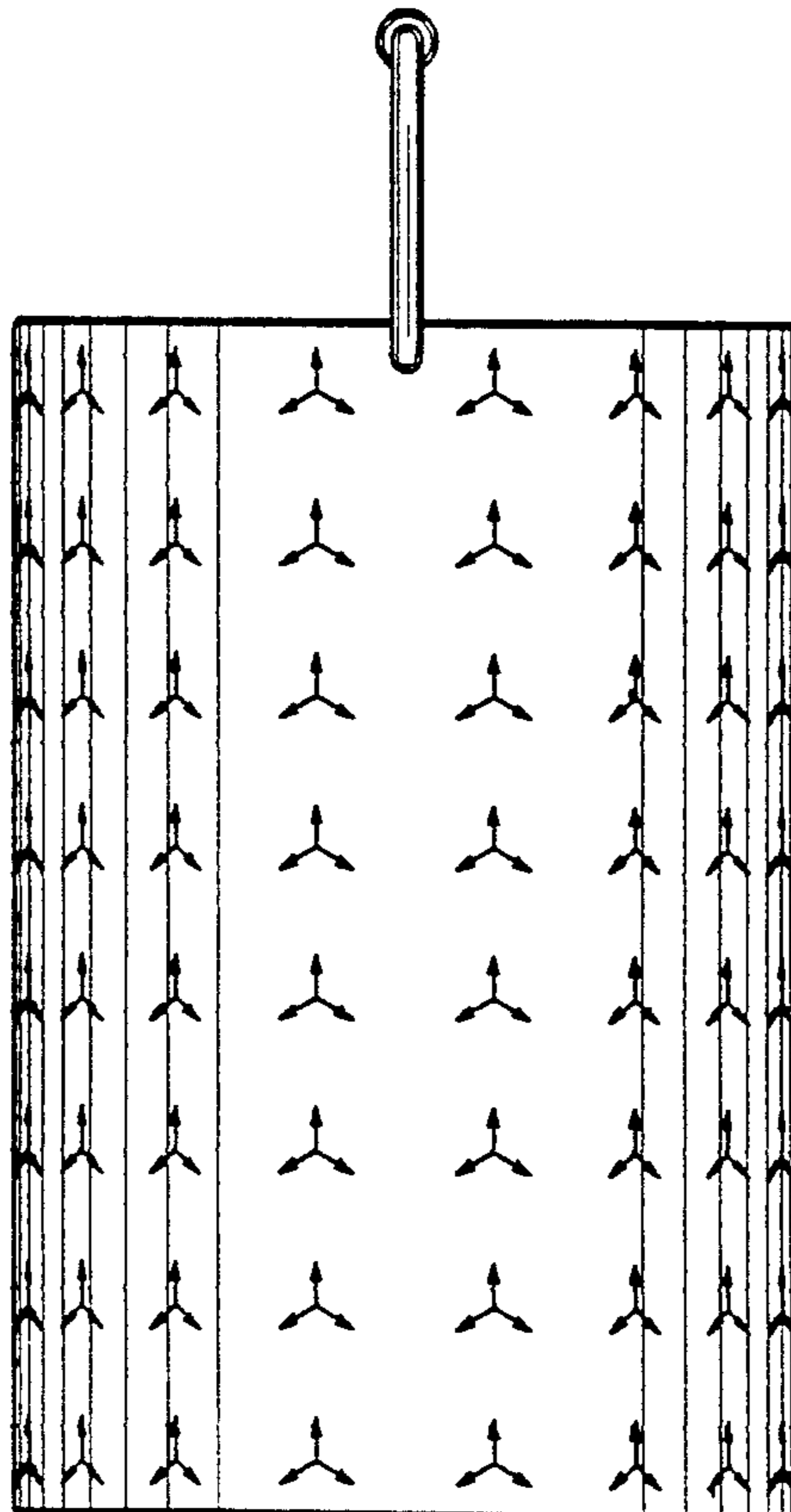


FIG. 5

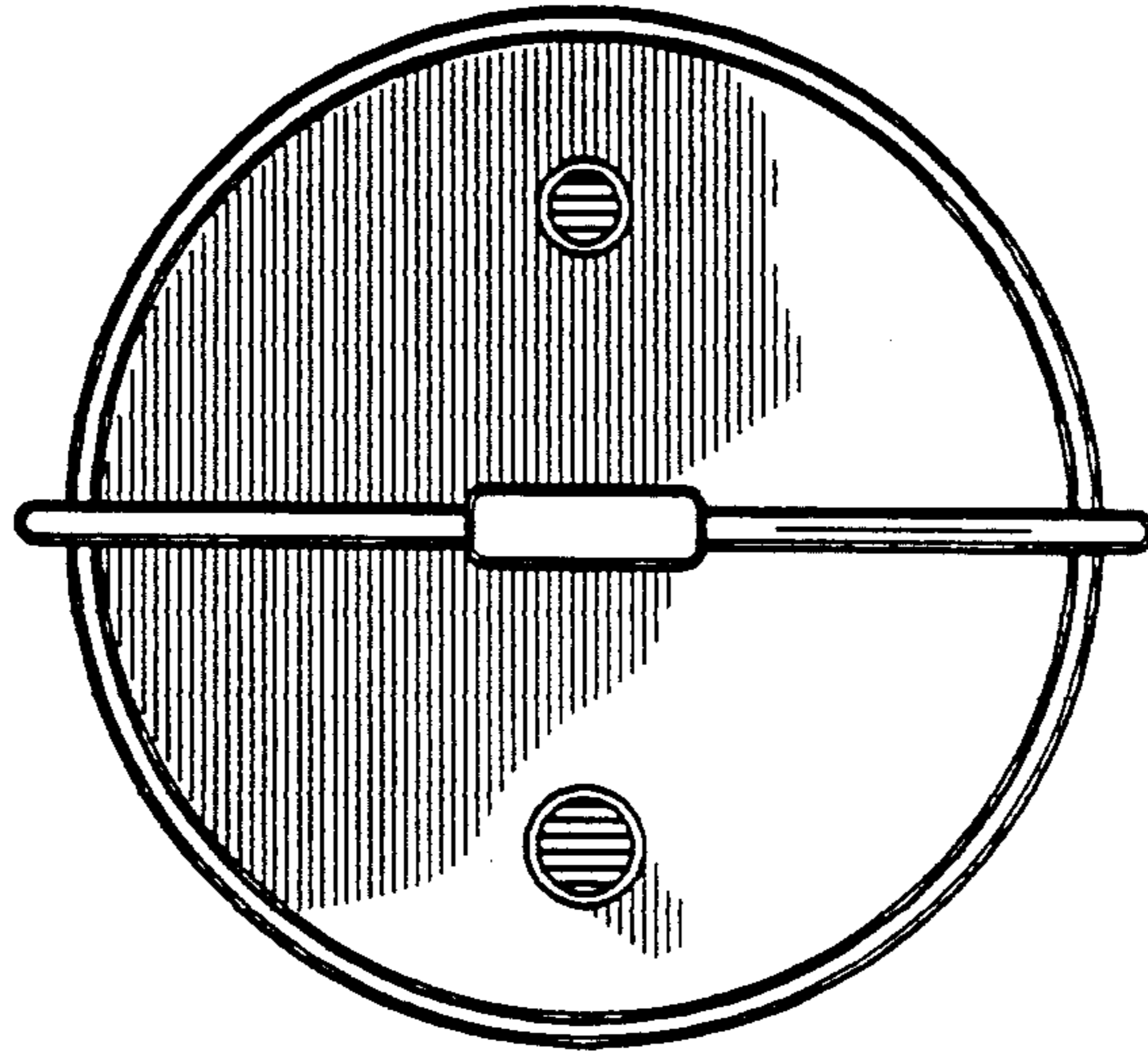


FIG. 6

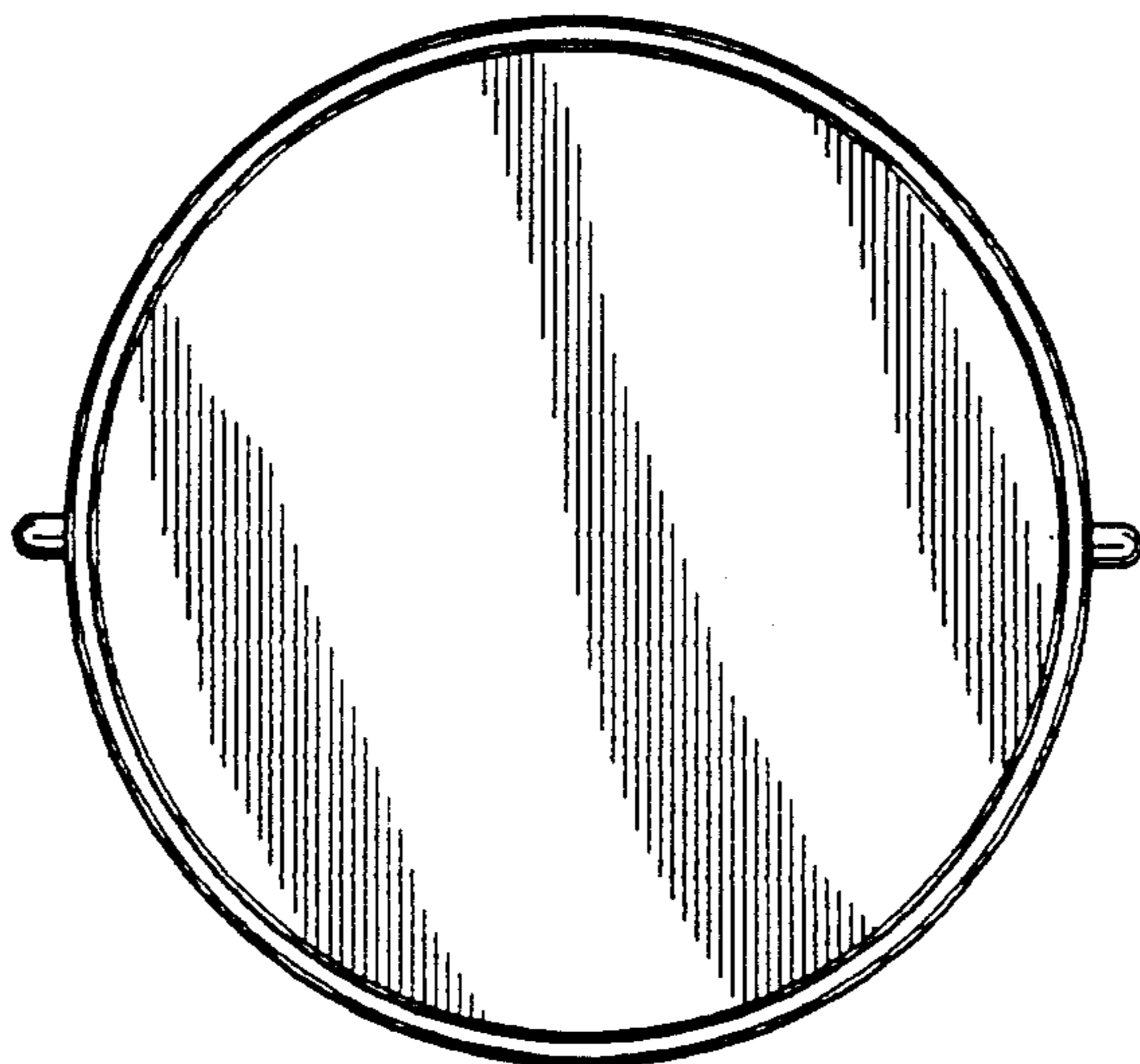


FIG. 7

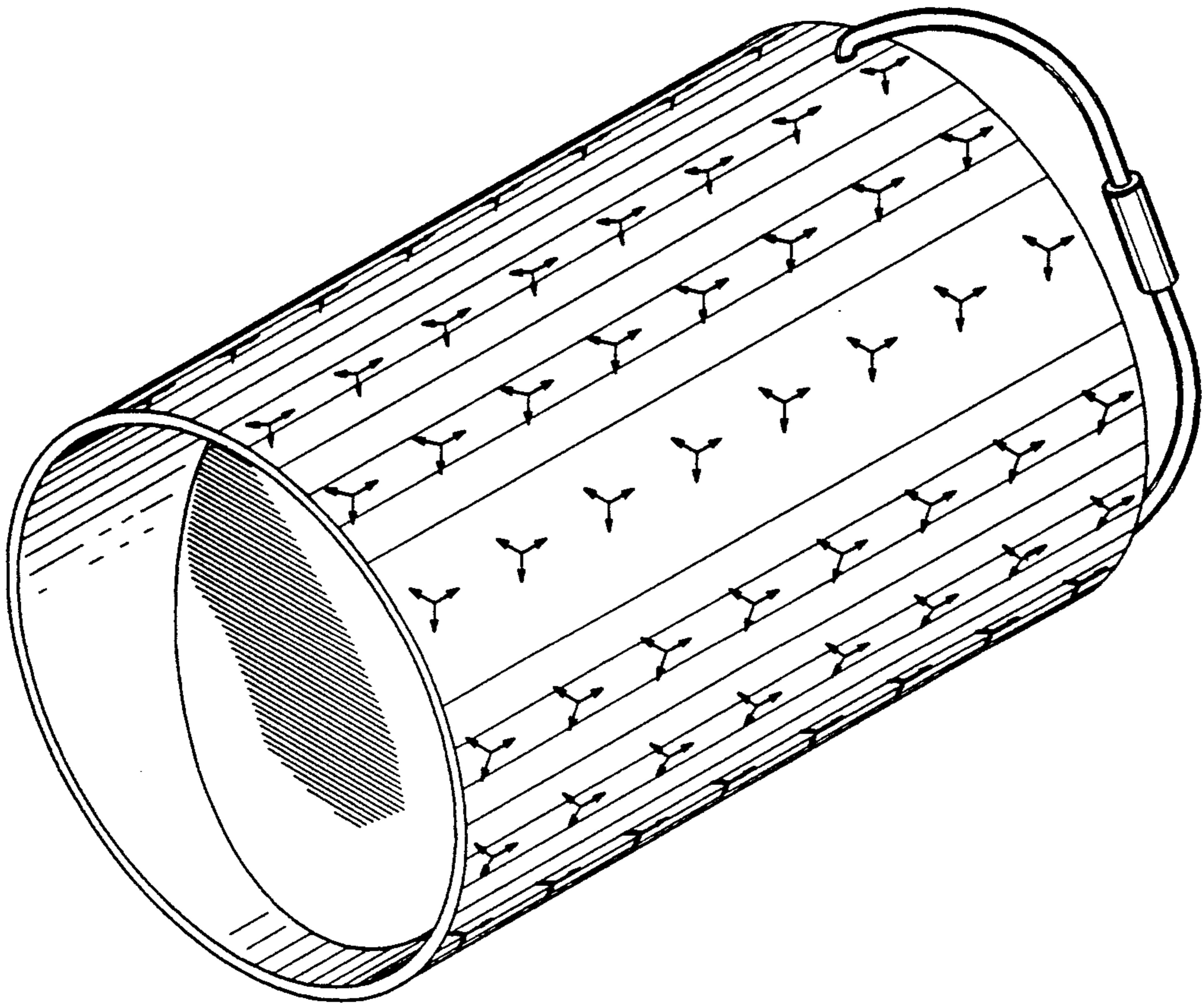


FIG. 8

