



US00D343031S

**United States Patent** [19]  
**McElhaney**

[11] **Patent Number: Des. 343,031**

[45] **Date of Patent: \*\* Jan. 4, 1994**

[54] **COMBINED SADDLE AND TACK CADDY**

[76] **Inventor: Margo McElhaney, 2504 Sagittarius Dr., Nampa, Id. 83651**

[\*\*] **Term: 14 Years**

[21] **Appl. No.: 845,475**

[22] **Filed: Mar. 6, 1992**

[52] **U.S. Cl. .... D30/143; D3/30.1**

[58] **Field of Search .... 119/96; 54/1, 44.1, 54/84; D3/30.1; 482/25; 248/219.4; 211/13, 86; 269/296; D30/143; D12/119**

[56] **References Cited**

**U.S. PATENT DOCUMENTS**

D. 255,611	6/1980	Love .....	D30/143
D. 277,515	2/1985	Secor .....	D30/143
D. 283,317	4/1986	Stewart .....	D3/30.1
D. 314,472	2/1991	Brantingham et al. ....	D3/30.1
D. 316,919	5/1991	Reep .....	D30/143
825,177	7/1906	Bales .....	D3/30.1
2,953,252	9/1960	Koontz .....	211/13
2,987,042	6/1961	Rothberg .....	119/96
4,412,618	11/1983	LaConte .....	211/13
5,050,744	9/1991	Floyd .....	54/84
5,165,553	11/1992	Benson .....	211/13

**OTHER PUBLICATIONS**

Millers' Christman 1990 Catalog; p. 48; item No. 9810-0 Saddle Stand; (Horse catalogs box).

Millers' The World of Riding Catalog; p. 105; item B, Grooming Caddy; (Horse catalogs box).

Farnam Horse Equip Catalog; p. 15; item No. 238704; (Horse catalogs box).

Millers' The World of Riding Catalog; p. 103; item No. 1083 Groomine, Carry-All; (Horse catalogs box).

*Primary Examiner*—A. Hugo Word

*Assistant Examiner*—CathyAnne MacCormac

*Attorney, Agent, or Firm*—Terry M. Gernstein

[57] **CLAIM**

The ornamental design for a combined saddle and tack caddy, as shown and described.

**DESCRIPTION**

FIG. 1 is an exploded perspective view of the combined saddle and tack caddy showing my new design with the door partially open;

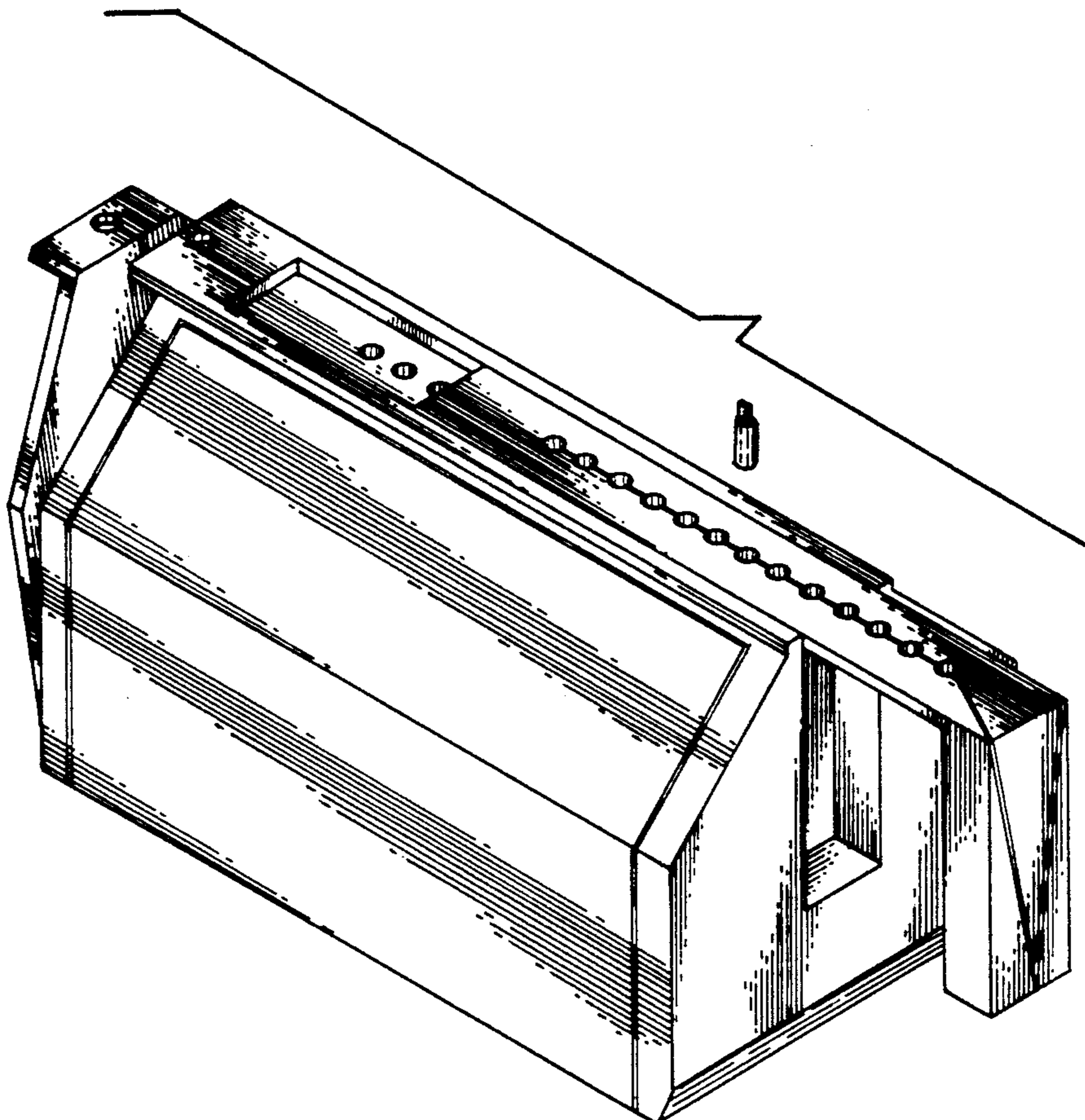
FIG. 2 is a front elevational view thereof, the rear being a mirror image of the front shown in FIG. 2;

FIG. 3 is an end elevational view thereof;

FIG. 4 is an end elevational view thereof;

FIG. 5 is a top plan view thereof; and,

FIG. 6 is a bottom view thereof.



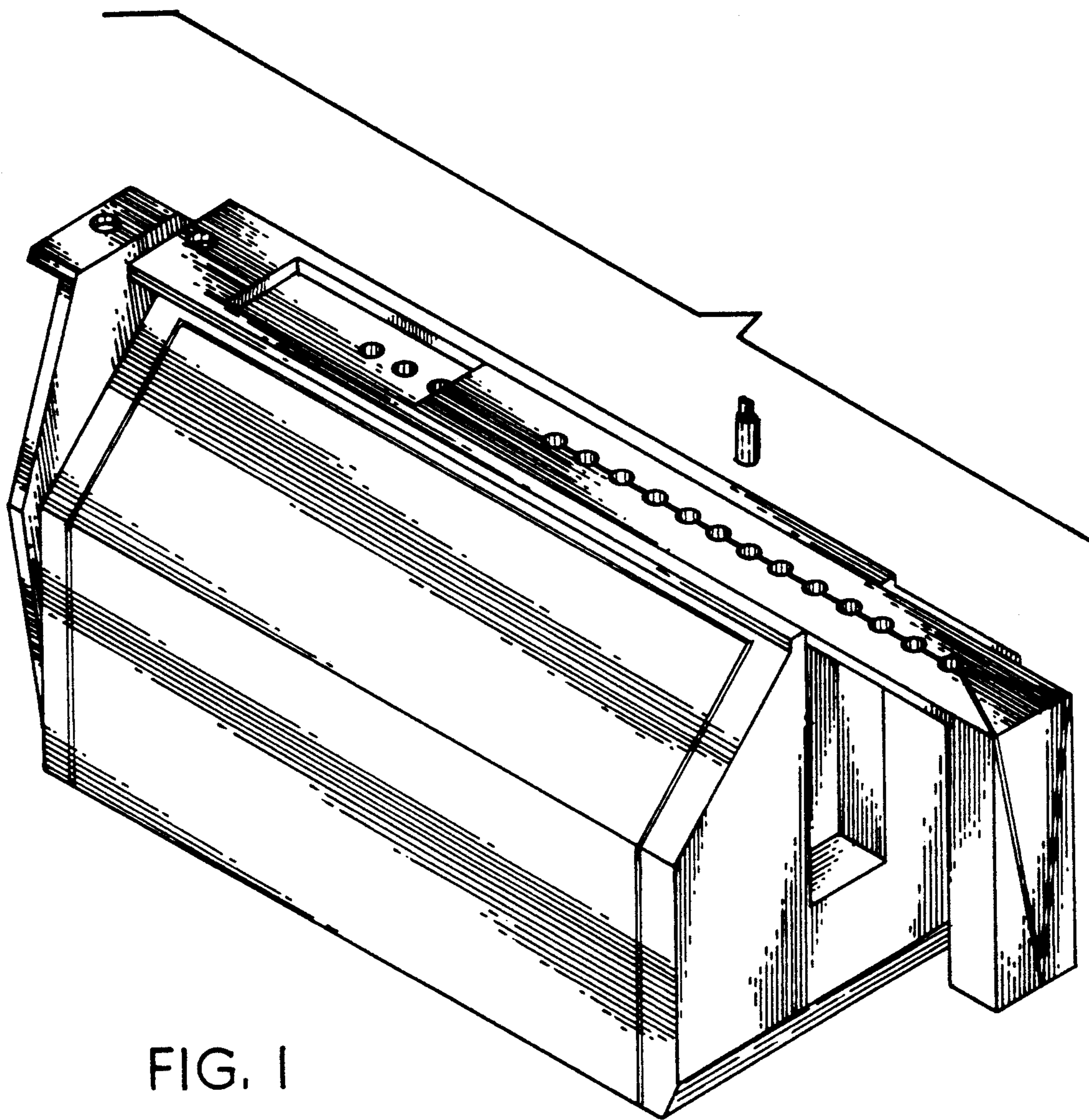


FIG. 1



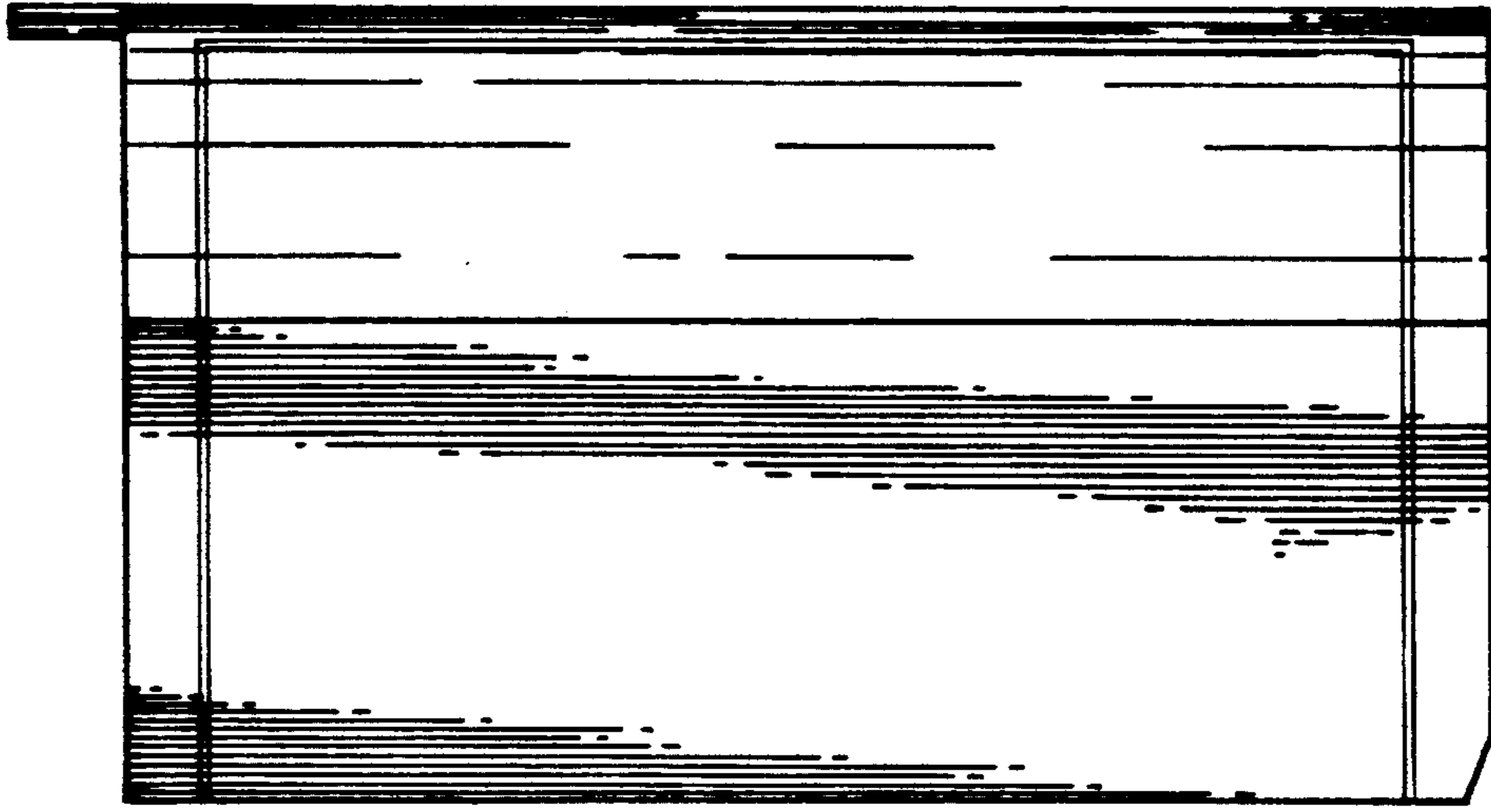


FIG. 2

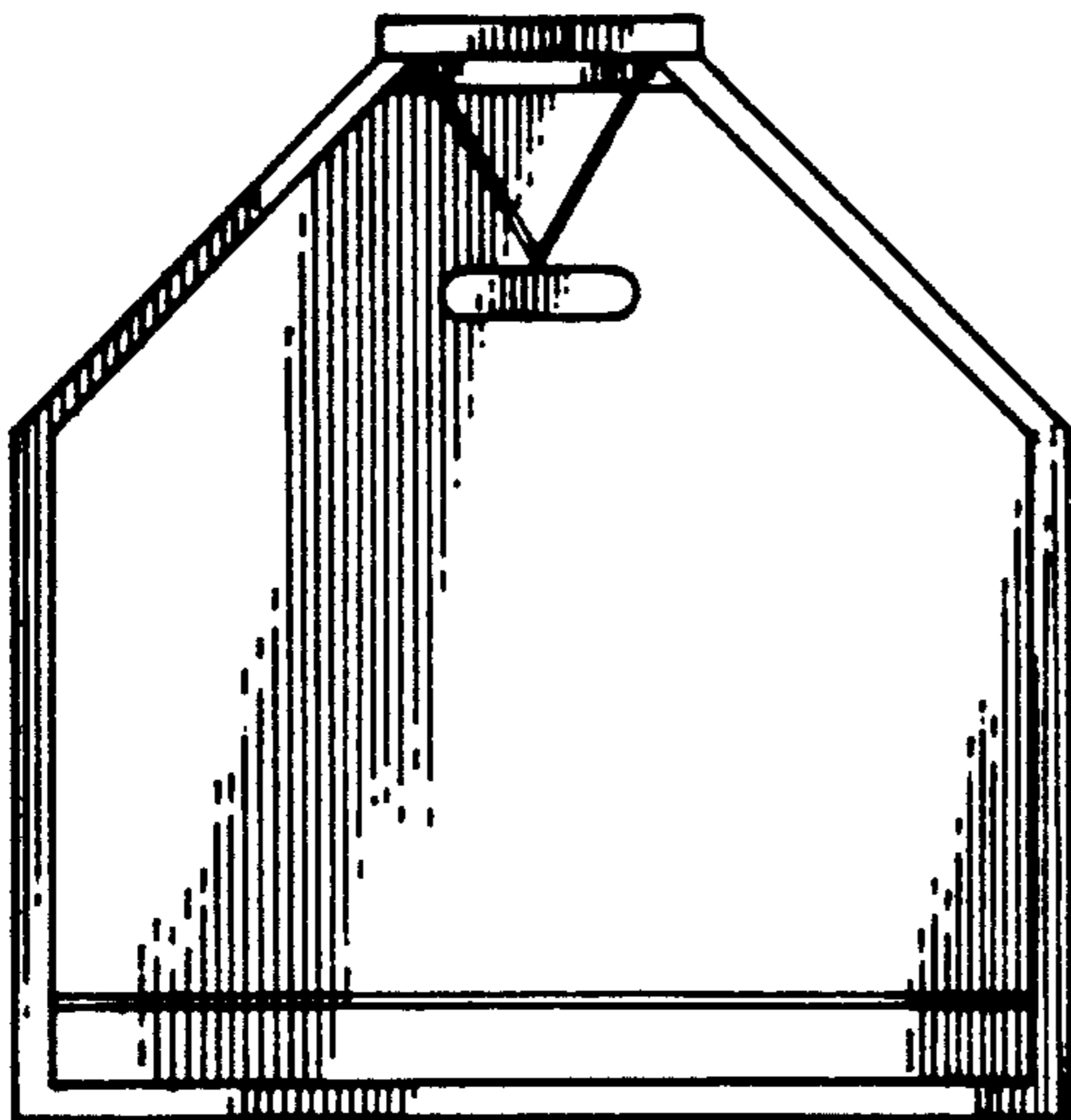


FIG. 3

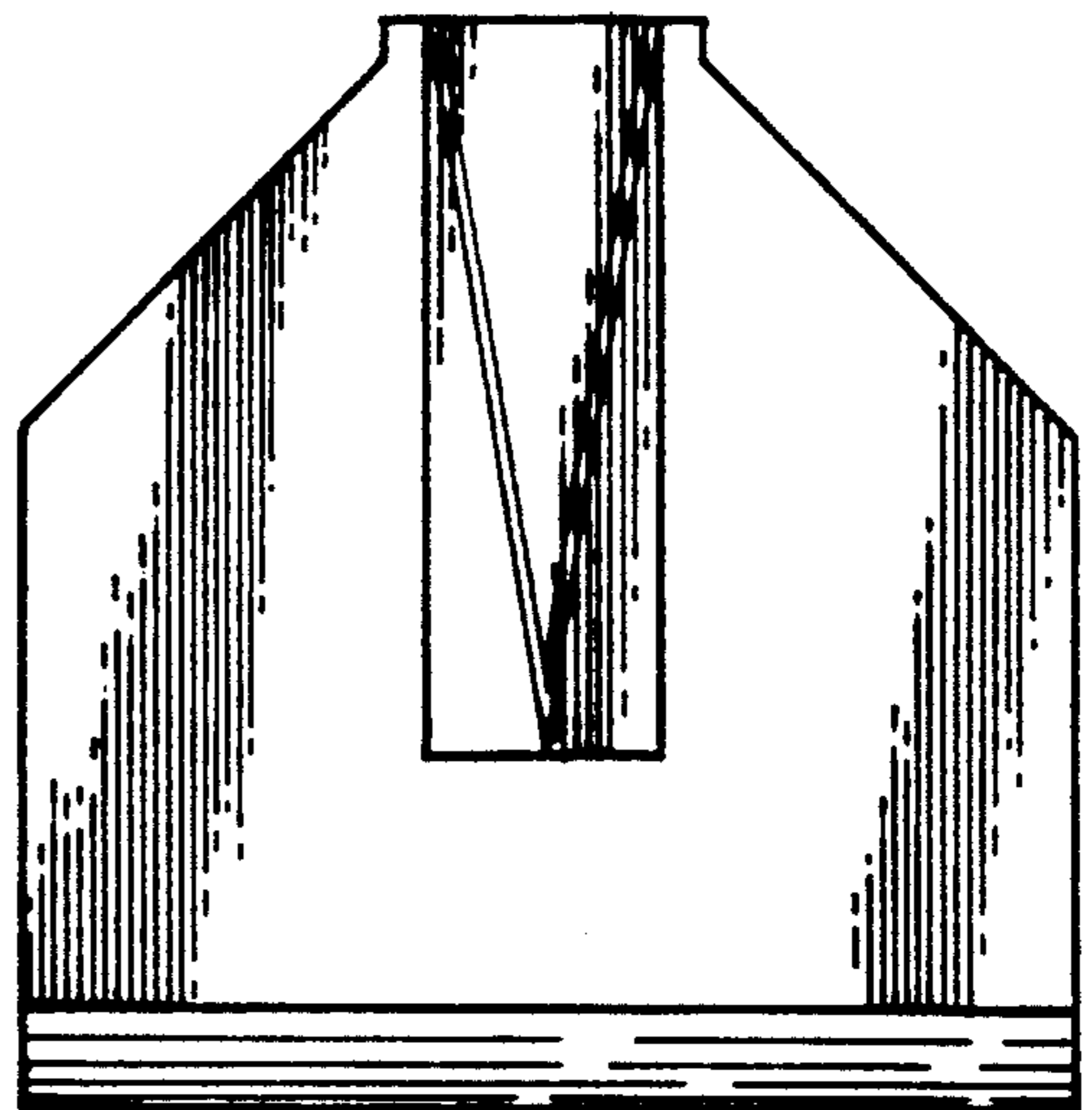


FIG. 4

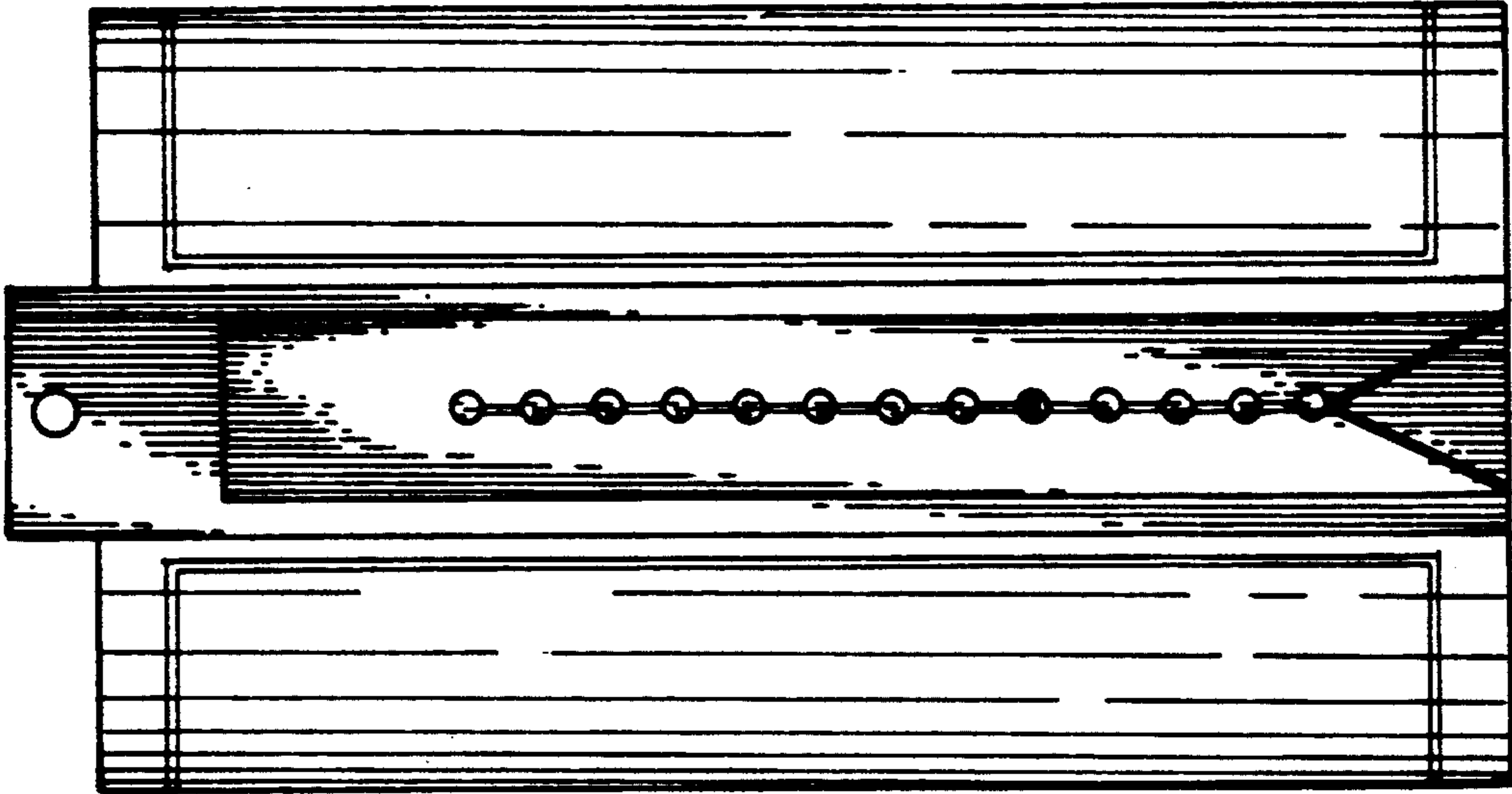


FIG. 5

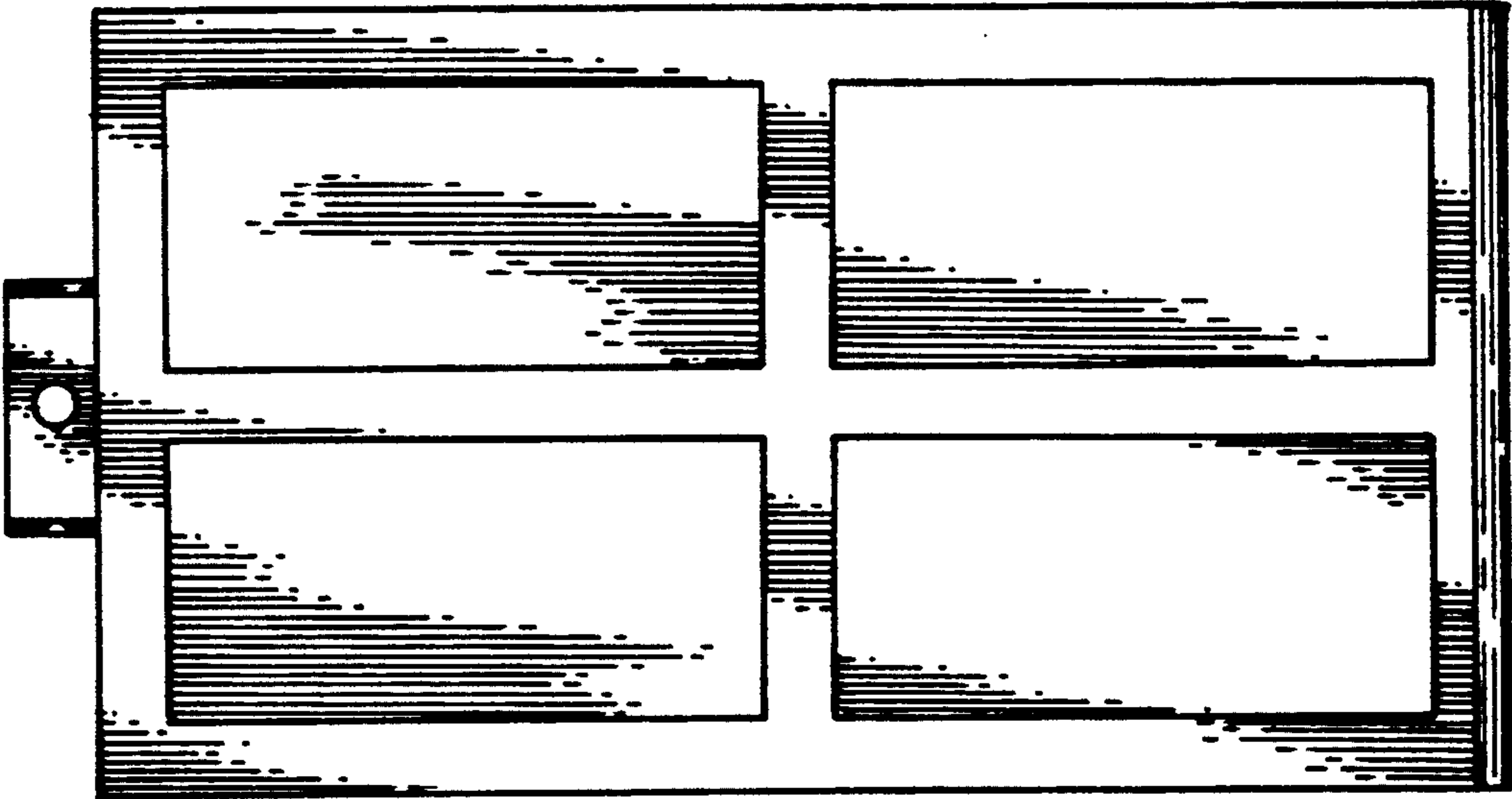


FIG. 6