



US00D343029S

United States Patent [19]

Berenson

[11] Patent Number: **Des. 343,029**

[45] Date of Patent: **** Jan. 4, 1994**

[54] **DIVE MASK**

[75] Inventor: **Steven Berenson, Sharon, Mass.**

[73] Assignee: **Aqua-Leisure Industries, Inc., Avon, Mass.**

[**] Term: **14 Years**

[21] Appl. No.: **897,508**

[22] Filed: **Jun. 11, 1992**

[52] U.S. Cl. **D29/9**

[58] Field of Search 2/12, 13, 427, 428, 2/439; D29/8, 9; D16/107, 102, 108, 110, 112, 117

[56] **References Cited**

U.S. PATENT DOCUMENTS

- D. 266,031 9/1982 Sato D29/9
- D. 309,508 7/1990 Sugita D29/9

- D. 320,867 10/1991 Kasama D29/9
- D. 324,589 3/1992 Dagnino D29/9
- D. 335,365 5/1993 Sato D29/9

Primary Examiner—Kay H. Chin
Attorney, Agent, or Firm—Wolf, Greenfield & Sacks

[57] **CLAIM**

The ornamental design for a dive mask, as shown and described.

DESCRIPTION

FIG. 1 is a right side perspective view of a dive mask in accordance with a preferred embodiment of this invention;

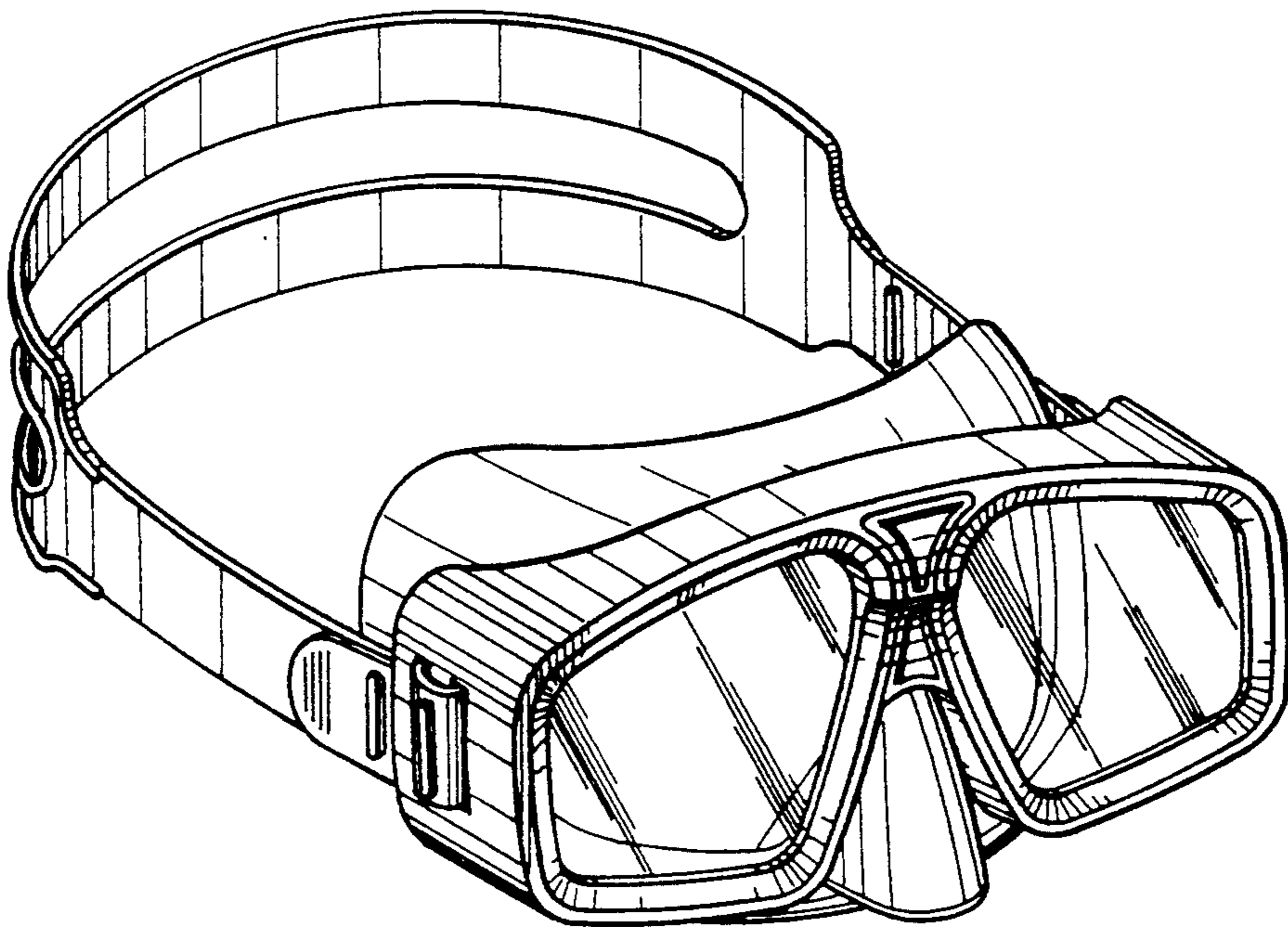
FIG. 2 is a front view thereof;

FIG. 3 is a right side view thereof, with a left side view being a mirror image thereof;

FIG. 4 is a rear view thereof;

FIG. 5 is a top view thereof; and,

FIG. 6 is a bottom view thereof.



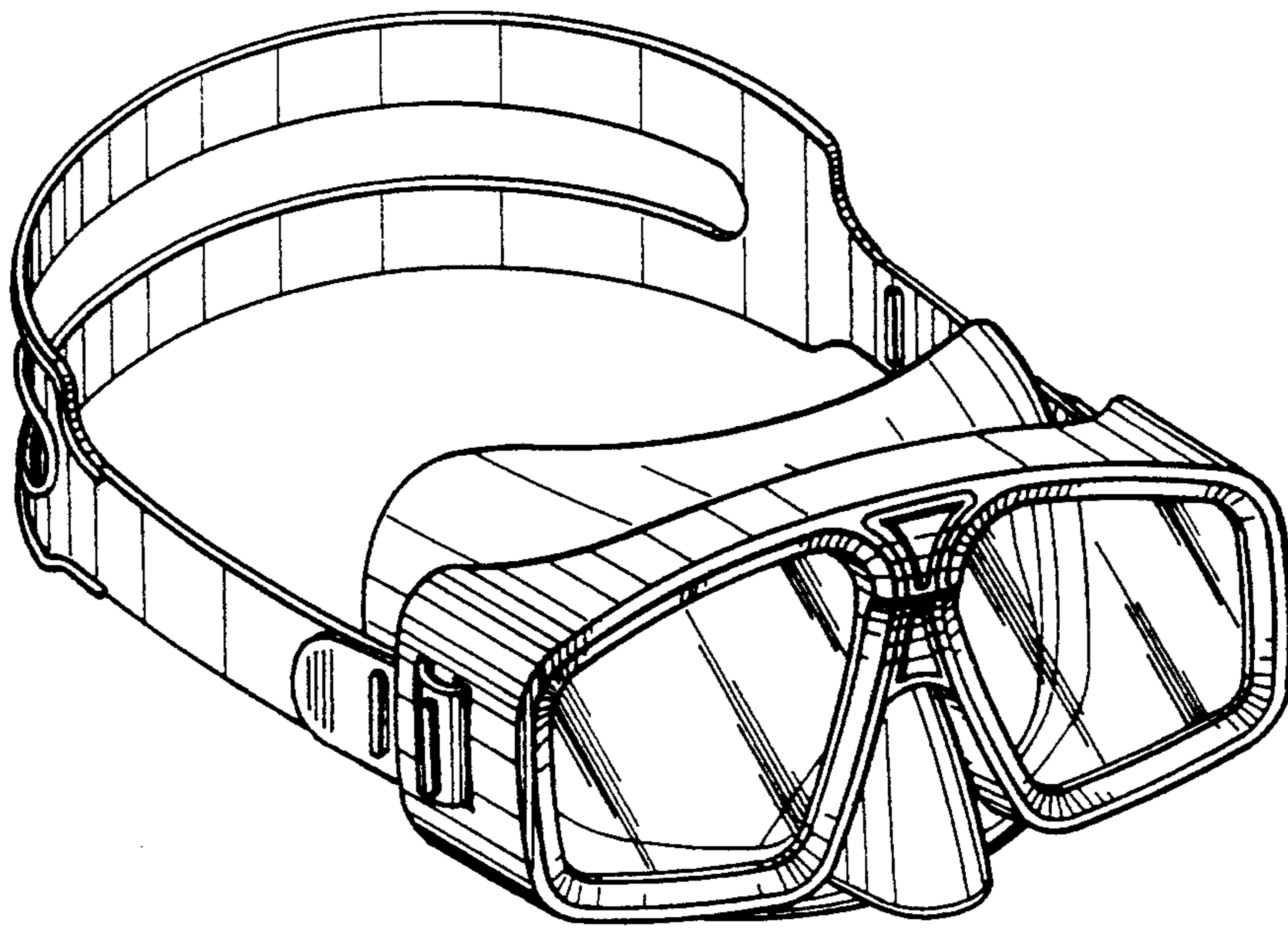


Fig. 1

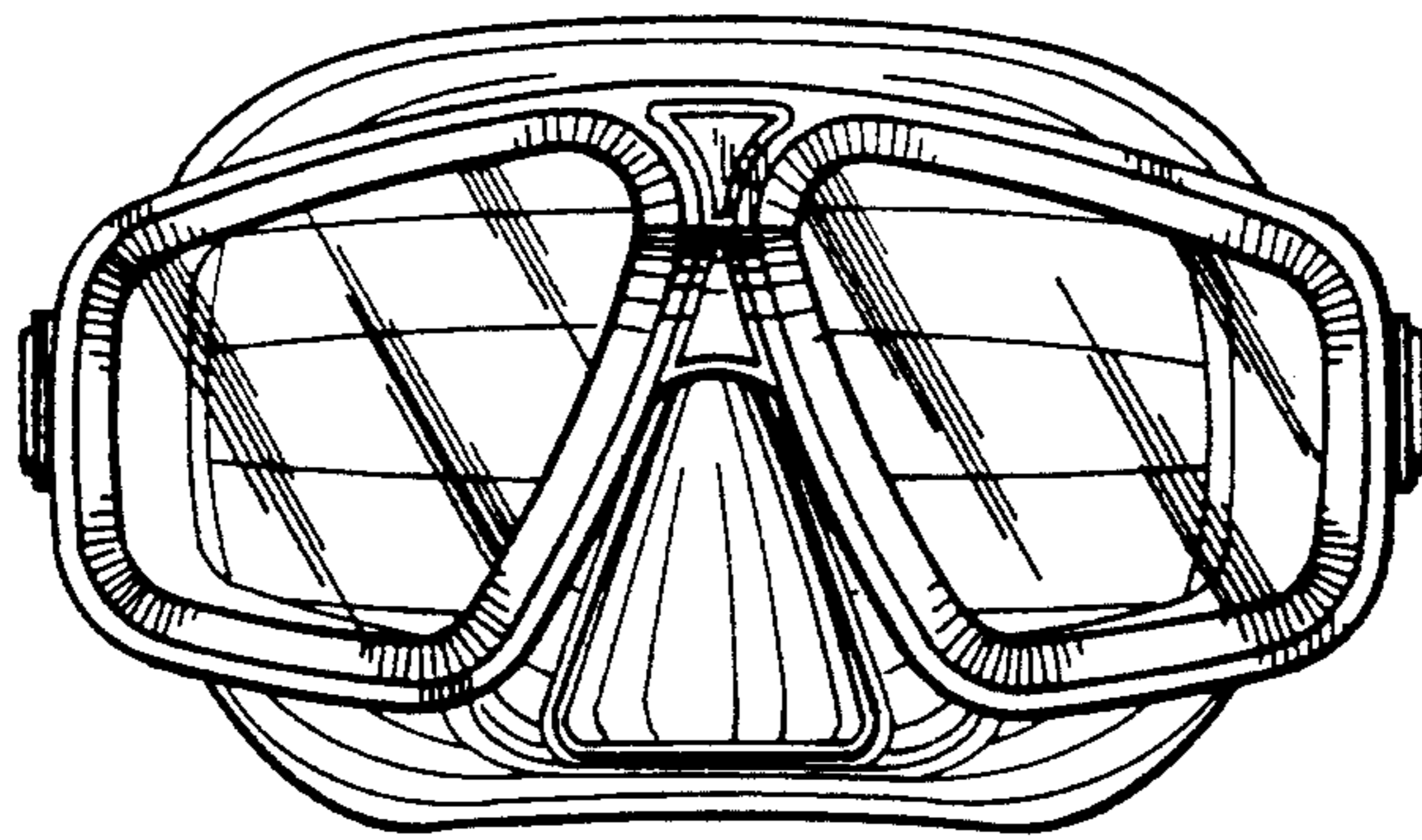


Fig. 2

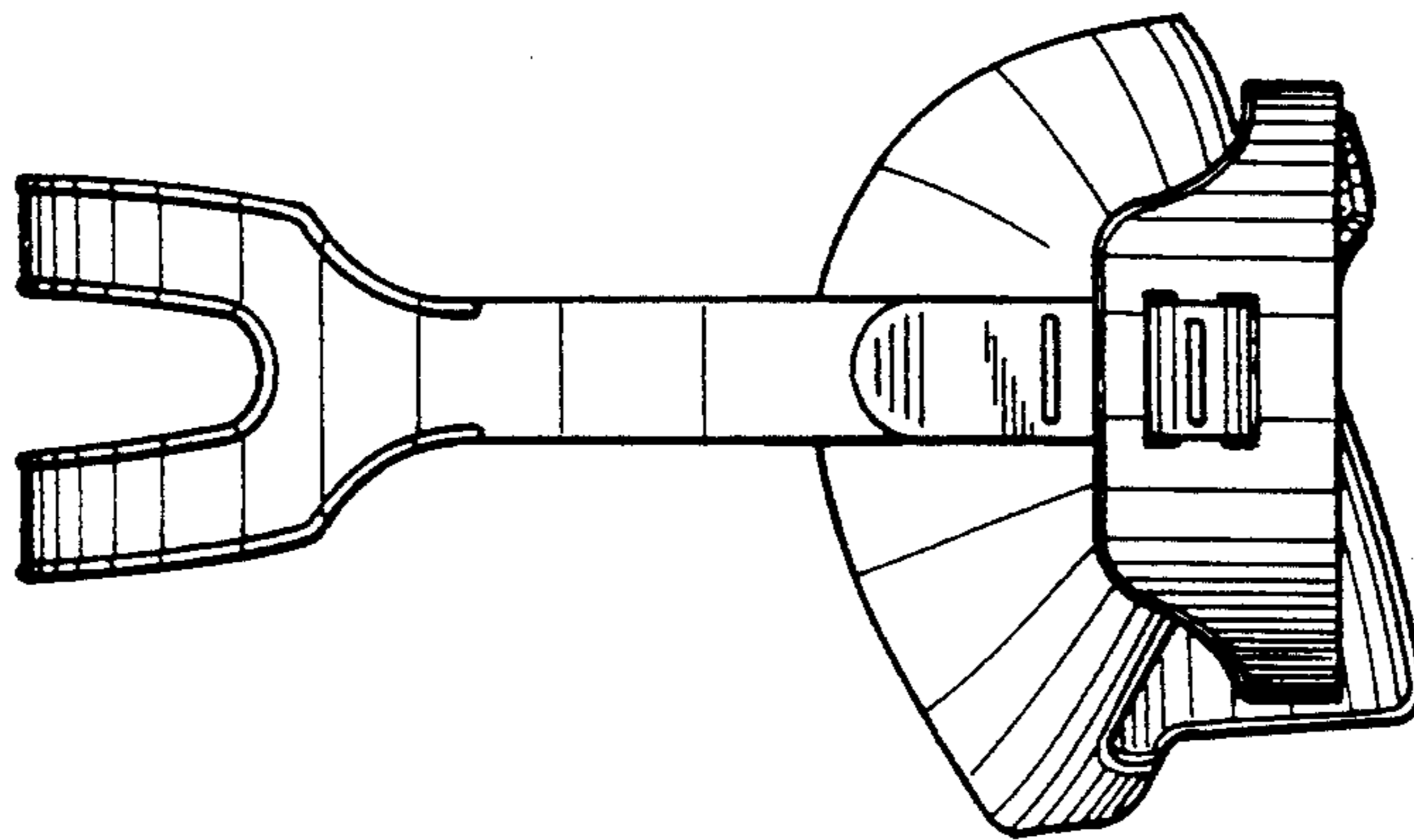


Fig. 3

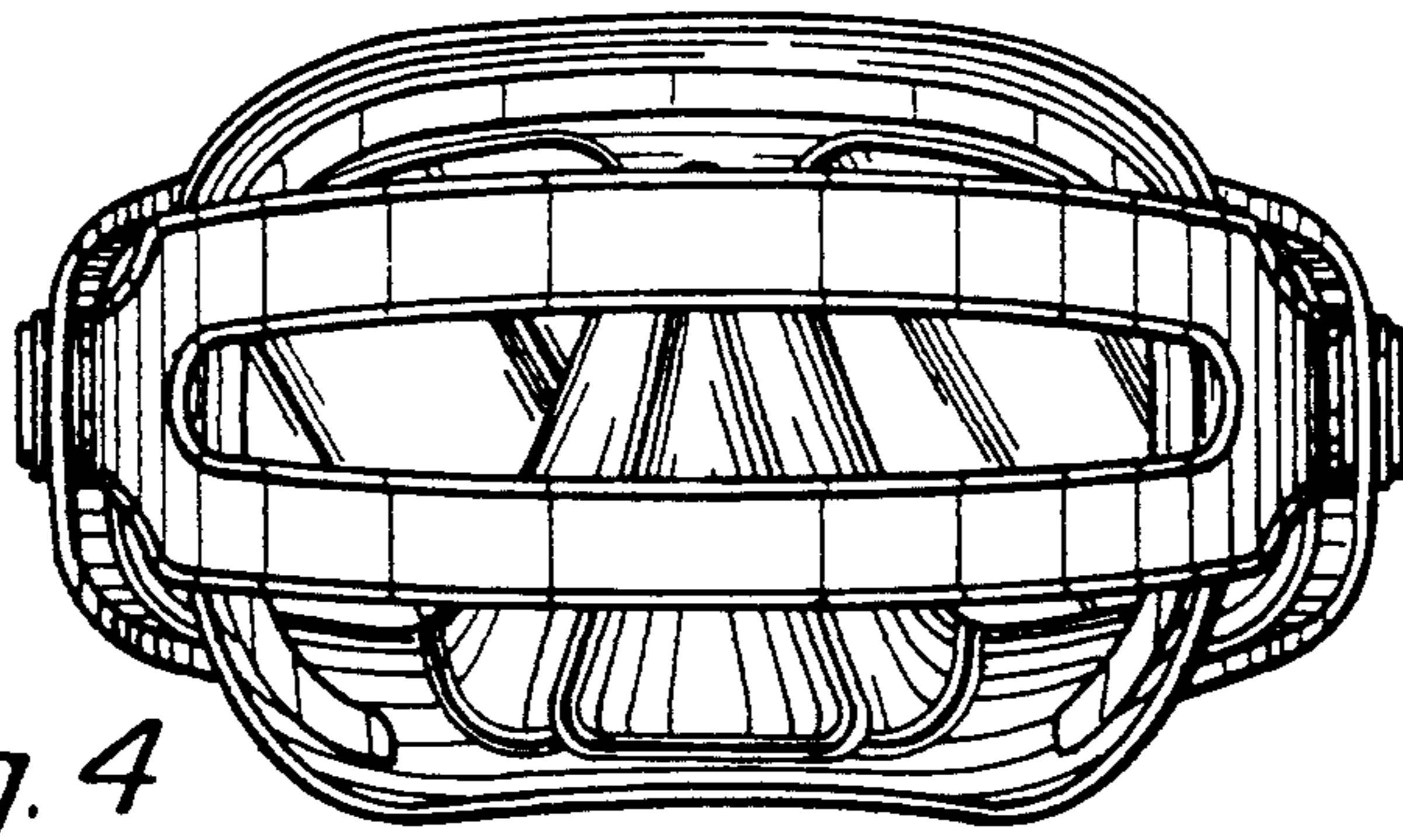


Fig. 4

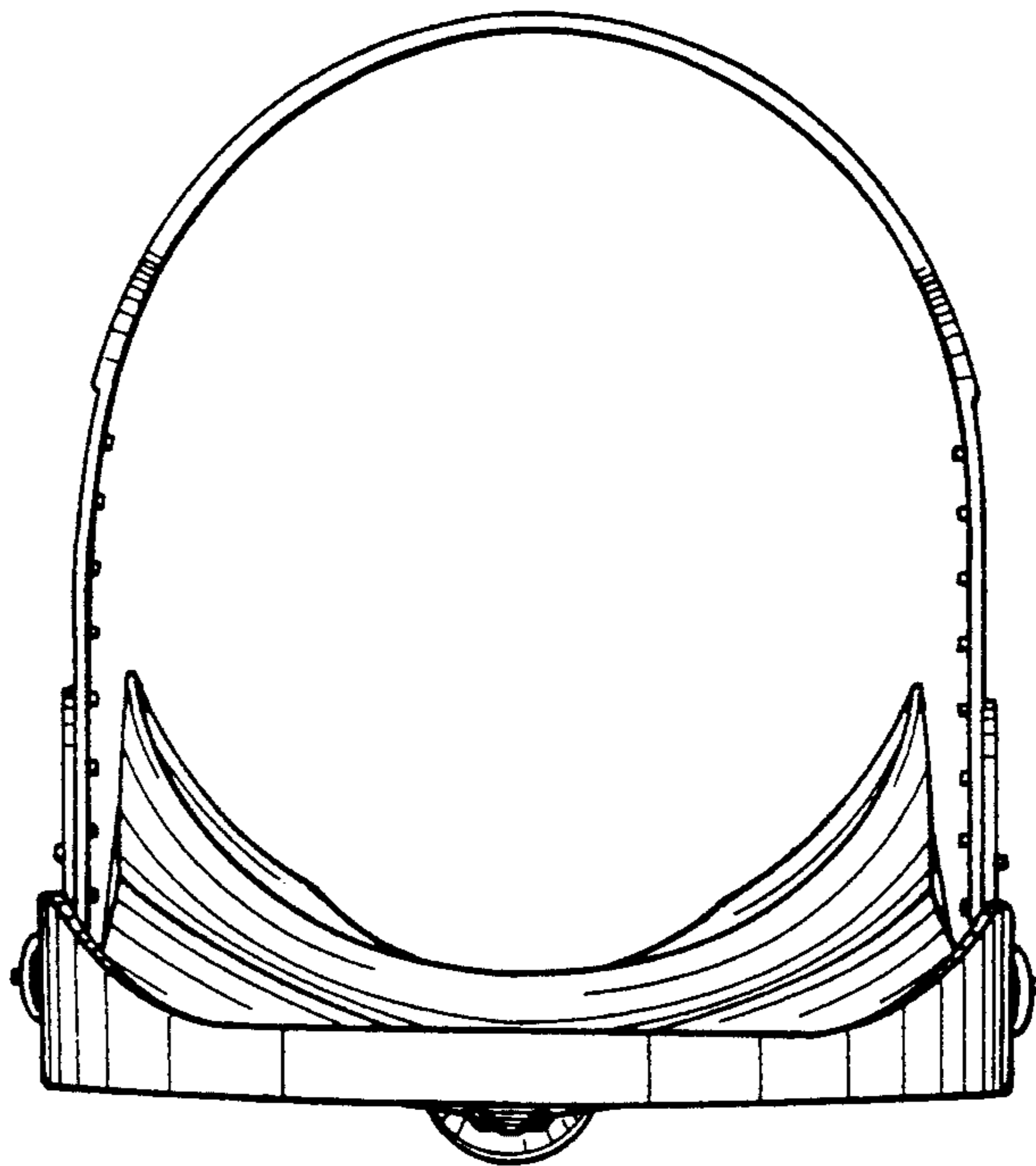


Fig. 5

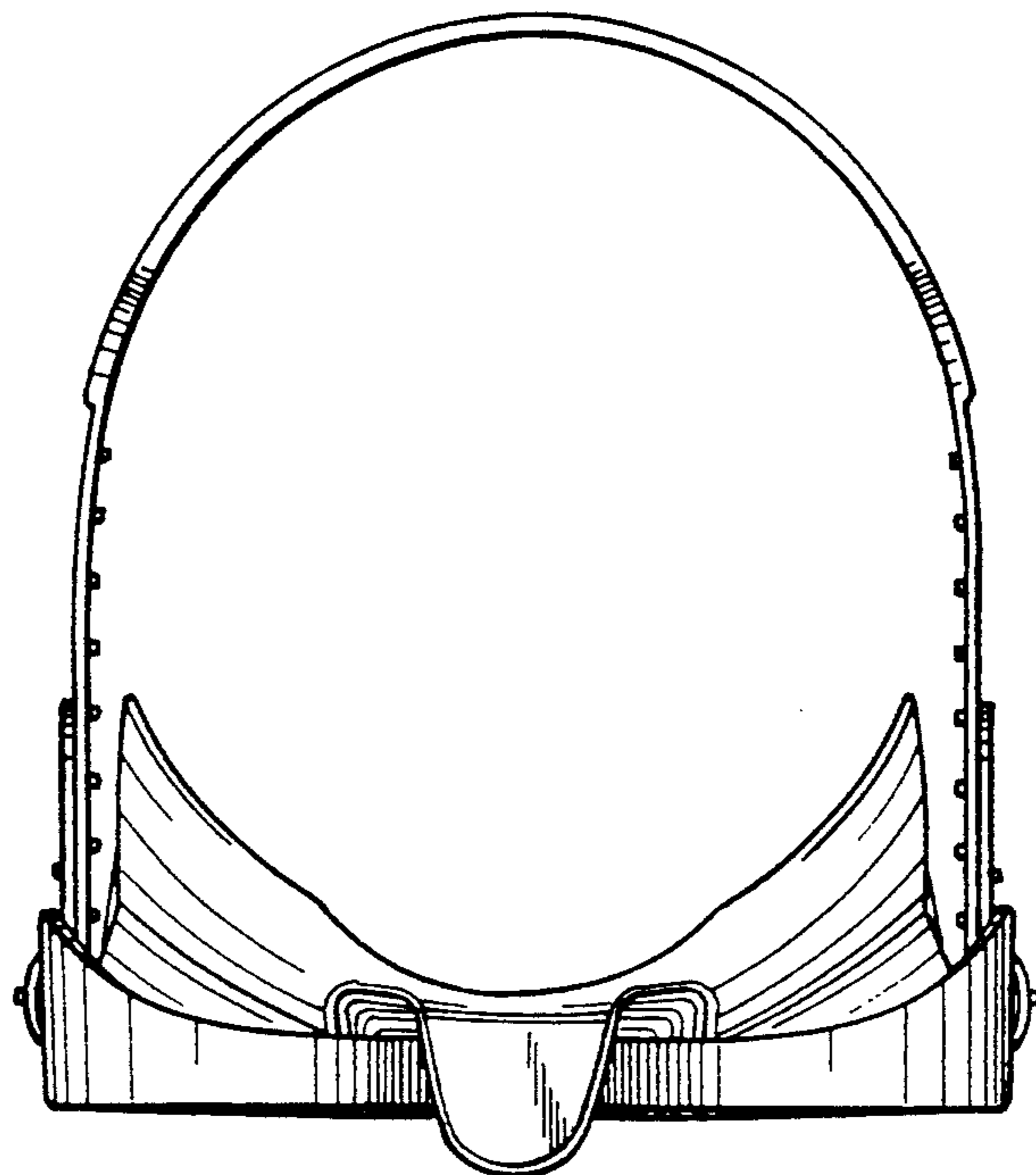


Fig. 6