



US00D343027S

# United States Patent [19]

Coleman

[11] Patent Number: **Des. 343,027**

[45] Date of Patent: **\*\* Jan. 4, 1994**

[54] **COMBINE TWEEZERS AND MAGNIFYING GLASS**

[76] Inventor: **Kenneth J. Coleman**, 6217 Lou St., Crystal Lake, Ill. 60014

[\*\*] Term: **14 Years**

[21] Appl. No.: **685,714**

[22] Filed: **Apr. 16, 1991**

[52] U.S. Cl. .... **D28/55**

[58] Field of Search ..... 294/99.2; 359/804-806, 810; 606/131, 210, 211; D28/55; D16/135, 136

[56] **References Cited**

**U.S. PATENT DOCUMENTS**

D. 230,100	1/1974	Hornbeck .....	D28/55
D. 233,864	12/1974	McClure .....	D28/55
D. 287,416	12/1986	Smith .....	D28/55
718,748	1/1903	Boehm .....	359/810
1,765,366	6/1930	Crater .....	359/810 X
2,117,134	5/1938	Bissell .....	359/817 X
2,387,054	10/1945	Brustolon .....	359/810 X
2,608,698	9/1952	Mindheim .....	294/99.2 X
3,264,909	8/1966	Block .....	294/99.2
3,280,665	10/1966	Block .....	294/99.2
3,510,204	5/1970	Jack .....	359/810
3,957,298	5/1976	Purchase .....	294/33
4,212,305	7/1980	Lahay .....	606/210

4,836,596 6/1989 Owen ..... 294/99.2

**FOREIGN PATENT DOCUMENTS**

537945 11/1931 Fed. Rep. of Germany ..... 606/211

101275 9/1923 Switzerland ..... 606/211

*Primary Examiner*—Bernard Ansher

*Assistant Examiner*—C. Tuttle

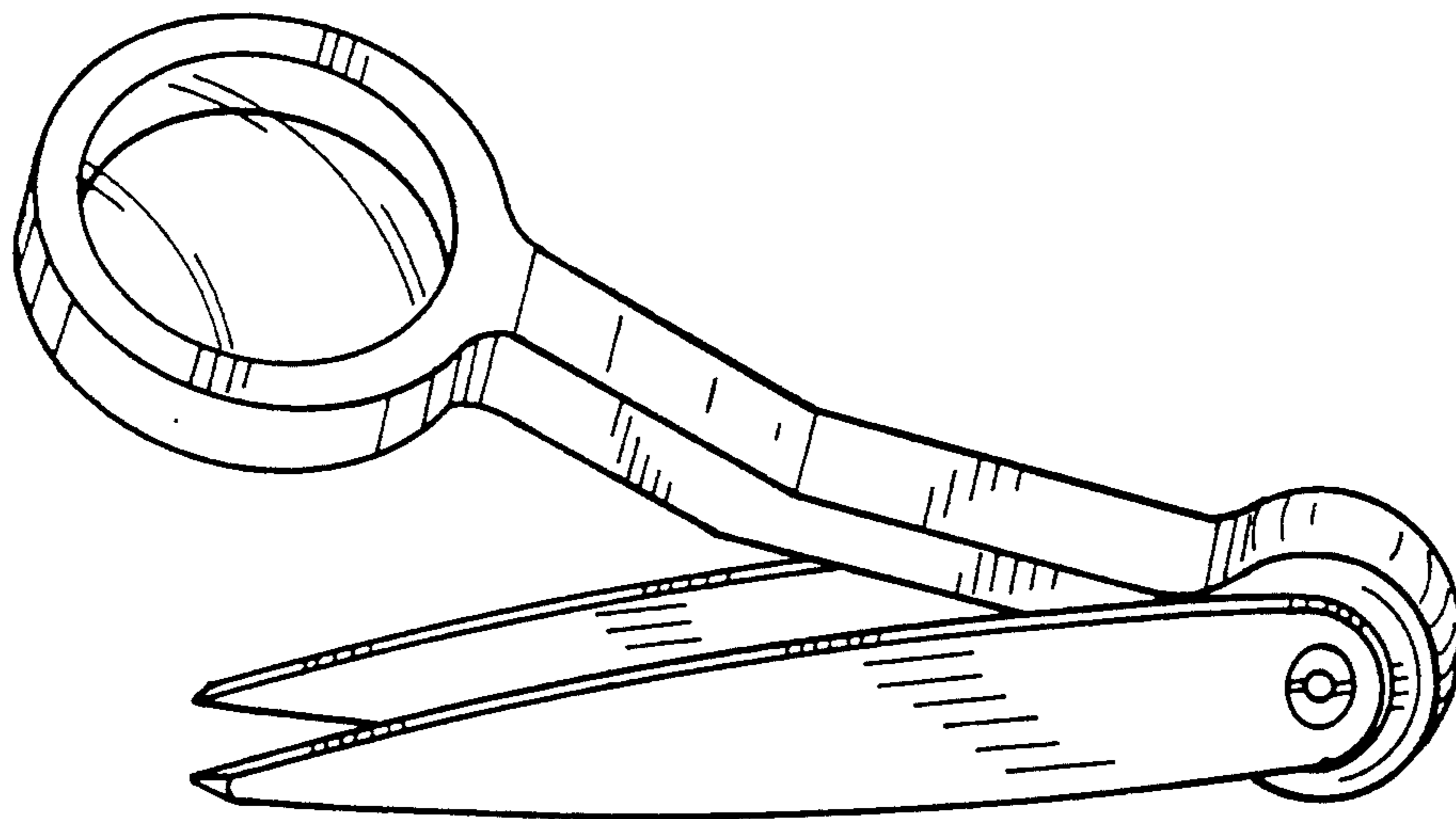
*Attorney, Agent, or Firm*—Mathew R. P. Perrone, Jr.

[57] **CLAIM**

The ornamental design for a combine tweezers and magnifying glass, as shown and described.

**DESCRIPTION**

FIG. 1 is a top perspective view of a combined tweezers and magnifying glass showing my new design;  
 FIG. 2 is a bottom perspective view thereof;  
 FIG. 3 is a side elevational view thereof;  
 FIG. 4 is a bottom plan view thereof;  
 FIG. 5 is a front elevational view thereof;  
 FIG. 6 is a rear elevational view thereof;  
 FIG. 7 is a left side elevational view shown in an extended condition;  
 FIG. 8 is a right side elevational view thereof;  
 FIG. 9 is a bottom perspective view thereof;  
 FIG. 10 is a top perspective view thereof;  
 FIG. 11 is a top plan view thereof; and,  
 FIG. 12 is a bottom plan view thereof.



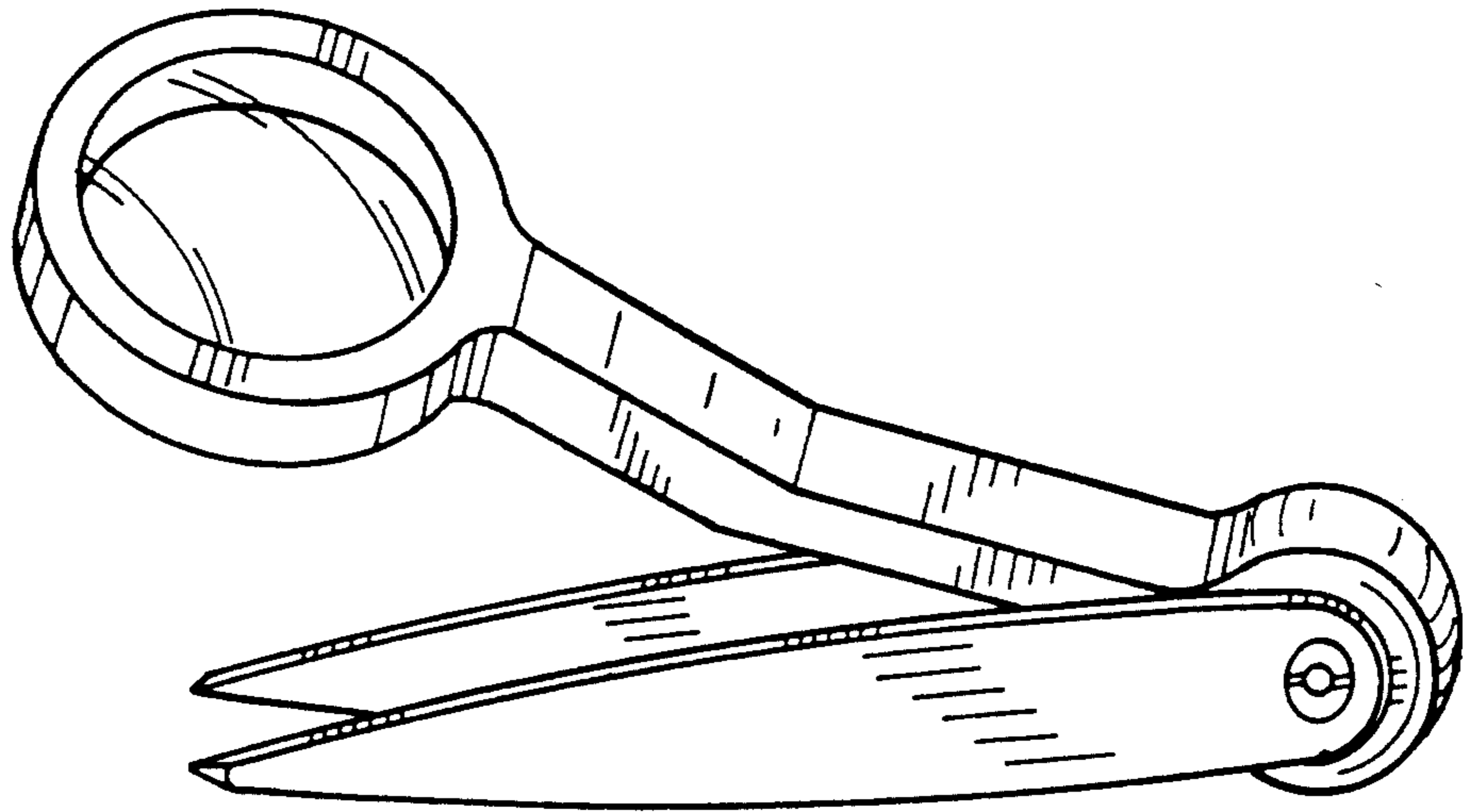


FIG. 1

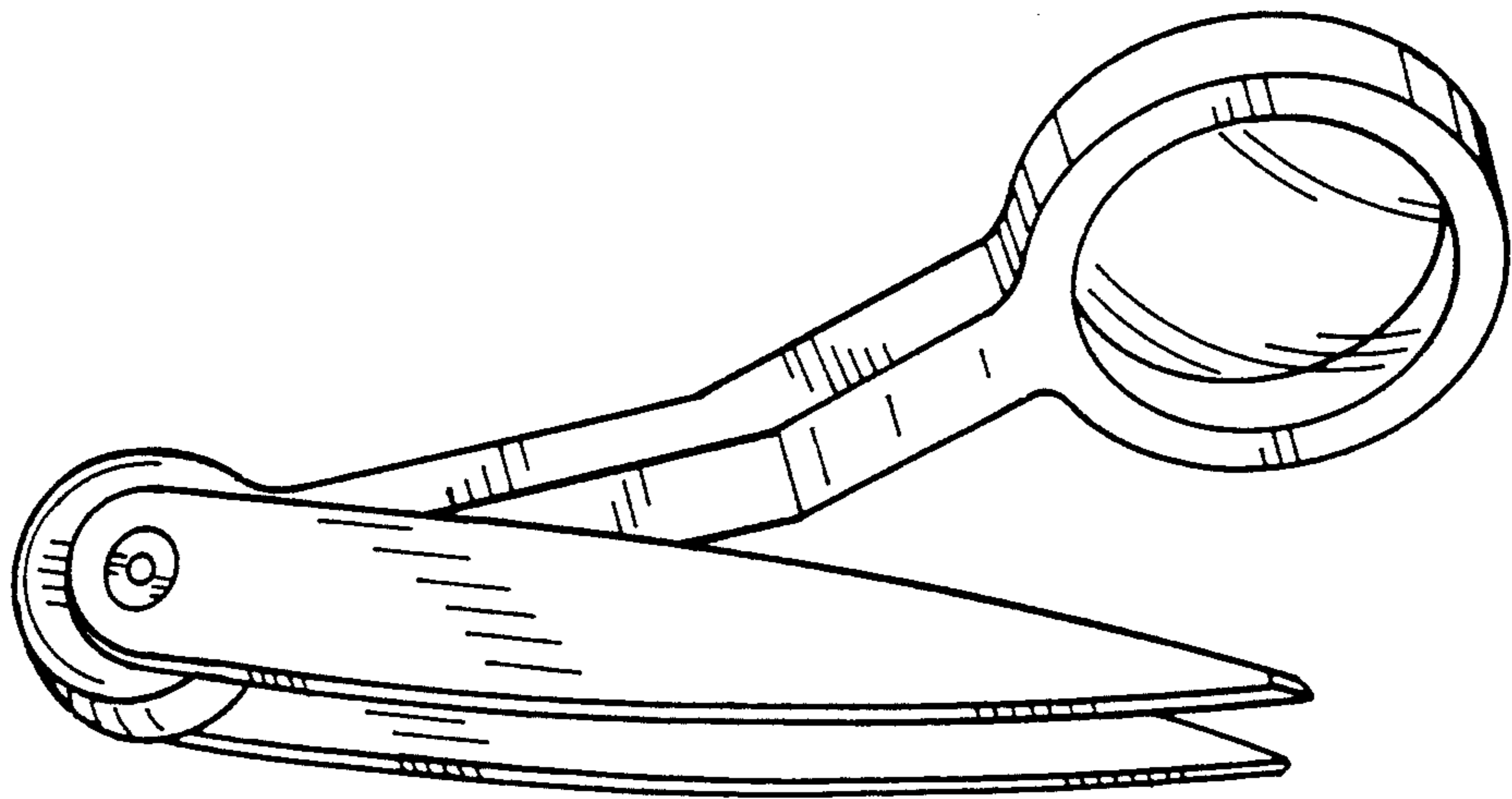


FIG. 2

FIG. 3

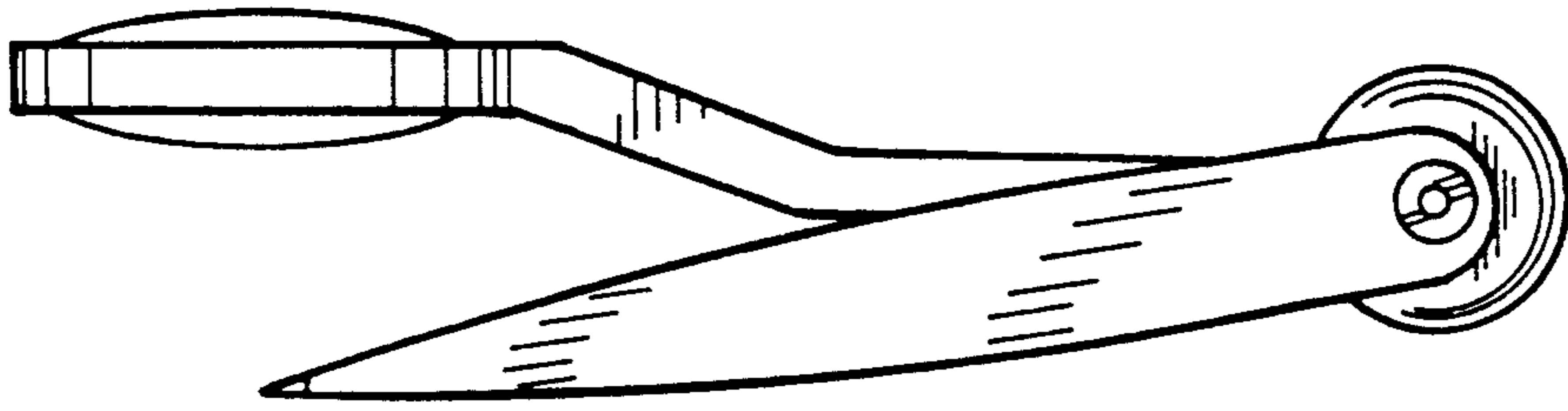


FIG. 4

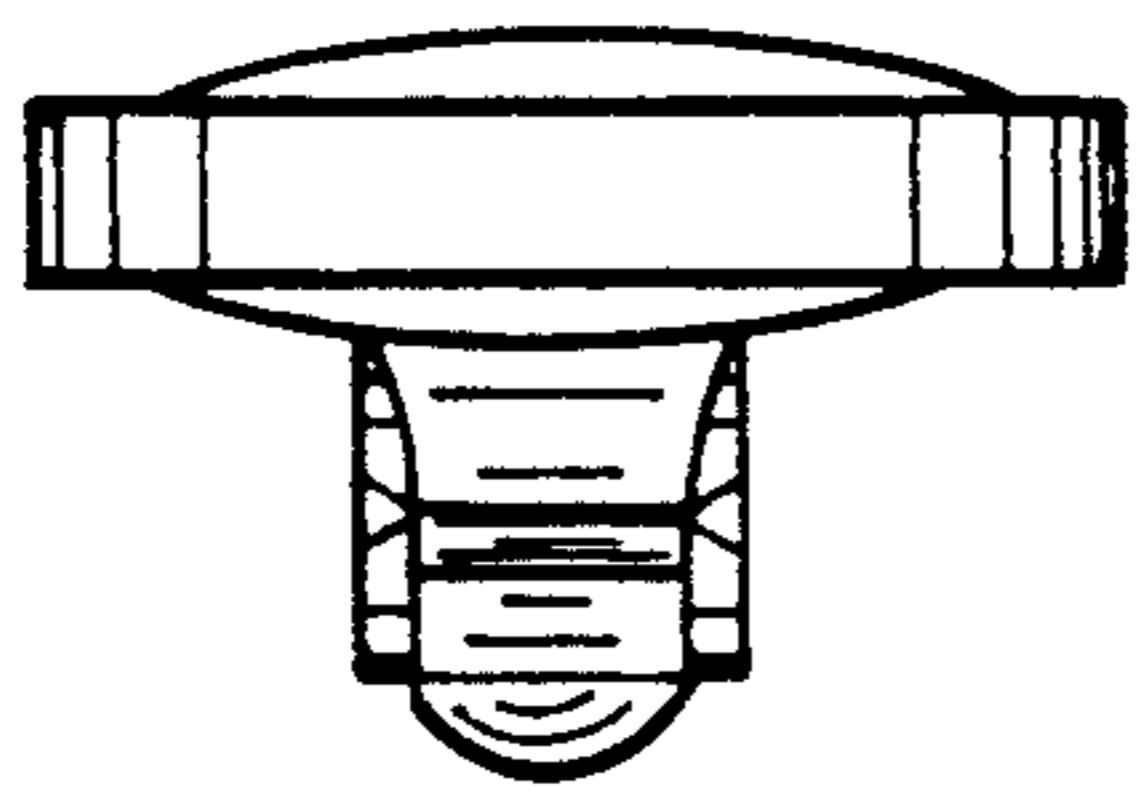
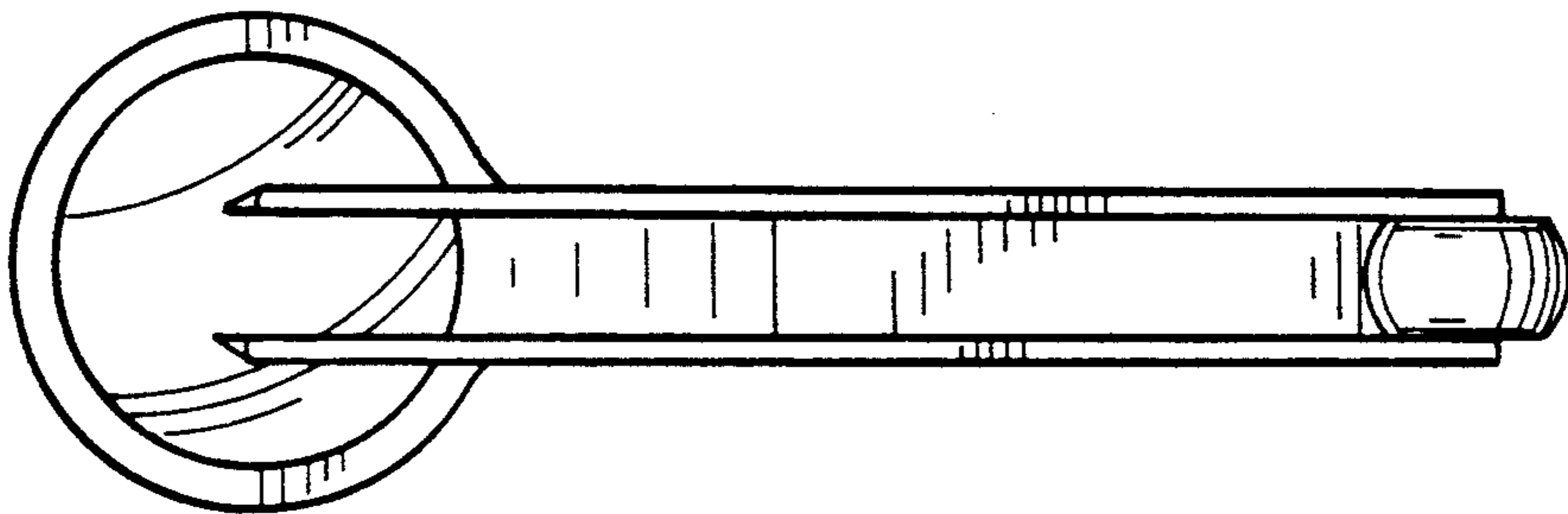


FIG. 5

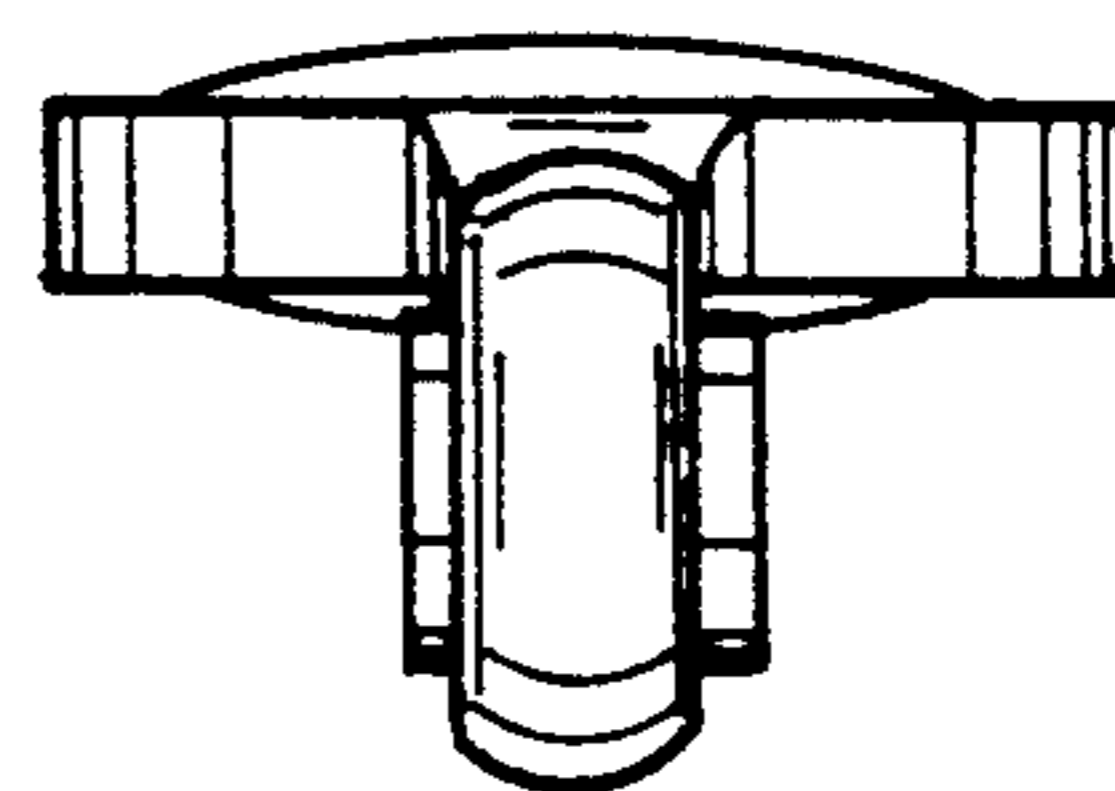


FIG. 6

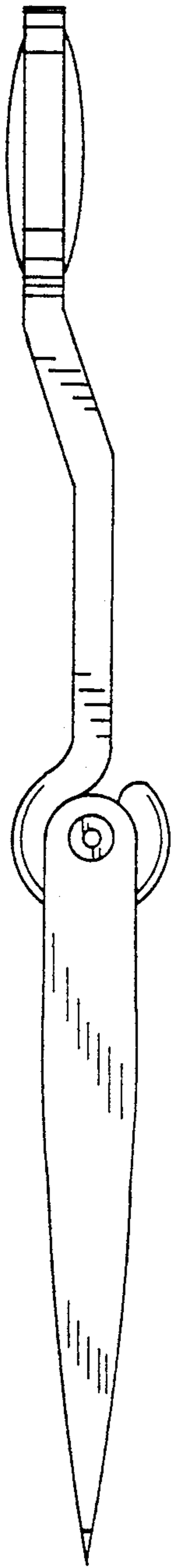


FIG. 7

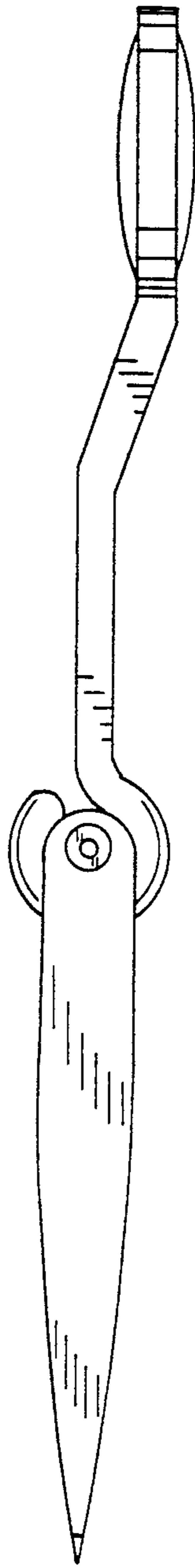


FIG. 8

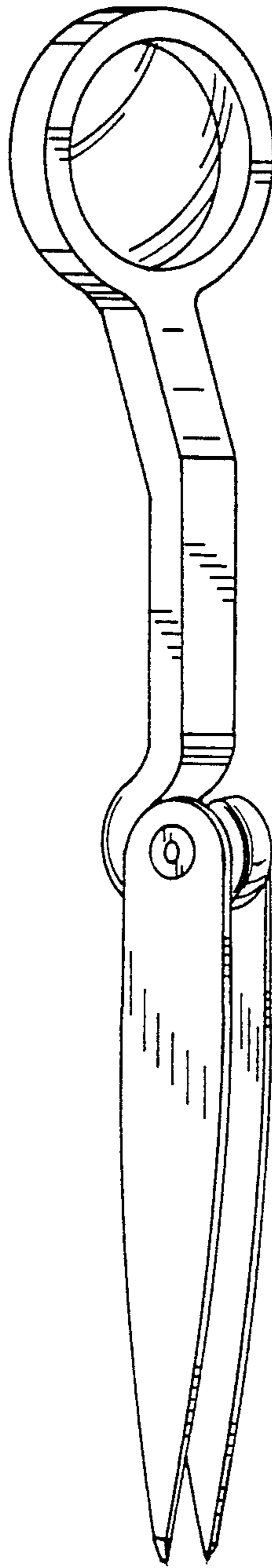


FIG. 9

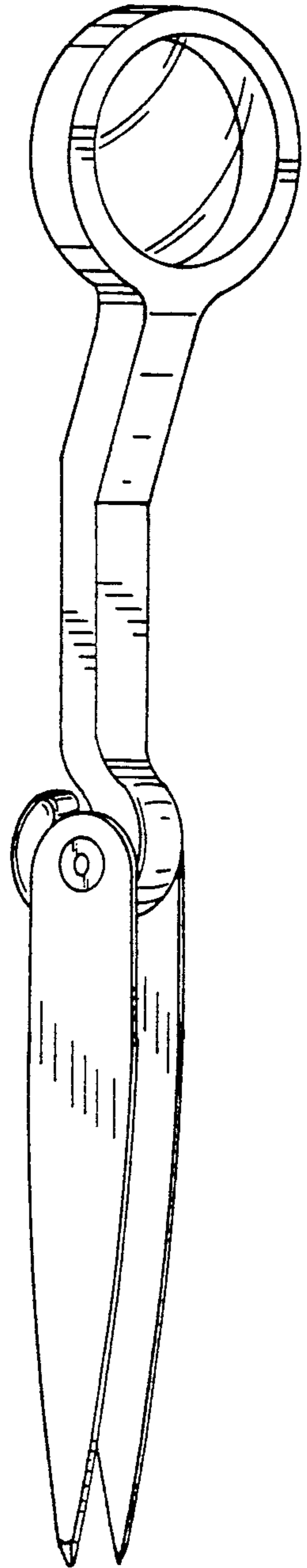


FIG. 10

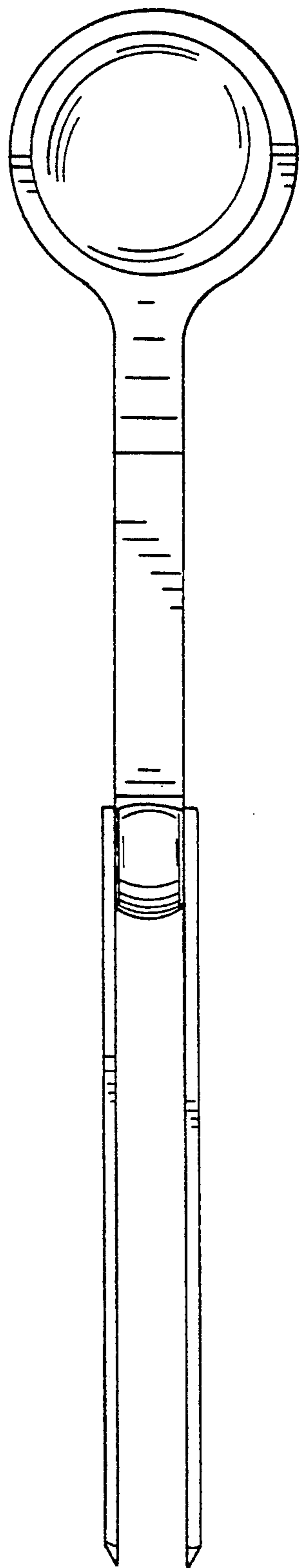


FIG. 11

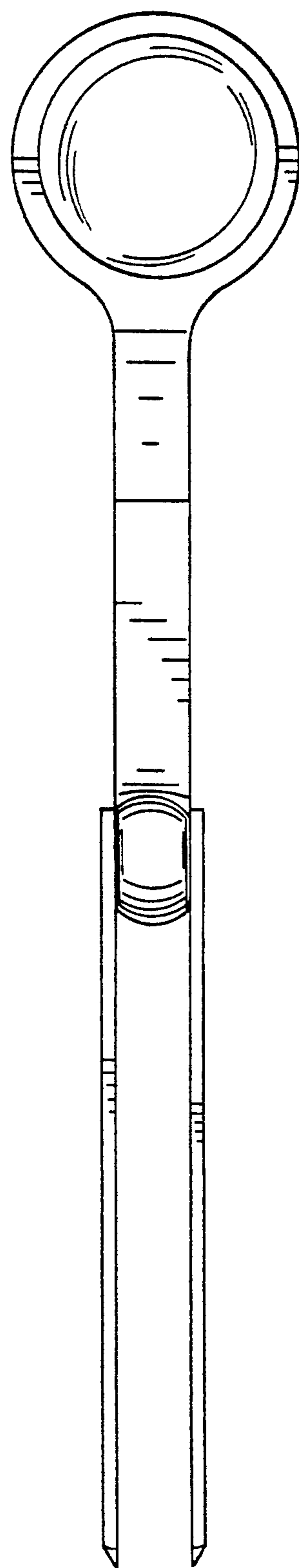


FIG. 12