



US00D343022S

United States Patent [19]

Solberg et al.

[11] Patent Number: **Des. 343,022**

[45] Date of Patent: **** Jan. 4, 1994**

[54] FLOODLIGHT

[75] Inventors: **Kent A. Solberg, Racine; Donald Wandler, Caledonia, both of Wis.**

[73] Assignee: **Ruud Lighting, Inc., Racine, Wis.**

[*] Notice: The portion of the term of this patent subsequent to Feb. 2, 2007 has been disclaimed.

[**] Term: **14 Years**

[21] Appl. No.: **653,807**

[22] Filed: **Feb. 11, 1991**

[52] U.S. Cl. **D26/68**

[58] Field of Search **362/431, 432, 362, 367, 362/153.1, 426; D26/67-71**

[56] References Cited

U.S. PATENT DOCUMENTS

- D. 264,635 5/1982 Labouliere et al. D26/67
- D. 285,010 8/1986 Mullins D26/67

OTHER PUBLICATIONS

Custom Lighting Inc. AD, p. 1, Exterior Luminaire #C1-Monterey-SQ1 (gr-290-Exterior Lamp Box). Ruud Lighting Catalog, 1986, inside front cover, Post Top Luminaire (gr-290-Exterior Lamp Box).

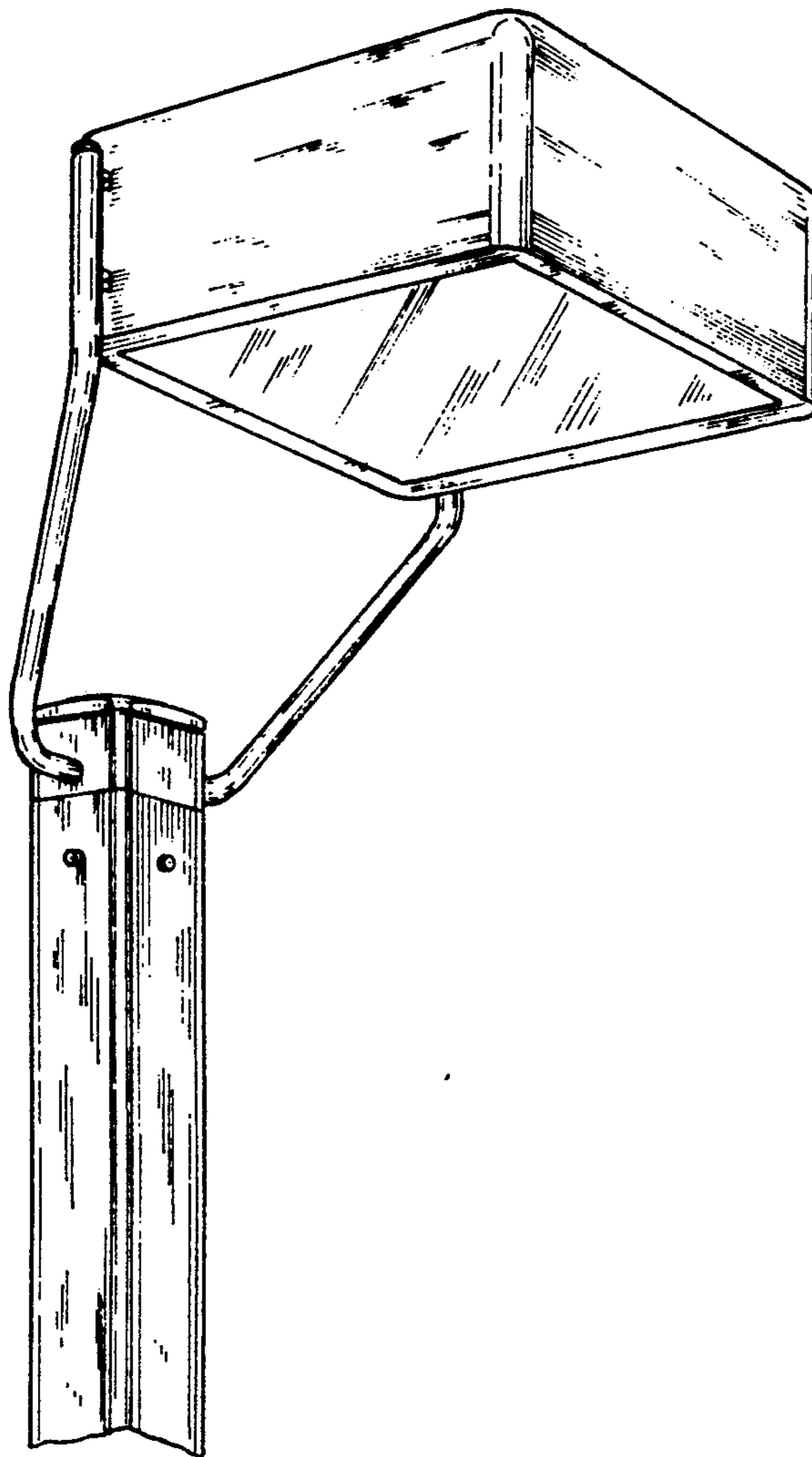
Primary Examiner—Susan J. Lucas
Attorney, Agent, or Firm—Jansson & Shupe, Ltd.

[57] CLAIM

The ornamental design for a floodlight, as shown and described.

DESCRIPTION

FIG. 1 is a front perspective view of a floodlight showing our new design; FIG. 2 is a top plan view thereof on a reduced scale; FIG. 3 is a side elevational view thereof on a reduced scale, the opposite side being a mirror image; FIG. 4 is a front elevational view thereof on a reduced scale, the rear being a mirror image; and, FIG. 5 is a bottom plan view thereof.



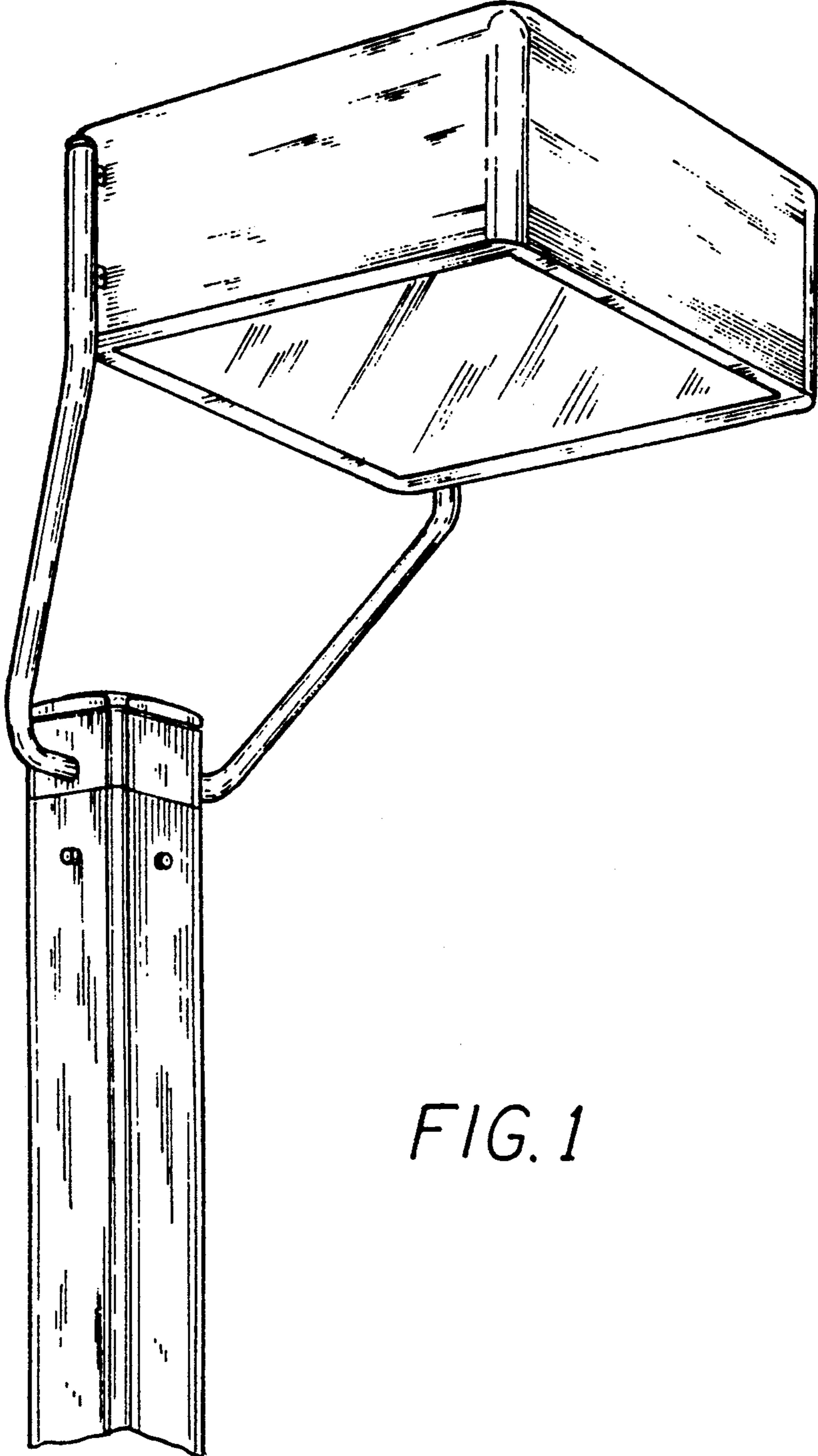


FIG. 1

FIG. 2

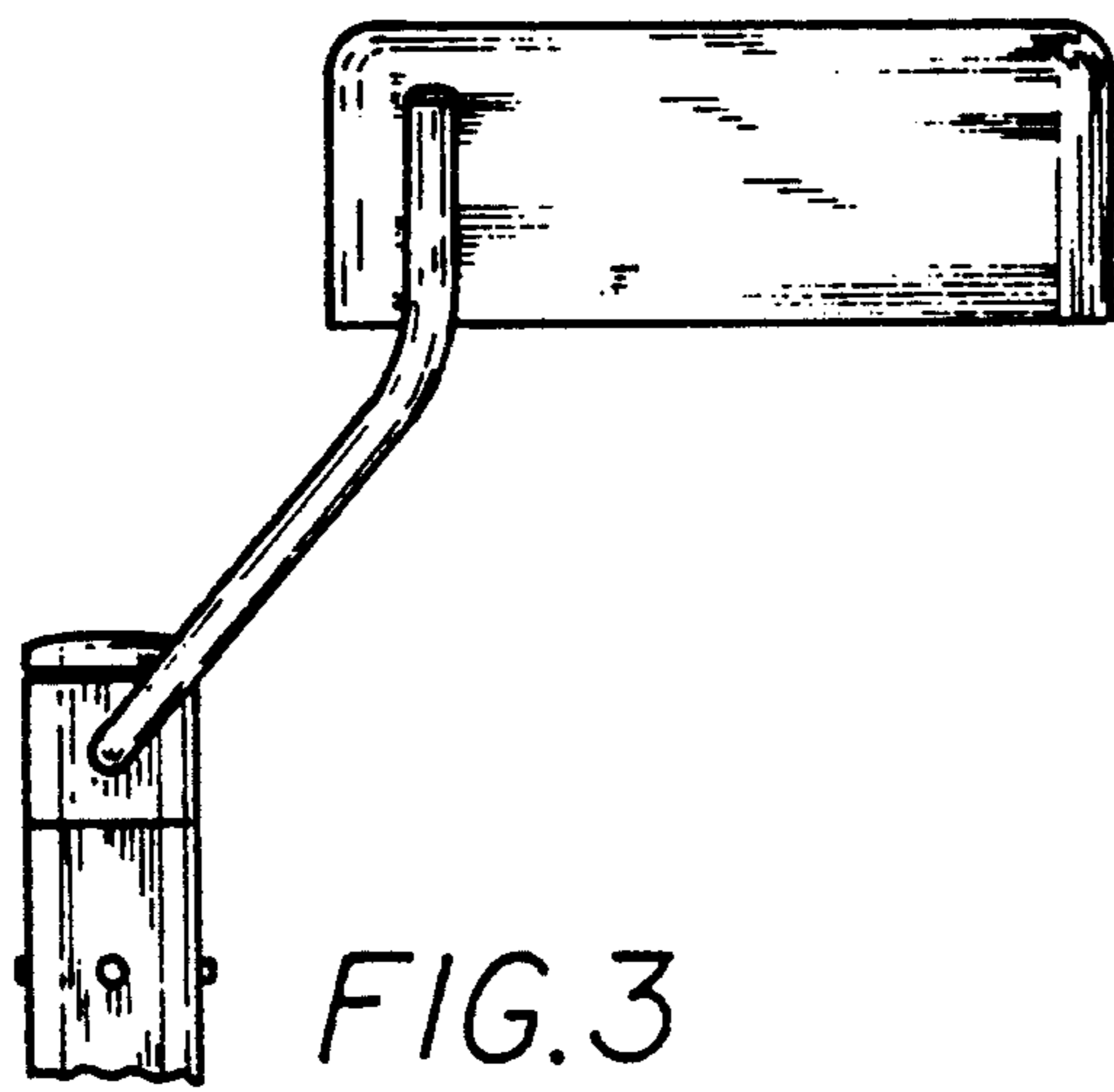
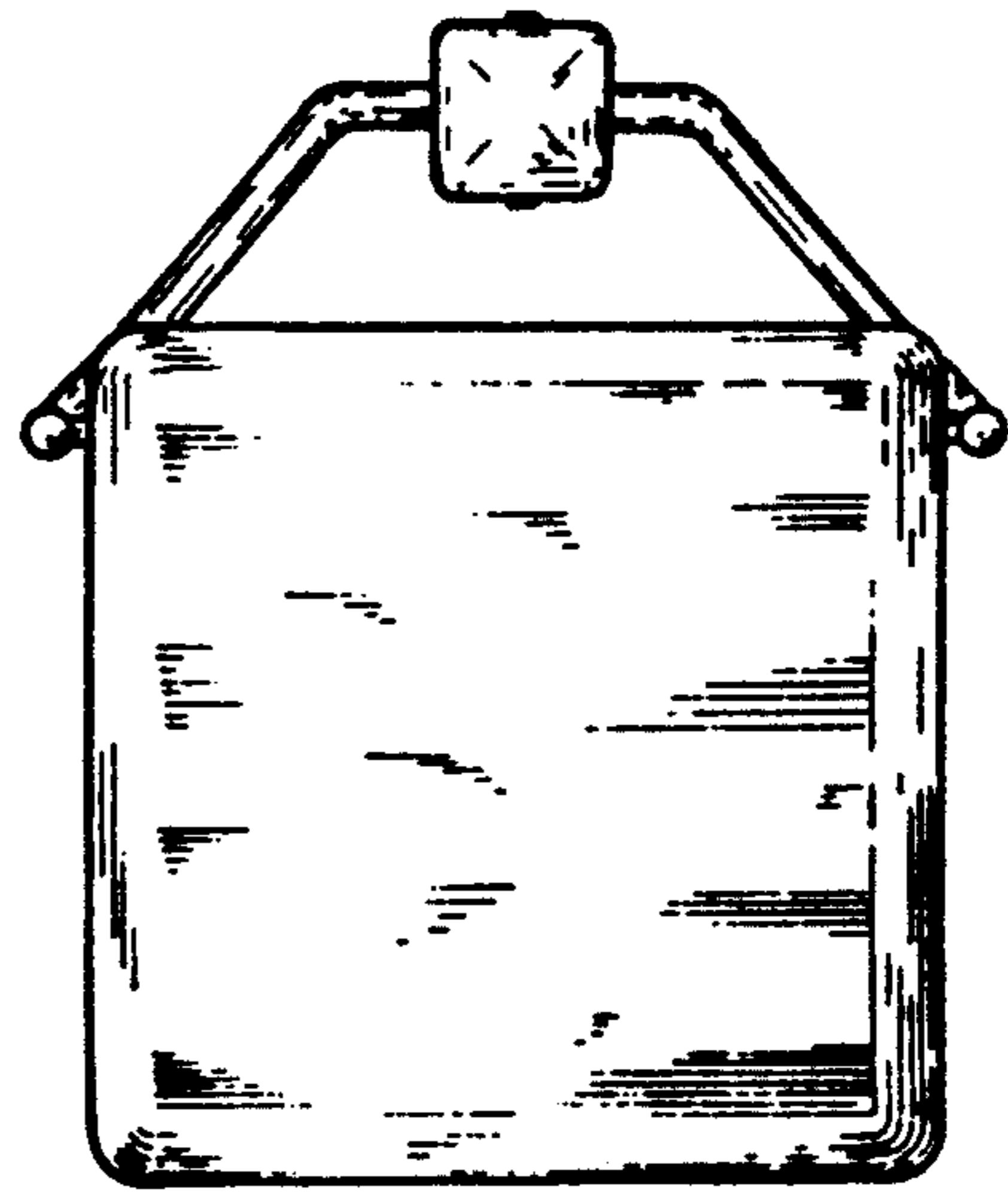


FIG. 3

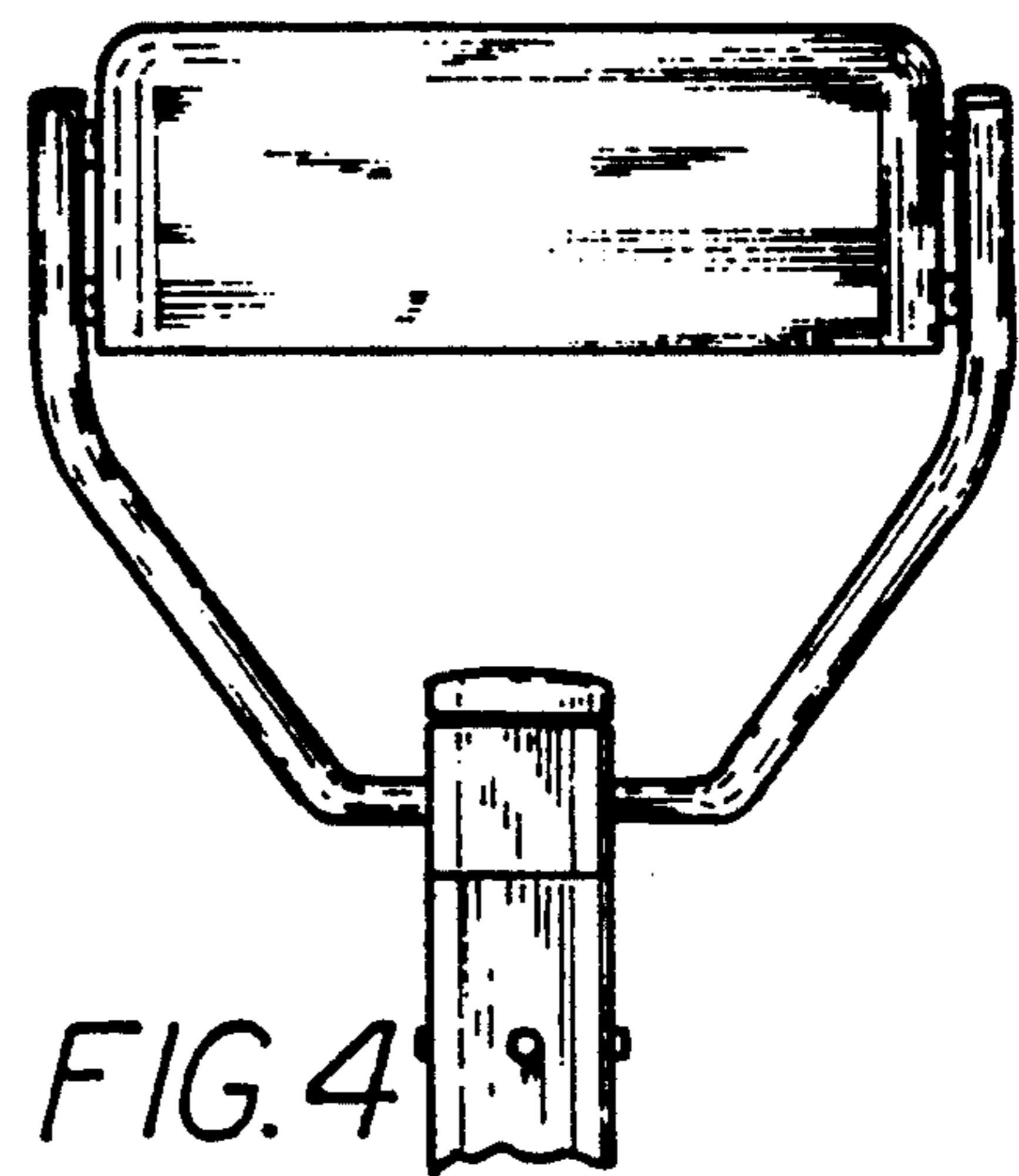


FIG. 4

FIG. 5

