



US00D343019S

United States Patent [19]

[11] Patent Number: **Des. 343,019**

Garrity

[45] Date of Patent: **** Jan. 4, 1994**

[54] **RECHARGEABLE FLASHLIGHT**

[75] Inventor: **Kevin S. Garrity, Madison, Conn.**

[73] Assignee: **Garrity Industries, Inc., Madison, Conn.**

[**] Term: **14 Years**

[21] Appl. No.: **822,840**

[22] Filed: **Jan. 21, 1992**

[52] U.S. Cl. **D26/37; D26/85**

[58] Field of Search **362/147, 432, 157, 158, 362/183-202; D26/72, 80-92, 37-50**

[56] **References Cited**

U.S. PATENT DOCUMENTS

D. 214,938	8/1969	Pettengill	D48/4
D. 225,370	12/1972	Peasley	D48/24
D. 249,291	9/1978	Pemberton	D48/4 B
D. 254,514	3/1980	Nicholl et al.	D26/26
D. 259,514	6/1981	Welch	D26/26
D. 267,980	2/1983	Gibstein et al.	D26/37
D. 272,193	1/1984	Sangiama	D26/85
D. 273,048	3/1984	Chan	D26/37
D. 274,268	6/1984	Schwartz	D26/26
D. 274,368	6/1984	Skarman	D26/26
D. 274,369	6/1984	Schwartz	D26/26
D. 275,423	9/1984	Stansbury, Jr. et al.	D26/38
D. 276,658	12/1984	Yuen	D26/37
D. 284,707	7/1986	Tanaka	D26/37
D. 285,358	8/1986	Joosten et al.	D26/77
D. 285,359	8/1986	Joosten et al.	D26/77
D. 286,579	11/1986	Pugh et al.	D26/85
D. 288,245	2/1987	Corder et al.	D26/26

D. 288,857	3/1987	Spaine	D26/72
D. 294,180	2/1988	Johnson et al.	D26/93
D. 301,750	6/1989	Fenne	D26/26
D. 315,421	3/1991	Goldschmidt	D26/85
D. 315,962	4/1991	Lavinsky et al.	D26/24
D. 317,363	6/1991	Welch	D26/26
3,192,378	6/1965	Oldenberger	240/10.65
3,233,091	2/1966	Hunt	362/183
3,757,107	9/1973	Peasley	240/10.6 R
4,107,766	8/1978	Baker	362/226

OTHER PUBLICATIONS

Hong Kong Enterprise, Nov. 1984, p. 55, Power Failure Light Flashlight Box.

Primary Examiner—Susan J. Lucas

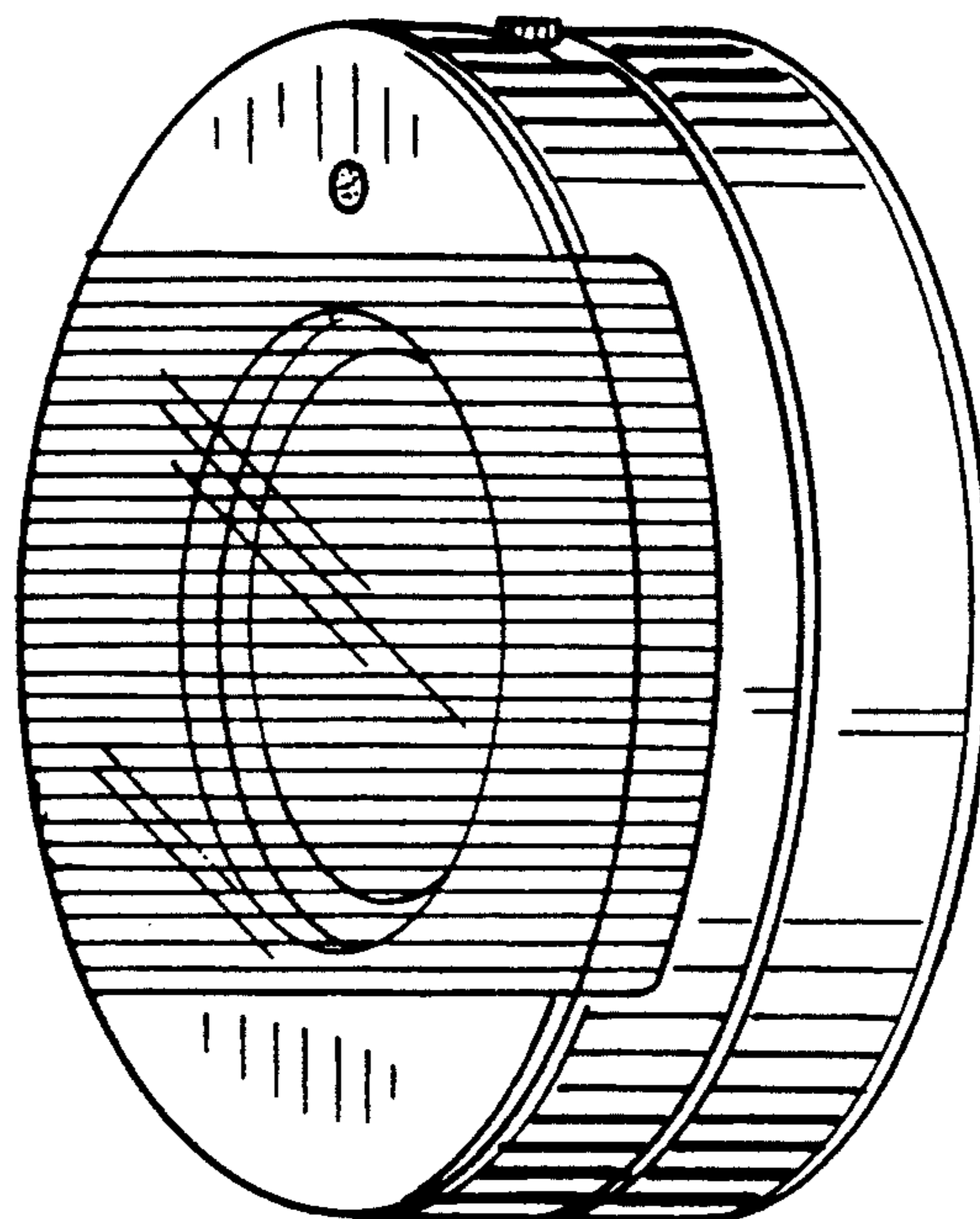
Attorney, Agent, or Firm—Fitzpatrick, Cella, Harper & Scinto

[57] **CLAIM**

The ornamental design for a rechargeable flashlight, as shown and described.

DESCRIPTION

FIG. 1 is a perspective view of a rechargeable flashlight showing my new design;
 FIG. 2 is front view thereof;
 FIG. 3 is a side view thereof, the opposite side being a mirror image;
 FIG. 4 is a top plan view thereof;
 FIG. 5 is a bottom plan view thereof;
 FIG. 6 is a back view thereof; and,
 FIG. 7 is an enlarged cross-sectional view as taken along line 8—8 of FIG. 2.



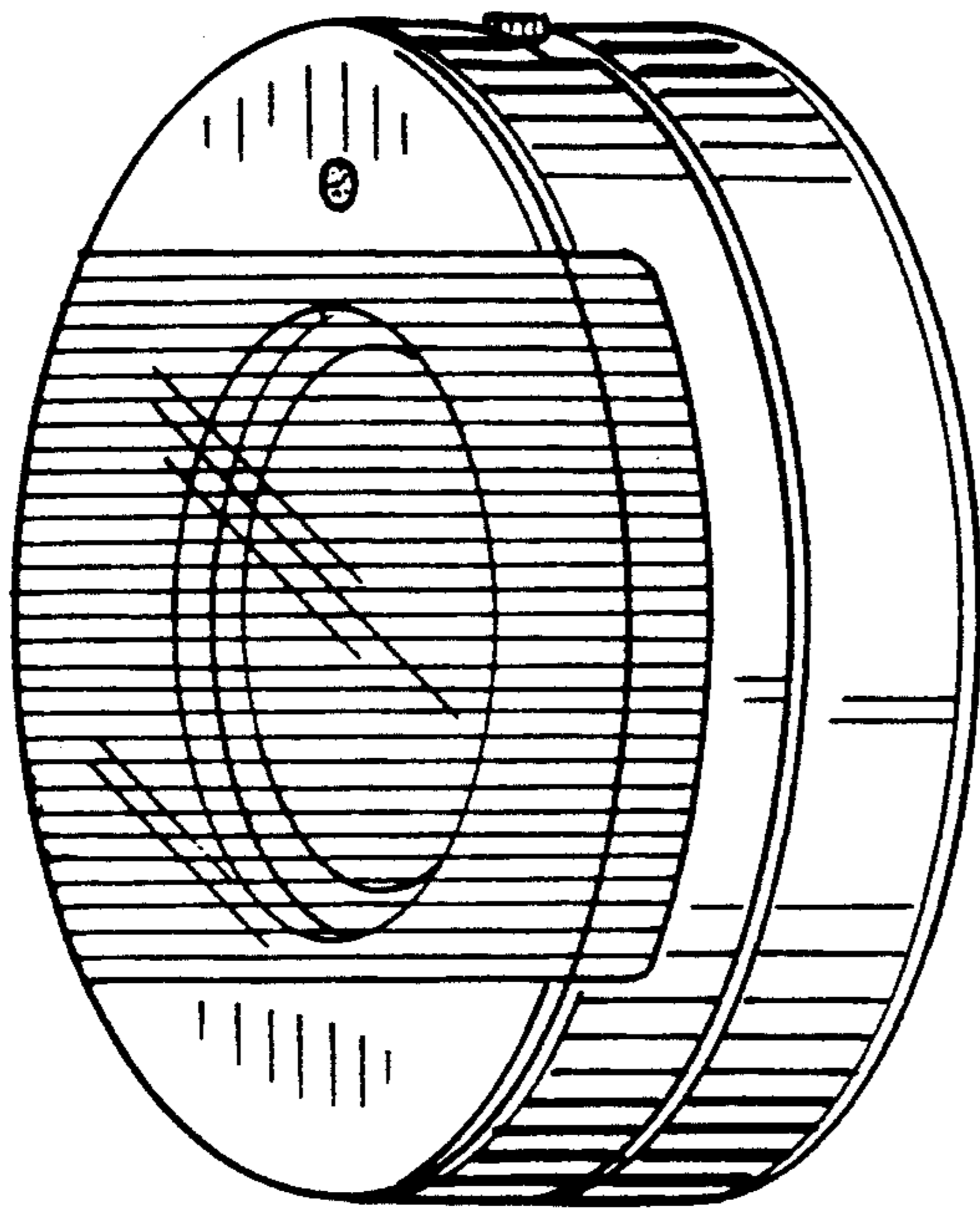


Fig. 1

Fig. 3

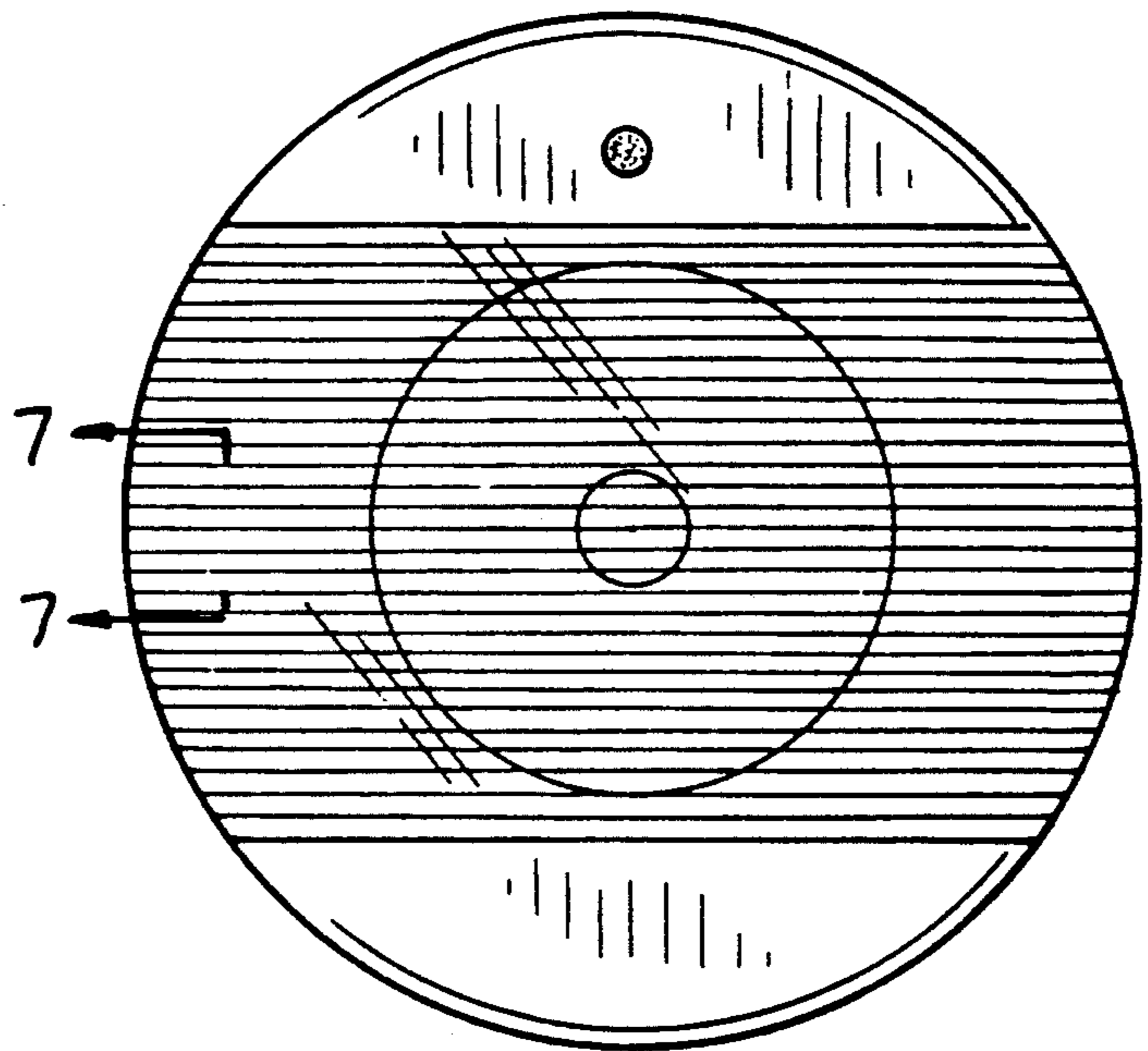
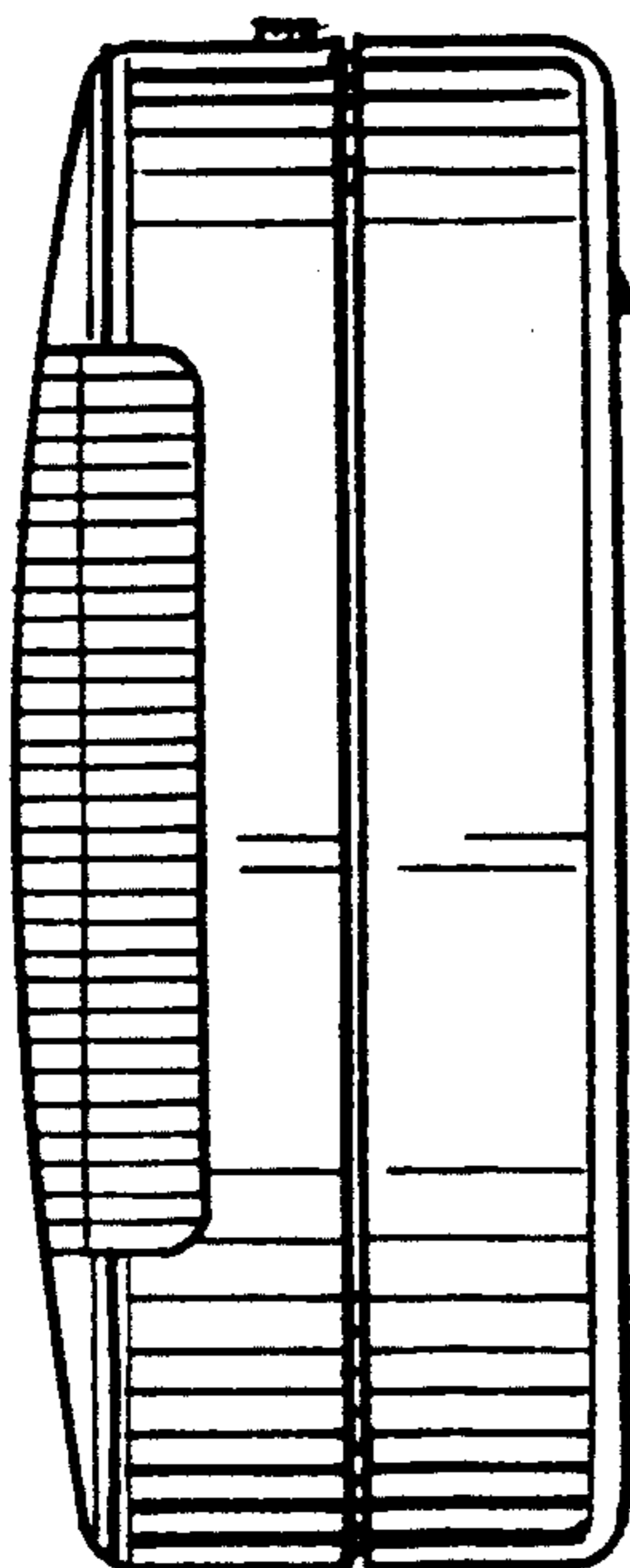


Fig. 2

Fig. 4

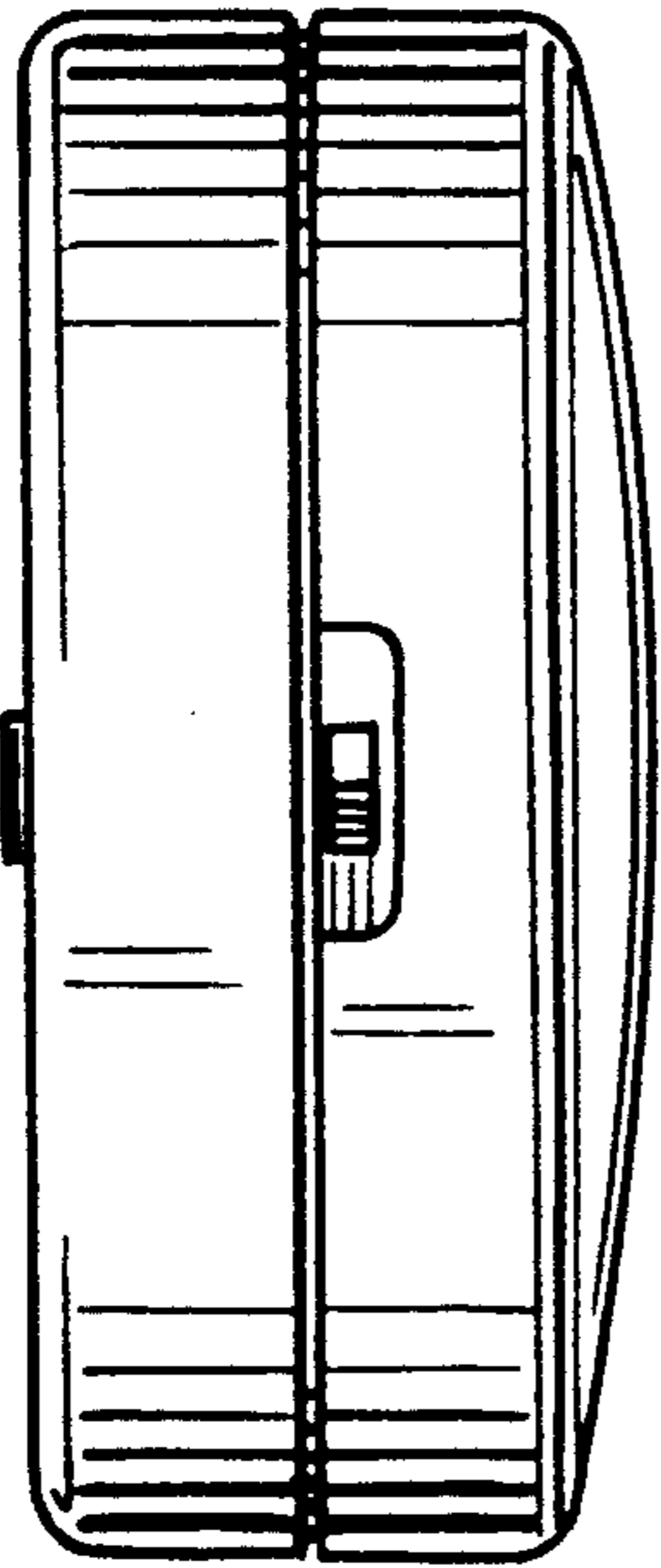


Fig. 5

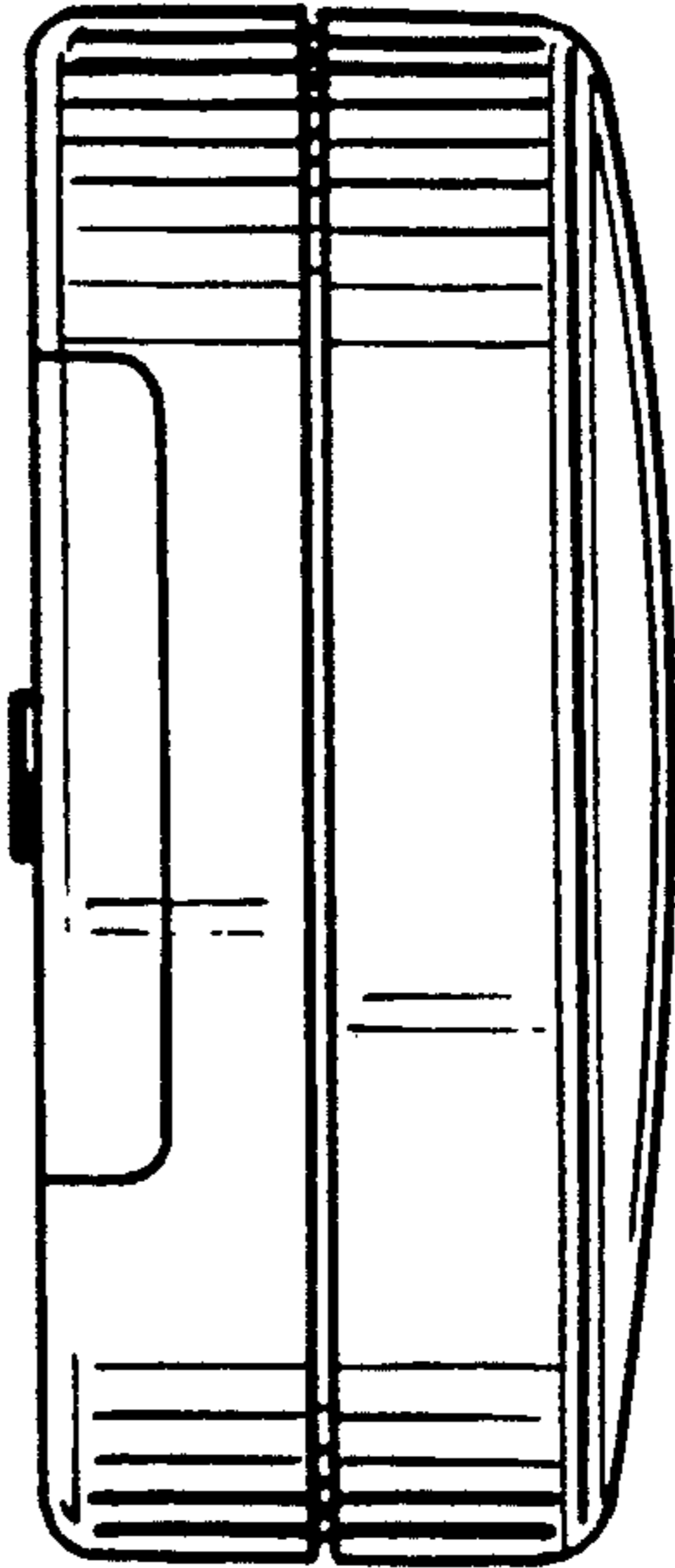


Fig. 6

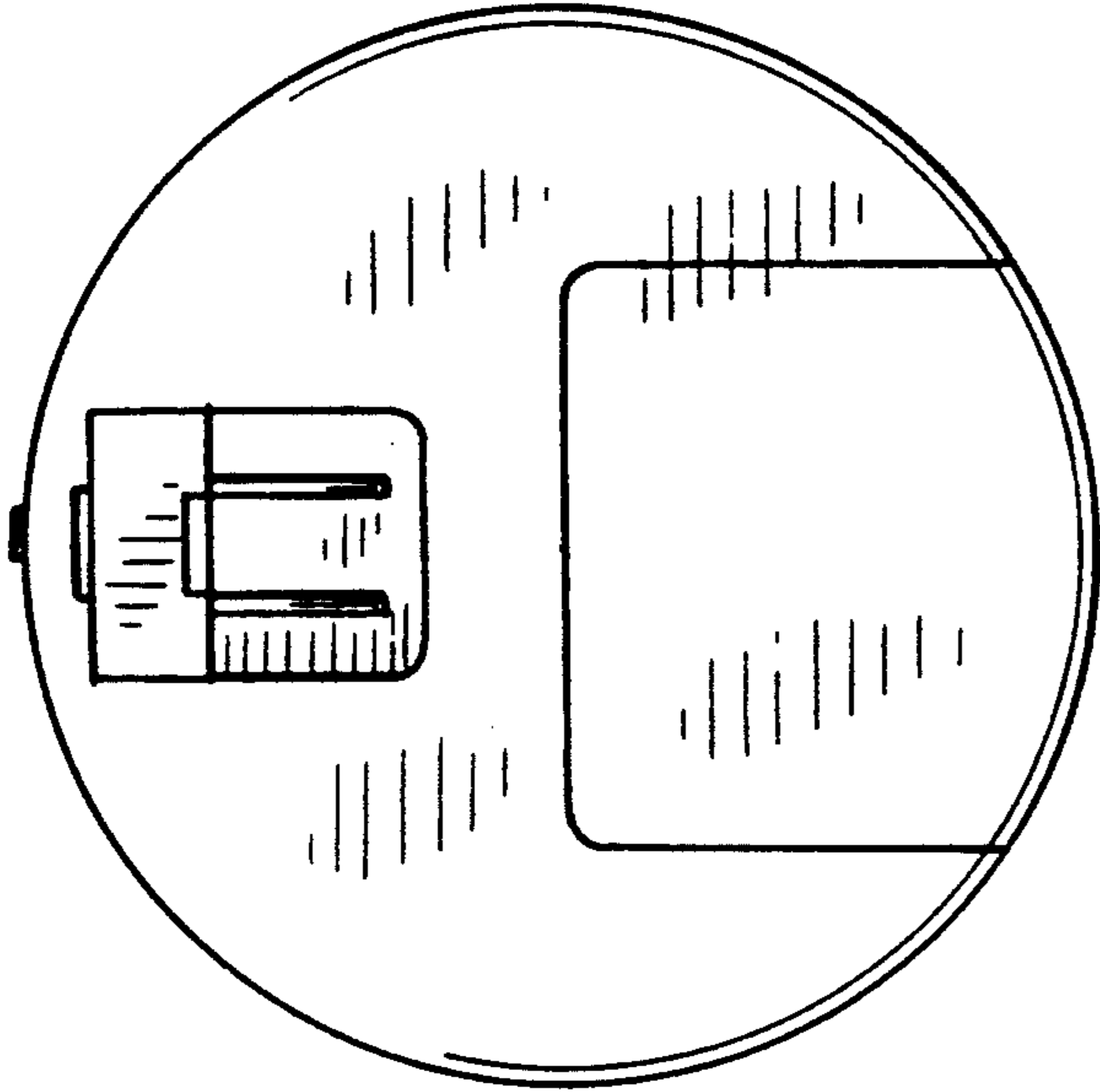


Fig. 7

