



US00D343012S

United States Patent [19]
Cole

[11] **Patent Number: Des. 343,012**

[45] **Date of Patent: ** Jan. 4, 1994**

[54] **WINDOW COMPONENT EXTRUSION**

[75] **Inventor: Douglas L. Cole, Seattle, Wash.**

[73] **Assignee: Mikron Industries, Kent, Wash.**

[**] **Term: 14 Years**

[21] **Appl. No.: 882,090**

[22] **Filed: May 7, 1992**

[52] **U.S. Cl. D25/124**

[58] **Field of Search 49/504, DIG. 2;
D25/124-125**

D. 307,484 4/1990 Westphal et al. D25/124
4,974,364 12/1990 Dorham, Jr. 49/DIG. 2

Primary Examiner—A. Hugo Word

Assistant Examiner—Doris Clark

Attorney, Agent, or Firm—Seed and Berry

[57] **CLAIM**

The ornamental design for a window component extrusion, as shown and described.

DESCRIPTION

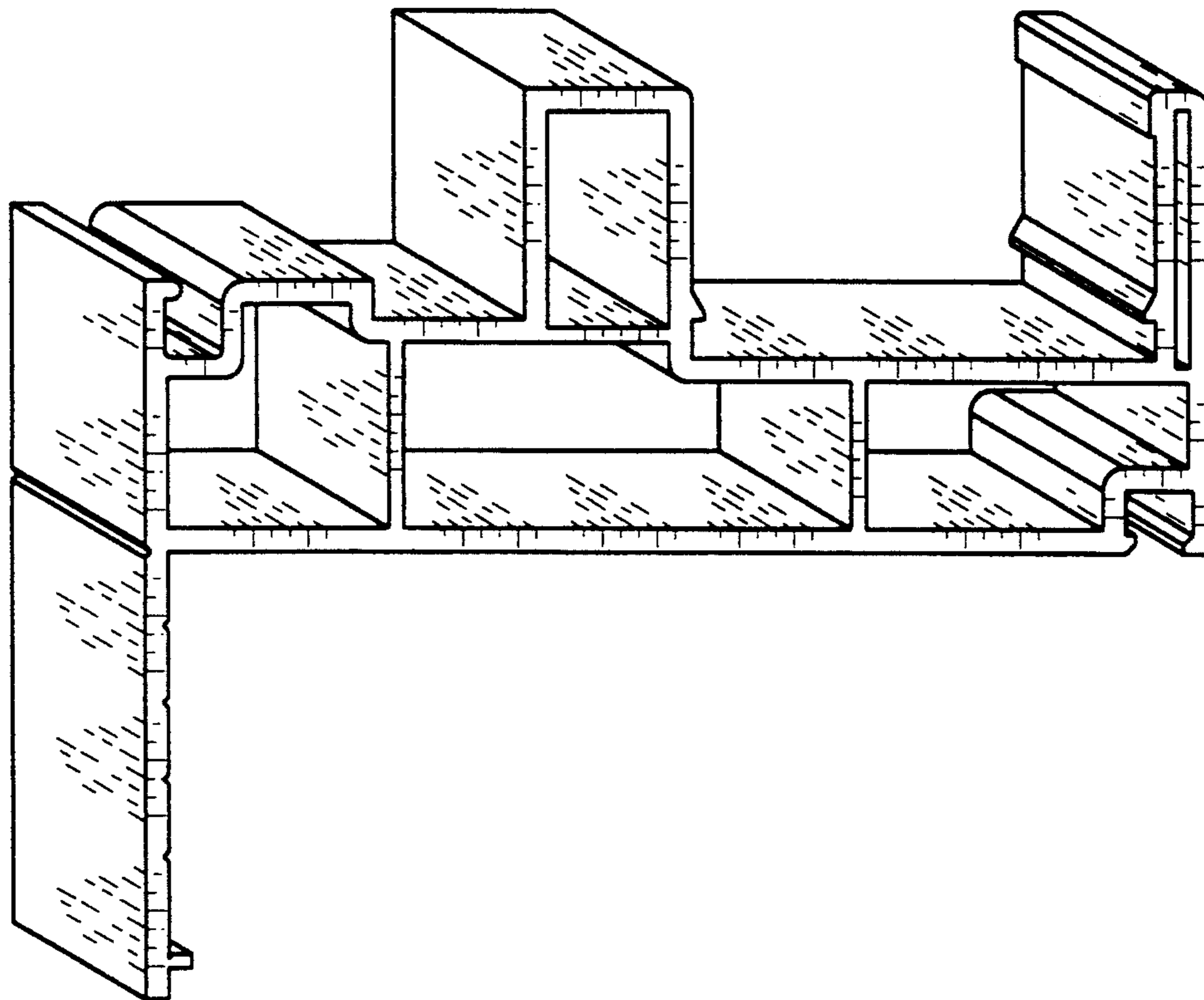
FIG. 1 is a perspective view of a window component extrusion showing my new design viewed from the top right; and,

FIG. 2 is a perspective view thereof viewed from the bottom left.

[56] **References Cited**

U.S. PATENT DOCUMENTS

D. 283,358 4/1986 Slocomb, Jr. D25/125



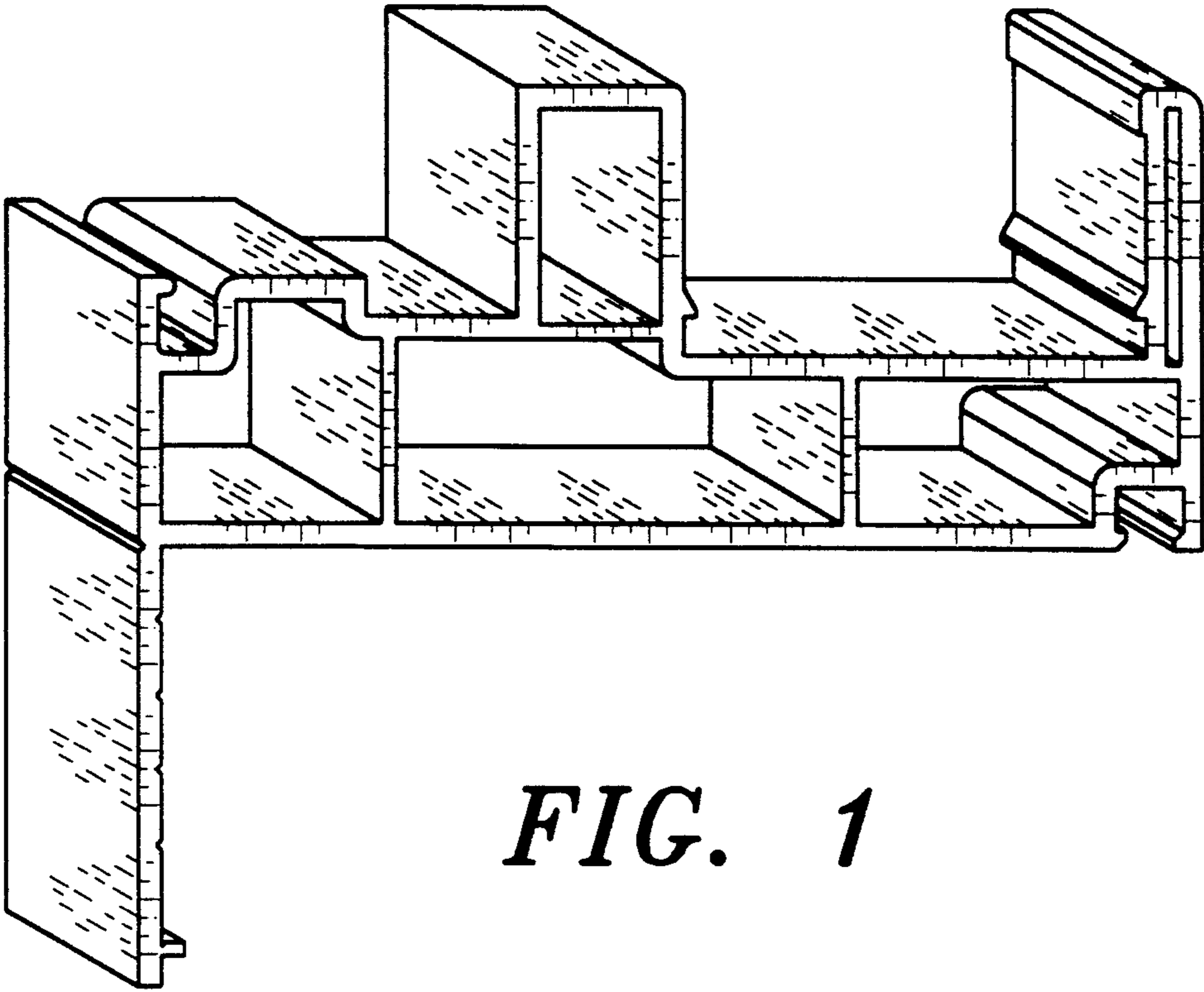


FIG. 1

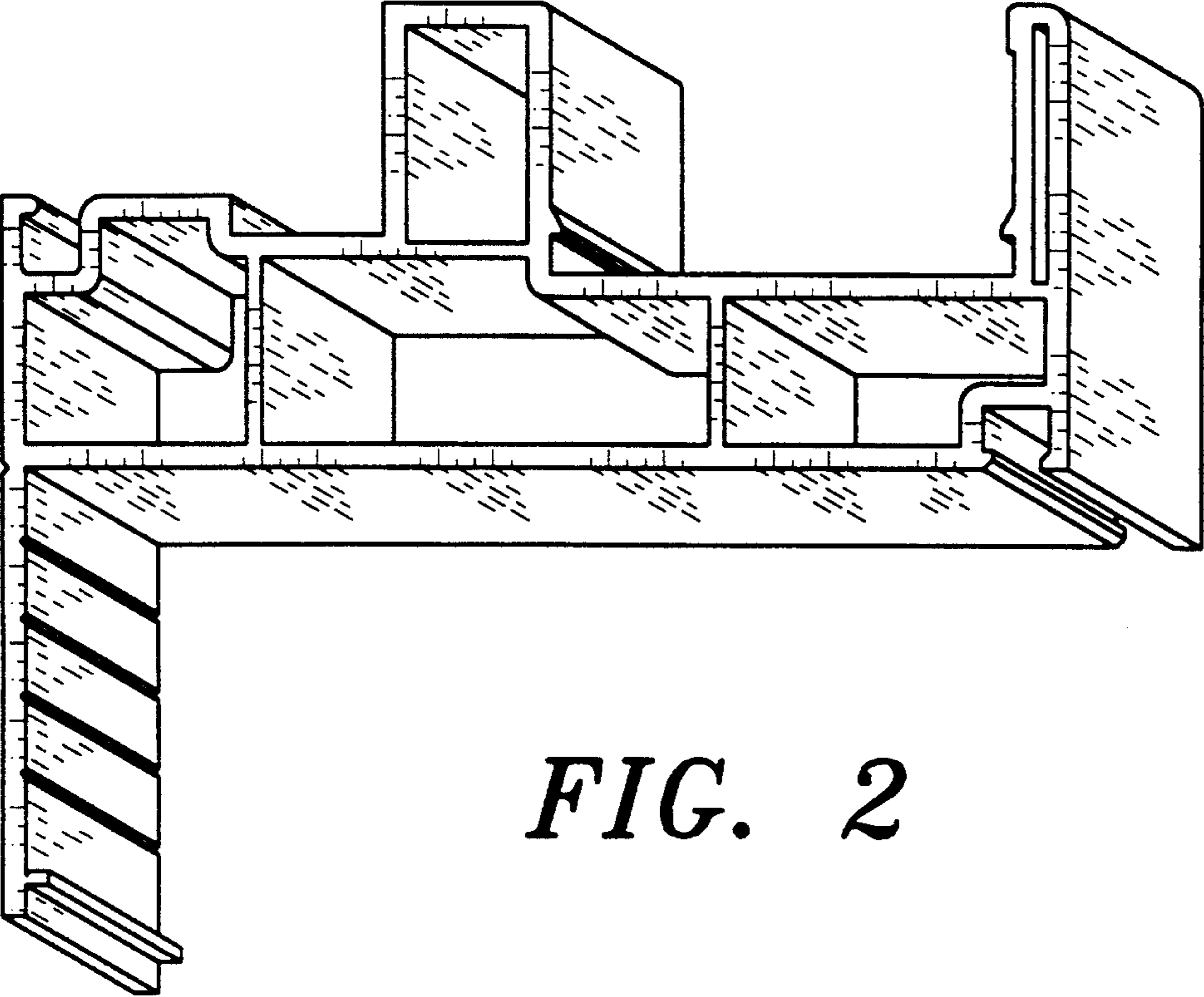


FIG. 2