



US00D343011S

United States Patent [19] Cole

[11] Patent Number: **Des. 343,011**
[45] Date of Patent: **** Jan. 4, 1994**

[54] WINDOW COMPONENT EXTRUSION
[75] Inventor: Douglas L. Cole, Seattle, Wash.
[73] Assignee: Mikron Industries, Kent, Wash.
[**] Term: 14 Years
[21] Appl. No.: 881,364
[22] Filed: May 7, 1992
[52] U.S. Cl. D25/124
[58] Field of Search 49/504, DIG. 2;
D25/124-125

D. 299,970 2/1989 Hardy D25/124
3,859,754 1/1975 Budich et al. 49/504

Primary Examiner—A. Hugo Word
Assistant Examiner—Doris Clark
Attorney, Agent, or Firm—Seed and Berry

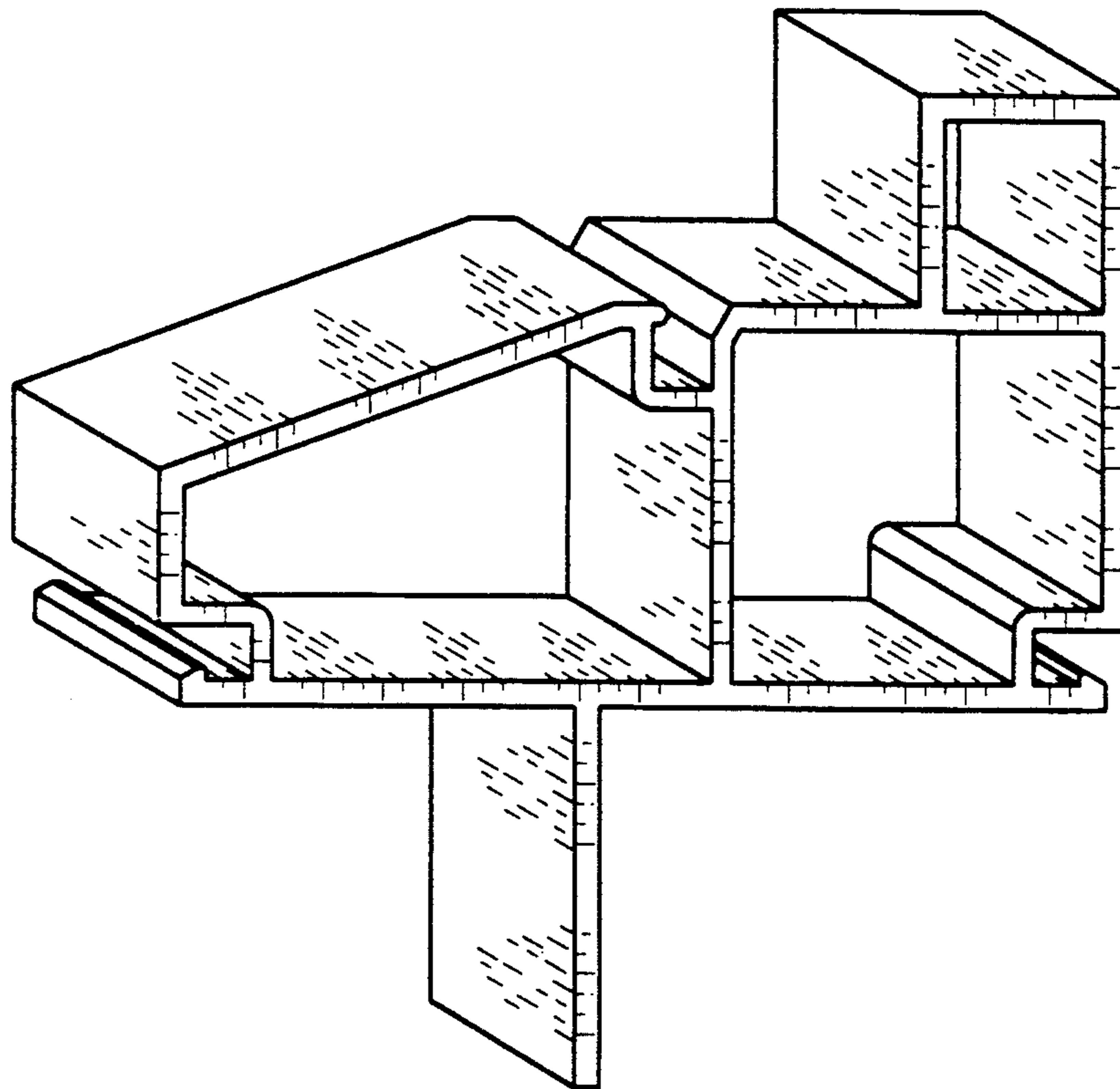
[57] CLAIM

The ornamental design for a window component extrusion, as shown and described.

DESCRIPTION

FIG. 1 is a perspective view of a window component extrusion showing my new design viewed from the top right; and, FIG. 2 is a perspective view thereof viewed from the bottom left.

[56] **References Cited**
U.S. PATENT DOCUMENTS
D. 261,314 10/1981 Schmidt D25/124



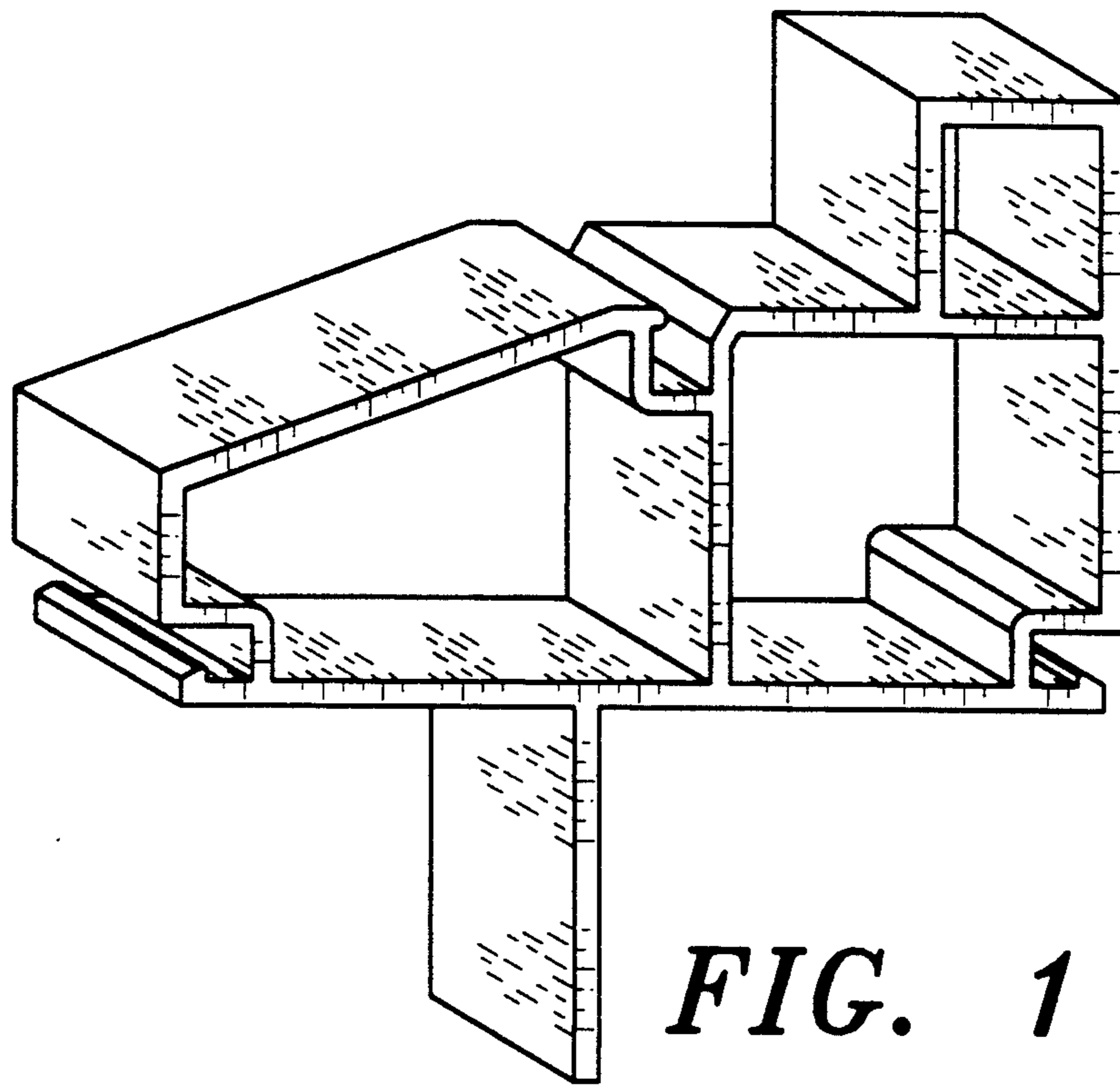


FIG. 1

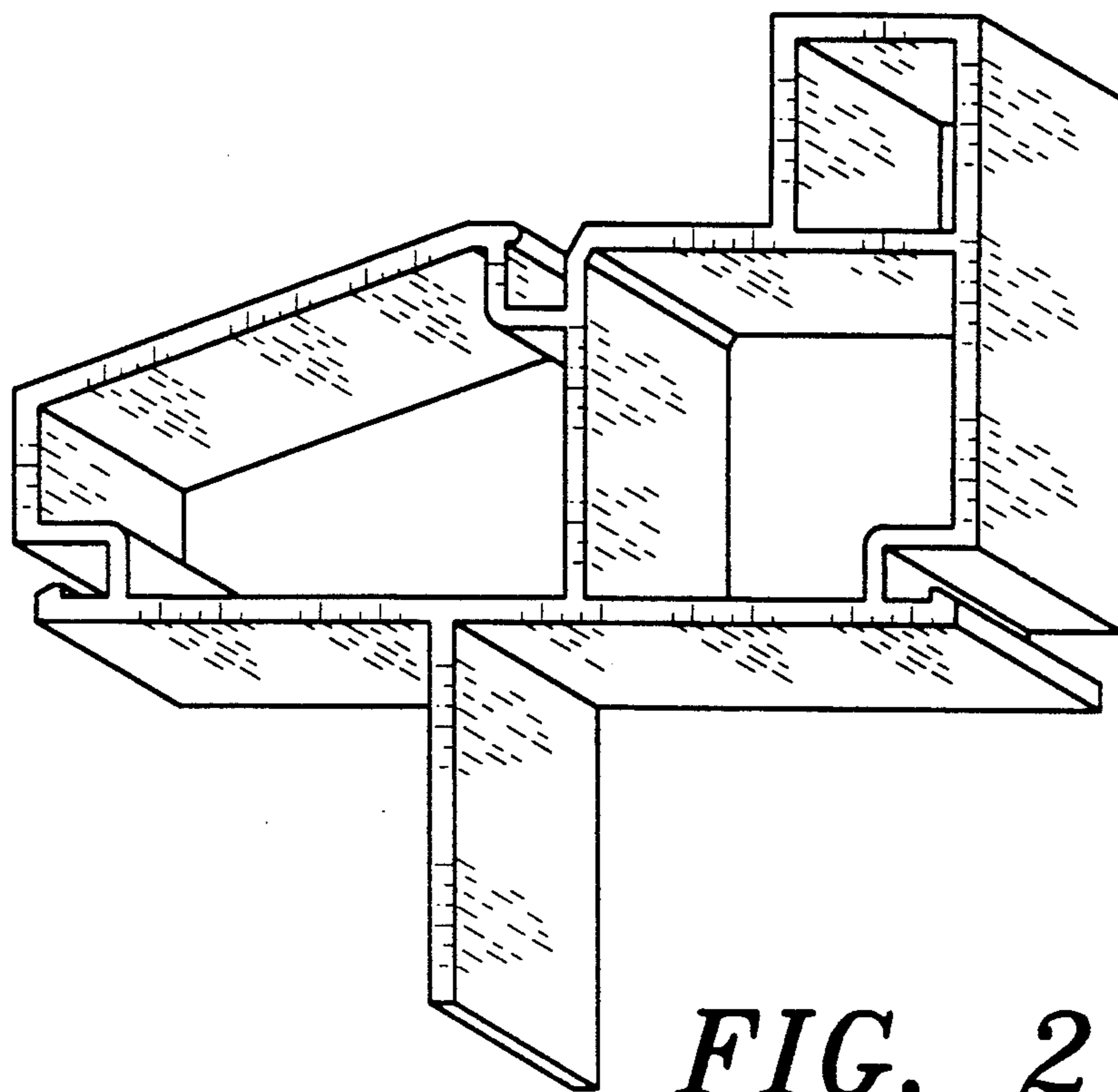


FIG. 2