



US00D343009S

United States Patent [19]
Cole

[11] **Patent Number: Des. 343,009**
[45] **Date of Patent: ** Jan. 4, 1994**

[54] **WINDOW COMPONENT EXTRUSION**

[56] **References Cited**

[75] **Inventor: Douglas L. Cole, Seattle, Wash.**

U.S. PATENT DOCUMENTS

D. 301,626 6/1989 Dallaire et al. D25/124
4,949,506 8/1990 Durham, Jr. 49/504

[73] **Assignee: Mikron Industries, Kent, Wash.**

Primary Examiner—A. Hugo Word
Assistant Examiner—Doris Clark
Attorney, Agent, or Firm—Seed and Berry

[**] **Term: 14 Years**

[57] **CLAIM**

The ornamental design for a window component extrusion, as shown and described.

[21] **Appl. No.: 880,603**

DESCRIPTION

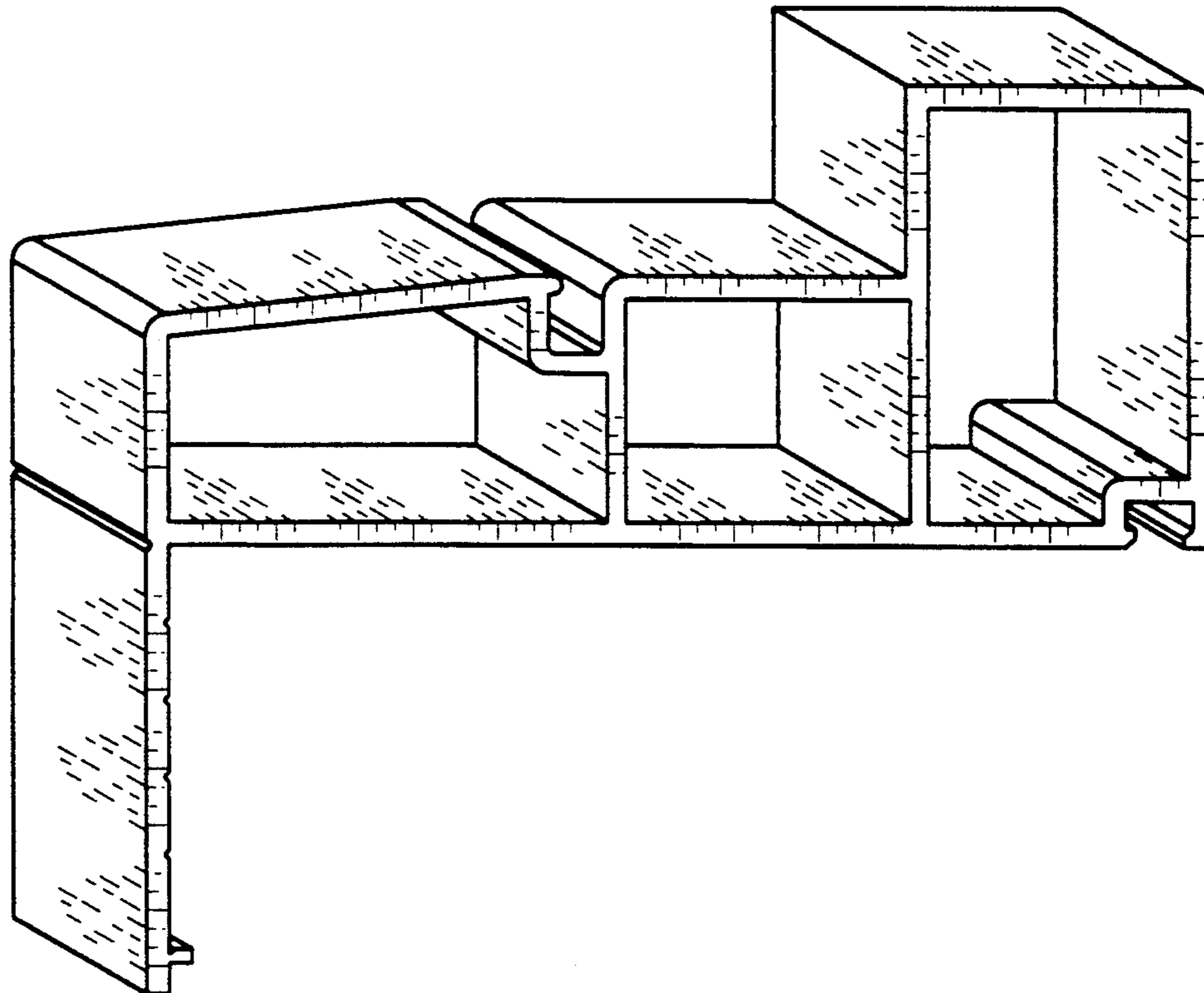
[22] **Filed: May 7, 1992**

FIG. 1 is a perspective view of a window component extrusion showing my new design viewed from the top right; and,

[52] **U.S. Cl. D25/124**

[58] **Field of Search 49/504, DIG. 2;
D25/124-125**

FIG. 2 is a perspective view thereof viewed from the bottom left.



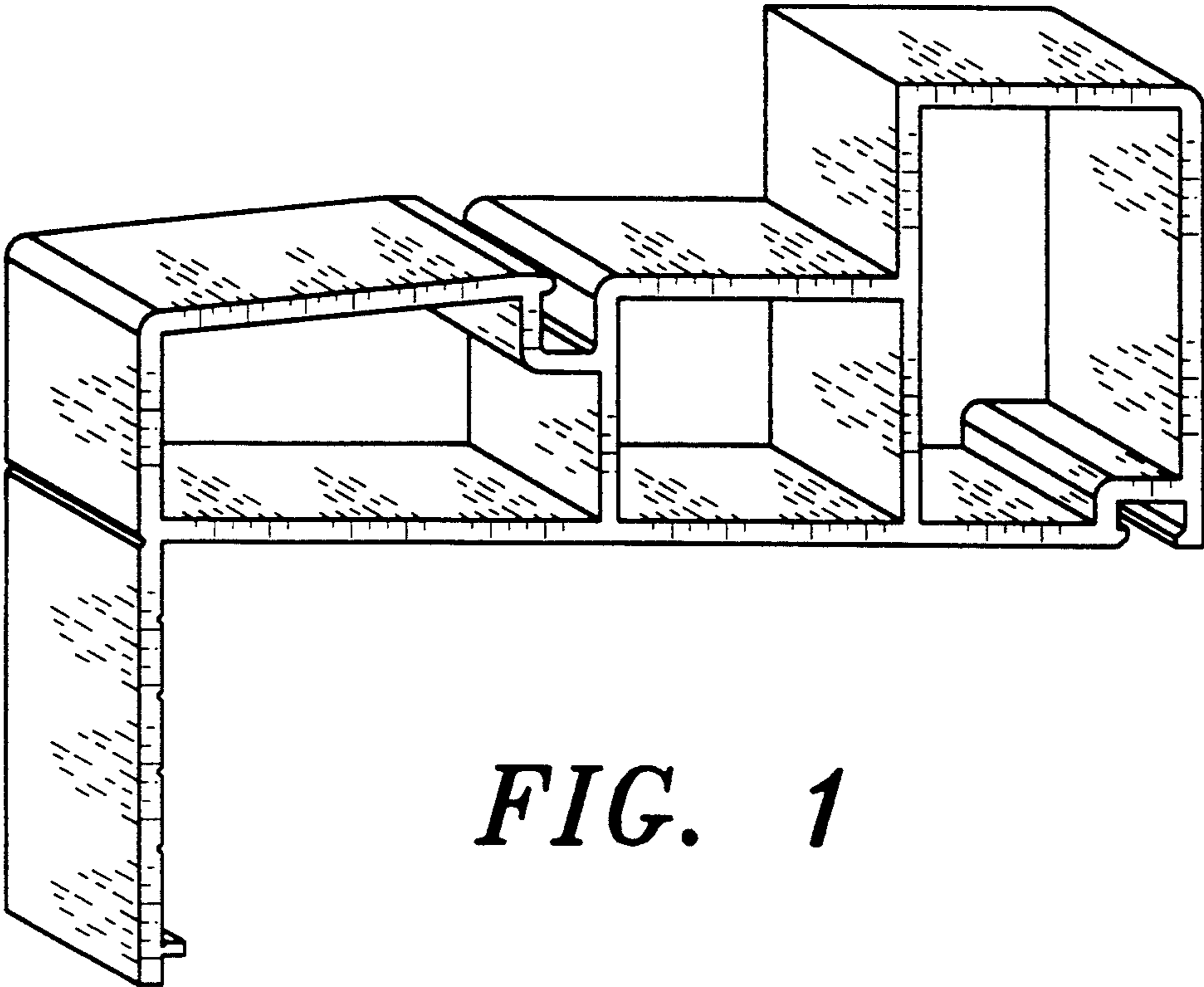


FIG. 1

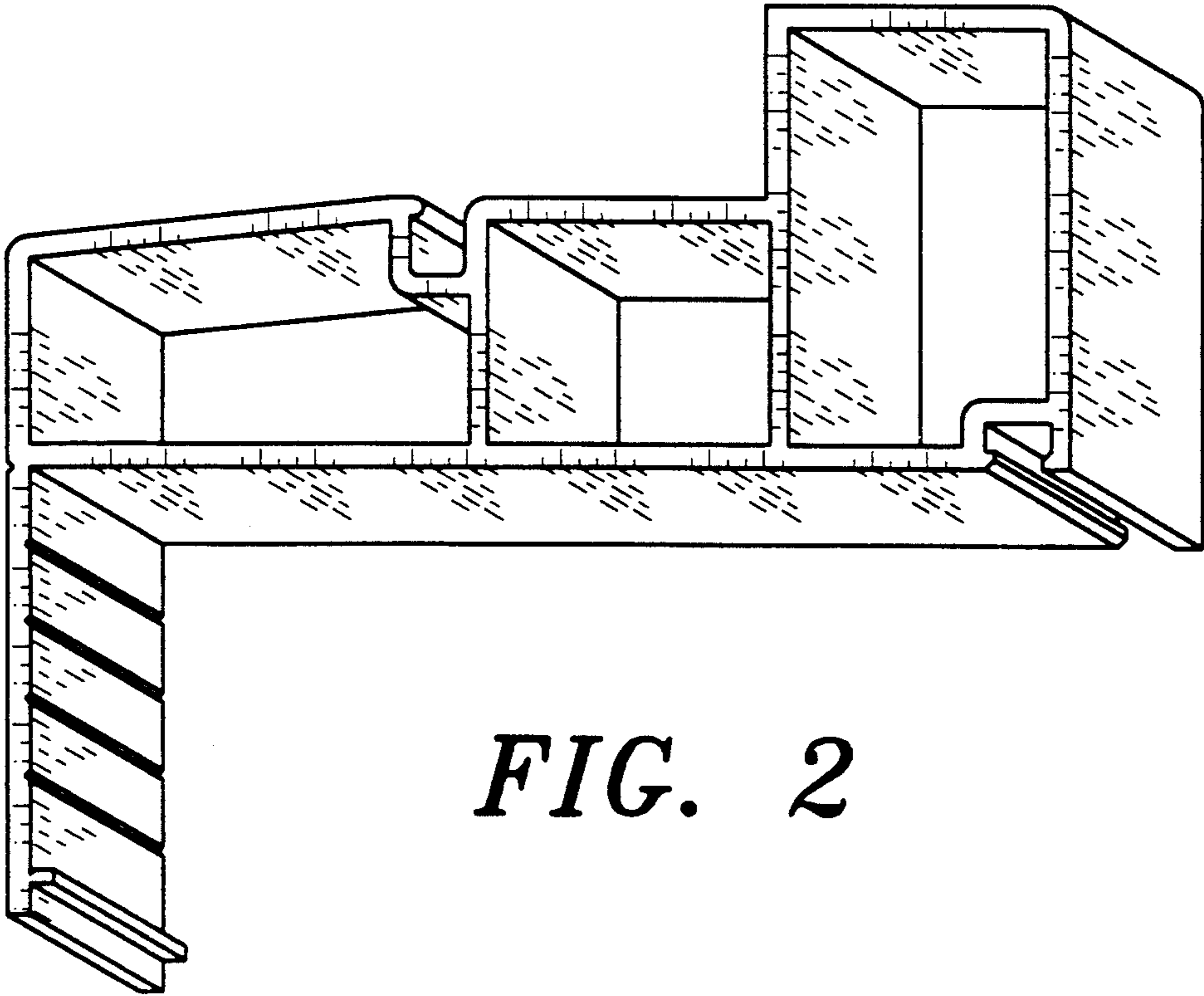


FIG. 2