



US00D343004S

United States Patent [19]

[11] Patent Number: **Des. 343,004**

Nelson

[45] Date of Patent: **** Jan. 4, 1994**

[54] REMOTE OPERATOR CONTROL MODULE

[75] Inventor: **Wilfred J. Nelson, Burnsville, Minn.**

[73] Assignee: **Tri-State Machinery Co.,
Minneapolis, Minn.**

[**] Term: **14 Years**

[21] Appl. No.: **4,621**

[22] Filed: **Feb. 9, 1993**

Related U.S. Application Data

[63] Continuation of Ser. No. 672,626, Mar. 20, 1991, abandoned.

[52] U.S. Cl. **D25/33; D15/30;
D25/4**

[58] Field of Search **D6/396; 52/22, 23, 29;
D25/14, 33, 35; D34/37**

[56] References Cited

U.S. PATENT DOCUMENTS

D. 197,766	3/1964	Roxburgh	D25/33
D. 241,333	9/1976	Wheeler	D25/16
D. 250,837	1/1979	Lahaie	D25/33
D. 261,040	9/1981	Chambers	D25/33
D. 270,860	10/1983	Turner	D15/30

OTHER PUBLICATIONS

Printed Publication by Electric Power Equipment Company of Commerce City, Colorado, entitled: "Trailer Mounted Motor Control Center" (3 pages) date 1985 or 1988, Country: U.S.A.

Company advertisement of EL-RUSS Aggregate Equipment of Calgary, Canada, Limited on "EL-RUSS Control Tower" date; unknown, Country: Canada.

Primary Examiner—Bernard Ansher
Assistant Examiner—Sandra Morris
Attorney, Agent, or Firm—Merchant, Gould, Smith, Edell, Welter & Schmidt

[57] CLAIM

The ornamental design for a remote operator control module, as shown and described.

DESCRIPTION

FIG. 1 is a front perspective view of a remote operator control module showing my new design; FIG. 2 is a front elevational view thereof; FIG. 3 is a rear elevational view thereof; FIG. 4 is a left side elevational view thereof, the right side elevational view being a mirror image of FIG. 4; FIG. 5 is a top plan view thereof; and, FIG. 6 is a bottom plan view thereof.

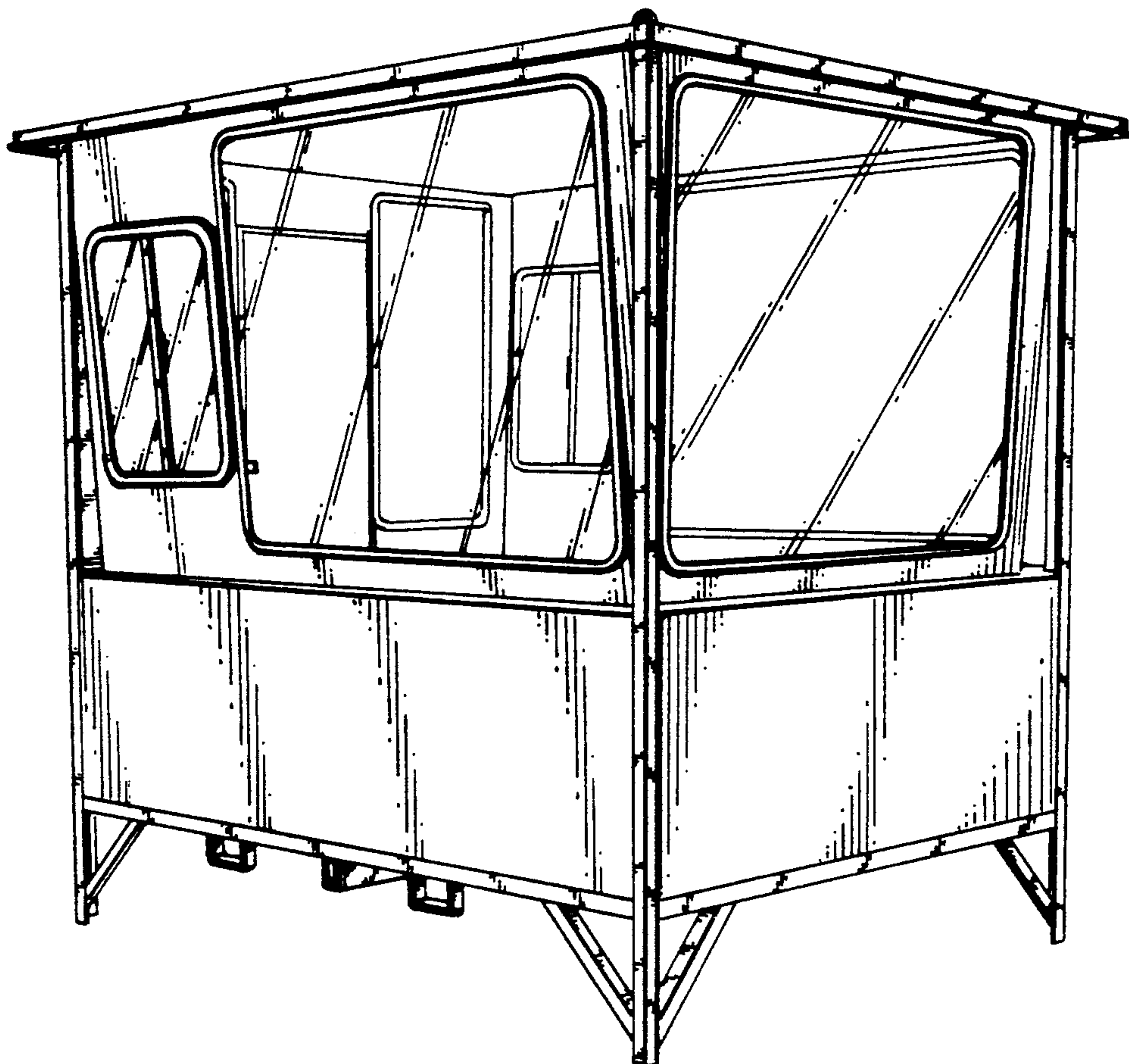


FIG. 1

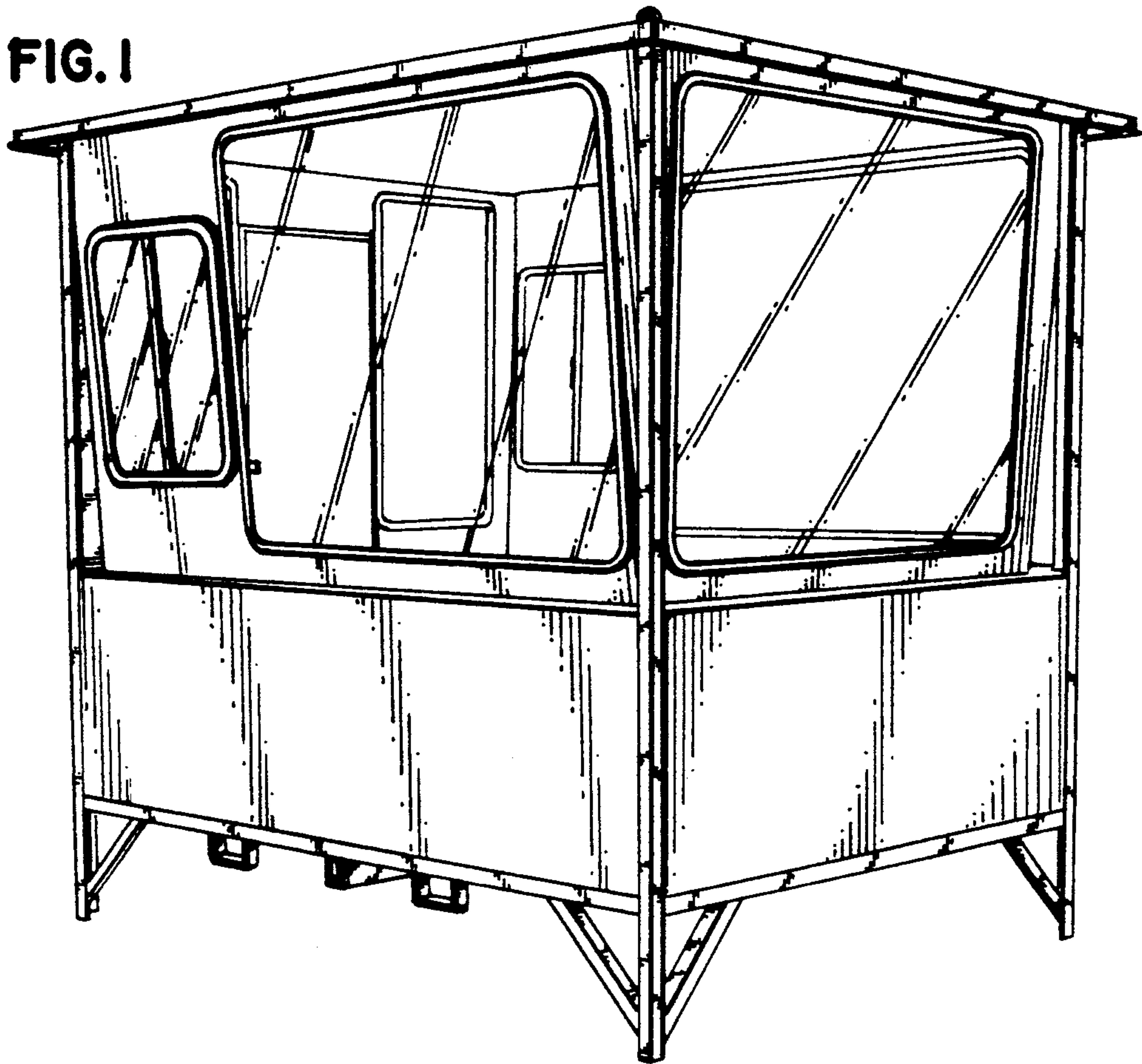


FIG. 2

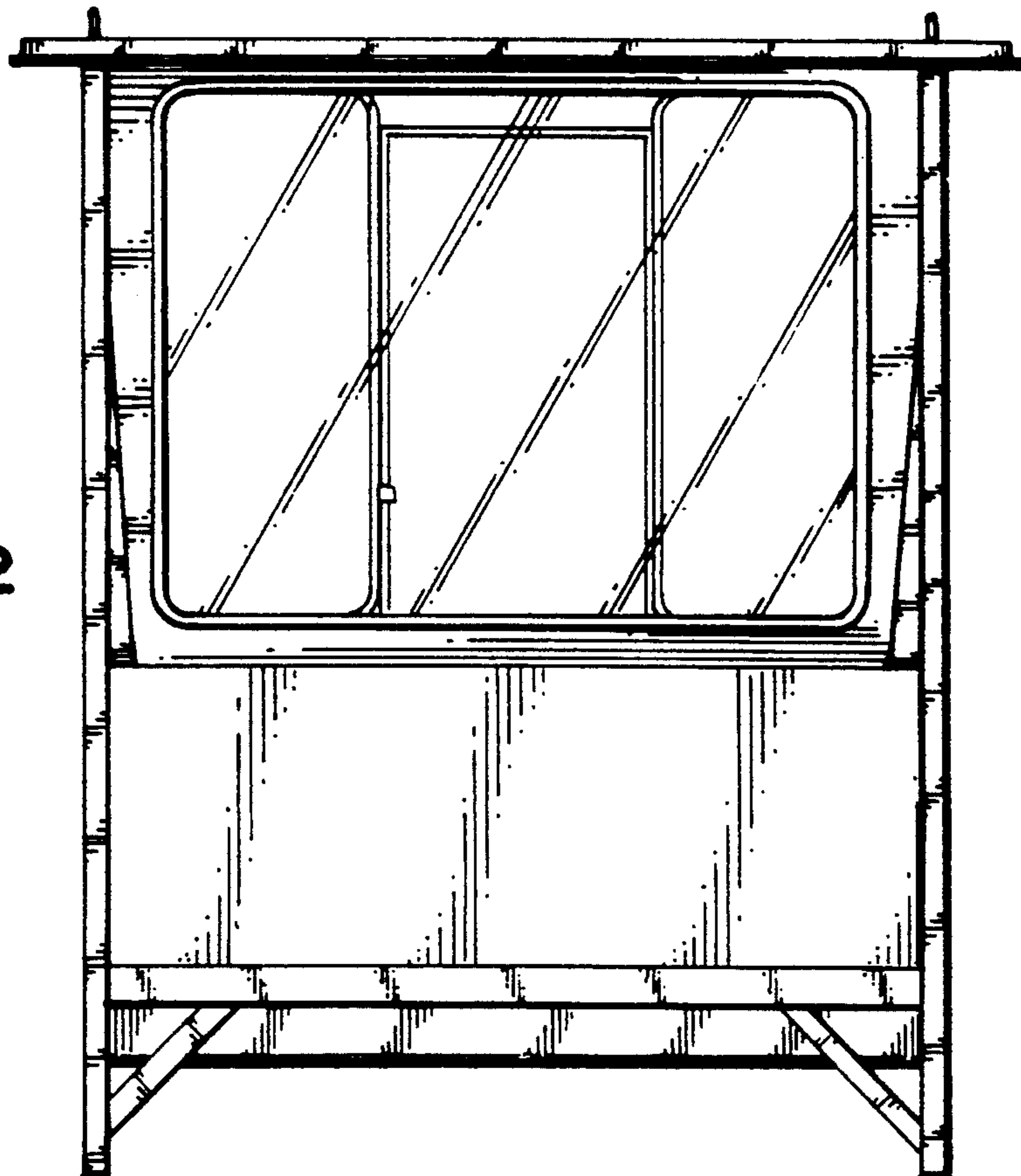


FIG. 3

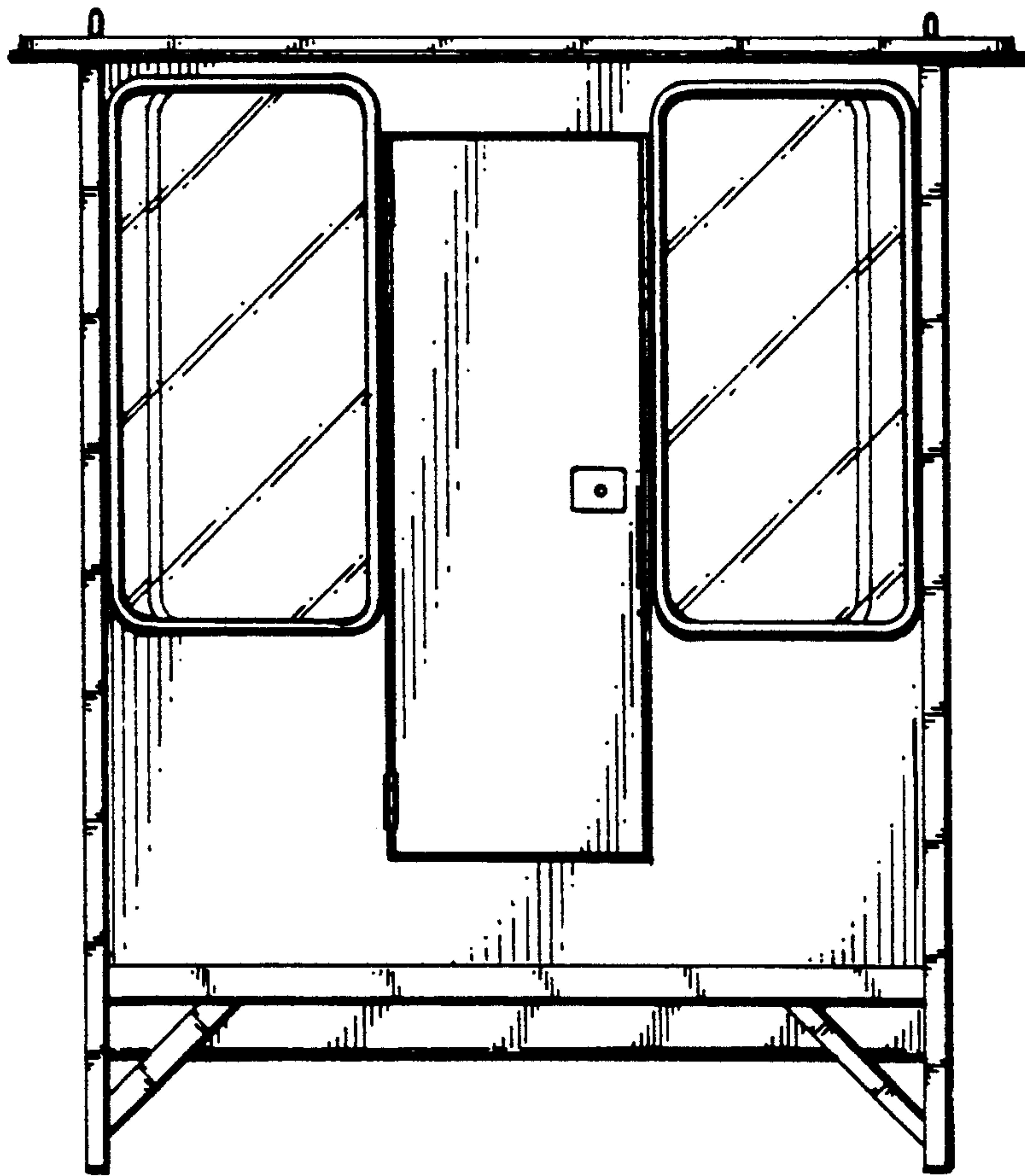
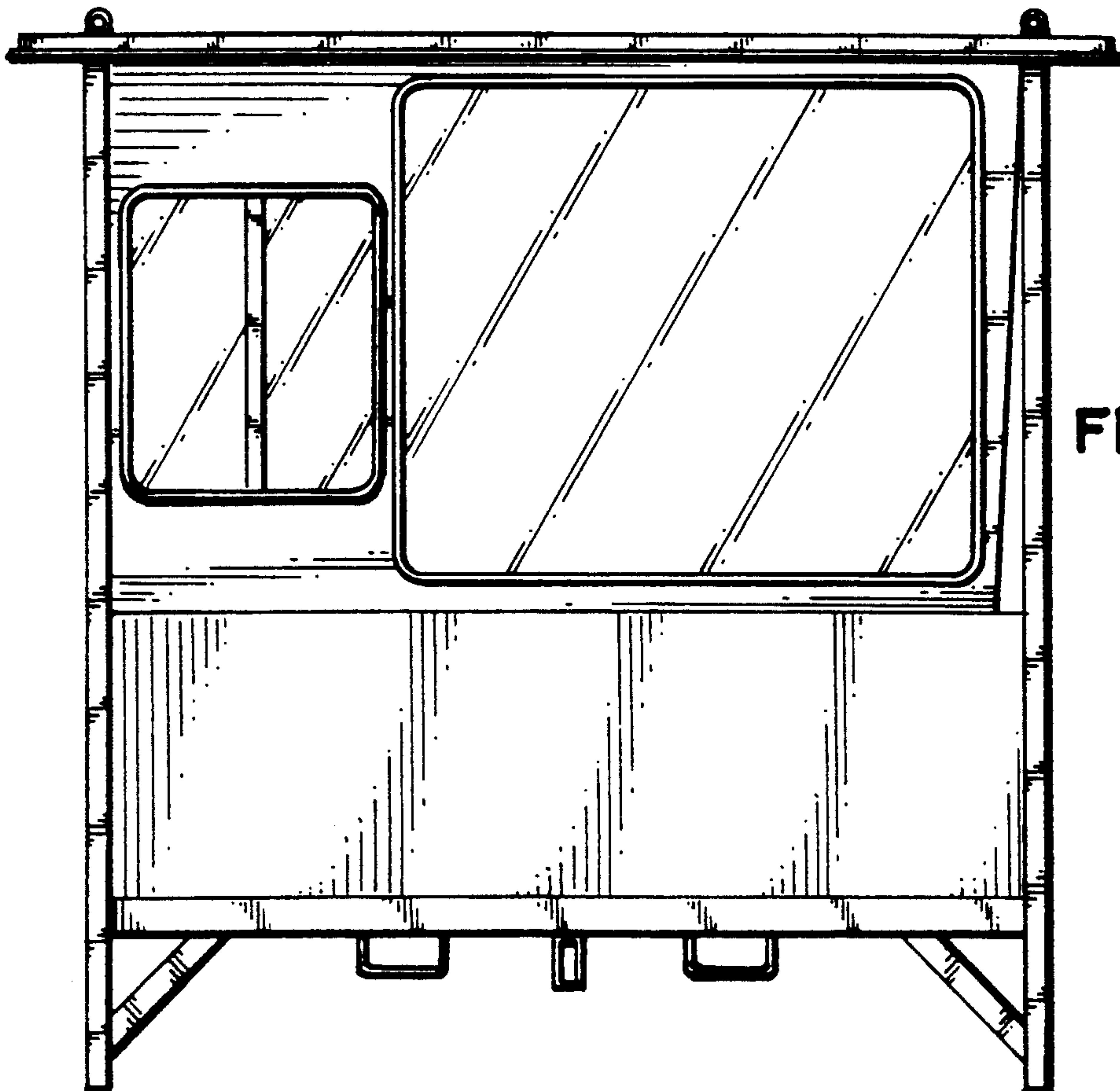


FIG. 4



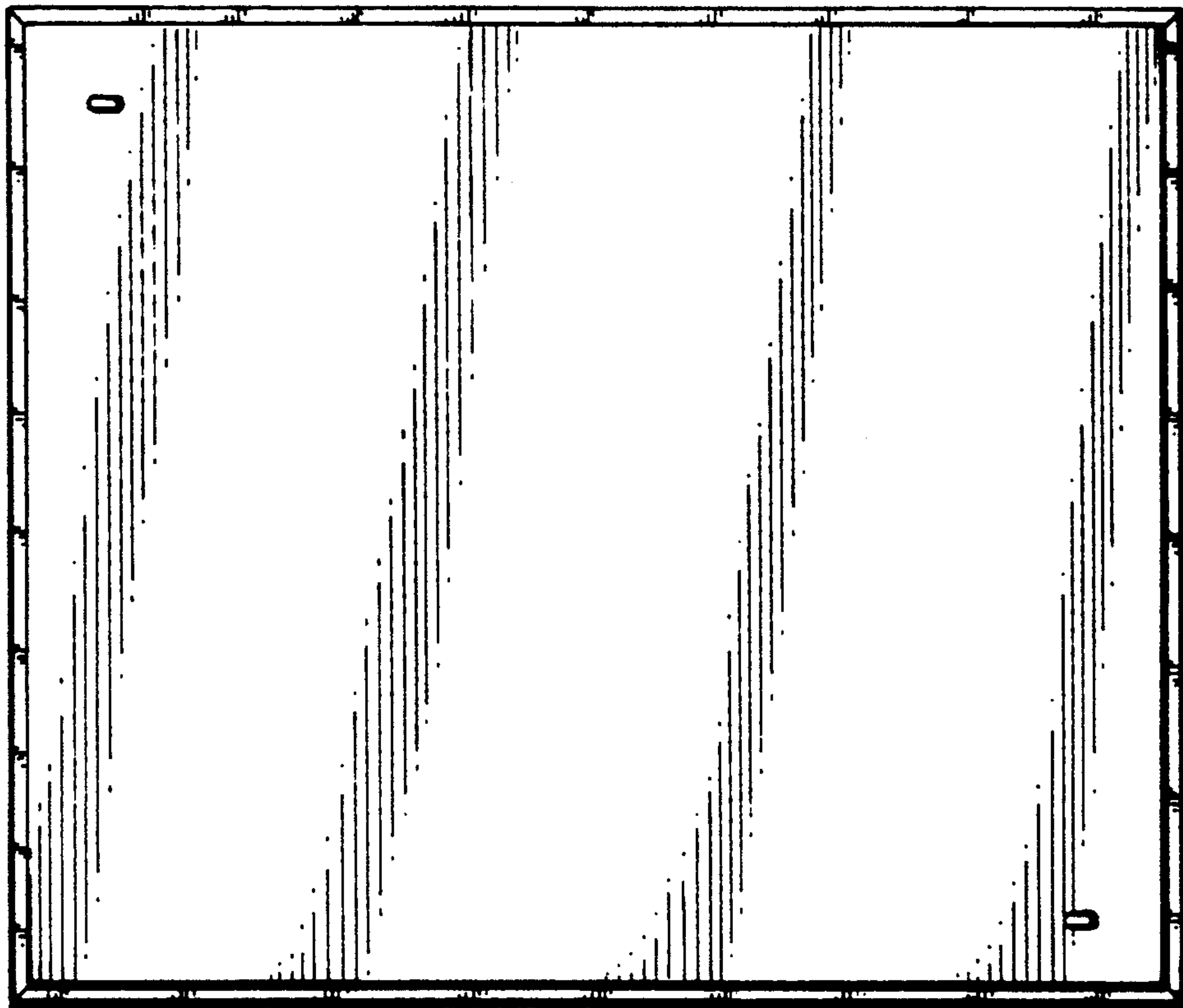


FIG. 5

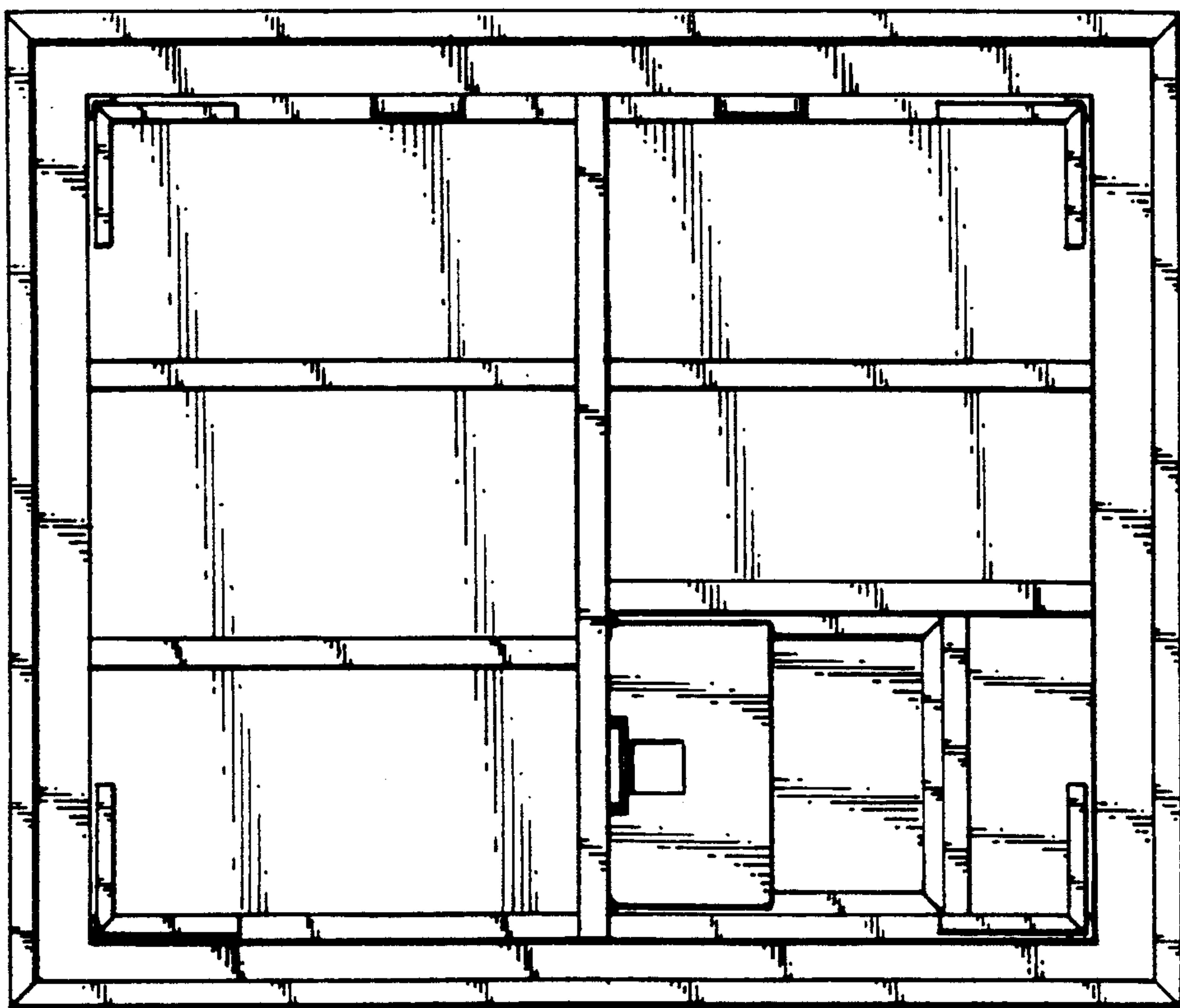


FIG. 6