



US00D343003S

United States Patent [19]

[11] Patent Number: **Des. 343,003**

Mechler et al.

[45] Date of Patent: **** Jan. 4, 1994**

[54] **PEDESTAL MOUNT INDUSTRIAL MIXERS**

[75] Inventors: **David O. Mechler**, Fairport; **Daniel J. Bentley**, Rochester; **James H. Karlin**, Fairport, all of N.Y.

[73] Assignee: **General Signal Corporation**, Rochester, N.Y.

[**] Term: **14 Years**

[21] Appl. No.: **736,894**

[22] Filed: **Jul. 26, 1991**

[52] U.S. Cl. **D24/220**

[58] Field of Search **D7/376, 378, 383, 386; 366/129, 241, 242, 244, 247, 248, 249, 250, 261, 262, 282; 416/231; AD24/220, 231, 232**

[56] **References Cited**

U.S. PATENT DOCUMENTS

D. 290,393	6/1987	Stevens et al.	D24/220
D. 290,394	6/1987	Stevens et al.	D24/220
D. 290,395	6/1987	Stevens et al.	D24/220
D. 322,322	12/1991	Markle et al.	D24/220

3,223,389	12/1965	Simmonds	366/282
3,297,309	1/1967	Adams	366/282 X
4,198,373	4/1986	Kropp et al.	366/282 X
4,422,771	12/1983	Earhart et al.	366/251
4,738,542	4/1988	Hung	366/244
5,094,547	3/1992	Engels et al.	366/282

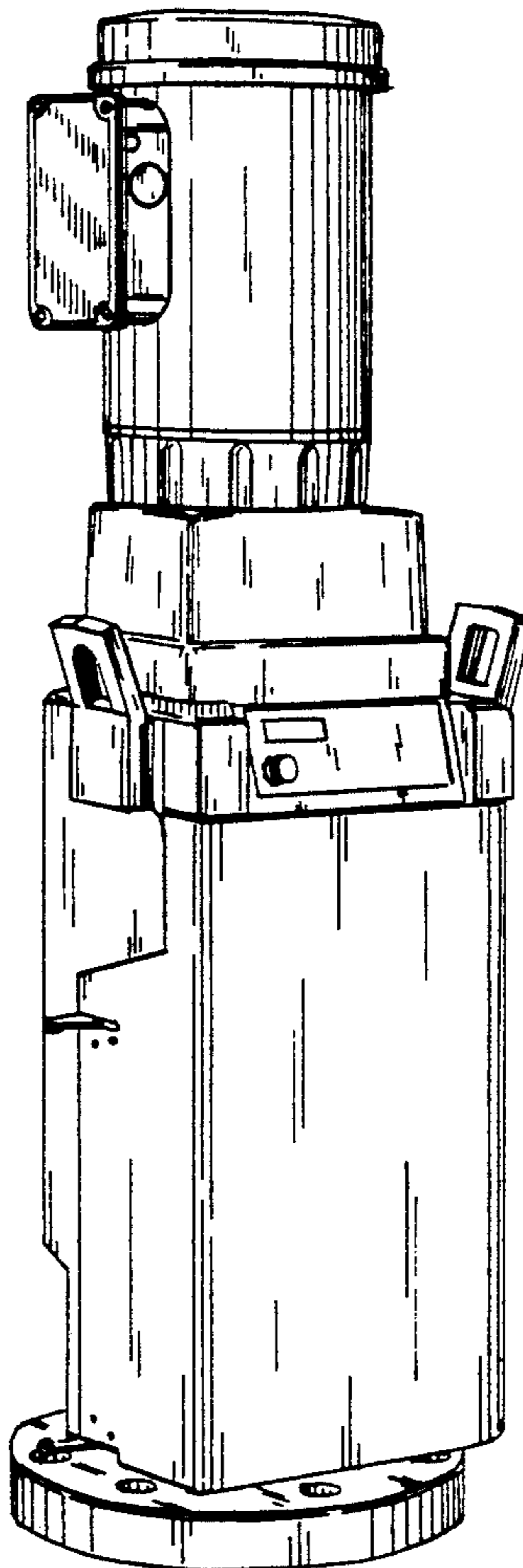
Primary Examiner—A. Hugo Word
Assistant Examiner—I. Simmons

[57] **CLAIM**

The ornamental design for a pedestal mount industrial mixers, as shown and described.

DESCRIPTION

FIG. 1 is a rear and left side perspective view of a pedestal mount industrial mixers showing our new design; FIGS. 2, 3, 4, and 5 are respectively right side, left side, front and rear elevational views thereof; FIGS. 6 and 7 are respectively top and bottom elevational views thereof; FIG. 8 is a rear and left side perspective view of a second embodiment thereof; and, FIG. 9 is a front and right side perspective view of a third embodiment thereof.



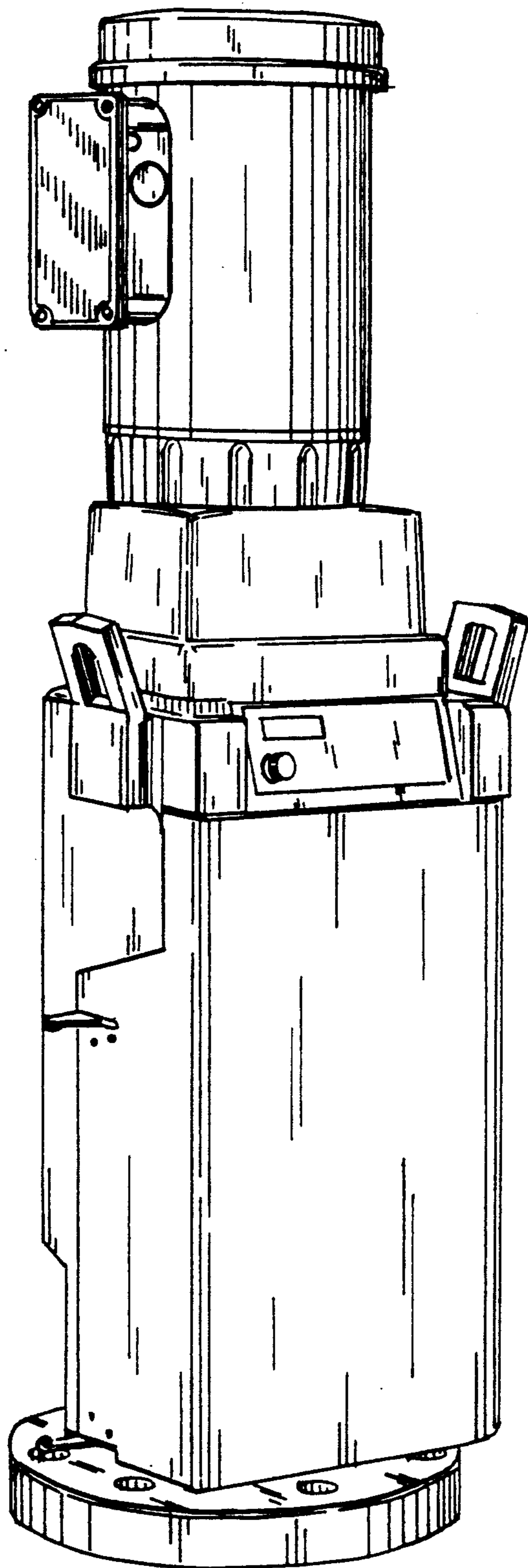


FIG. 1.

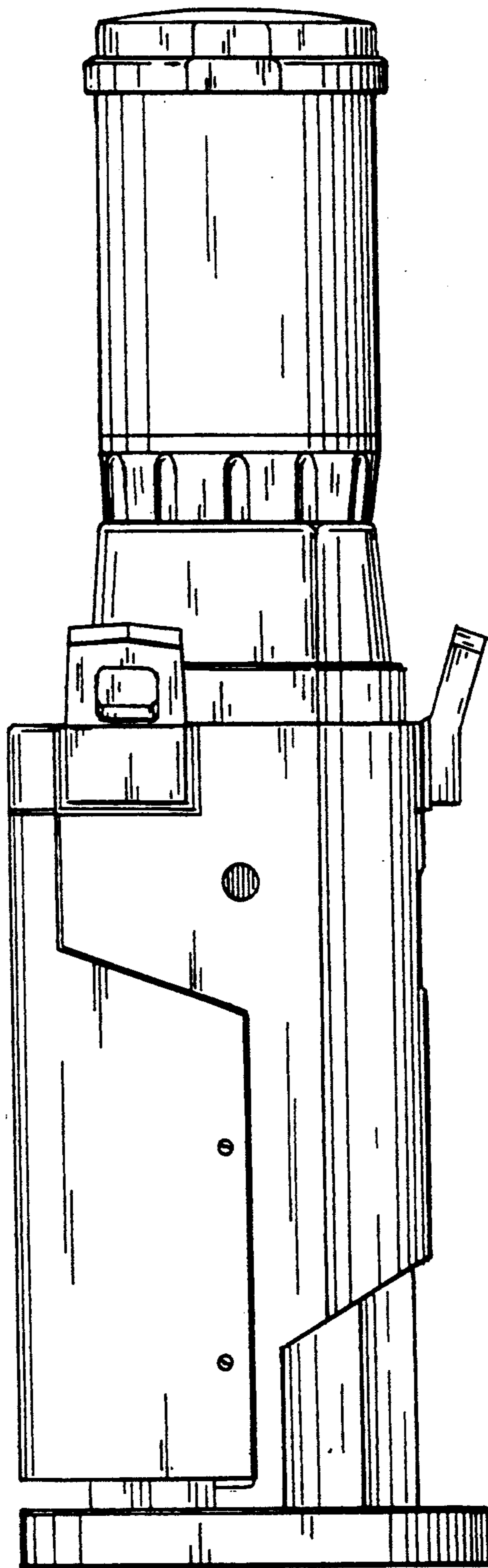


FIG. 2

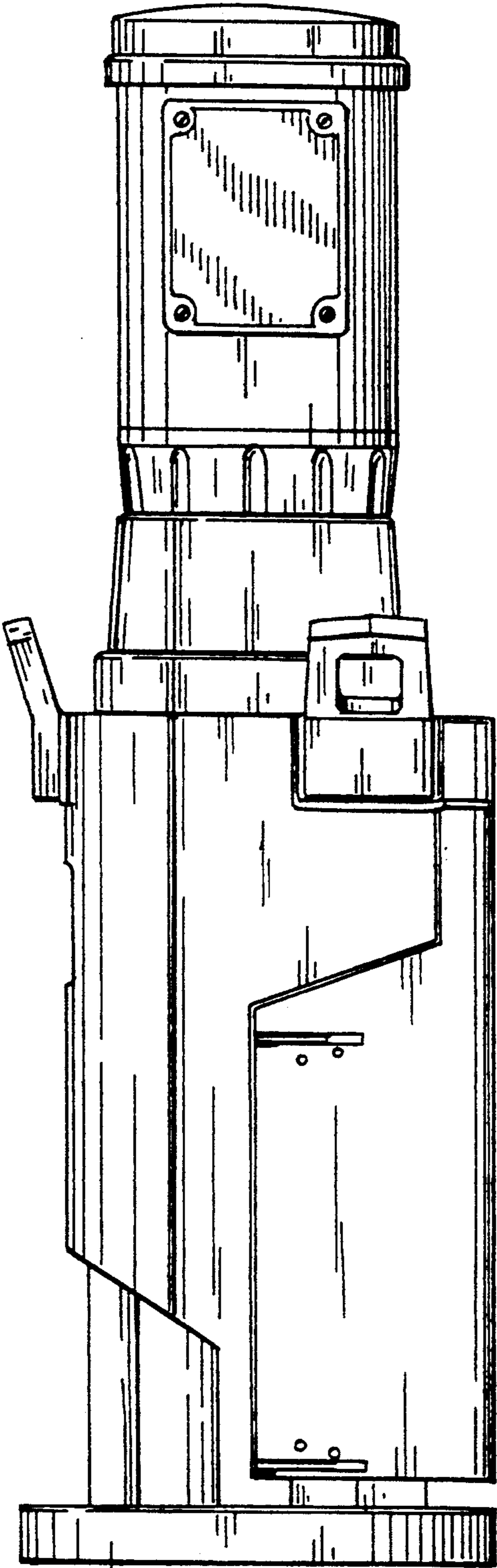


FIG. 3

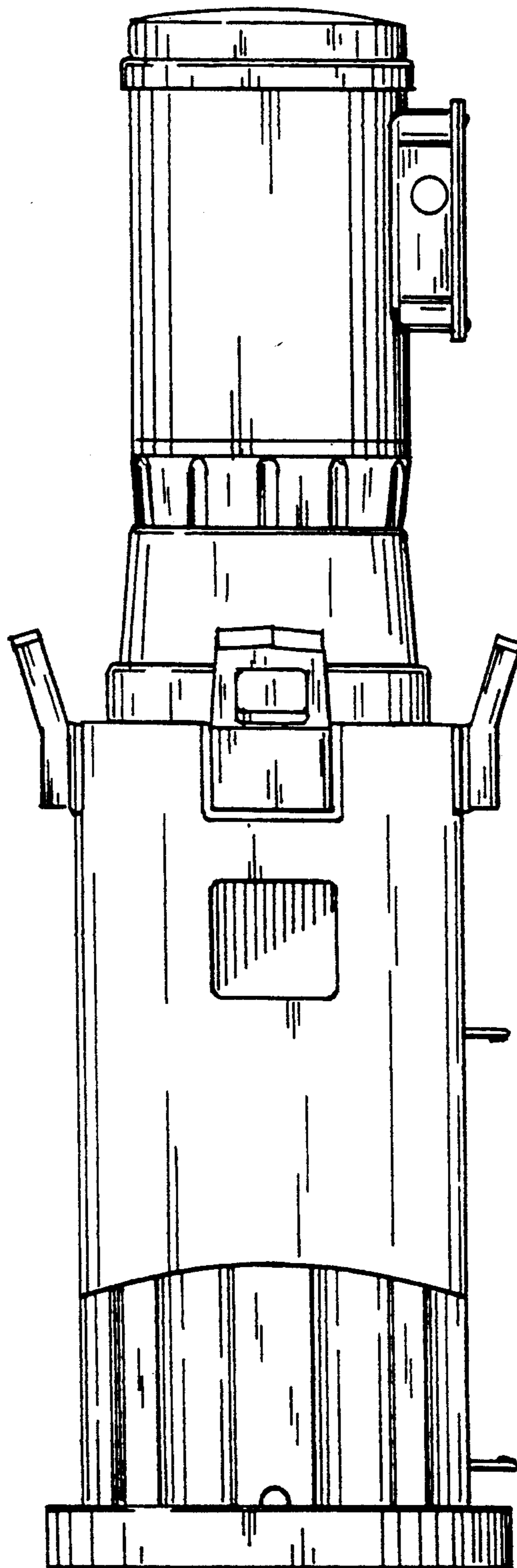


FIG. 4

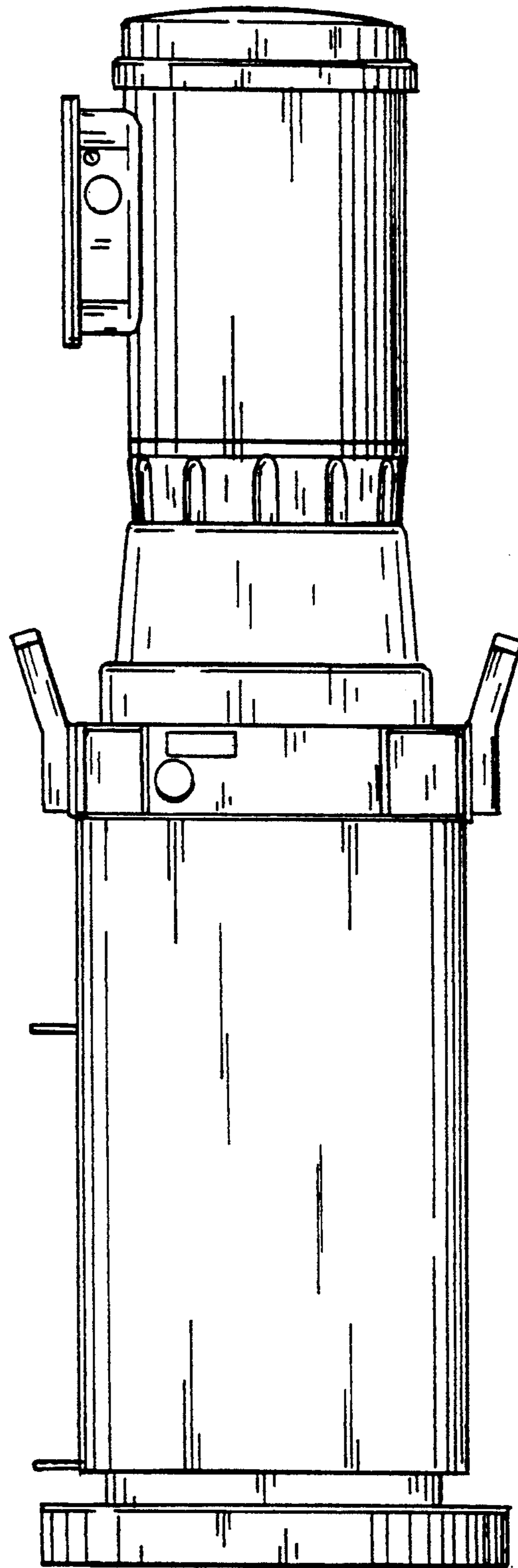


FIG. 5

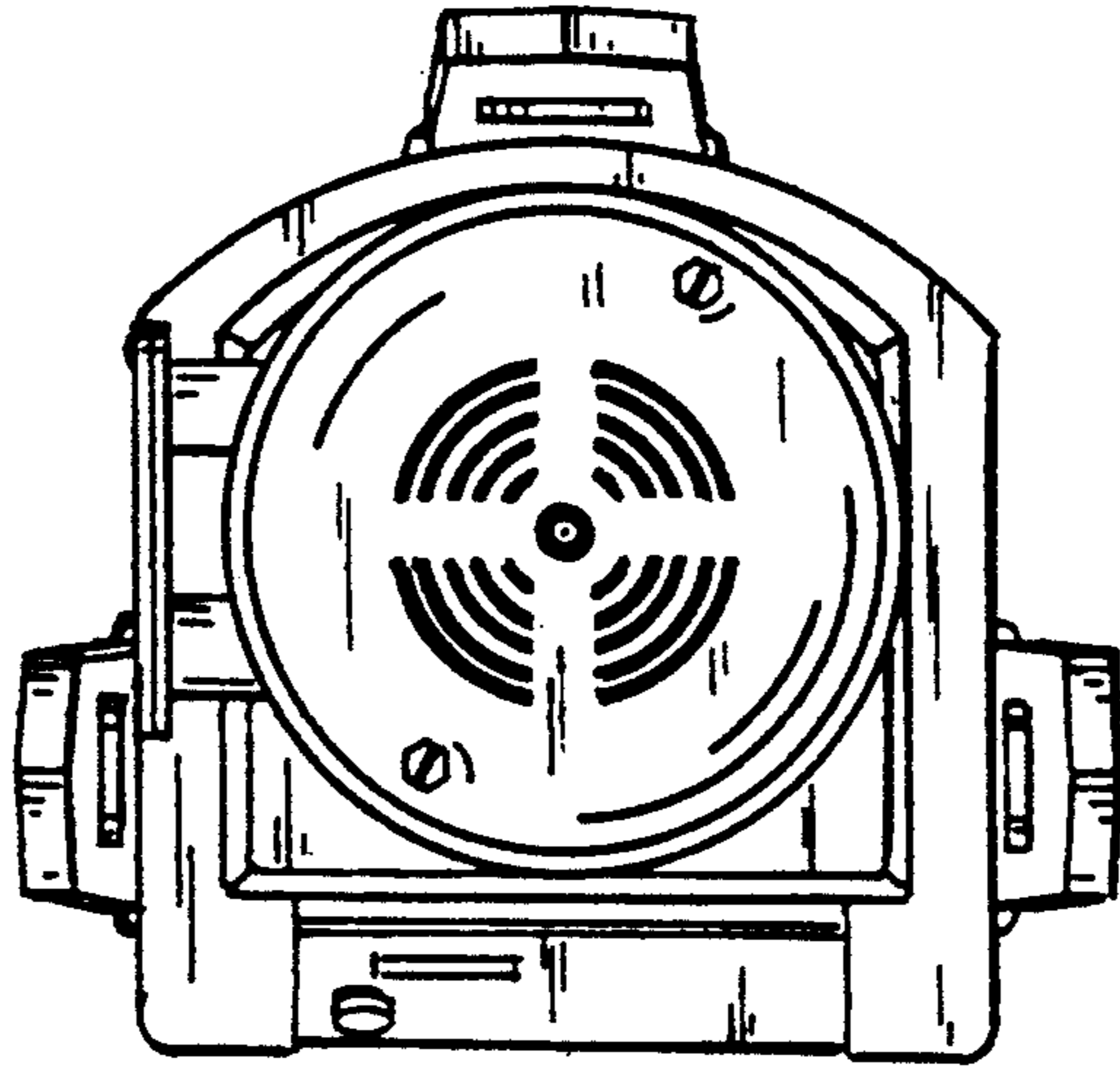


FIG. 6

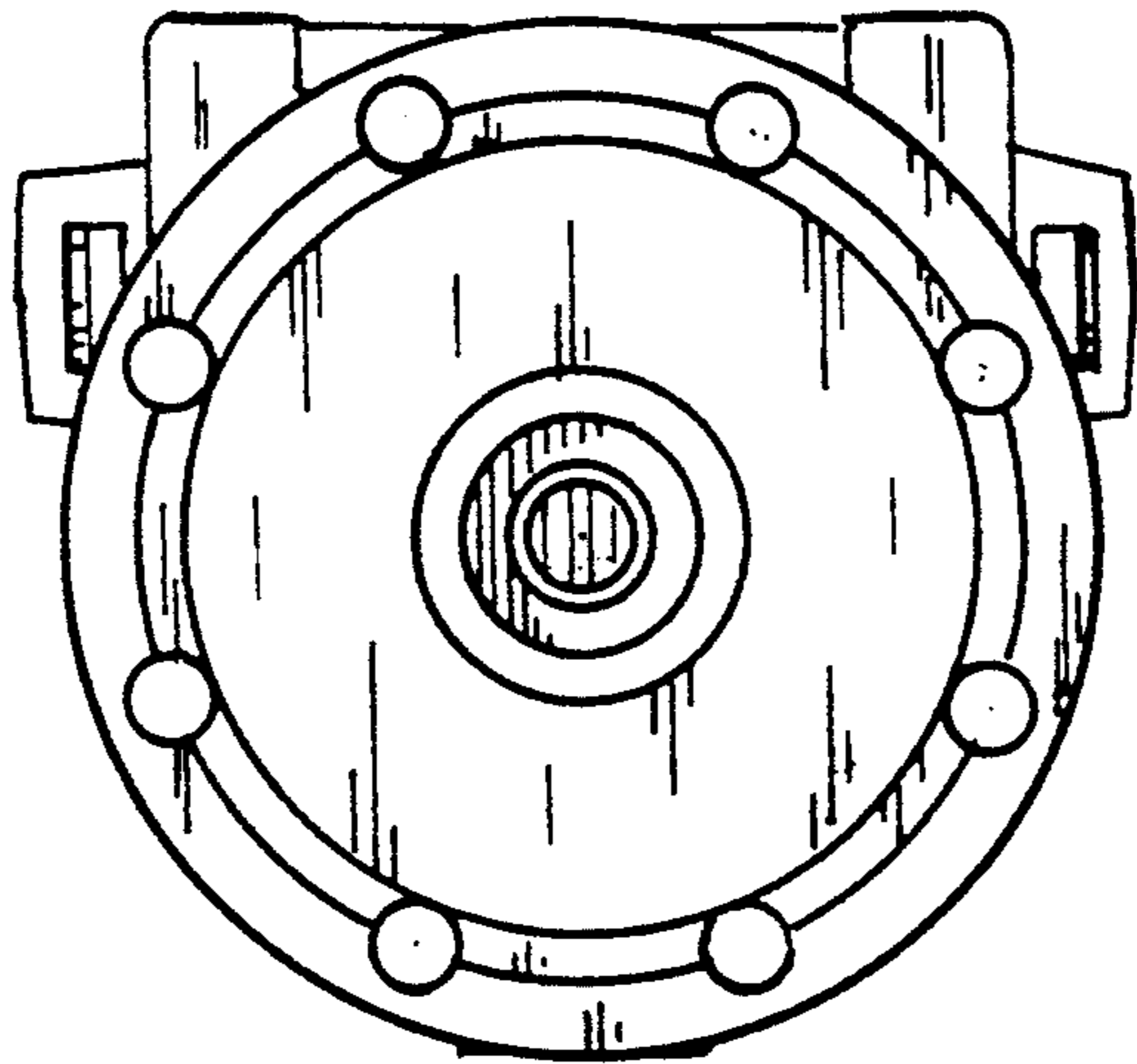


FIG. 7

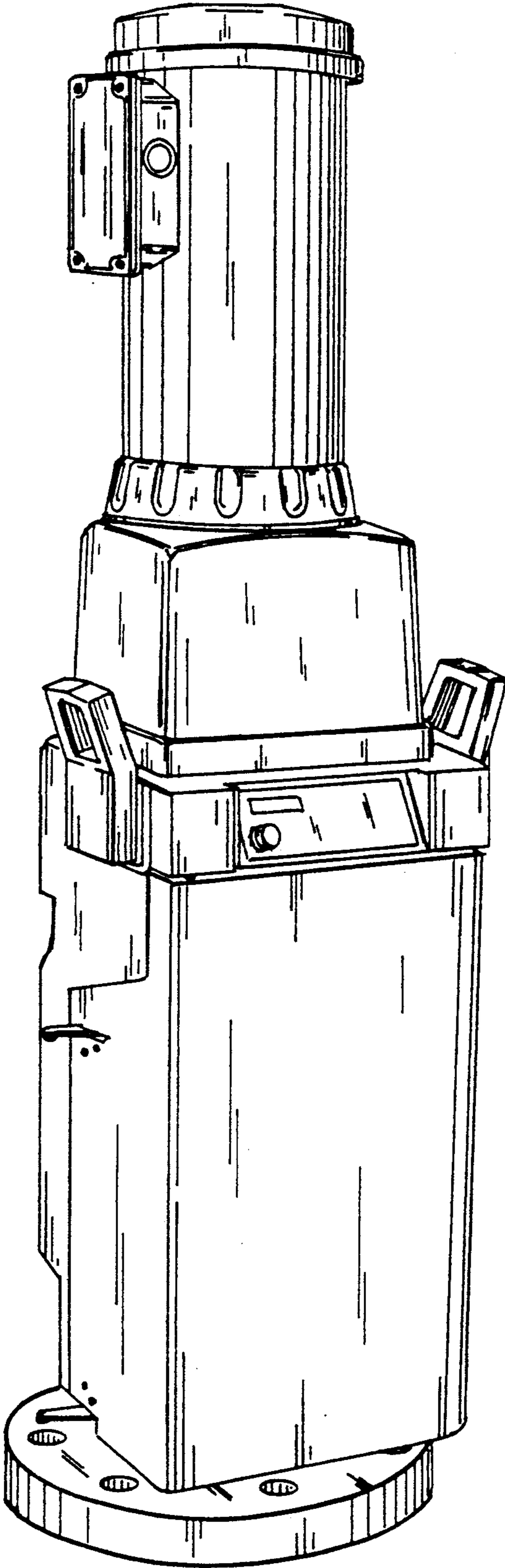


FIG. 8

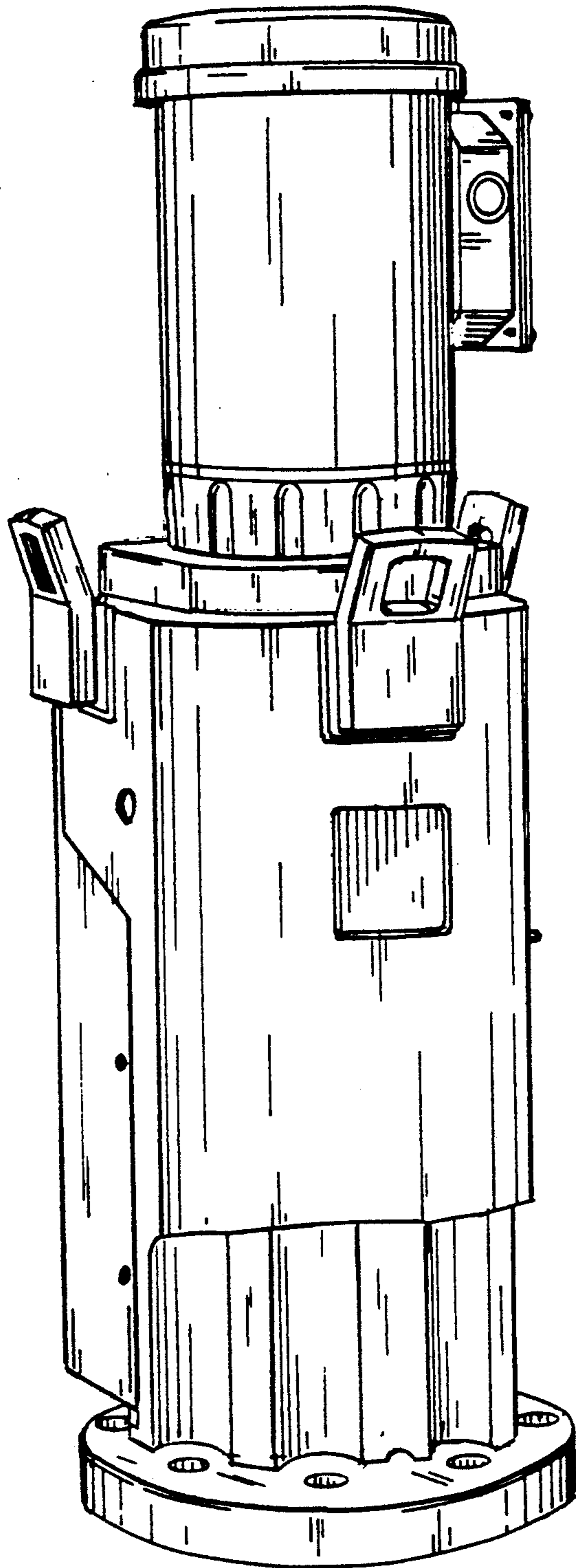


FIG. 9