



US00D343001S

**United States Patent** [19]  
**Boland**

[11] **Patent Number: Des. 343,001**  
[45] **Date of Patent: \*\* Jan. 4, 1994**

[54] **SPINE TREATMENT CUSHION**  
[76] **Inventor: Kevin O. Boland, 7758 Wisconsin Ave., Ste. 507, Bethesda, Md. 20816**  
[\*\*] **Term: 14 Years**  
[21] **Appl. No.: 731,023**  
[22] **Filed: Jul. 16, 1991**  
[52] **U.S. Cl. .... D24/183**  
[58] **Field of Search ..... D6/595, 596, 601; 5/448, 648, 651, 652, 657; 128/716; 297/445; D24/171, 183, 188**

4,910,818 3/1990 Grabill et al. .... 5/648 X  
5,097,553 3/1992 Boland ..... 5/648

*Primary Examiner*—A. Hugo Word  
*Assistant Examiner*—I. Simmons  
*Attorney, Agent, or Firm*—Patrick J. Coyne; Kenneth M. Massaroni

[57] **CLAIM**

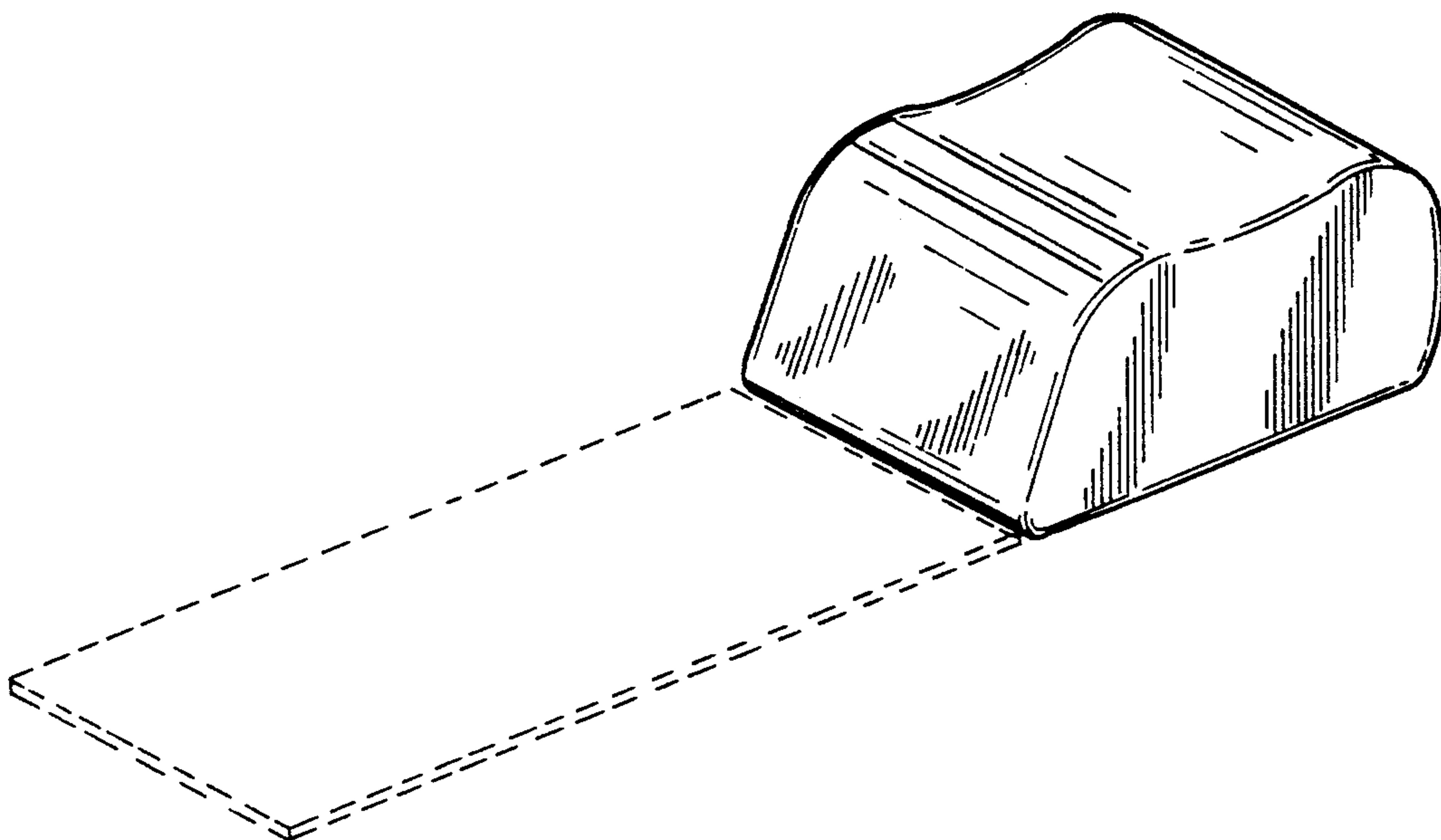
The ornamental design for a spine treatment cushion, as shown and described.

**DESCRIPTION**

FIG. 1 is a perspective view of a spine treatment cushion showing my new design, the broken line showing the back pad is for illustrative purposes only and forms no part of the claimed design;  
FIG. 2 is a side view, the opposite side view being identical;  
FIG. 3 is a view of one end;  
FIG. 4 is an end view opposite that shown in FIG. 3;  
FIG. 5 is a top plan view; and,  
FIG. 6 is a bottom view.

[56] **References Cited**  
**U.S. PATENT DOCUMENTS**

- D. 242,388 11/1976 Castleburry ..... D24/183
- D. 282,803 3/1986 Righini ..... D24/183
- D. 318,392 7/1991 Edelson ..... D6/596 X
- D. 319,365 8/1991 Edelson ..... D6/596 X
- 4,502,170 3/1985 Morrow ..... 5/648 X
- 4,635,306 1/1987 Willey ..... 5/648 X
- 4,821,355 3/1989 Burkhardt ..... D24/180



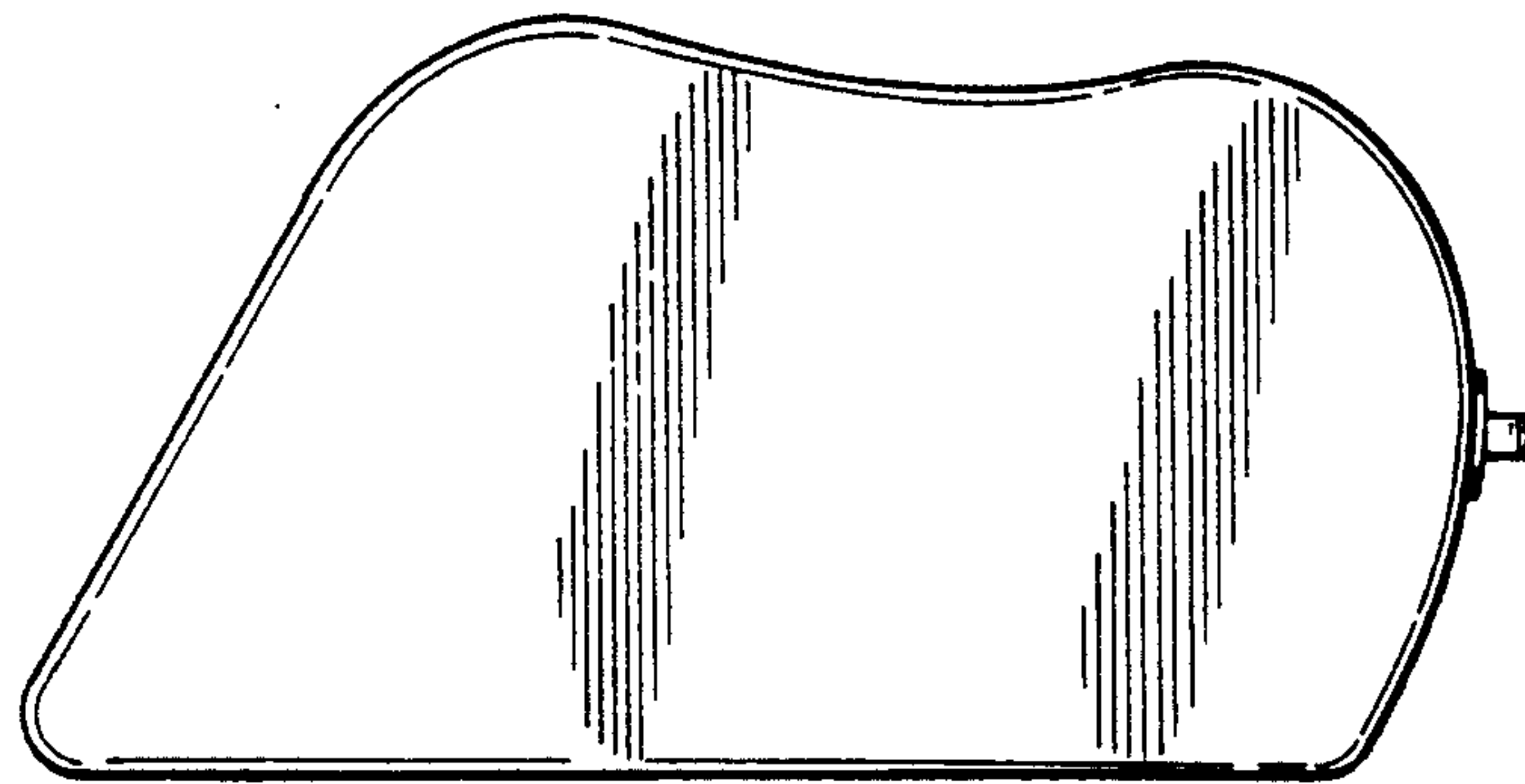
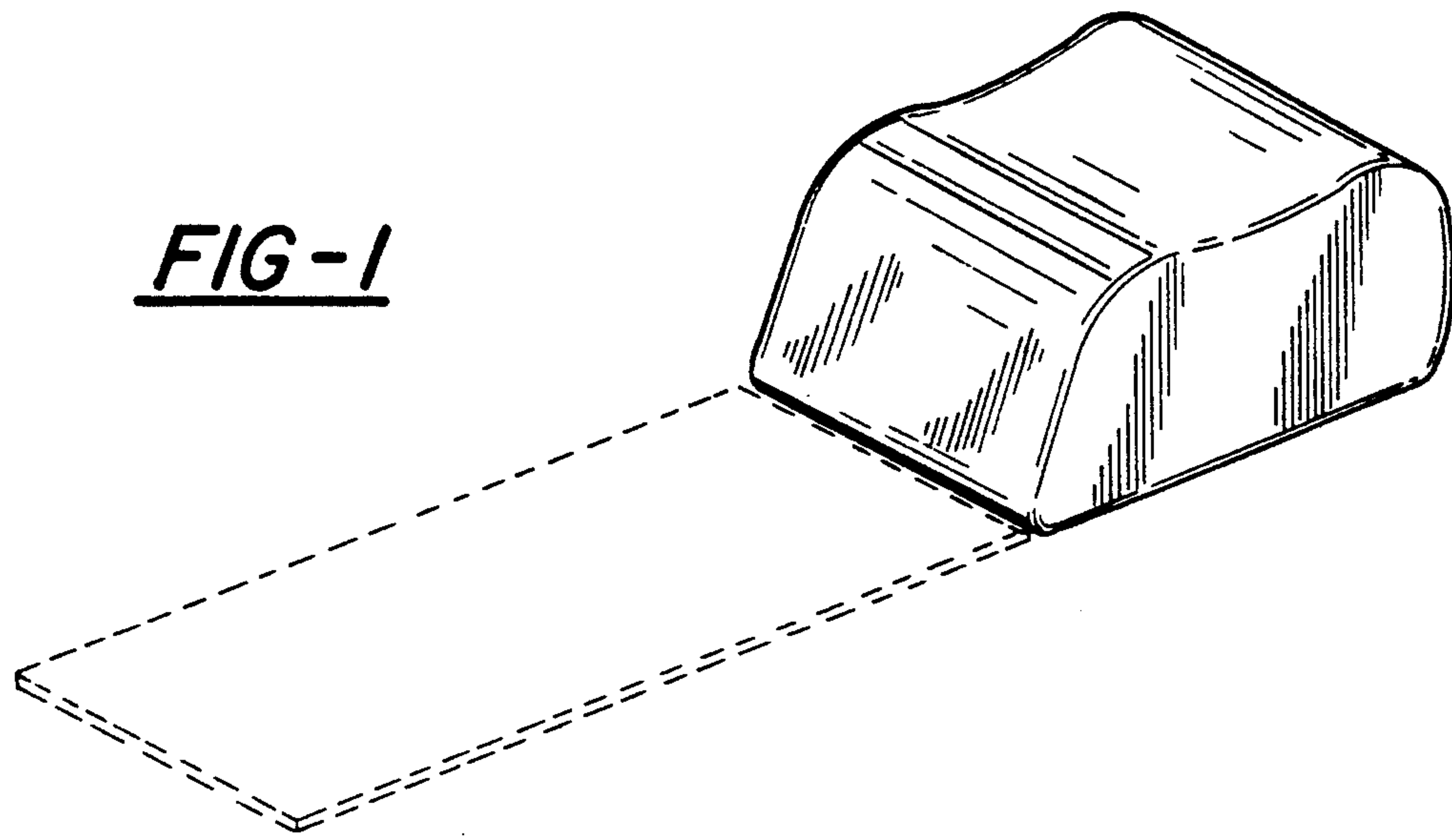


FIG-2

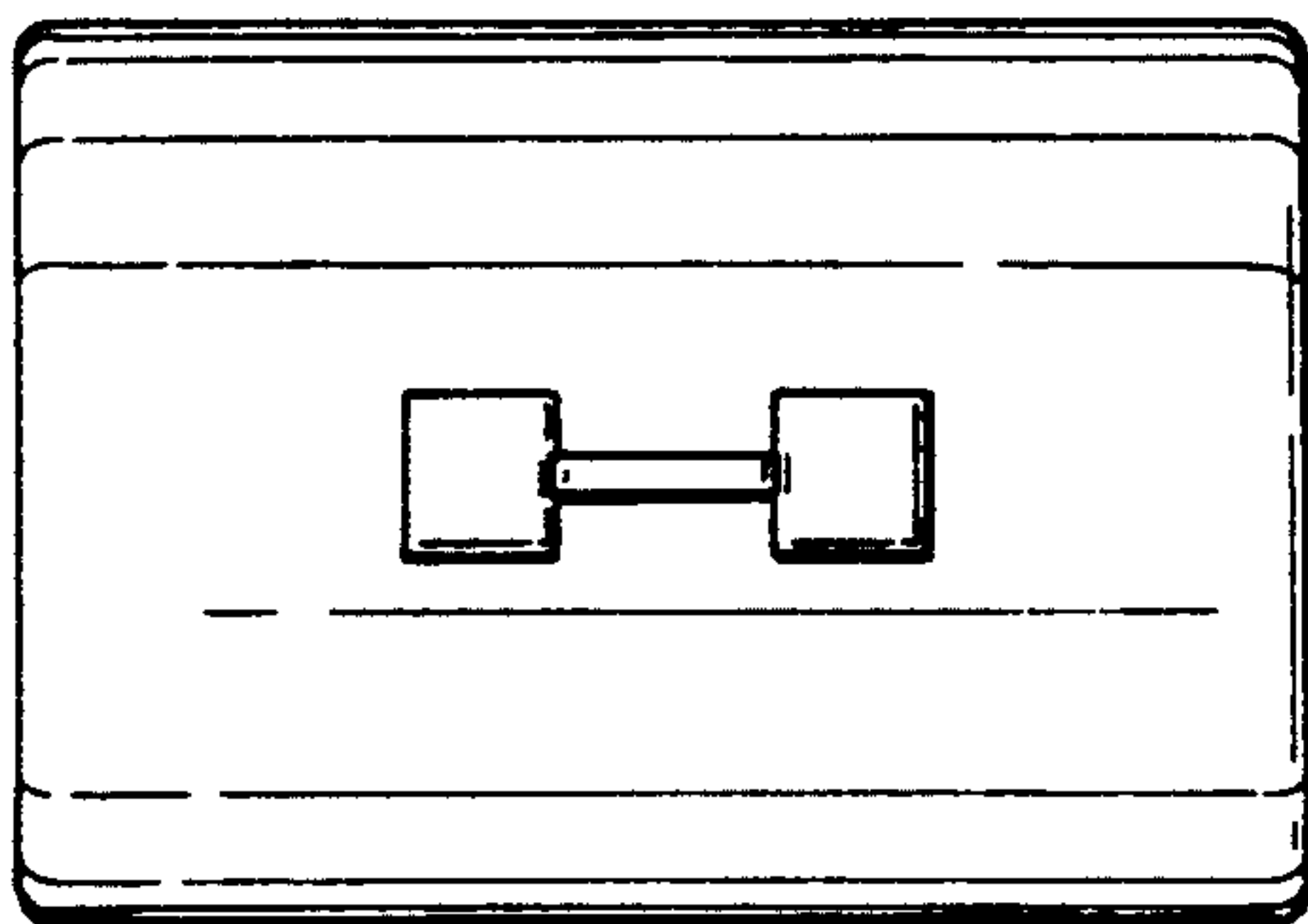


FIG-3

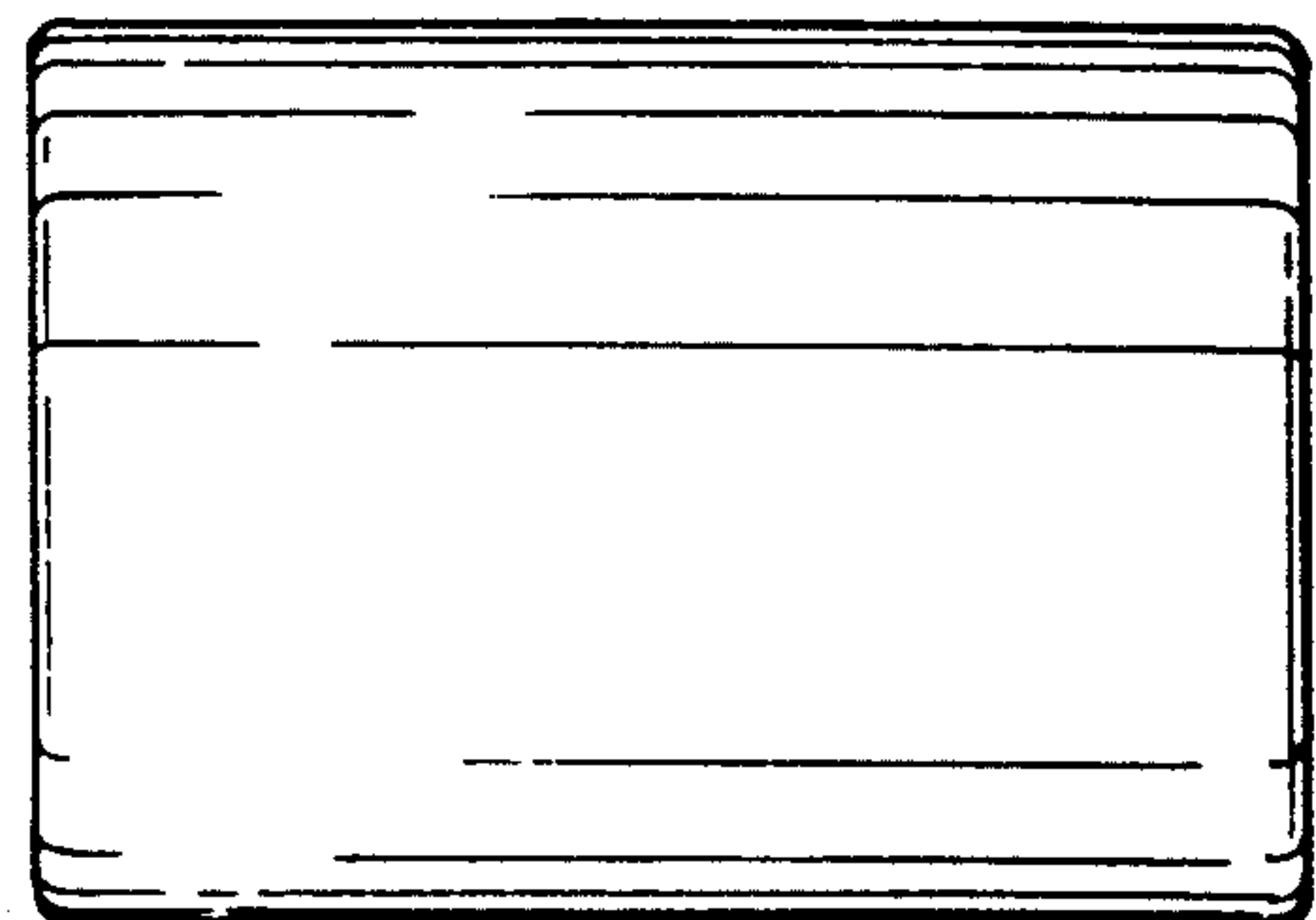


FIG-4

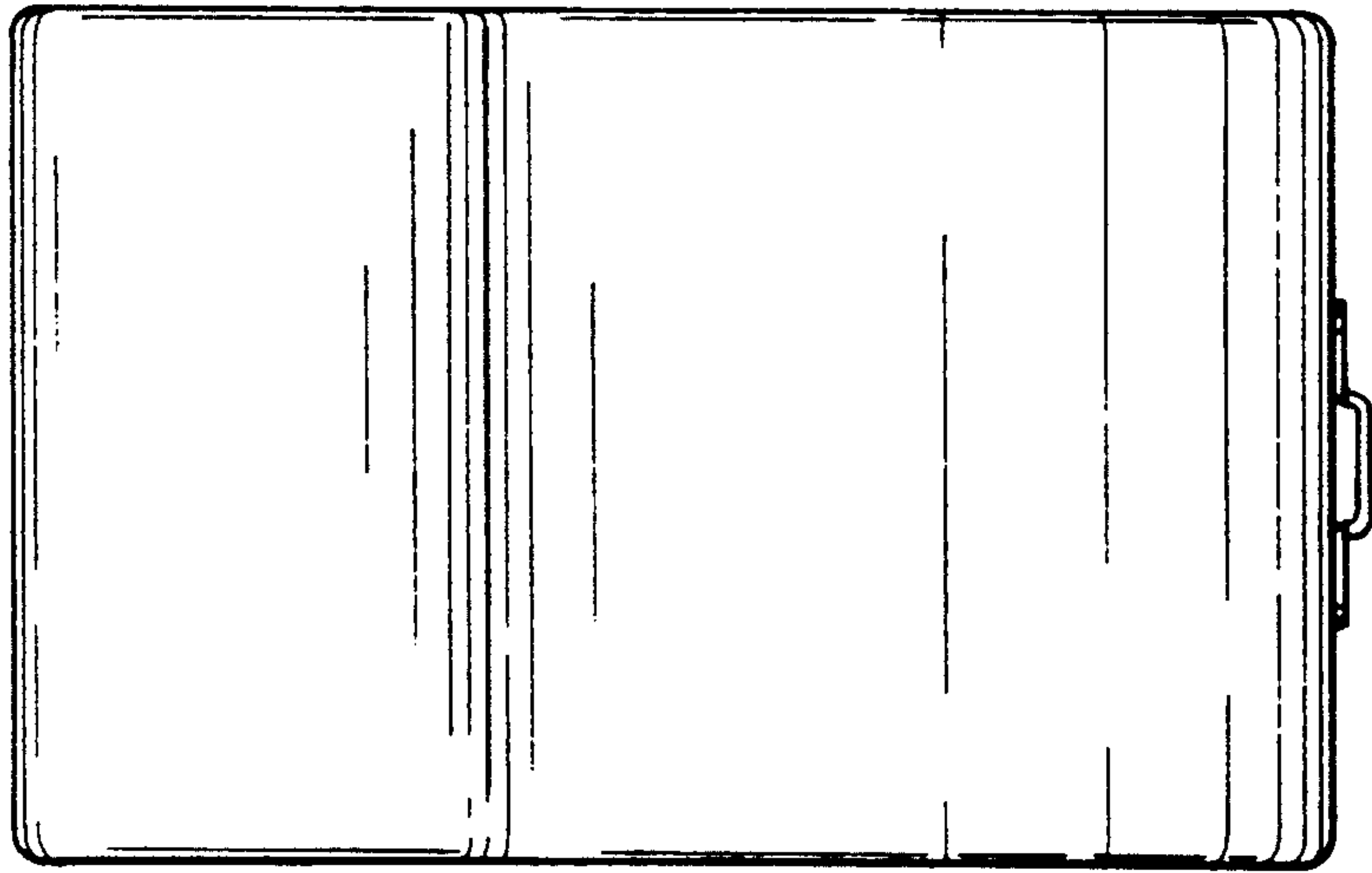


FIG-5

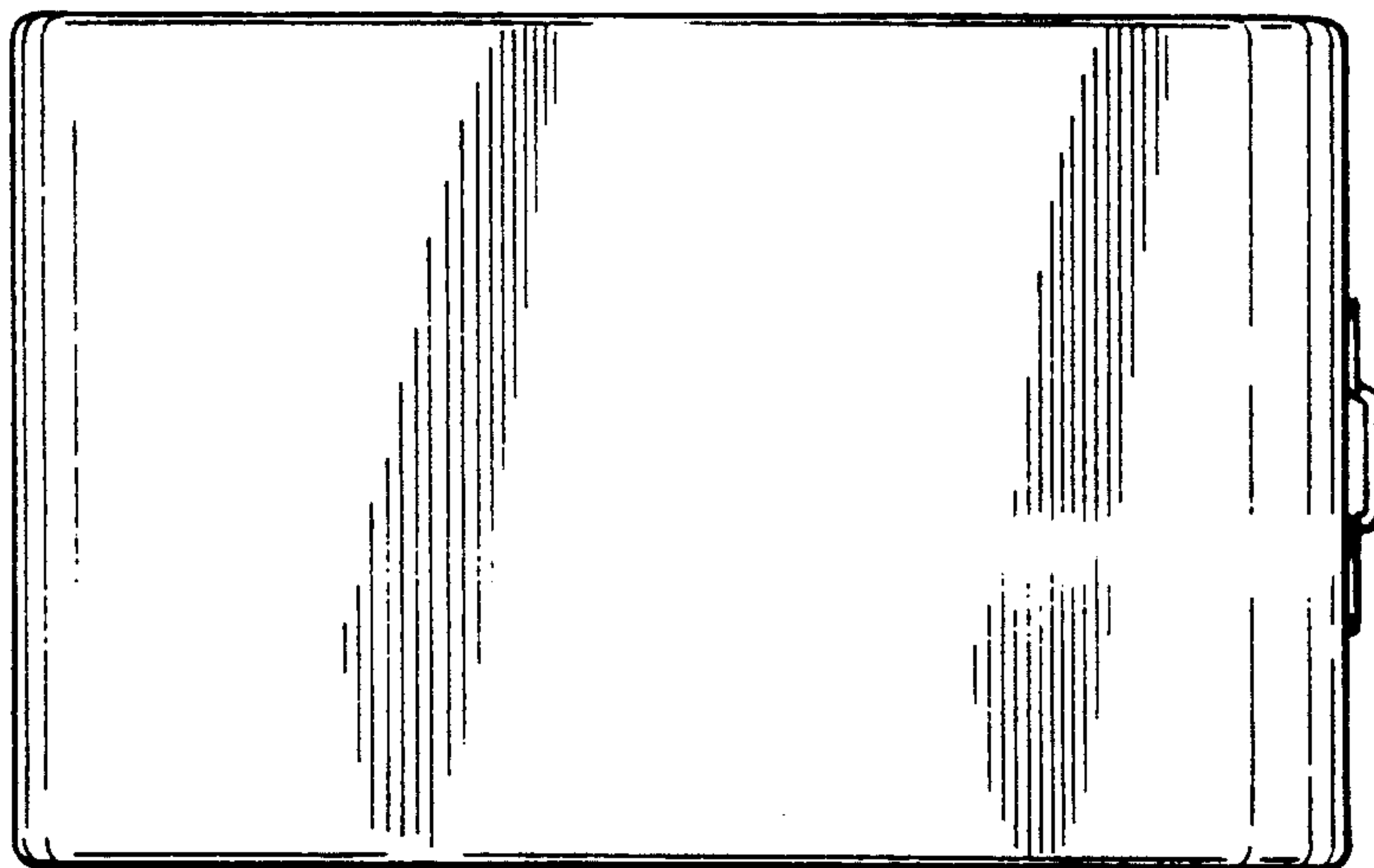


FIG-6