



US00D342998S

United States Patent [19]

[11] Patent Number: **Des. 342,998**

Krug et al.

[45] Date of Patent: **** Jan. 4, 1994**

[54] ILLUMINATED TONGUE DEPRESSOR HANDLE

[76] Inventors: **John A. Krug**, 2689 N. Galley St., Orange, Calif. 92665; **Romeo S. Ortiz**; **Marylin R. Ortiz**, both of 1004 Vine St., Paso Robles, Calif. 93446

[**] Term: **14 Years**

[21] Appl. No.: **729,819**

[22] Filed: **Jul. 15, 1991**

[52] U.S. Cl. **D24/136**

[58] Field of Search 128/15, 16, 14; D24/136; D26/37; D28/57

[56] References Cited

U.S. PATENT DOCUMENTS

D. 143,662	9/1945	Korengold	D24/136
D. 215,984	11/1969	Fattori et al.	D24/136
D. 225,784	1/1973	Edinger	D24/136
D. 305,797	1/1990	Robinson et al.	D24/136
1,932,473	11/1933	Morgan et al.	128/16
2,885,537	5/1959	Wood, Jr.	128/16 X
4,807,599	2/1989	Robinson et al.	D24/136 X

Primary Examiner—A. Hugo Word

Assistant Examiner—I. Simmons

[57] CLAIM

The ornamental design for an illuminated tongue depressor handle, as shown and described.

DESCRIPTION

FIG. 1 is a perspective view of an illuminated tongue depressor handle showing our new design, the broken line showing of a standard tongue depressor is for illustrative purposes only and forms no part of the claimed design;

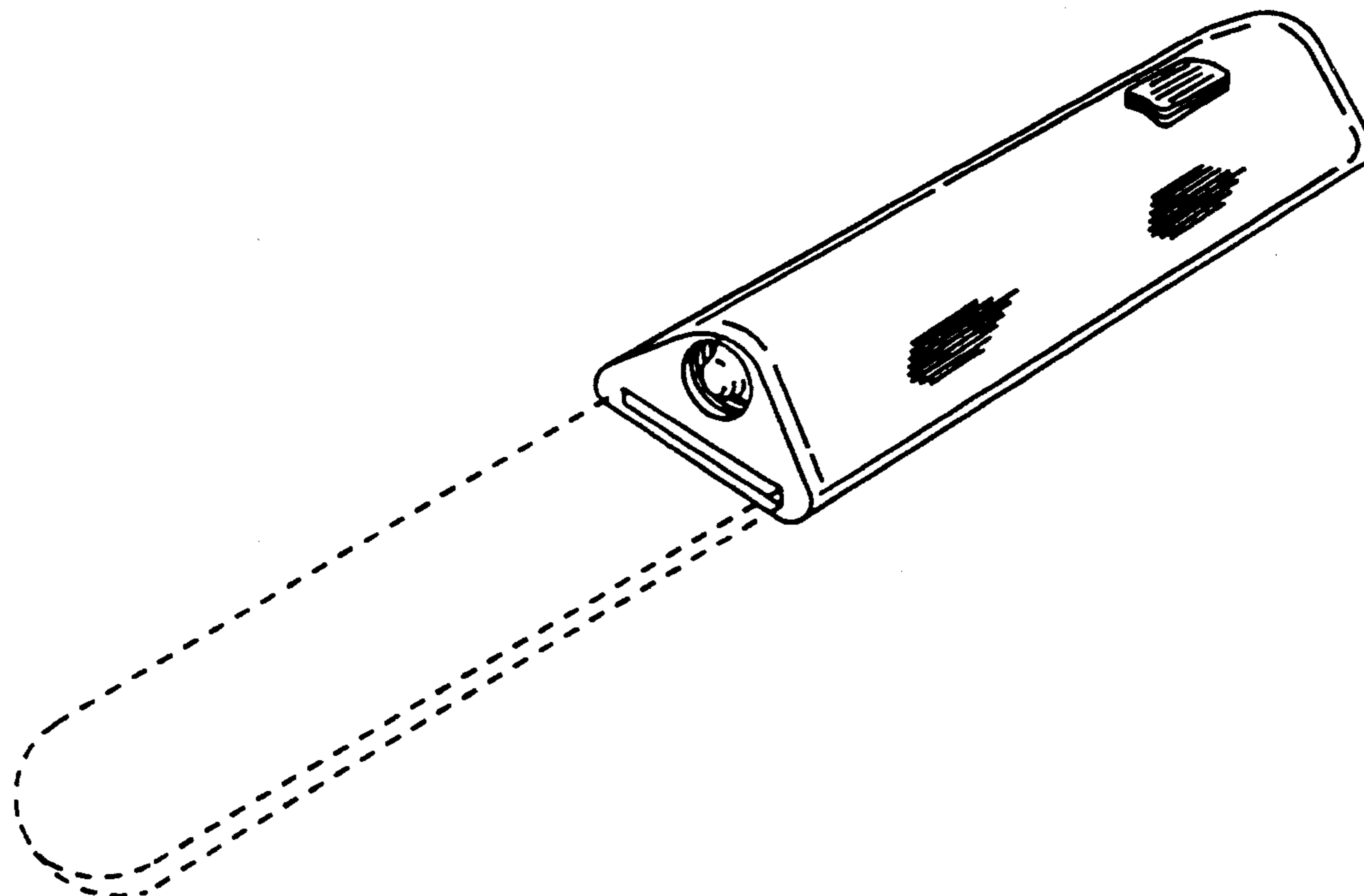
FIG. 2 is a top view of an illuminated tongue depressor handle;

FIG. 3 is a front end view of an illuminated tongue depressor handle showing illuminating lamp and tongue depressor slot;

FIG. 4 is a side view of an illuminated tongue depressor handle;

FIG. 5 is a back end view of an illuminated tongue depressor handle; and,

FIG. 6 is a bottom view of an illuminated tongue depressor handle.



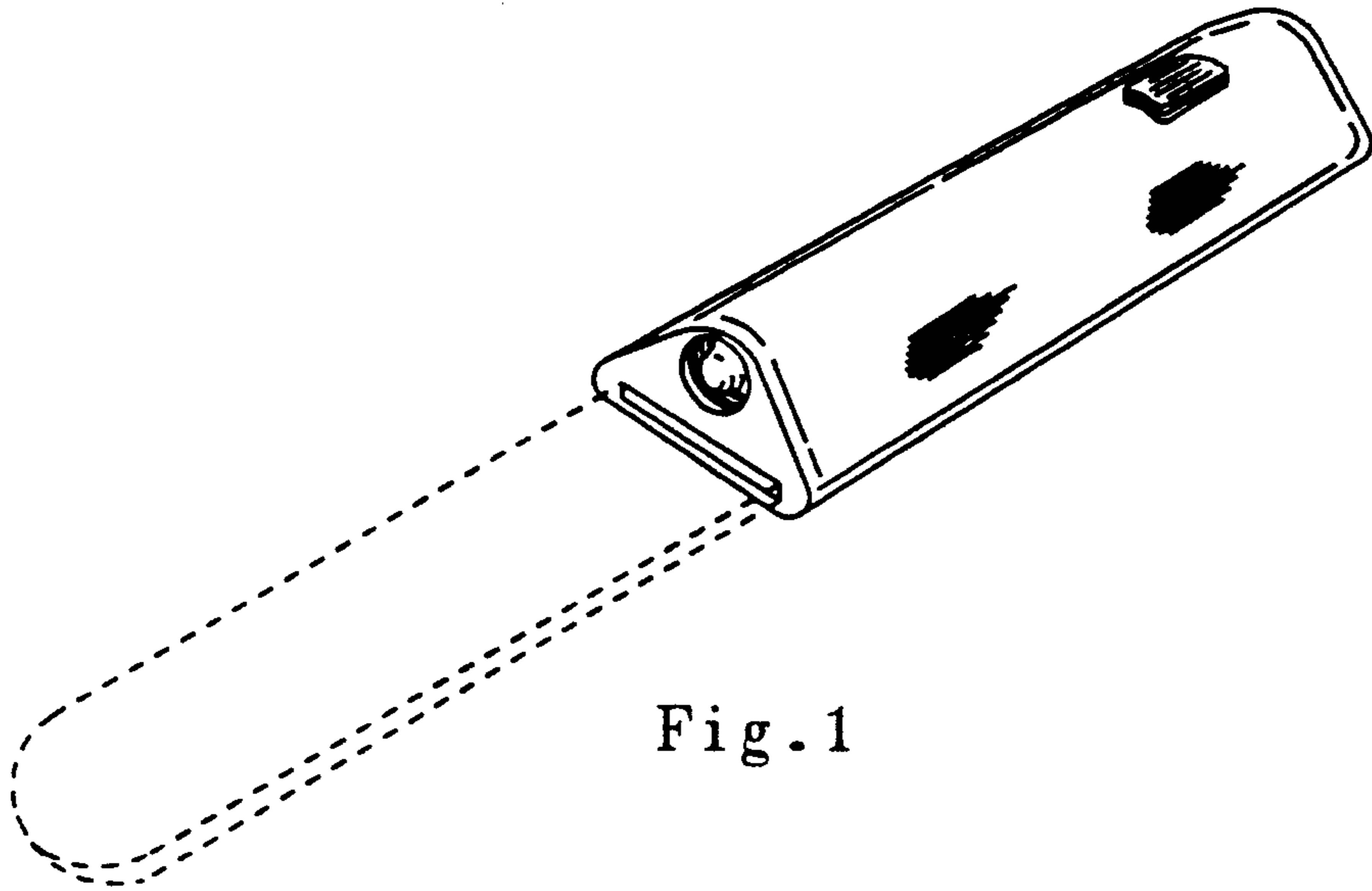


Fig. 1

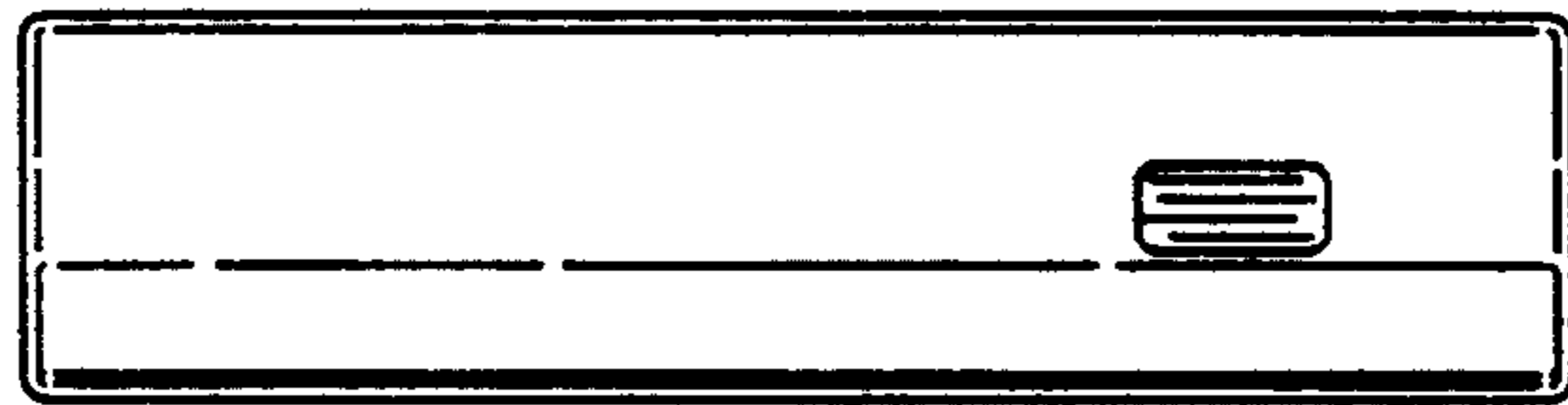


Fig. 2



Fig. 3

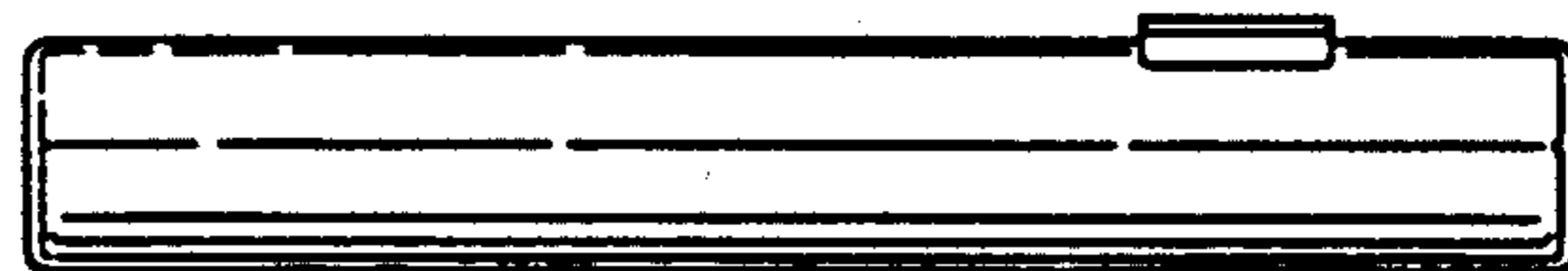


Fig. 4



Fig. 5

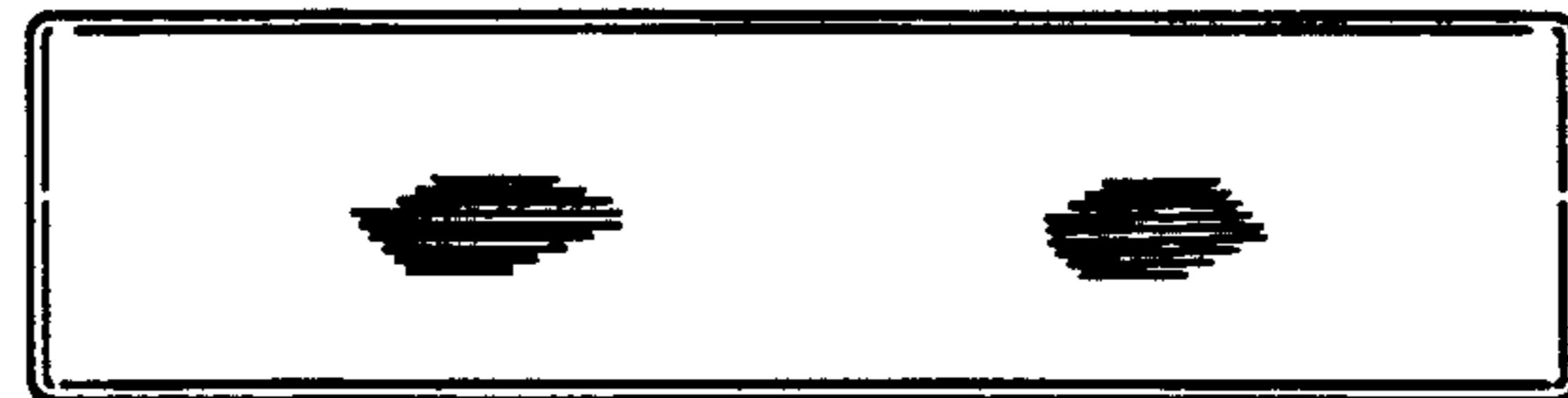


Fig. 6