



US00D342995S

# United States Patent [19]

[11] Patent Number: **Des. 342,995**

Simmons

[45] Date of Patent: **\*\* Jan. 4, 1994**

[54] **COMBINED DOCKING CANNULA HUB AND MATING STYLET HUB**

5,149,324 9/1992 Clawson ..... 604/164

[76] Inventor: **James W. Simmons**, 8122 Datapoint Dr., San Antonio, Tex. 78229

*Primary Examiner*—Stella Reid  
*Attorney, Agent, or Firm*—Gunn, Lee & Miller

[\*\*] Term: **14 Years**

[57] **CLAIM**

[21] Appl. No.: **807,563**

The ornamental design for a combined docking cannula hub and mating stylet hub, as shown.

[22] Filed: **Dec. 16, 1991**

**DESCRIPTION**

[52] U.S. Cl. .... **D24/112**

[58] Field of Search ..... 604/264, 165, 164, 51;  
D24/112, 113, 108, 107, 130

FIG. 1 is a top front, right side perspective view of a combined docking cannula hub and mating stylet hub showing my new design;

FIG. 2 is a front elevation view thereof;

FIG. 3 is a left side elevation view thereof;

FIG. 4 is a rear elevation view thereof;

FIG. 5 is a right side elevation view thereof;

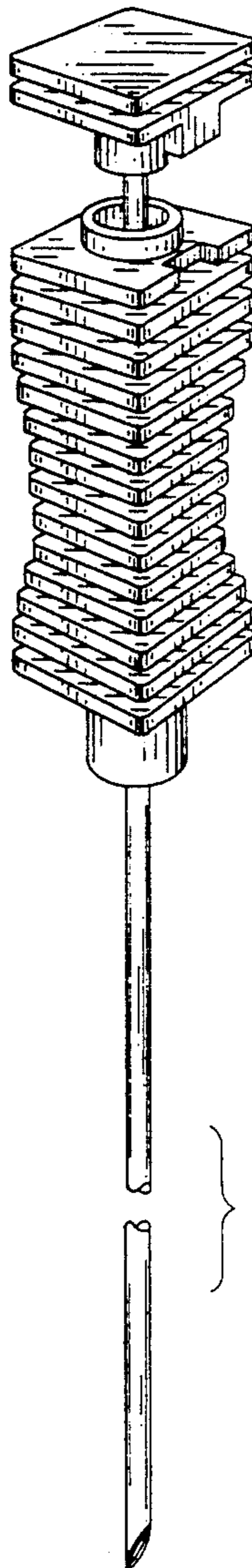
FIG. 6 is a top plan view thereof; and,

FIG. 7 is a bottom plan view thereof.

[56] **References Cited**

**U.S. PATENT DOCUMENTS**

- 90,839 10/1933 Eisele ..... D24/112
- 4,721,506 1/1988 Teves ..... 604/51
- 5,104,381 4/1992 Gresl et al. .... 604/51



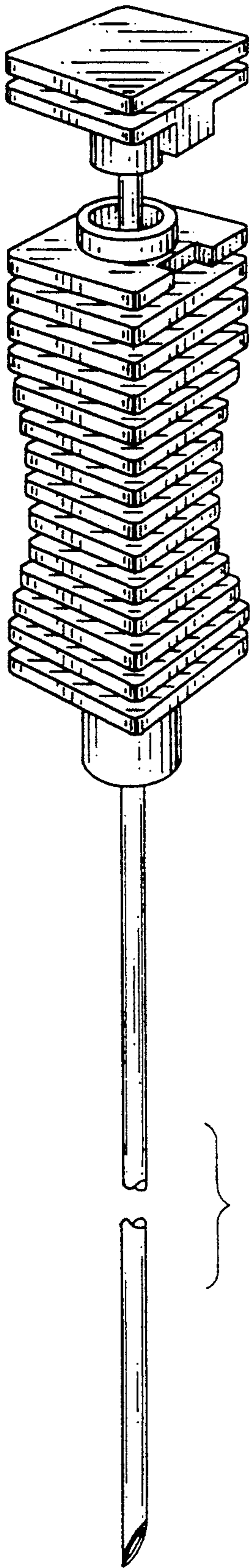


Fig. 1

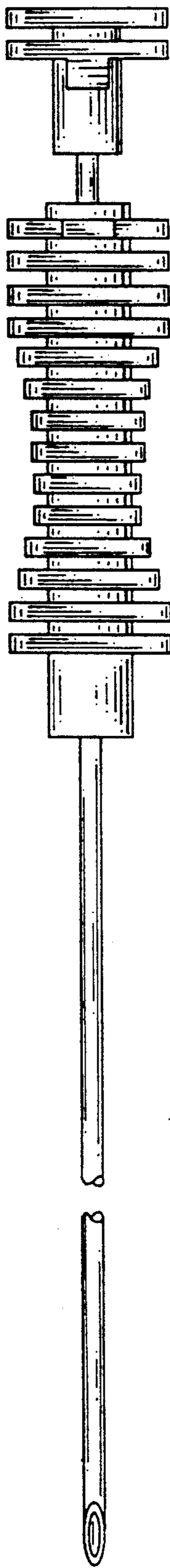


Fig. 2

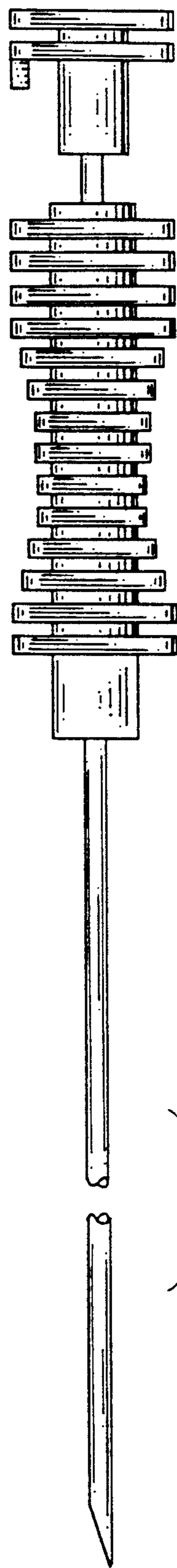


Fig. 3

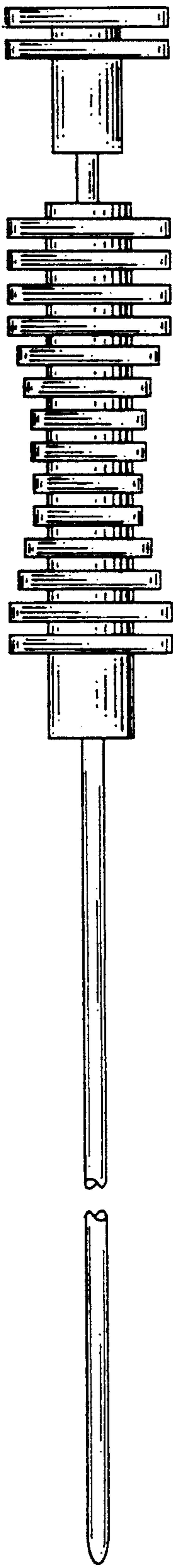


Fig. 4

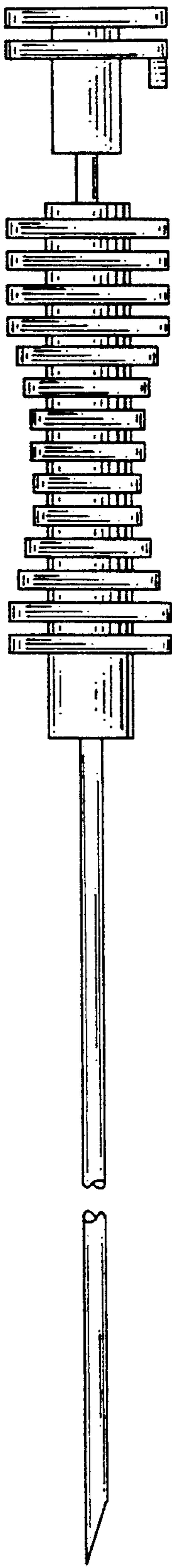


Fig. 5

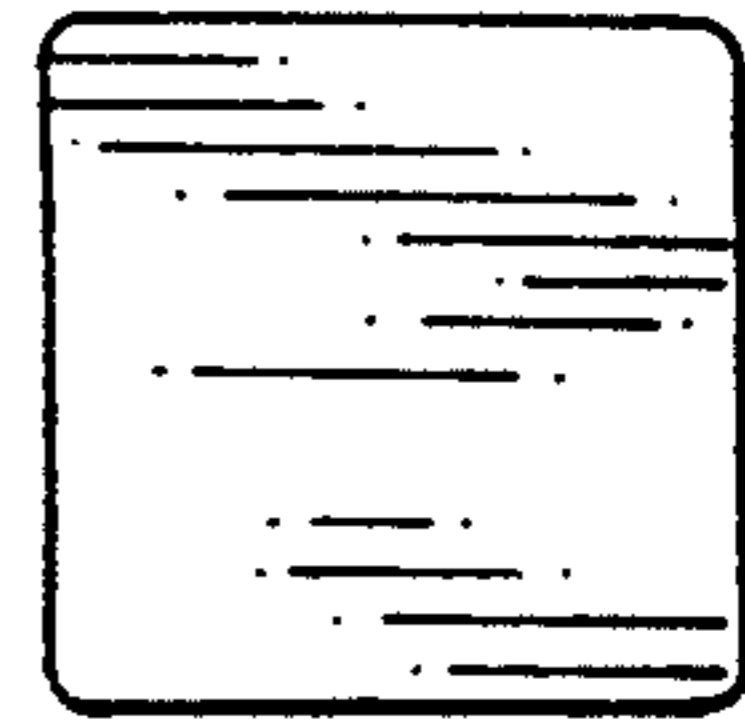


Fig. 6

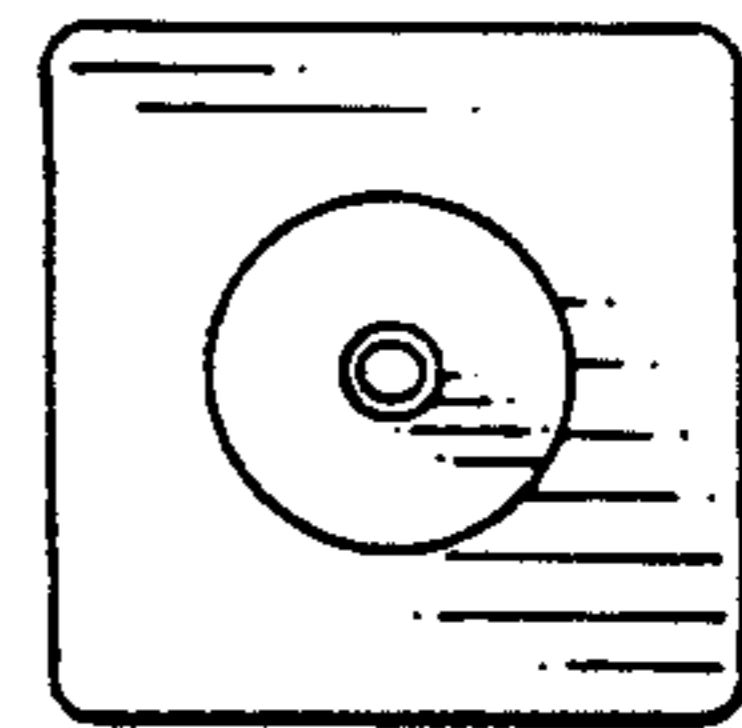


Fig. 7