



US00D342992S

United States Patent [19]

Robertson

[11] Patent Number: **Des. 342,992**

[45] Date of Patent: **** Jan. 4, 1994**

[54] **SANITIZING STATION FOR HANDS**

4,969,220 11/1990 Raigneau 4/619

[76] Inventor: **Barry Robertson**, 15th Side Road,
R.R. #2, Rockwood, Ontario,
Canada, N0B 2K0

FOREIGN PATENT DOCUMENTS

1149786 7/1983 Canada .

[**] Term: **14 Years**

Primary Examiner—James R. Largen
Attorney, Agent, or Firm—Barry Kramer

[21] Appl. No.: **698,574**

[57] CLAIM

[22] Filed: **May 10, 1991**

The ornamental design for a sanitizing station for hands,
as shown.

[30] Foreign Application Priority Data

Nov. 13, 1990 [CA] Canada 13-11-90-6

[52] U.S. Cl. **D23/270; D23/291**

[58] Field of Search 4/619, 626, 628, 630,
4/647-649; D23/270-274, 284-294, 308

DESCRIPTION

[56] References Cited

U.S. PATENT DOCUMENTS

- D. 103,110 2/1937 Krolop D23/291
- D. 115,614 7/1939 Ebling D23/291 X
- D. 119,295 3/1940 Wilkinson D23/291
- D. 119,297 3/1940 Bales D23/291
- D. 119,298 3/1940 Bales D23/291
- D. 119,300 3/1940 Bales D23/291
- D. 200,289 2/1965 Schor D23/286
- D. 225,403 12/1972 Brendgord D23/284
- 3,728,745 4/1973 Brendgord et al. .
- 4,295,233 10/1981 Hinkel et al. 4/619
- 4,336,619 6/1982 Hinkel et al. .
- 4,398,310 8/1983 Lienhard .
- 4,563,780 1/1986 Pollack .
- 4,606,085 8/1986 Davies .
- 4,670,010 6/1987 Dragone .
- 4,942,631 6/1990 Robertson .

FIG. 1 is a perspective view taken from the top, front and right side of a sanitizing station for hands showing my new design;

FIG. 2 is a perspective view taken from the bottom, rear and right side thereof;

FIG. 3 is a top plan view thereof;

FIG. 4 is a front elevational view thereof;

FIG. 5 is a right side elevational view thereof, the left side being a mirror image of the right side;

FIG. 6 is a bottom plan view thereof;

FIG. 7 is a rear elevational view thereof;

FIG. 8 is a perspective view taken from the top, front and right side of a second embodiment thereof;

FIG. 9 is a perspective view taken from the bottom, rear and right side of FIG. 8;

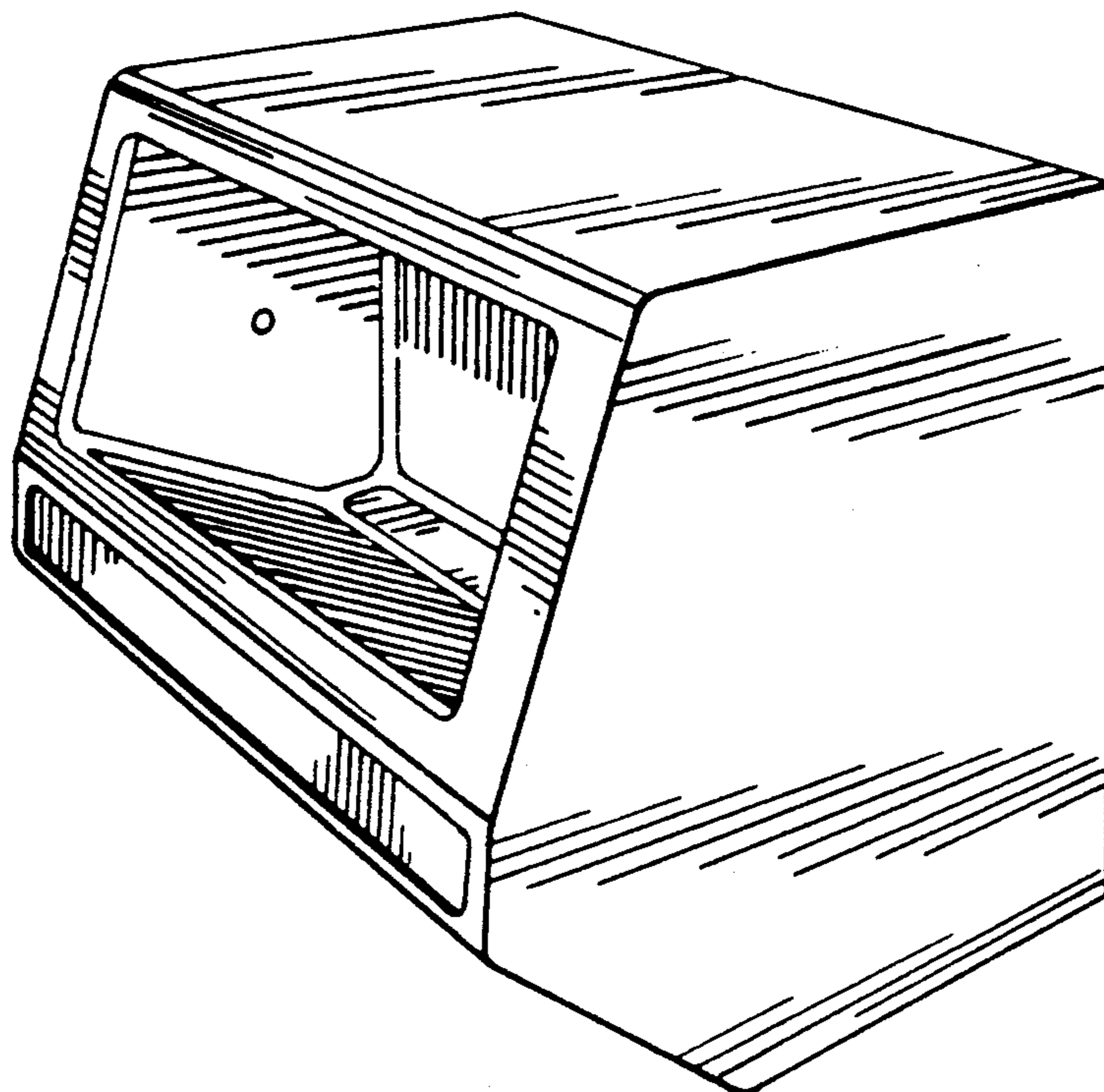
FIG. 10 is a top plan view of FIG. 8;

FIG. 11 is a front elevational view of FIG. 8;

FIG. 12 is a right side elevational view of FIG. 8, the left side being a mirror image of the right side;

FIG. 13 is a bottom plan view of FIG. 8; and,

FIG. 14 is a rear elevational view of FIG. 8.



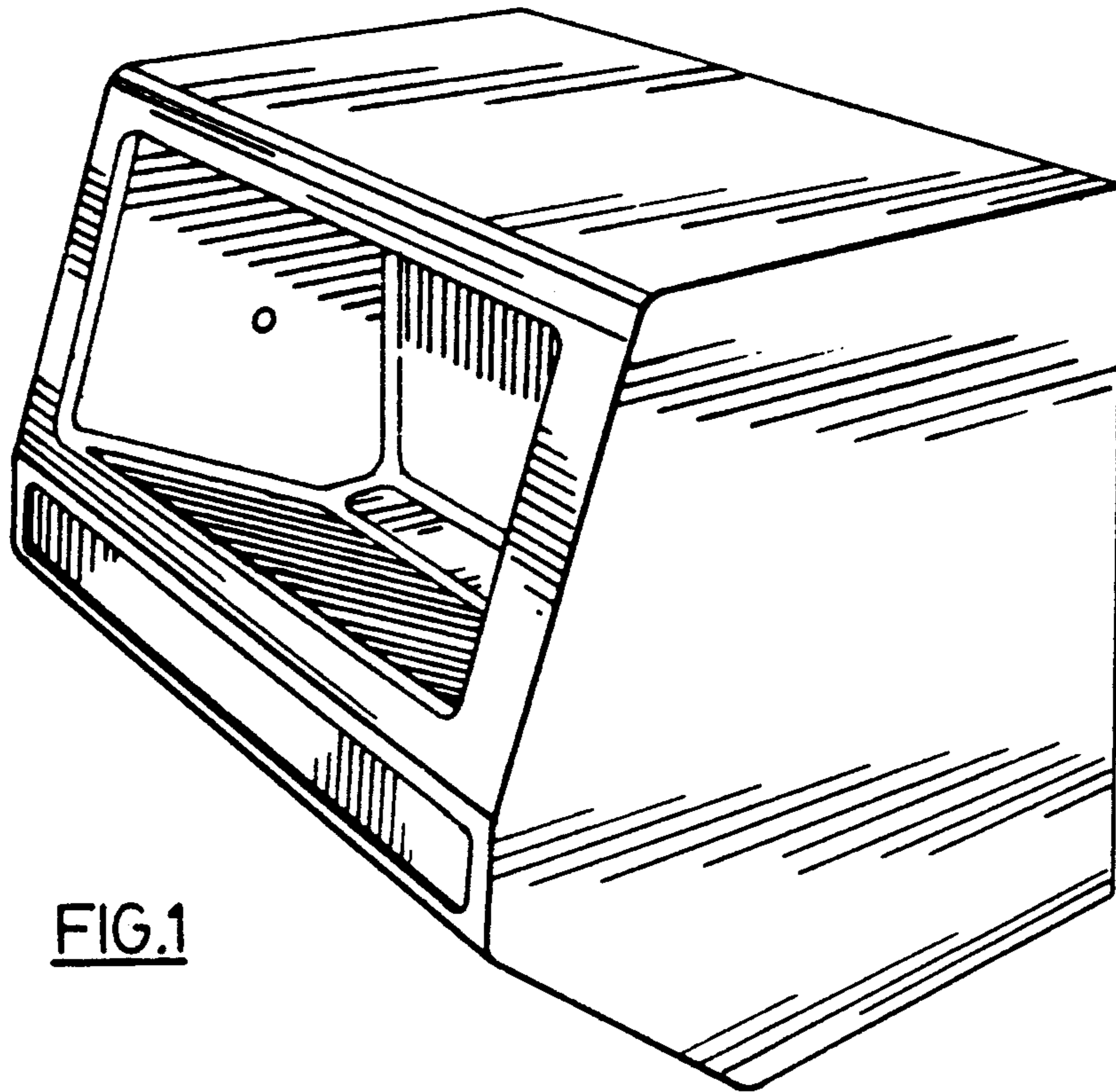


FIG. 1

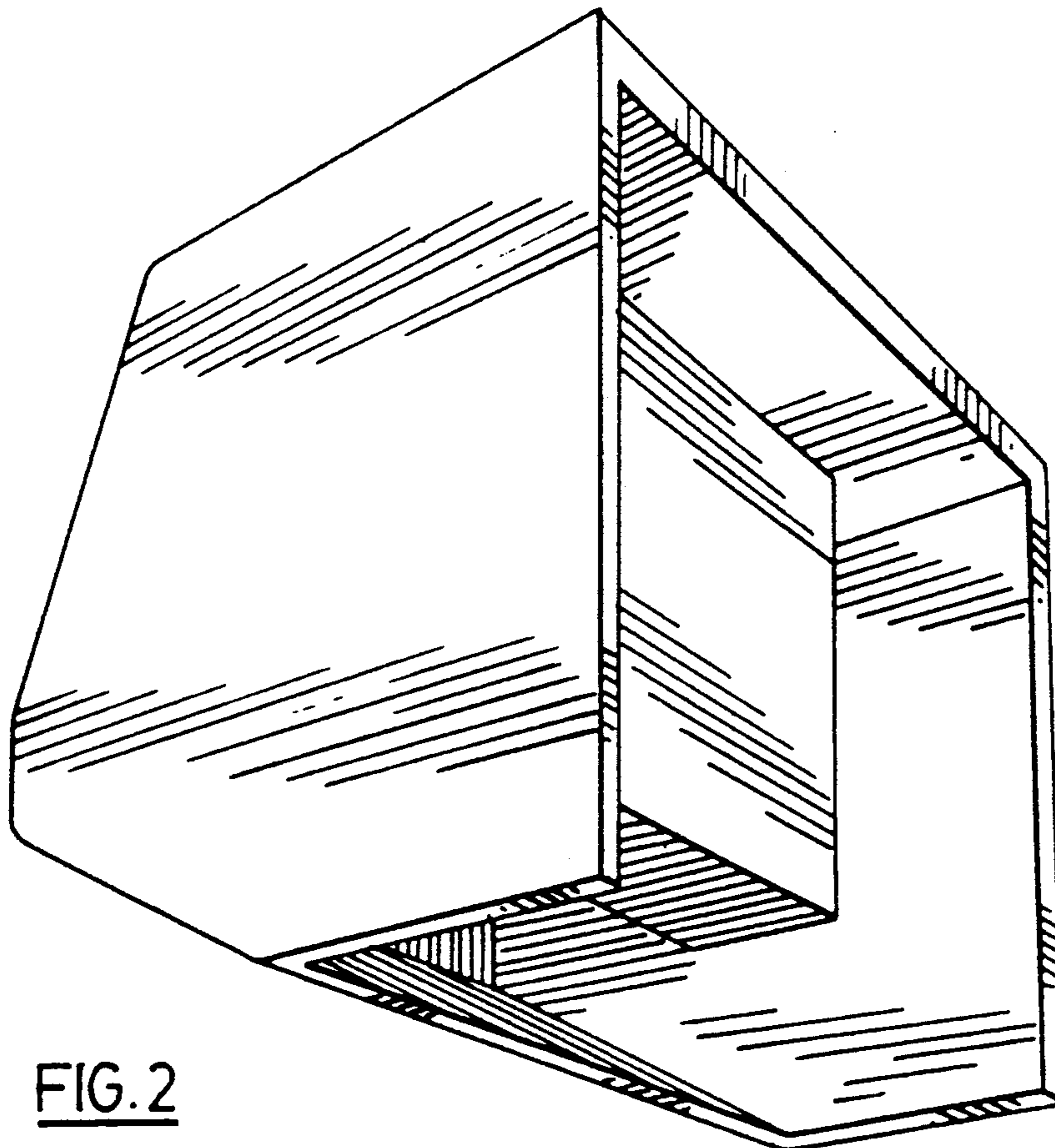


FIG. 2

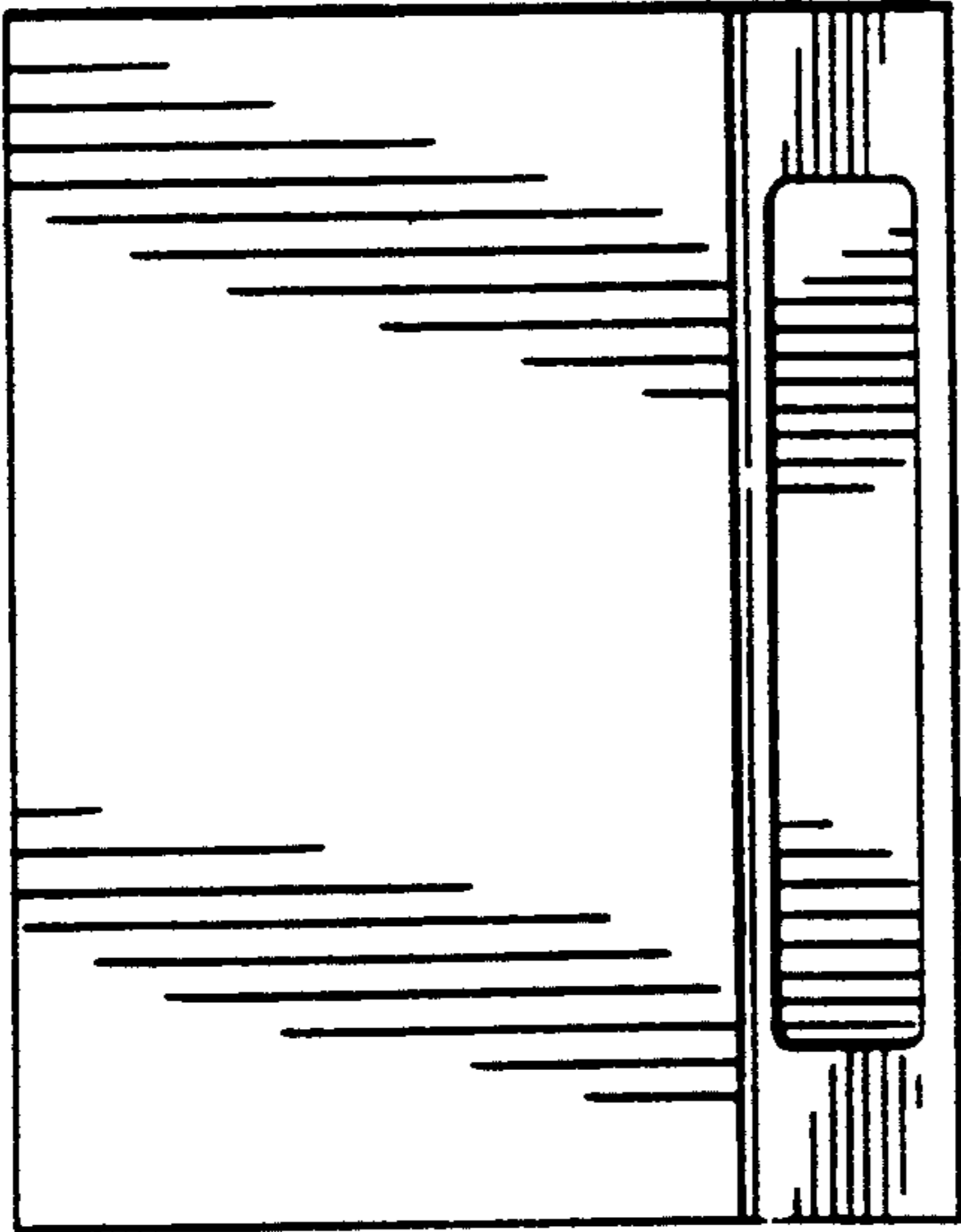


FIG. 3

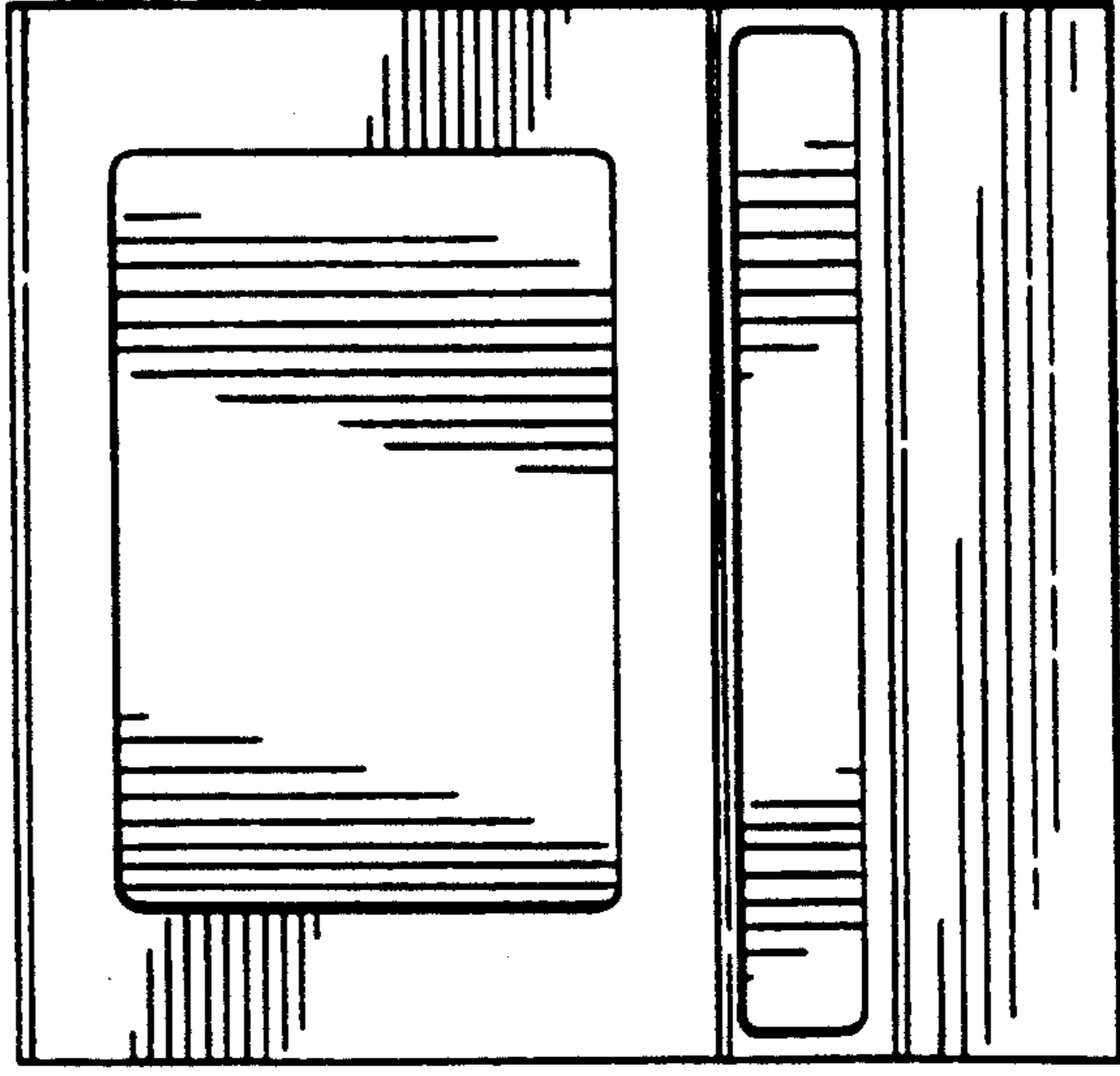


FIG. 4

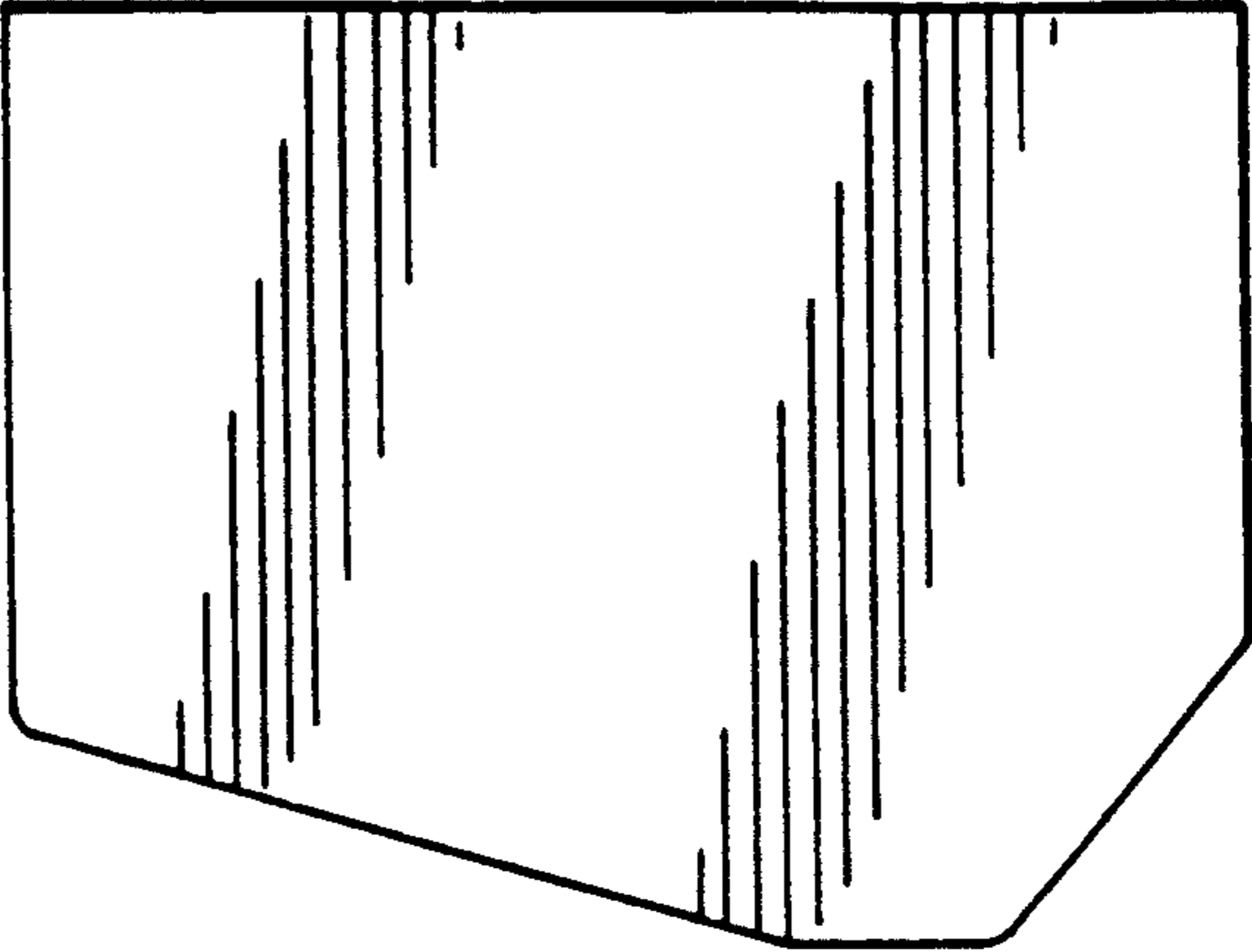


FIG. 5

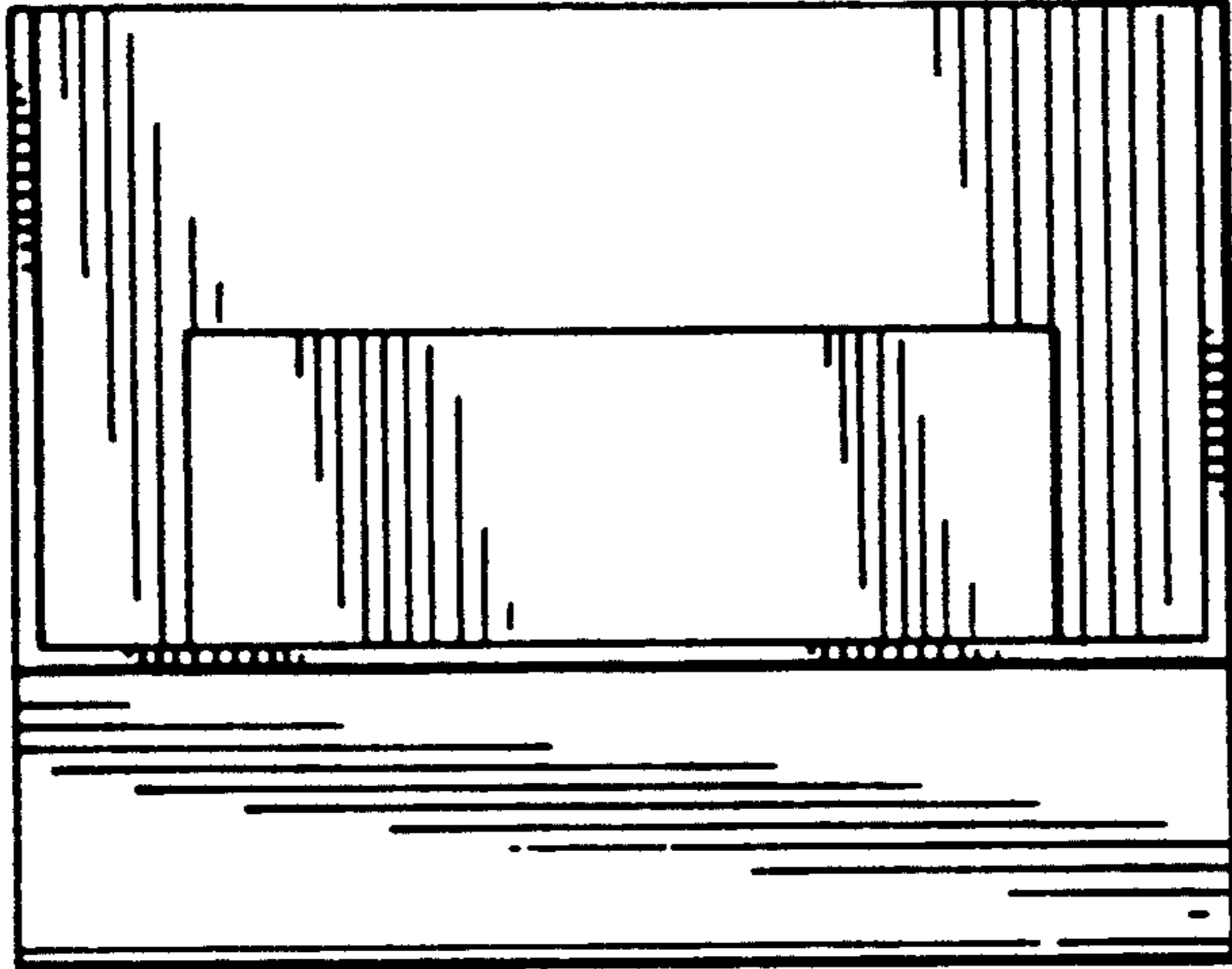


FIG. 6

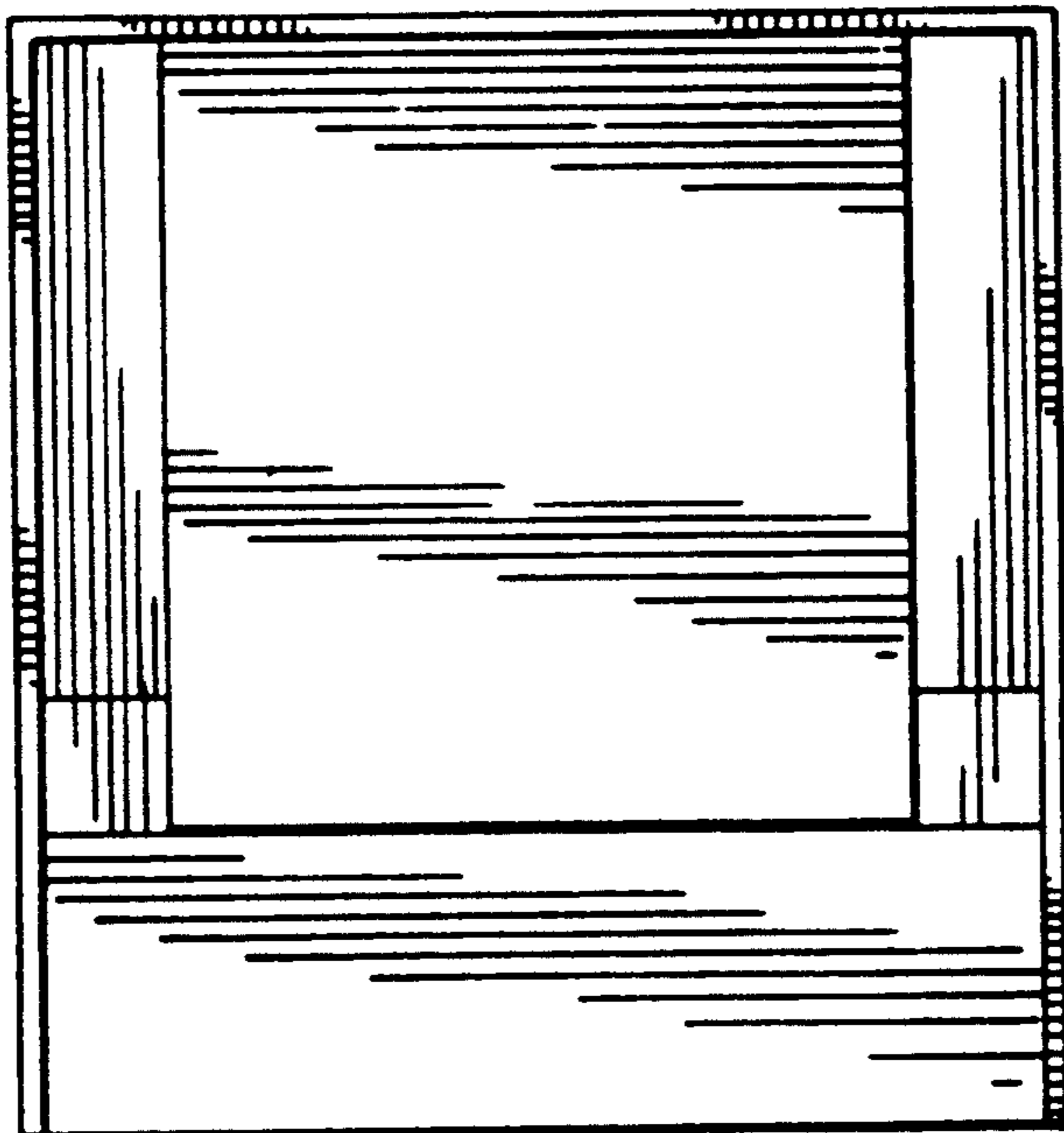


FIG. 7

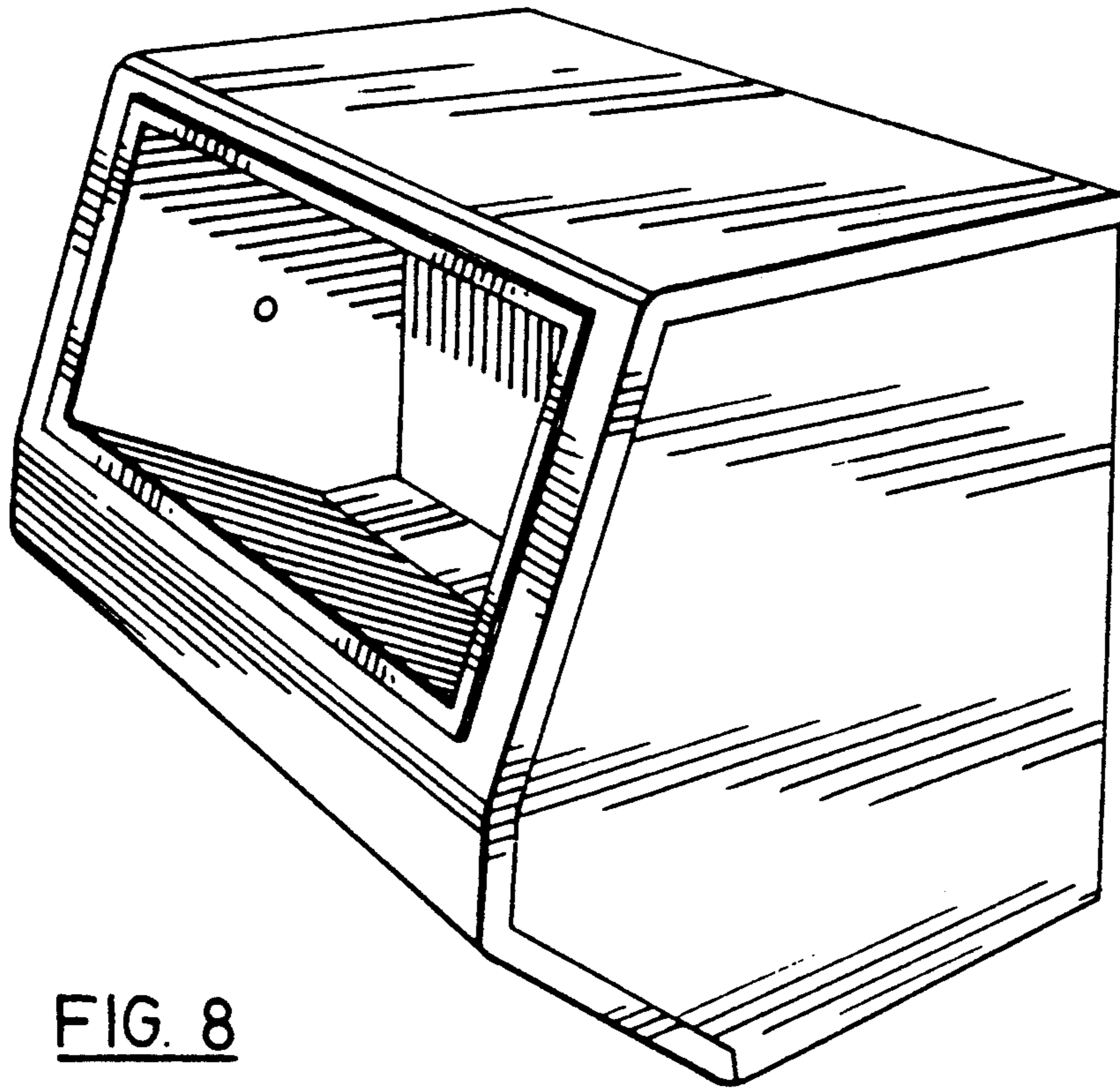


FIG. 8

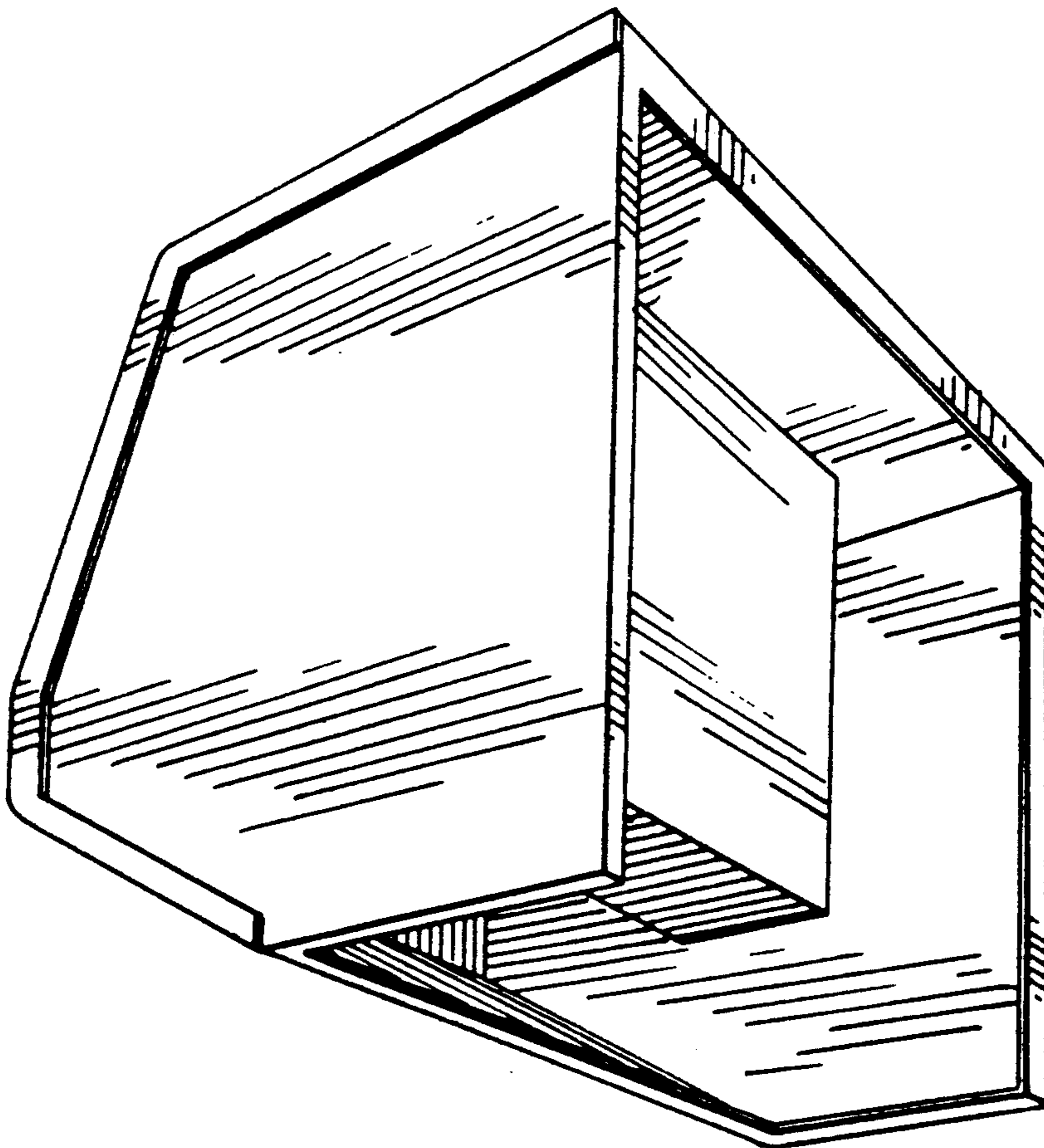


FIG. 9

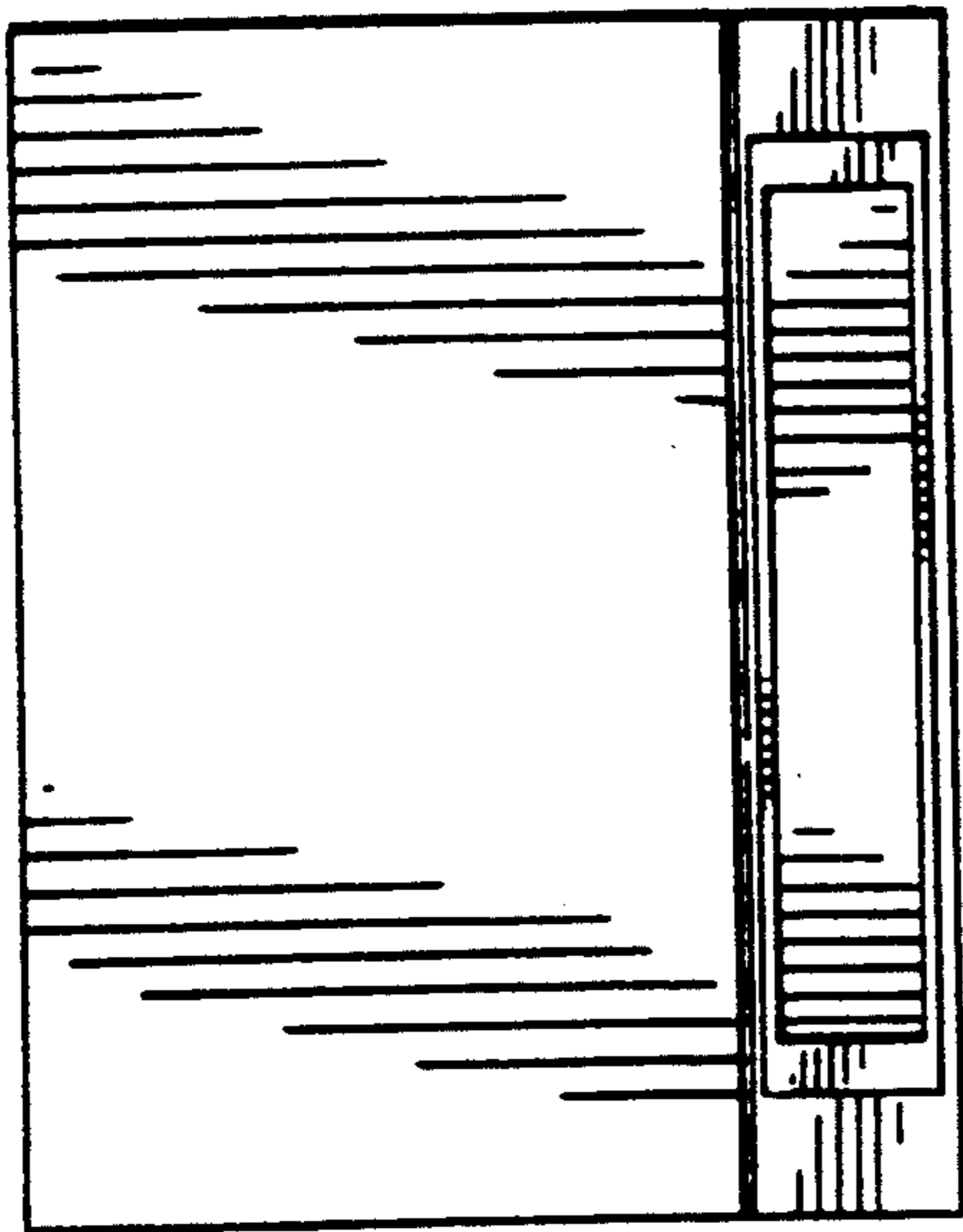


FIG. 10

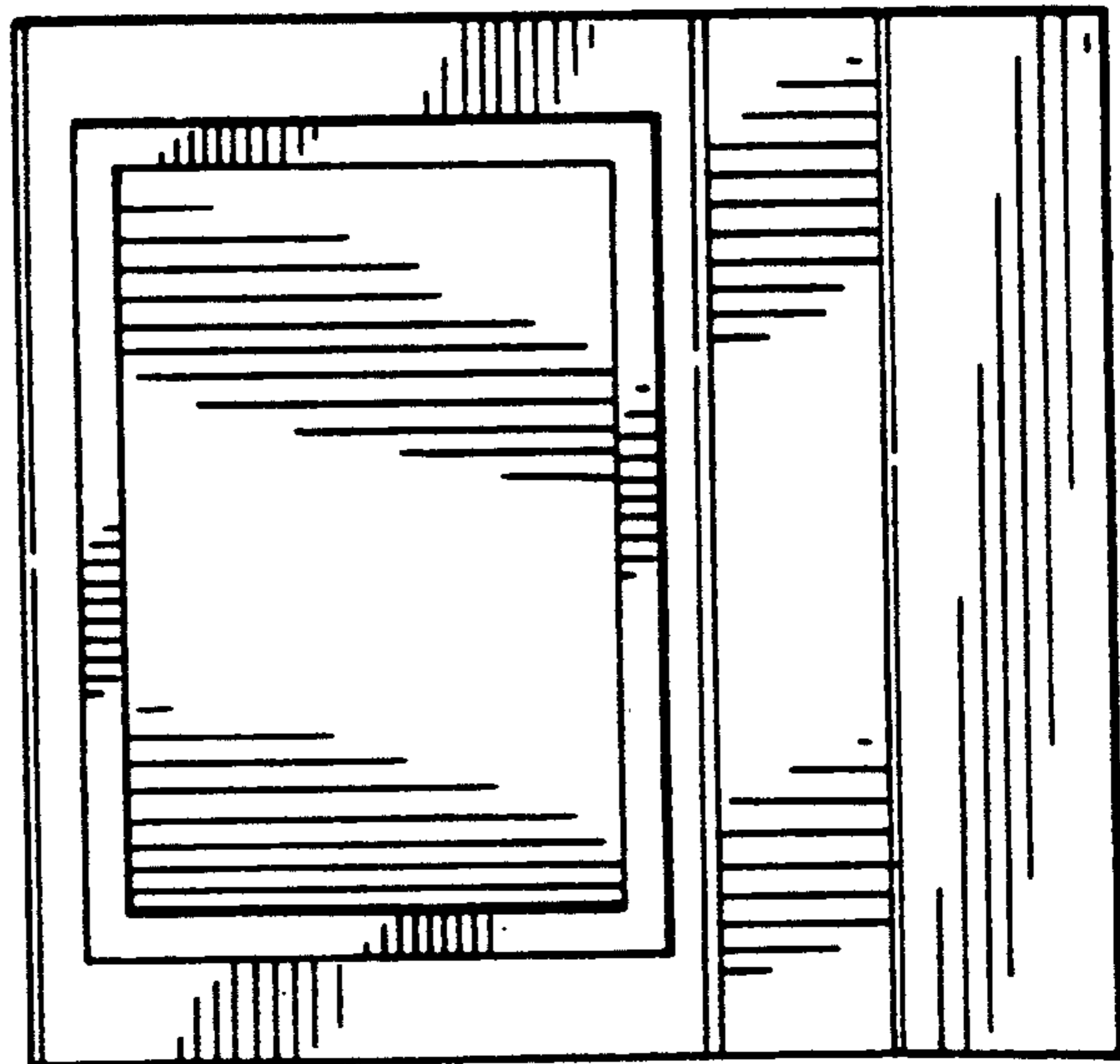


FIG. 11

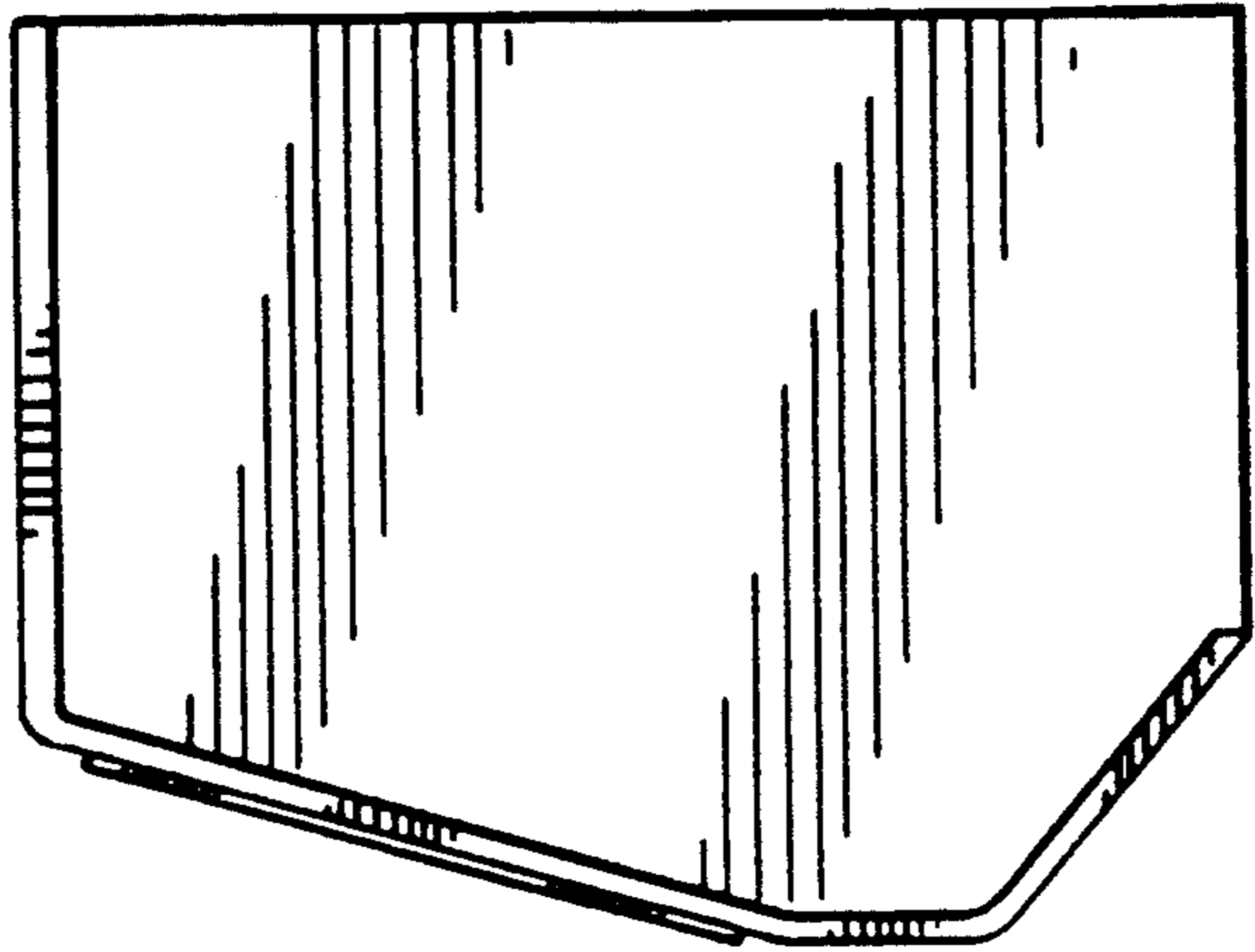


FIG. 12

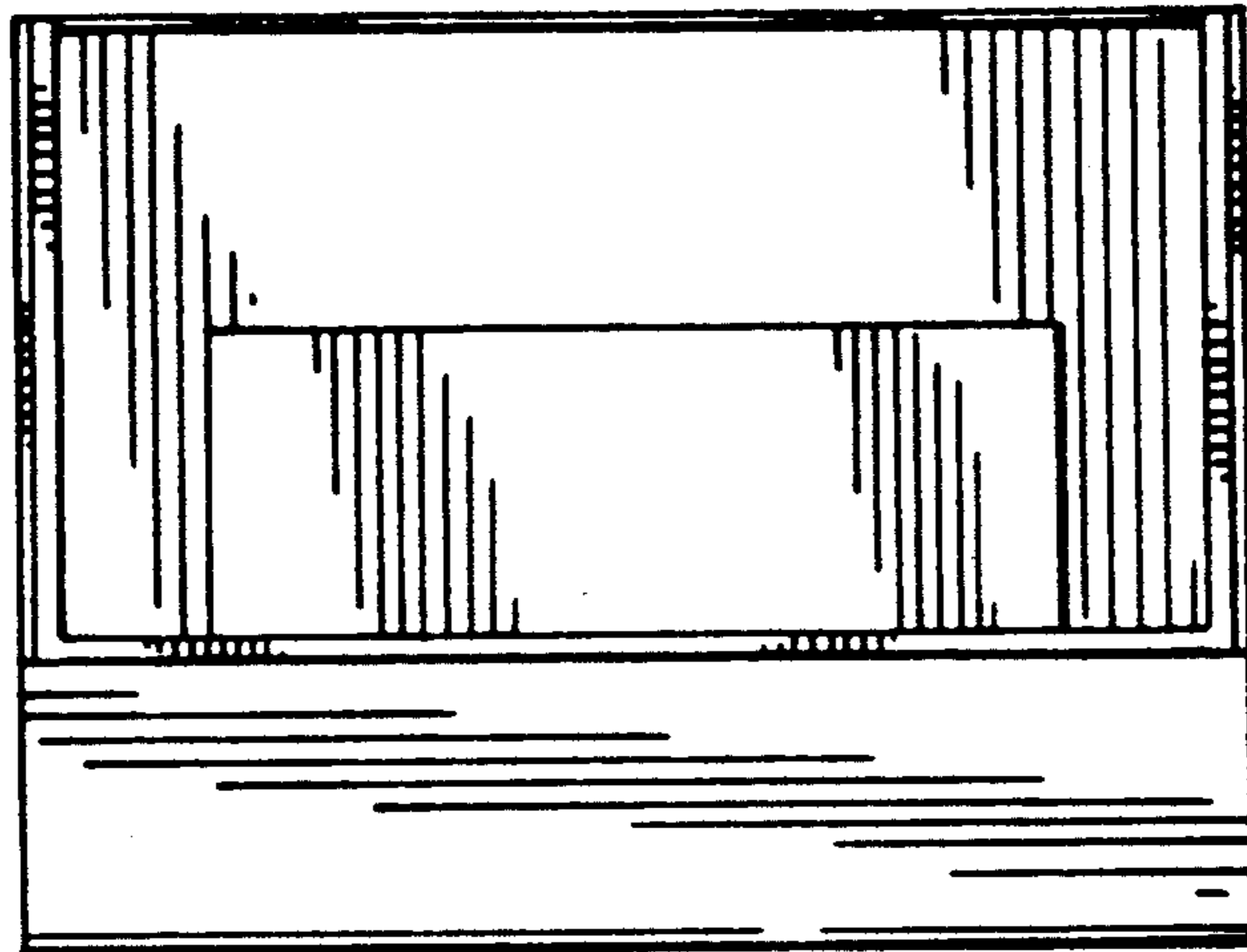


FIG. 13

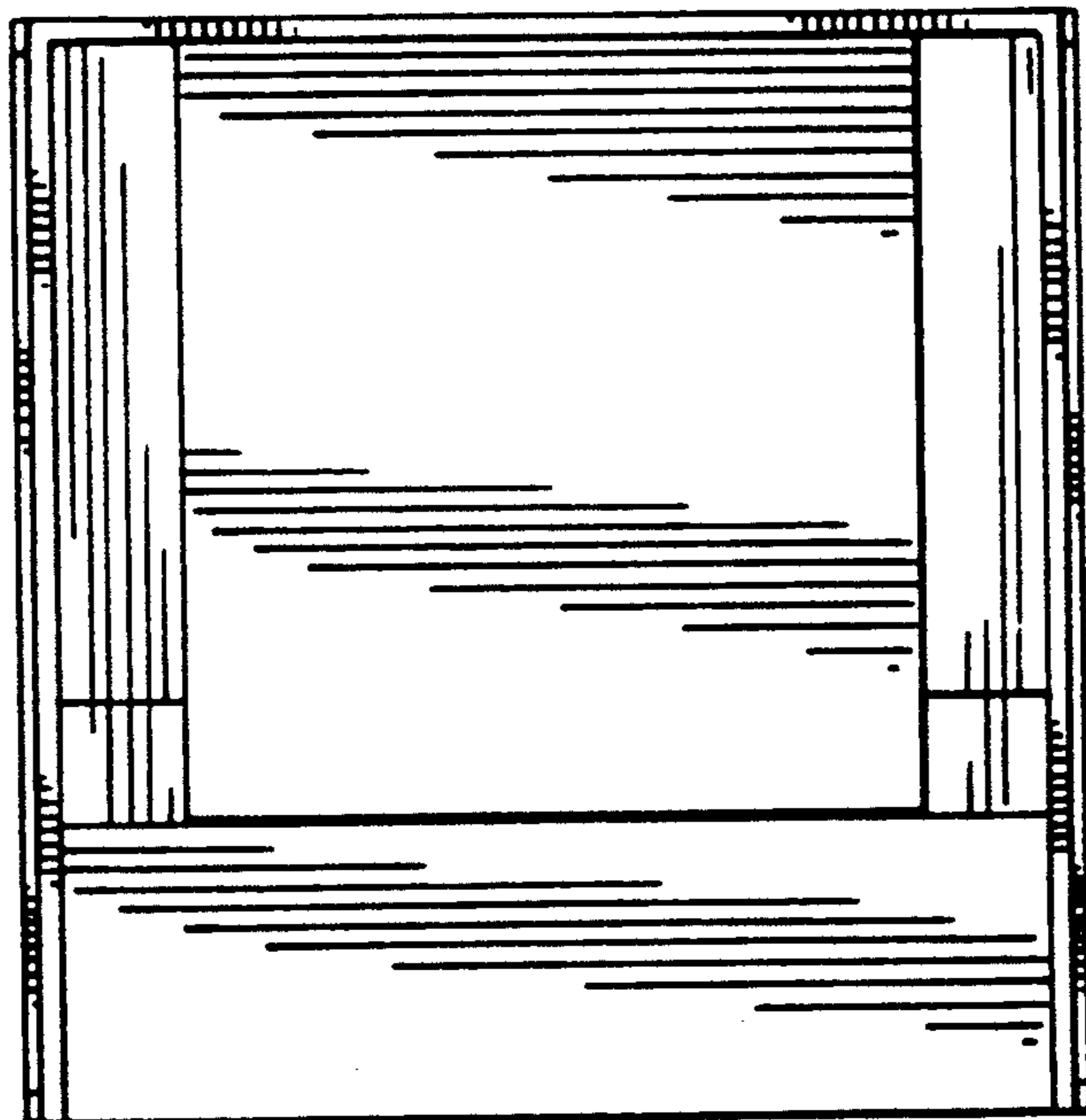


FIG. 14