



US00D342989S

United States Patent [19]

[11] Patent Number: Des. 342,989

Wallen

[45] Date of Patent: ** Jan. 4, 1994

[54] HUMIDIFIER

[75] Inventor: Julie A. Wallen, Jefferson City, Tenn.

[73] Assignee: Carrier Corporation, Syracuse, N.Y.

[**] Term: 14 Years

[21] Appl. No.: 921,495

[22] Filed: Jul. 29, 1992

[52] U.S. Cl. D23/357

[58] Field of Search 261/DIG. 14, 15; 126/113; 392/402; D23/356-360

[56] References Cited

U.S. PATENT DOCUMENTS

2,984,464	5/1961	Herr	261/91
3,823,926	7/1974	Bracich	261/DIG. 15
4,056,582	11/1977	Chow	126/113

OTHER PUBLICATIONS

Grainger's Spring '86 Cat, p. 1072, Drain Type Humidifier, No. 2E390, top right side of page.

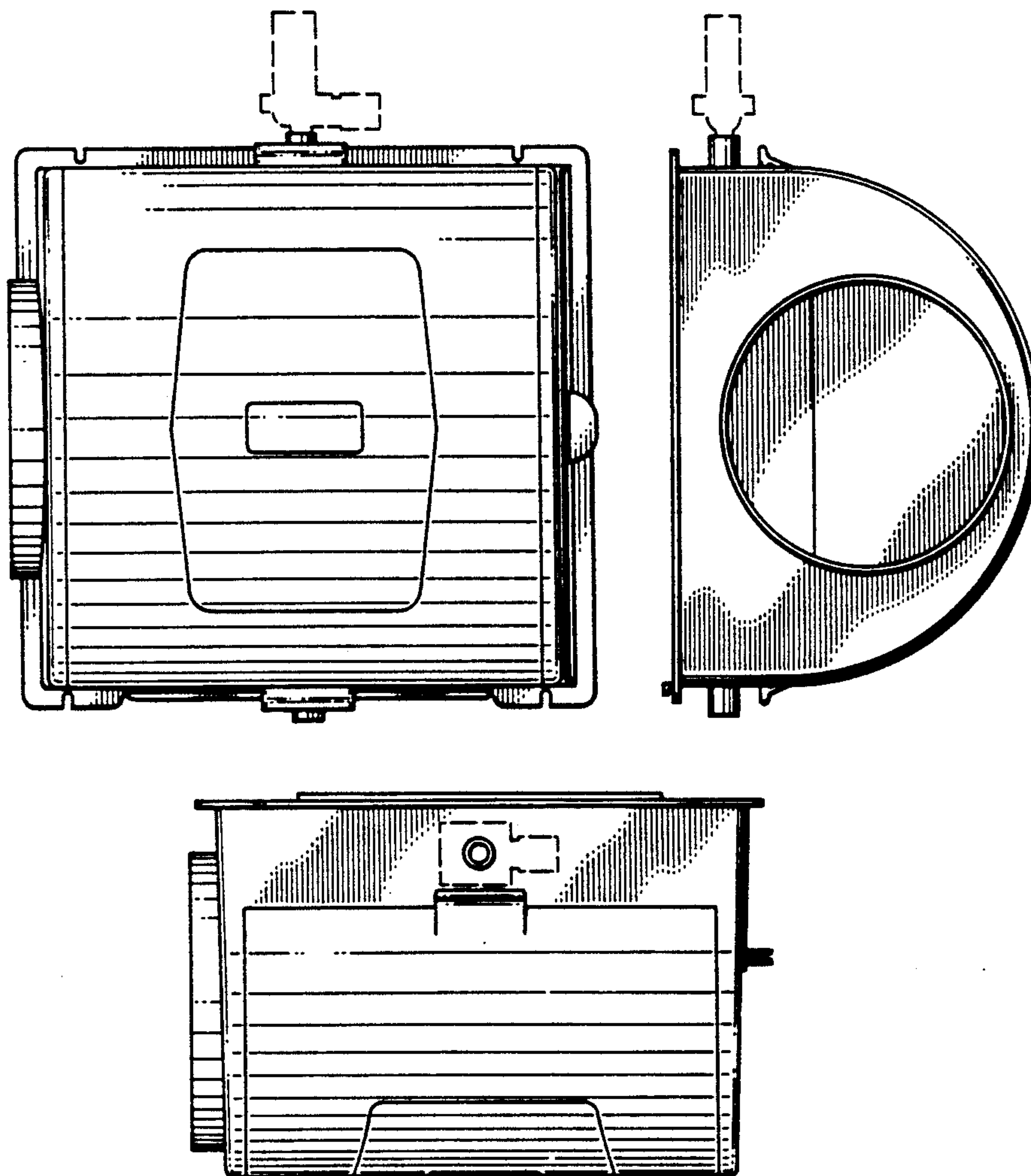
Primary Examiner—Wallace R. Burke
Assistant Examiner—Lisa Lichtenstein

[57] CLAIM

The ornamental design for a humidifier, as shown and described.

DESCRIPTION

FIG. 1 is a front elevational view of one embodiment of a humidifier, showing my new design; FIG. 2 is a top plan view thereof; FIG. 3 is a left side elevational view thereof; FIG. 4 is a right side elevational view thereof; FIG. 5 is a rear elevational view thereof; and, FIG. 6 is a bottom plan view thereof. The broken-line showing of environmental structure in FIGS. 1-5, is for illustrative purposes only, and forms no part of the claimed invention.



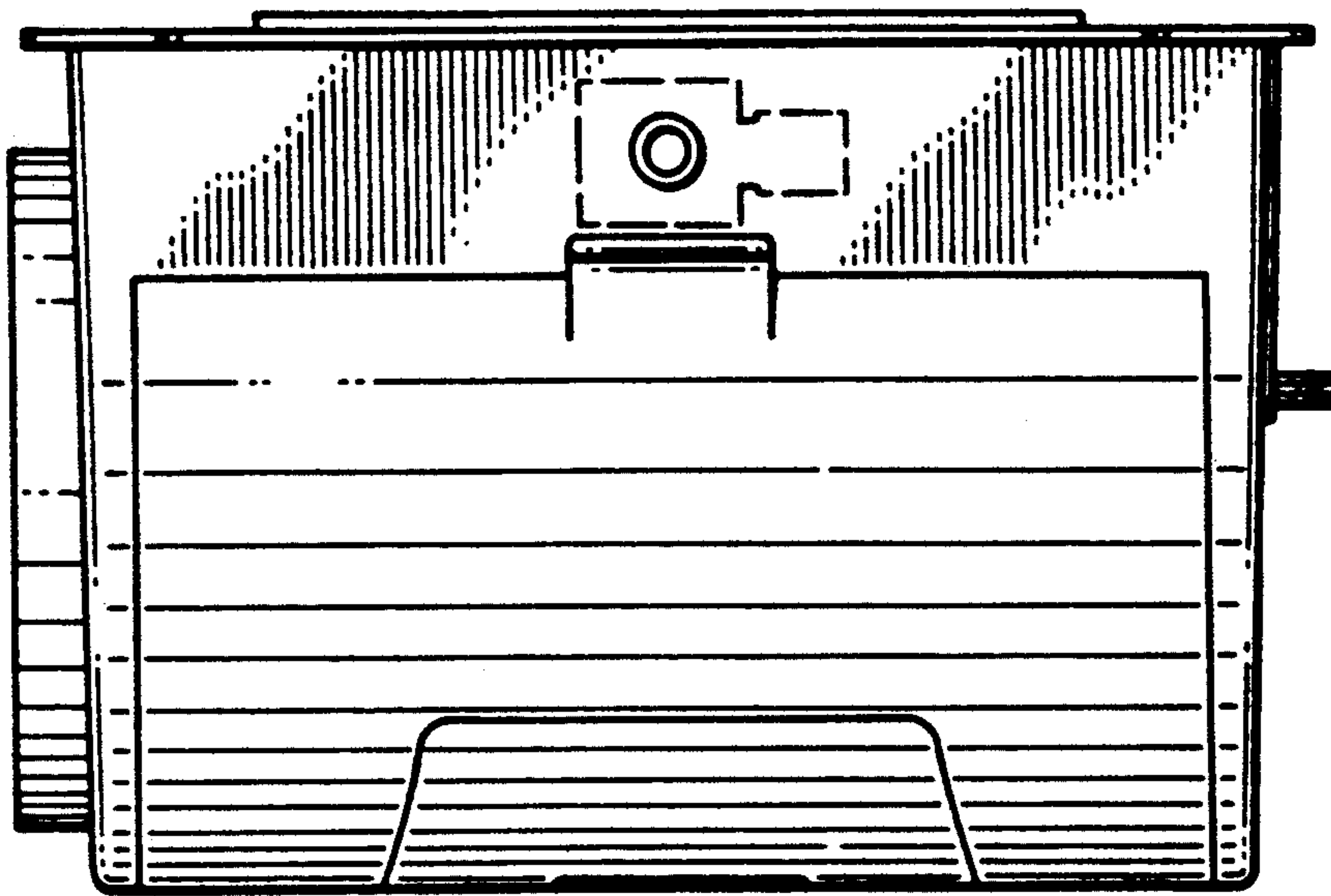


FIG. 2

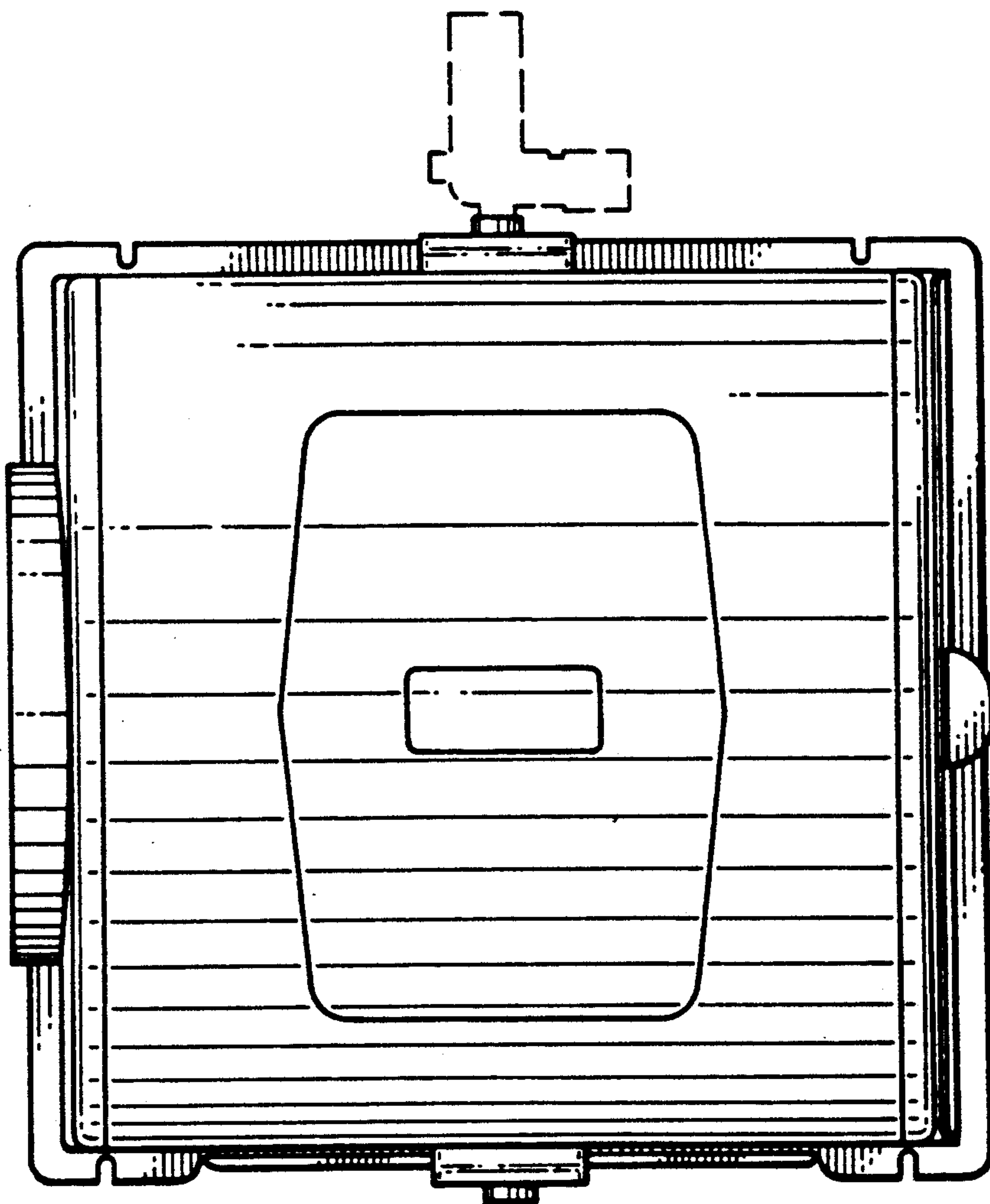


FIG. 1

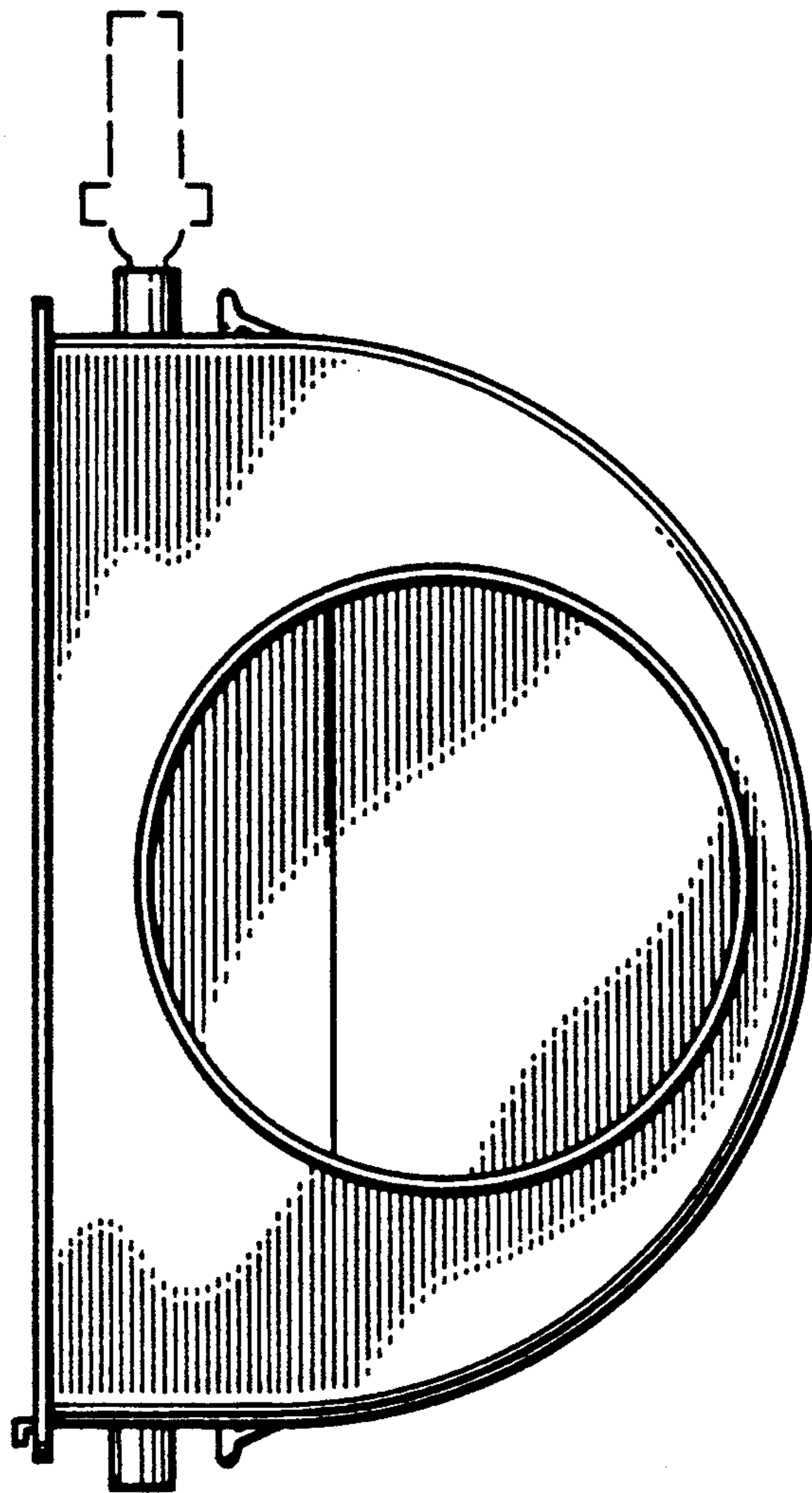
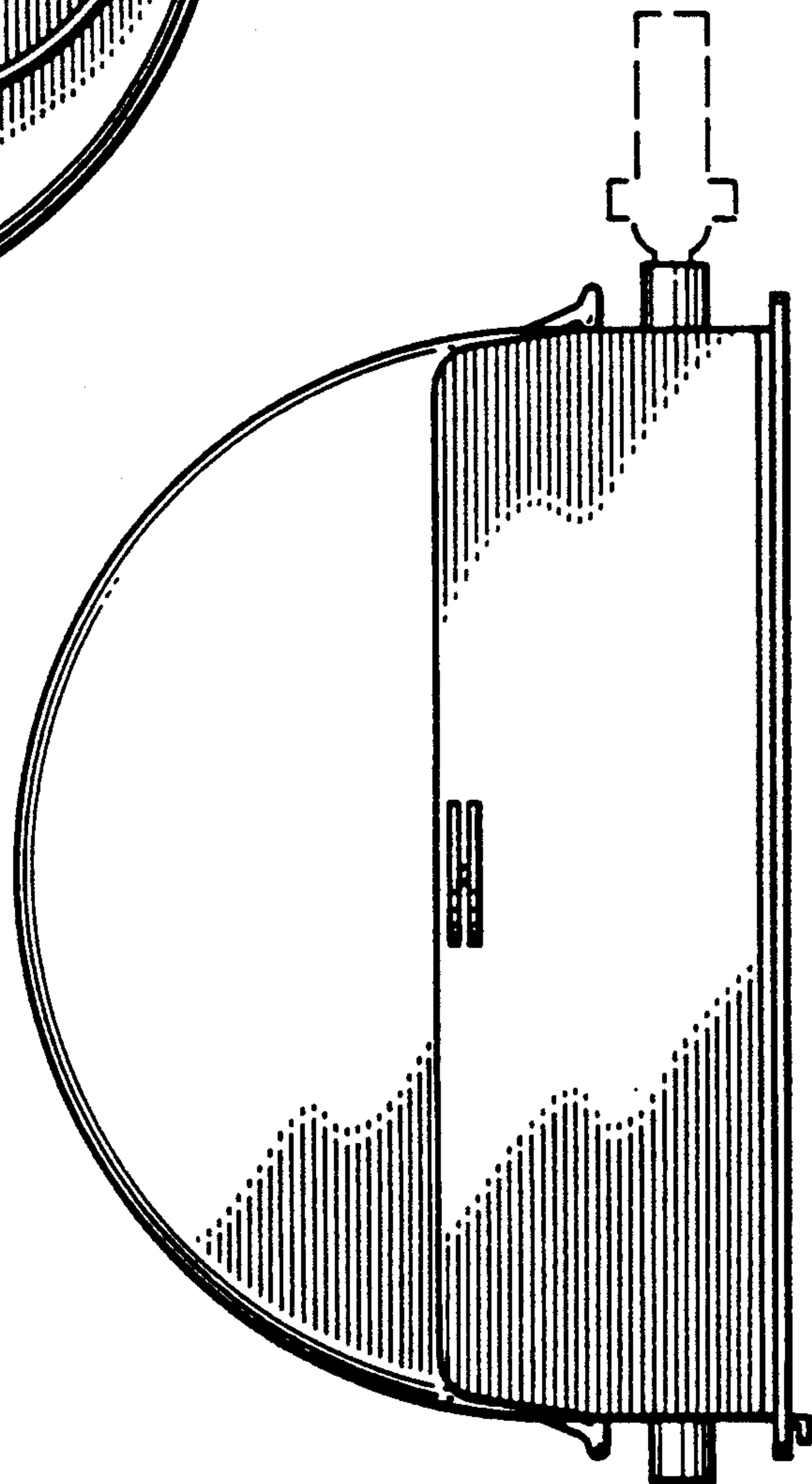


FIG. 3

FIG. 4



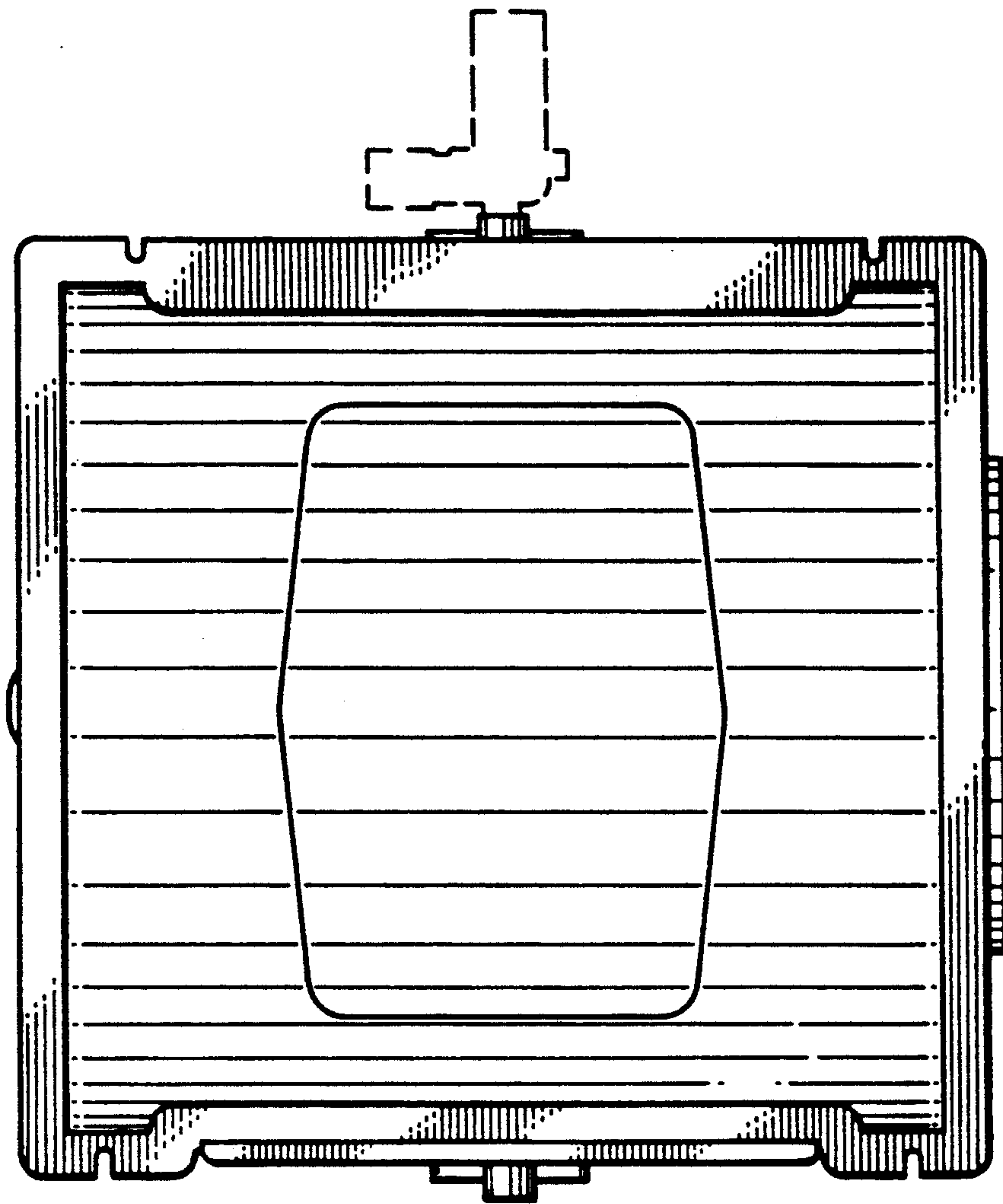


FIG. 5

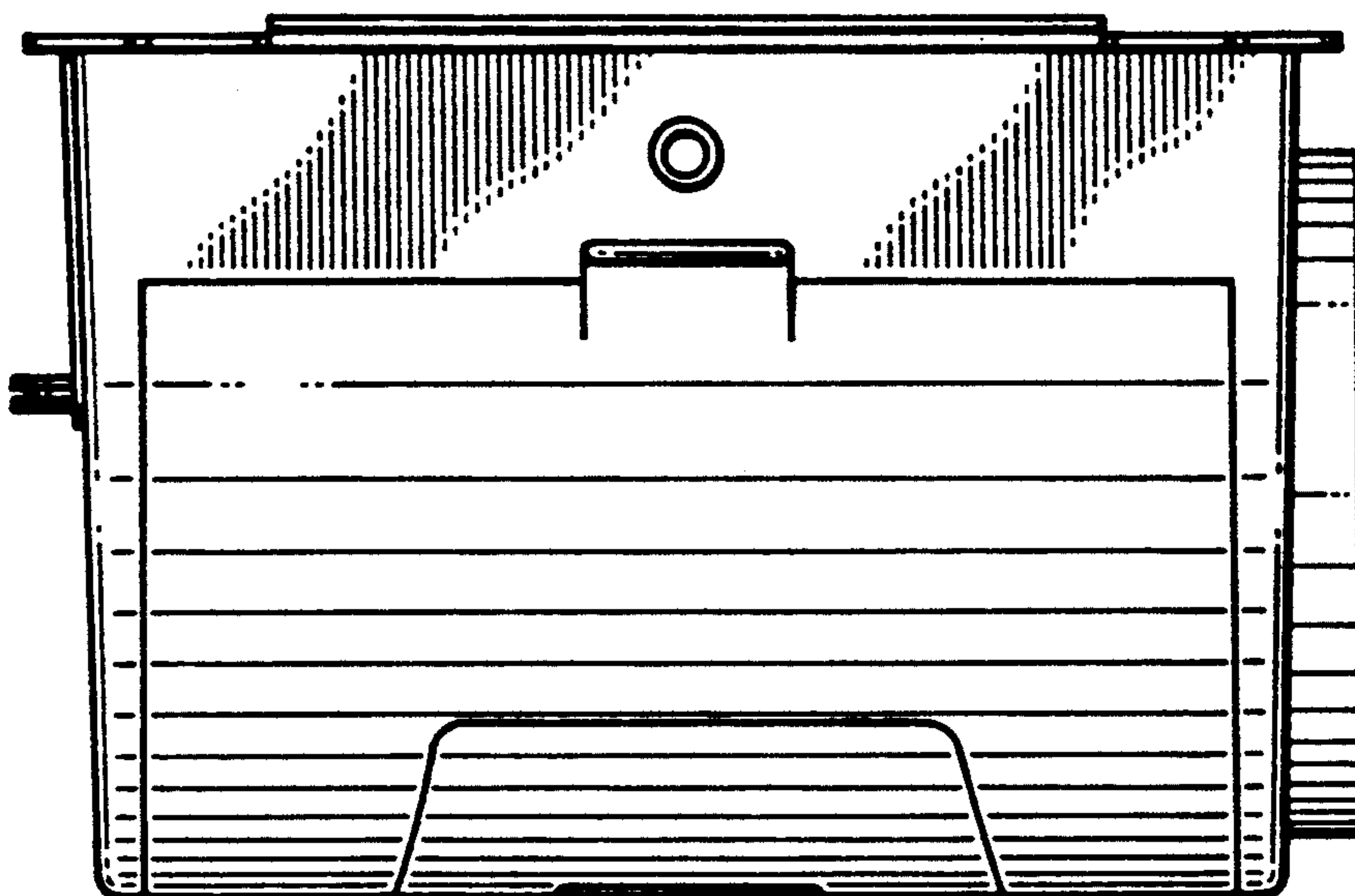


FIG. 6