



US00D342988S

# United States Patent [19]

[11] Patent Number: **Des. 342,988**

**Jans**

[45] Date of Patent: **\*\* Jan. 4, 1994**

[54] FAUCET HANDLE

D. 325,959	5/1992	Kolada	.....	D23/252
D. 327,119	6/1992	Kohler, Jr.	.....	D23/252
D. 327,533	6/1992	Caywood	.....	D23/252
D. 331,450	12/1992	Haug et al.	.....	D23/252

[75] Inventor: **Franz W. Jans**, Roedermark, Fed. Rep. of Germany

[73] Assignee: **JADO Bathroom and Hardware Manufacturing Co.**, Camarillo, Calif.

### OTHER PUBLICATIONS

Domestic Engineering, Feb. 1987, p. 55.

[\*\*] Term: **14 Years**

*Primary Examiner*—James R. Largen  
*Attorney, Agent, or Firm*—H. Michael Brucker

[21] Appl. No.: **9,793**

### [57] CLAIM

[22] Filed: **Jun. 22, 1993**

The ornamental design for a faucet handle, as shown.

### Related U.S. Application Data

### DESCRIPTION

[62] Division of Ser. No. 626,180, Dec. 11, 1990, Pat. No. Des. 339,849.

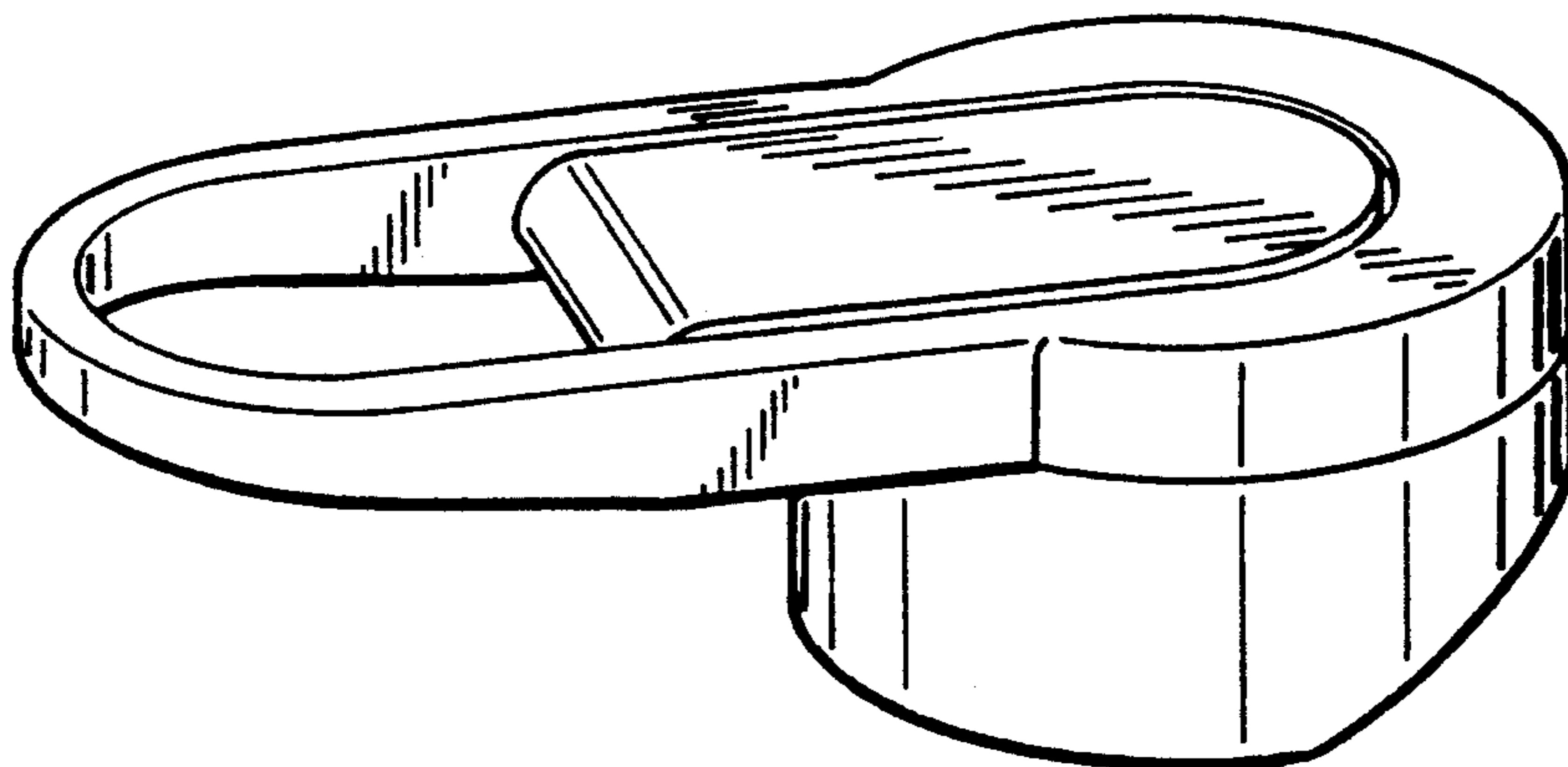
FIG. 1 is a perspective view taken from the top and right side of a faucet handle showing my new design; FIG. 2 is a left side elevational view thereof, the right side being a mirror image of the left side; FIG. 3 is a top plan view thereof; FIG. 4 is a bottom plan view thereof; FIG. 5 is a front elevational view thereof; FIG. 6 is a rear elevational view thereof; FIG. 7 is a perspective view taken from the top and right side of a second embodiment thereof; FIG. 8 is a perspective view taken from the top and right side of a third embodiment thereof; and, FIG. 9 is a perspective view taken from the top and right side of a fourth embodiment there.

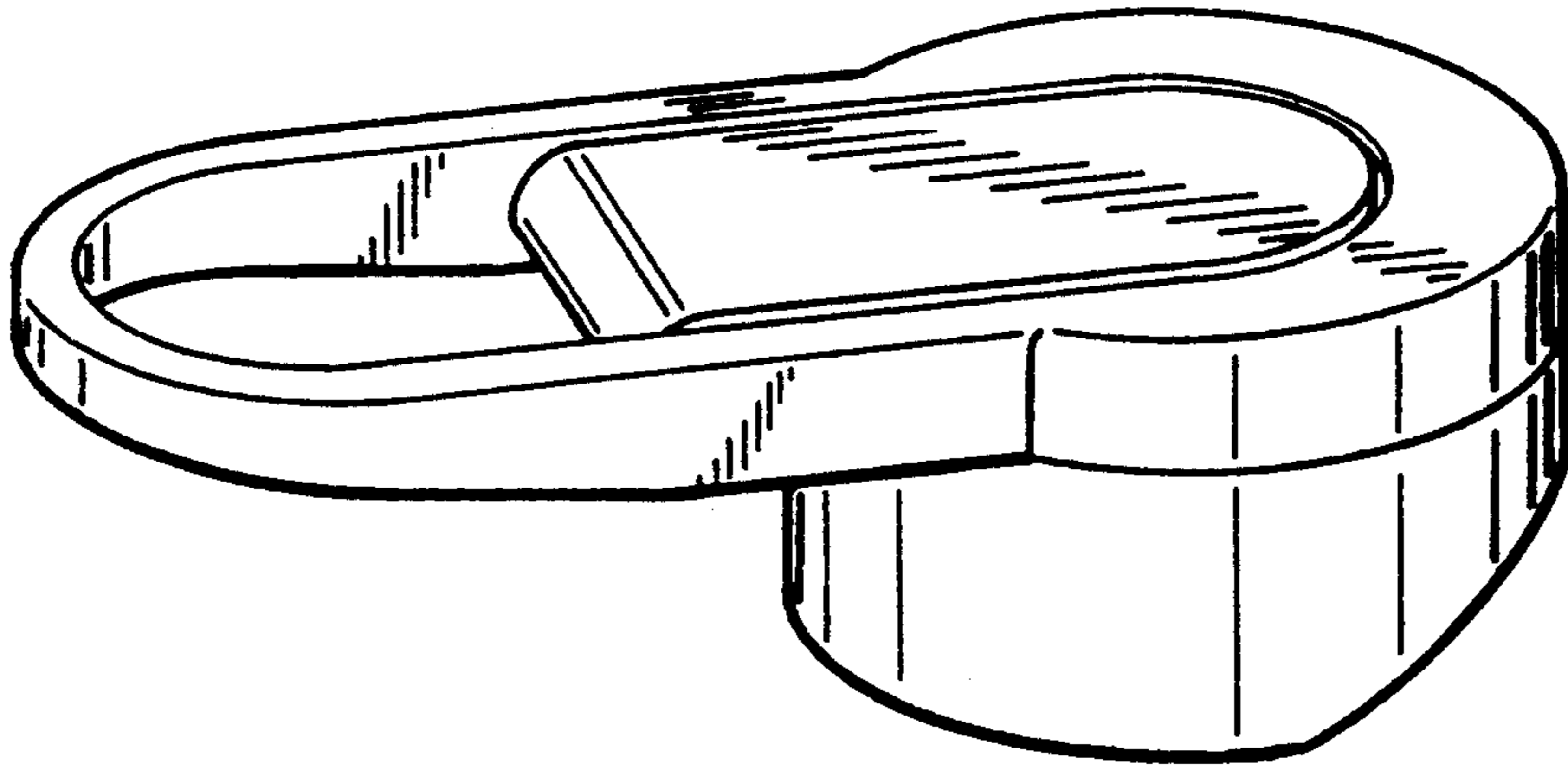
[52] U.S. Cl. .... **D23/252**  
 [58] Field of Search ..... 4/675-678;  
 D8/300, 307-312; 16/116, 121; D23/238-257

### [56] References Cited

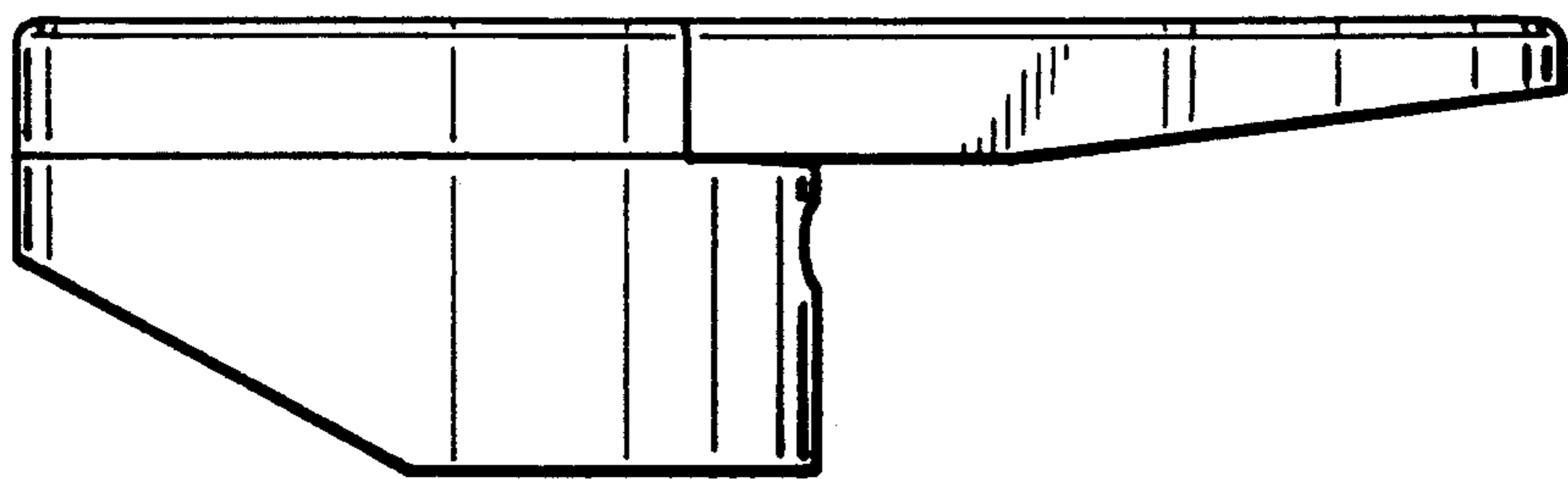
#### U.S. PATENT DOCUMENTS

D. 254,088	1/1980	Haug	.....	D23/252
D. 291,238	8/1987	Haug et al.	.....	D23/252
D. 303,565	9/1989	Paul	.....	D23/242
D. 314,228	1/1991	Haug et al.	.....	D23/238
D. 324,095	2/1992	Grohe	.....	D23/238
D. 324,904	3/1992	Haug et al.	.....	D23/238





*FIG. 1*



*FIG. 2*

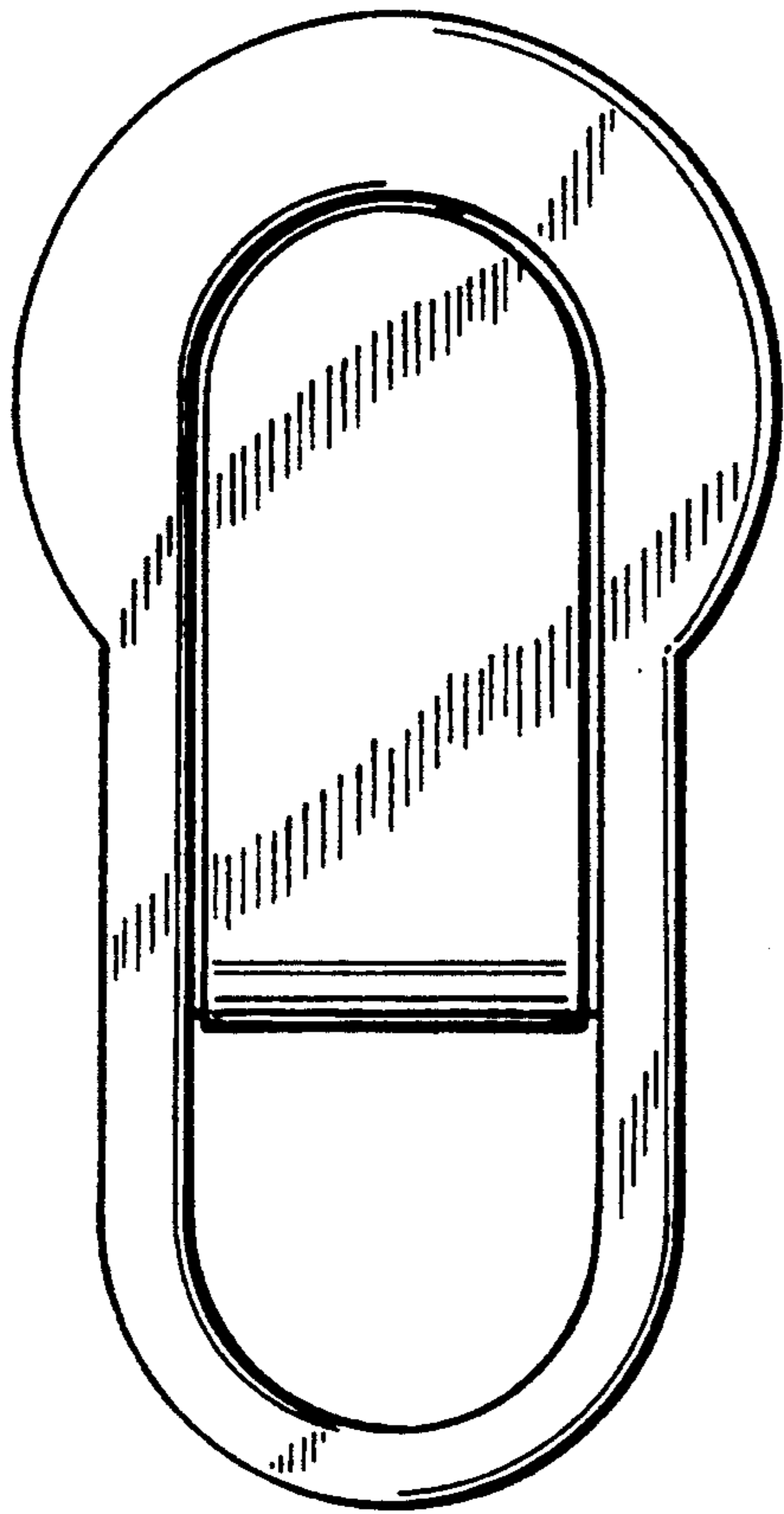


FIG.\_3

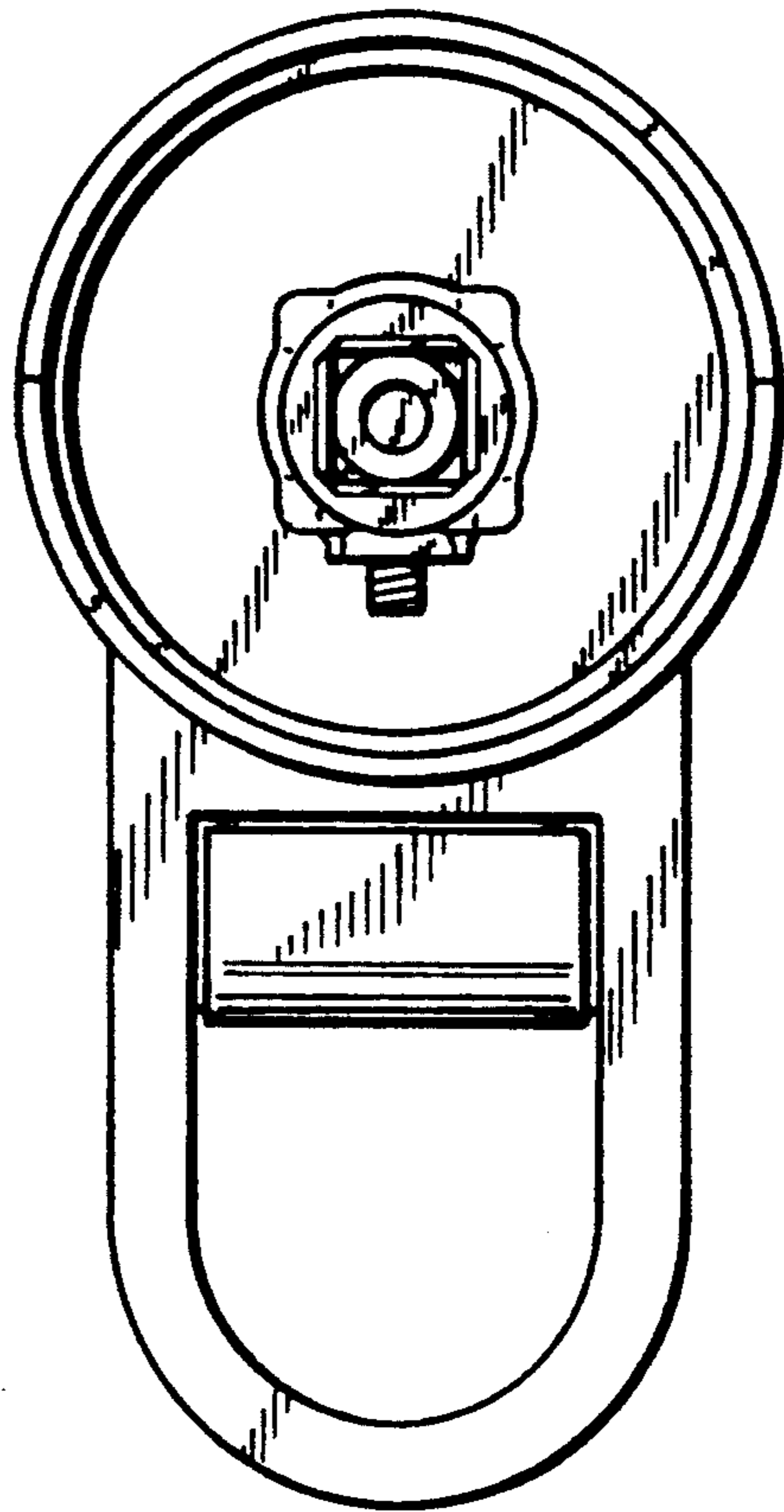


FIG.\_4

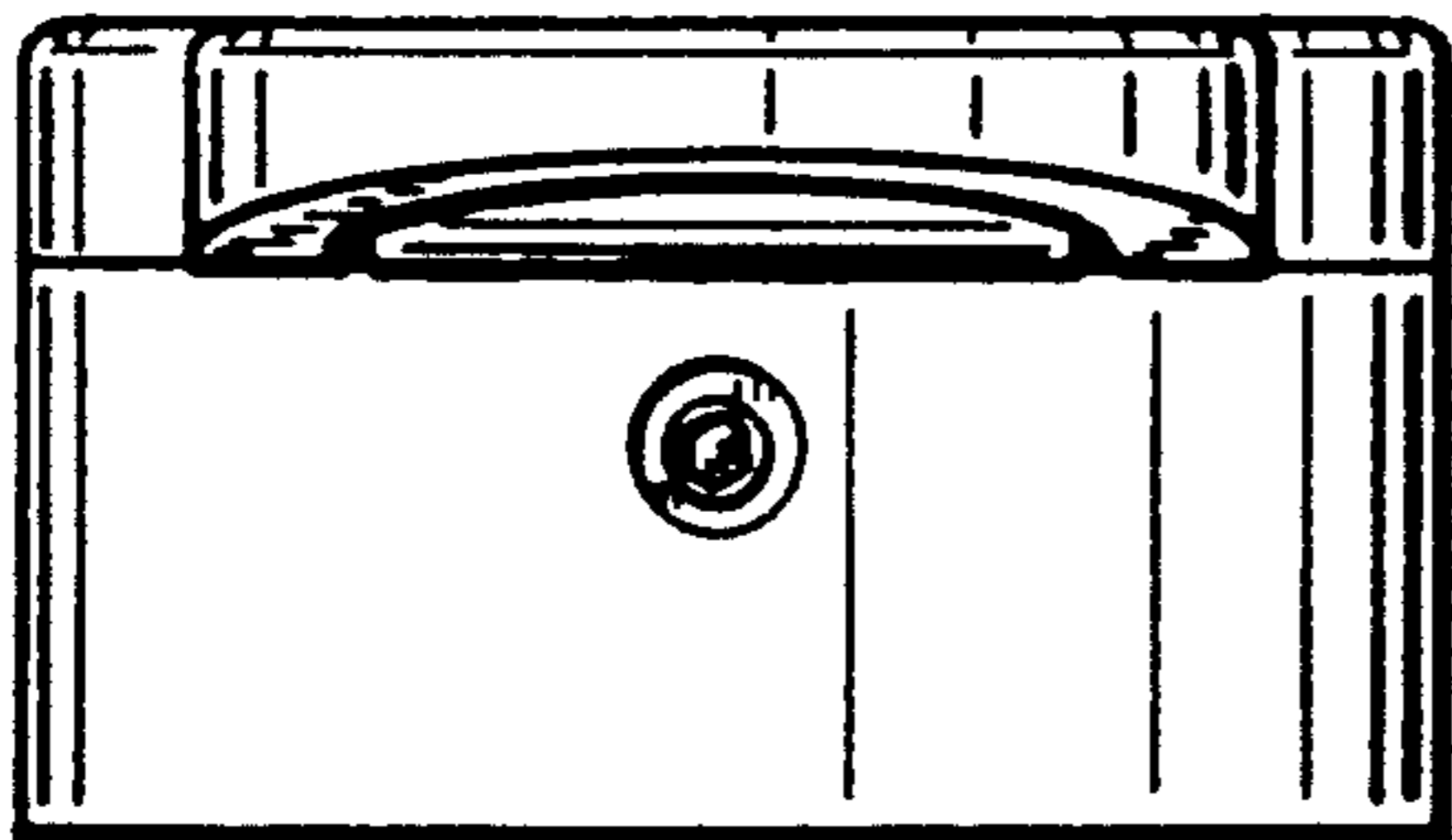


FIG.\_5

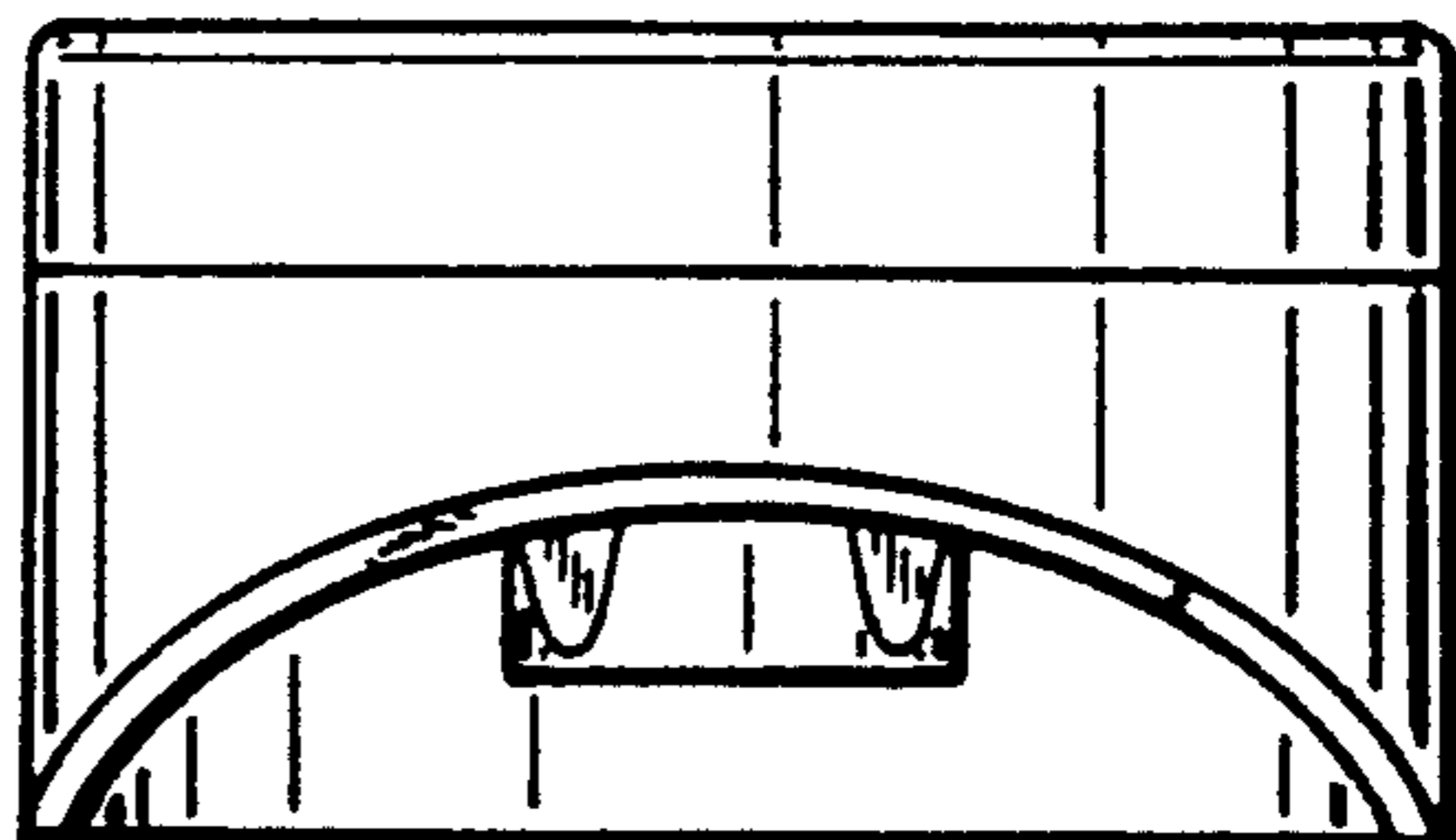


FIG.\_6

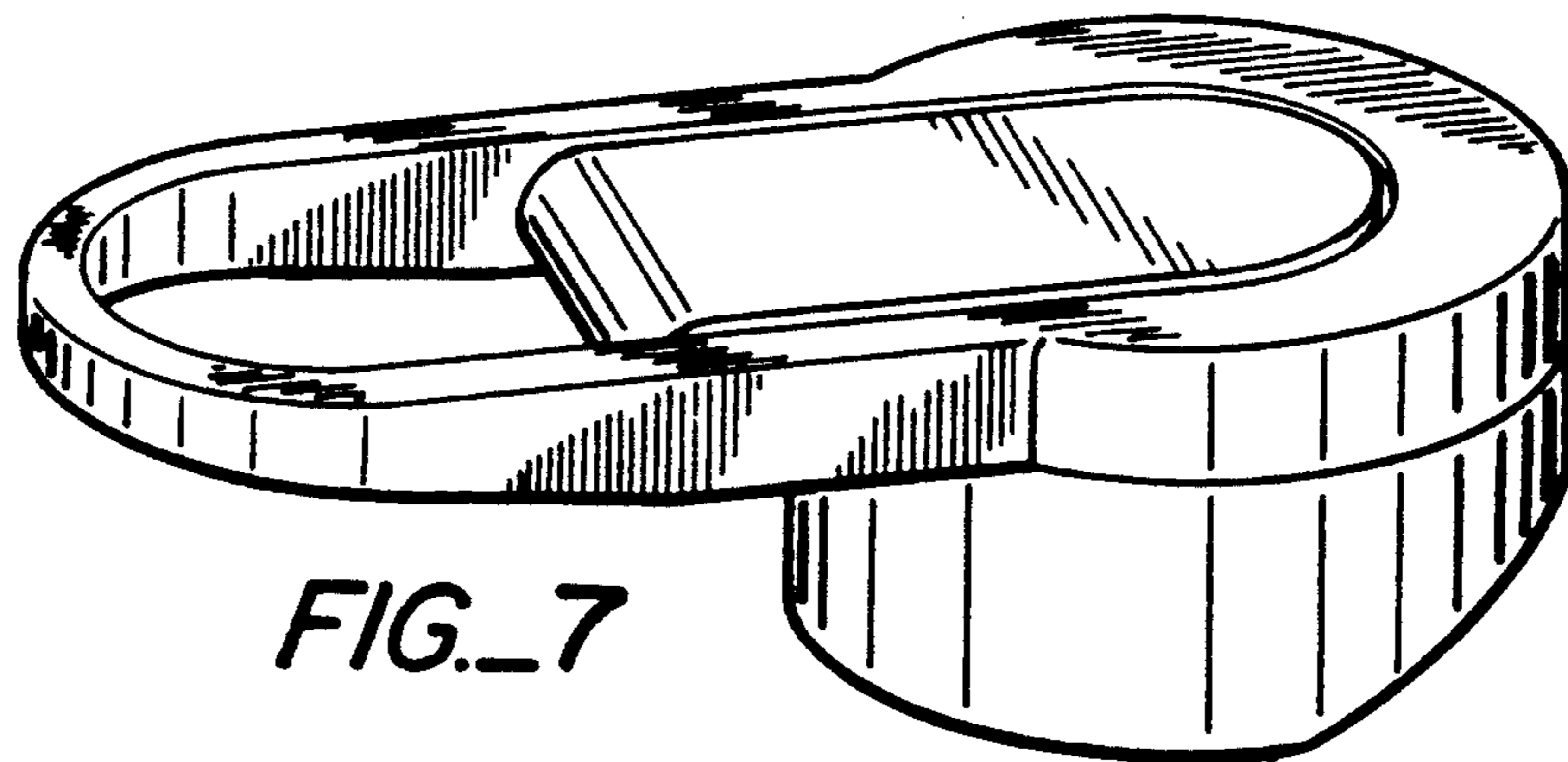


FIG.\_7

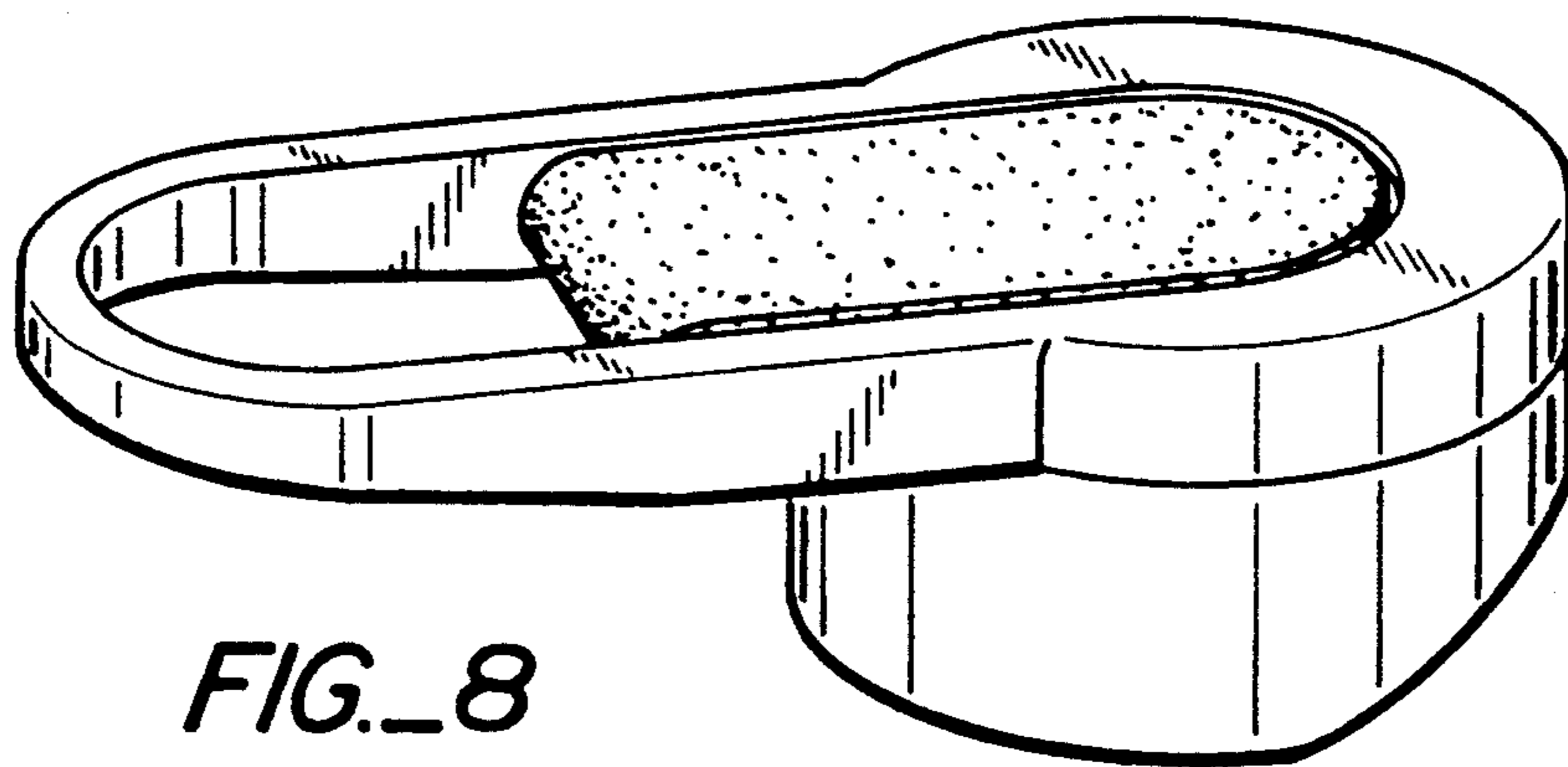


FIG.\_8

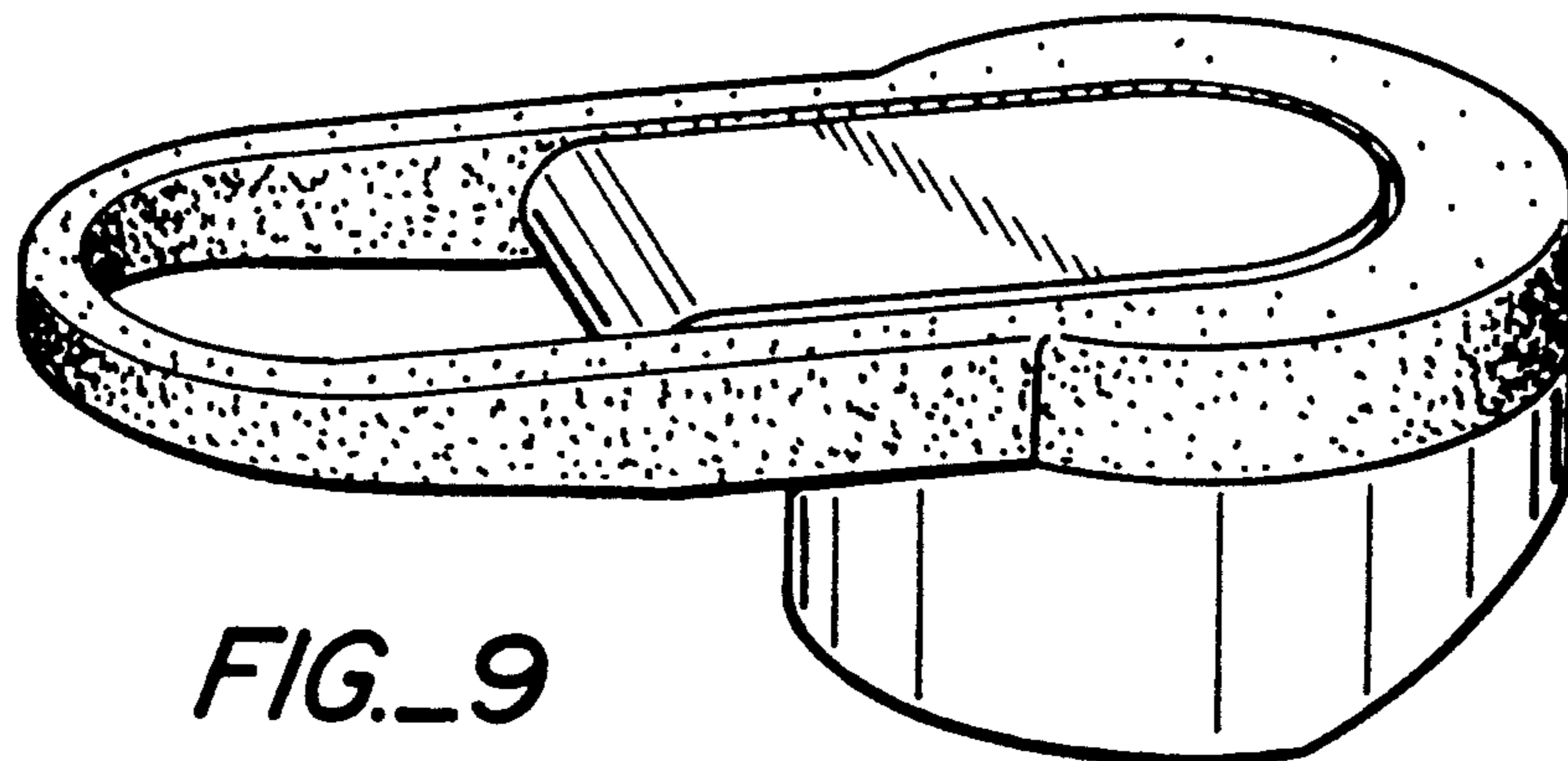


FIG.\_9