



US00D342986S

United States Patent [19]
Kurth

[11] **Patent Number: Des. 342,986**
[45] **Date of Patent: ** Jan. 4, 1994**

[54] **COVER FOR A FAUCET MOUNTED WATER FILTER**

[75] **Inventor: Mark Kurth, Hammond, Ind.**

[73] **Assignee: Omni Corporation, Hammond, Ind.**

[**] **Term: 14 Years**

[21] **Appl. No.: 829,741**

[22] **Filed: Jan. 31, 1992**

[52] **U.S. Cl. D23/209**

[58] **Field of Search 210/97, 198.1, 205-6, 231, 244-6, 257.1-2, 258, 260-1, 275, 282, 287-90, 295, 321.6, 321.78, 348, 416.3, 443-9; D23/207-**

4,686,037 8/1987 Lang 210/288 X
4,770,768 9/1988 Lang .
4,814,078 3/1989 Stern et al. .
4,839,039 6/1989 Parsons et al. .
4,895,648 1/1990 Hankammer .

Primary Examiner—Wallace R. Burke
Assistant Examiner—M. H. Tung
Attorney, Agent, or Firm—Leydig, Voit & Mayer

[57] **CLAIM**

The ornamental design for a cover for a faucet mounted water filter, as shown and described.

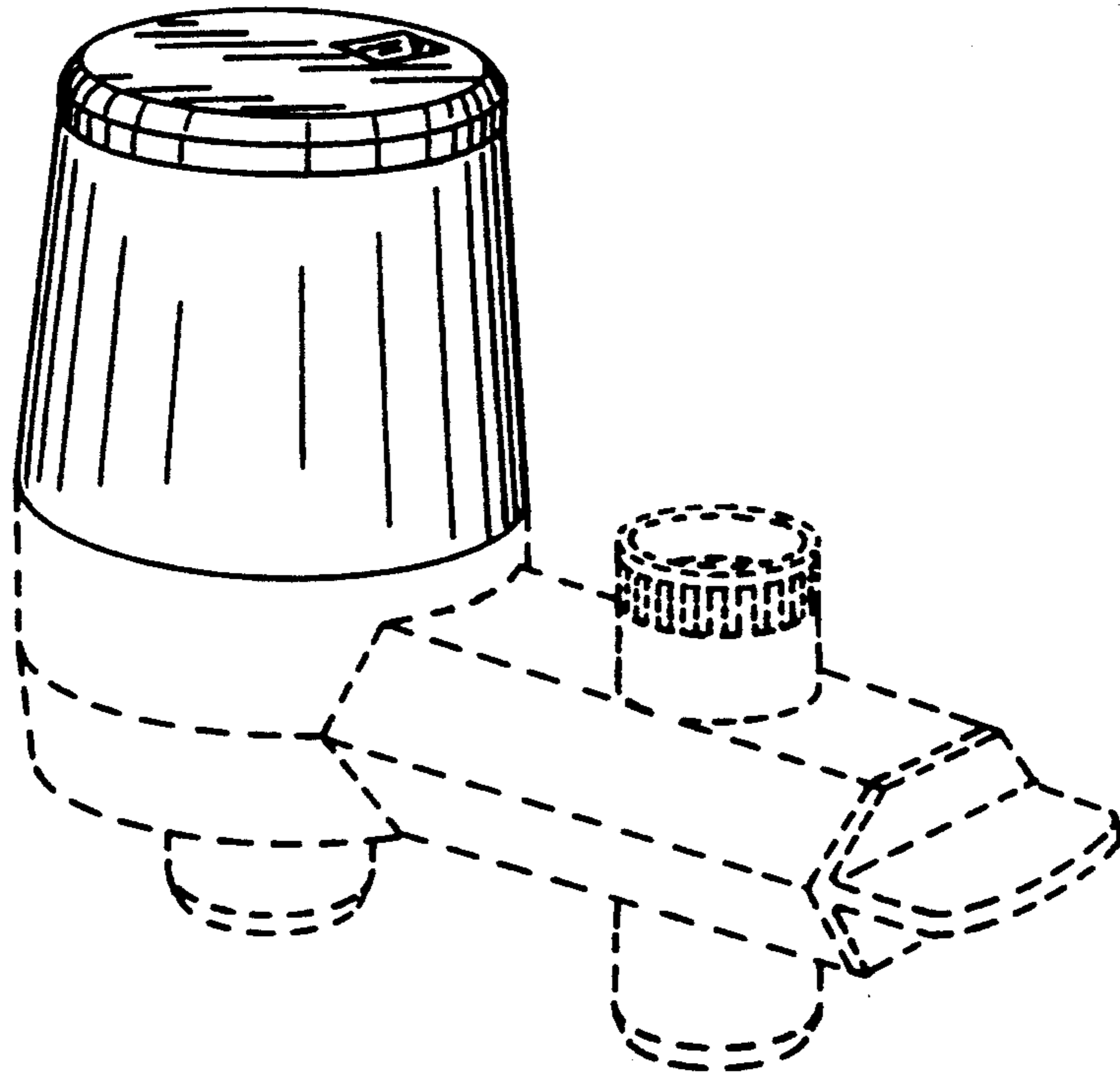
DESCRIPTION

FIG. 1 is a perspective view of a cover for a faucet mounted water filter showing my new design, the broken line drawing of a filter unit is shown for illustrative purposes only and forms no part of the claimed design; FIG. 2 is a front elevational view thereof, the rear view being a mirror image; FIG. 3 is a top plan view thereof; FIG. 4 is a bottom plan view thereof; FIG. 5 is a right side elevational view thereof; and, FIG. 6 is the left side elevational view thereof.

[56] **References Cited**

U.S. PATENT DOCUMENTS

D. 224,105 7/1972 Turhino D23/209
D. 277,305 1/1985 Grube D23/209
D. 285,958 9/1986 Koizumi et al. D23/209
D. 328,942 8/1992 Igami et al. D23/209
4,172,796 10/1979 Corder .
4,504,389 3/1985 Ramdzaitis .



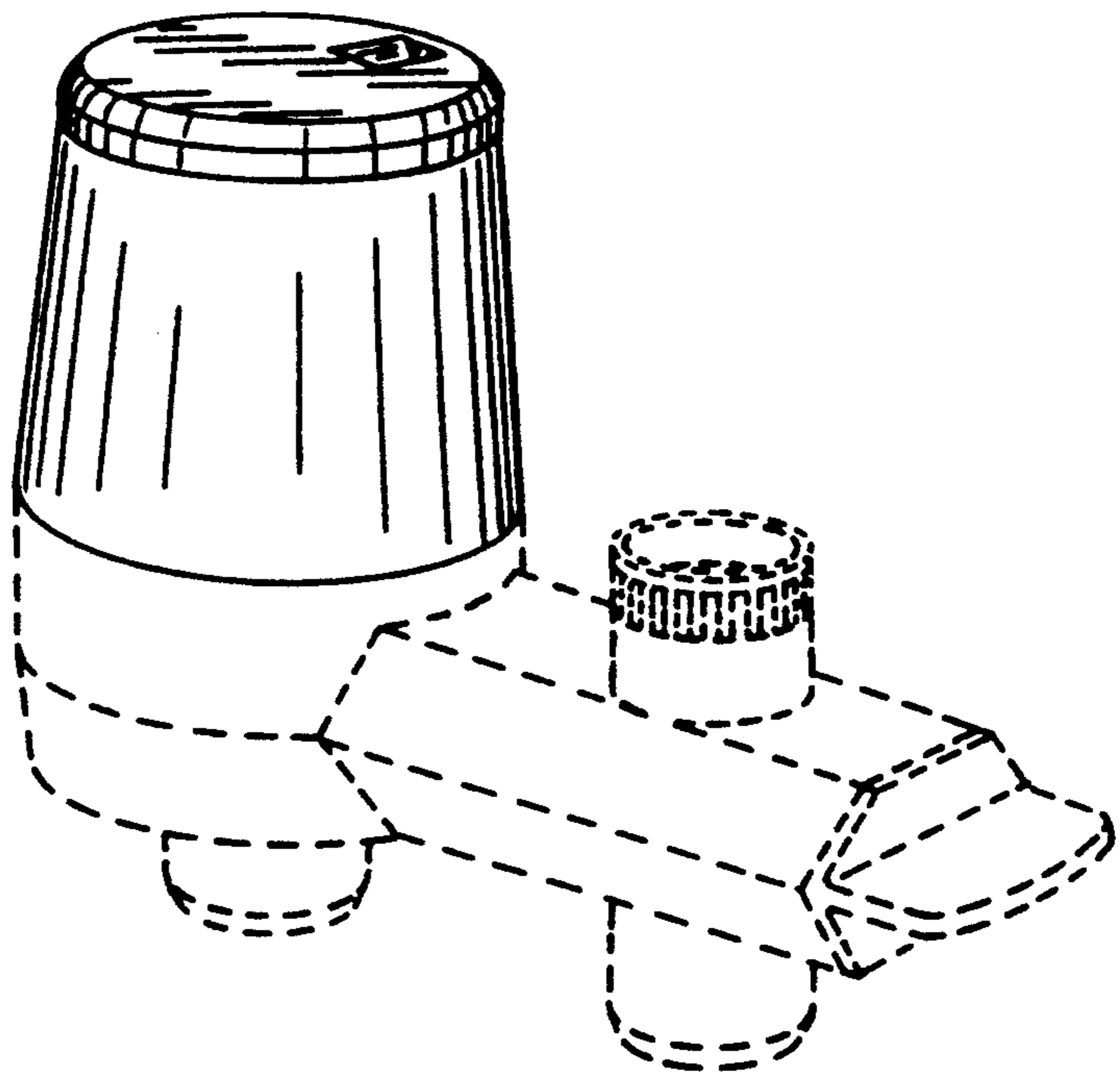


FIG. 1

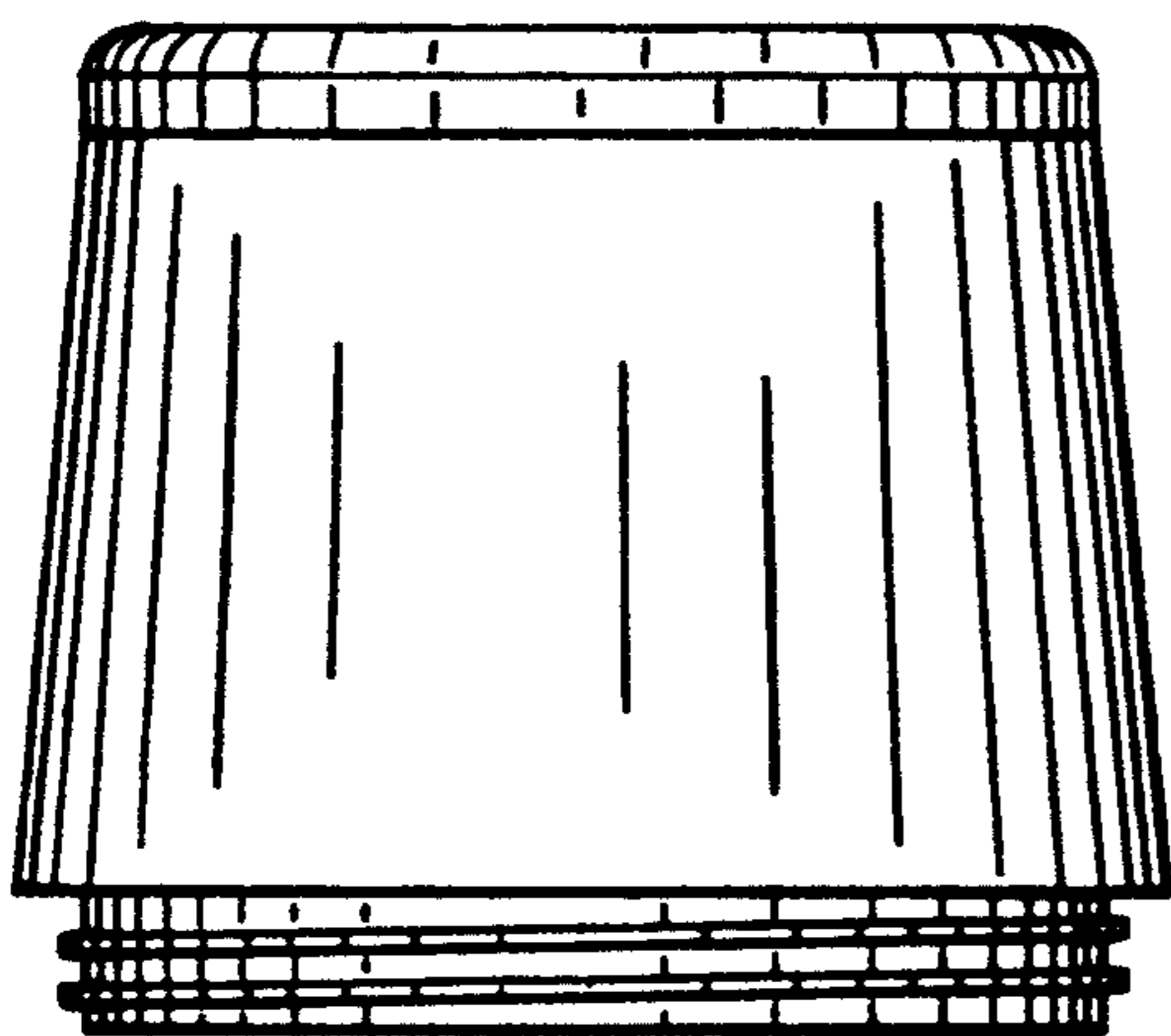


FIG. 2

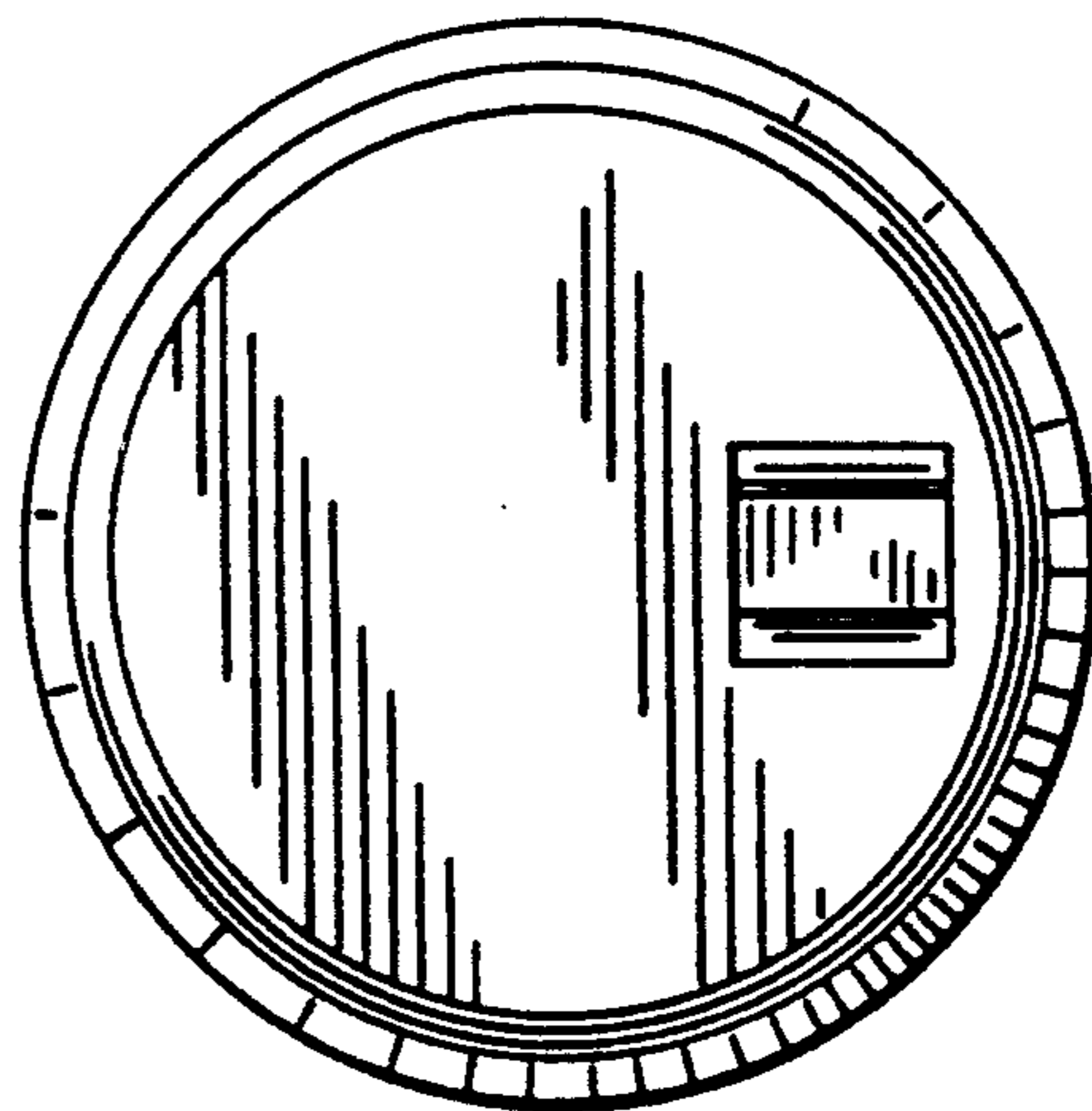


FIG. 3

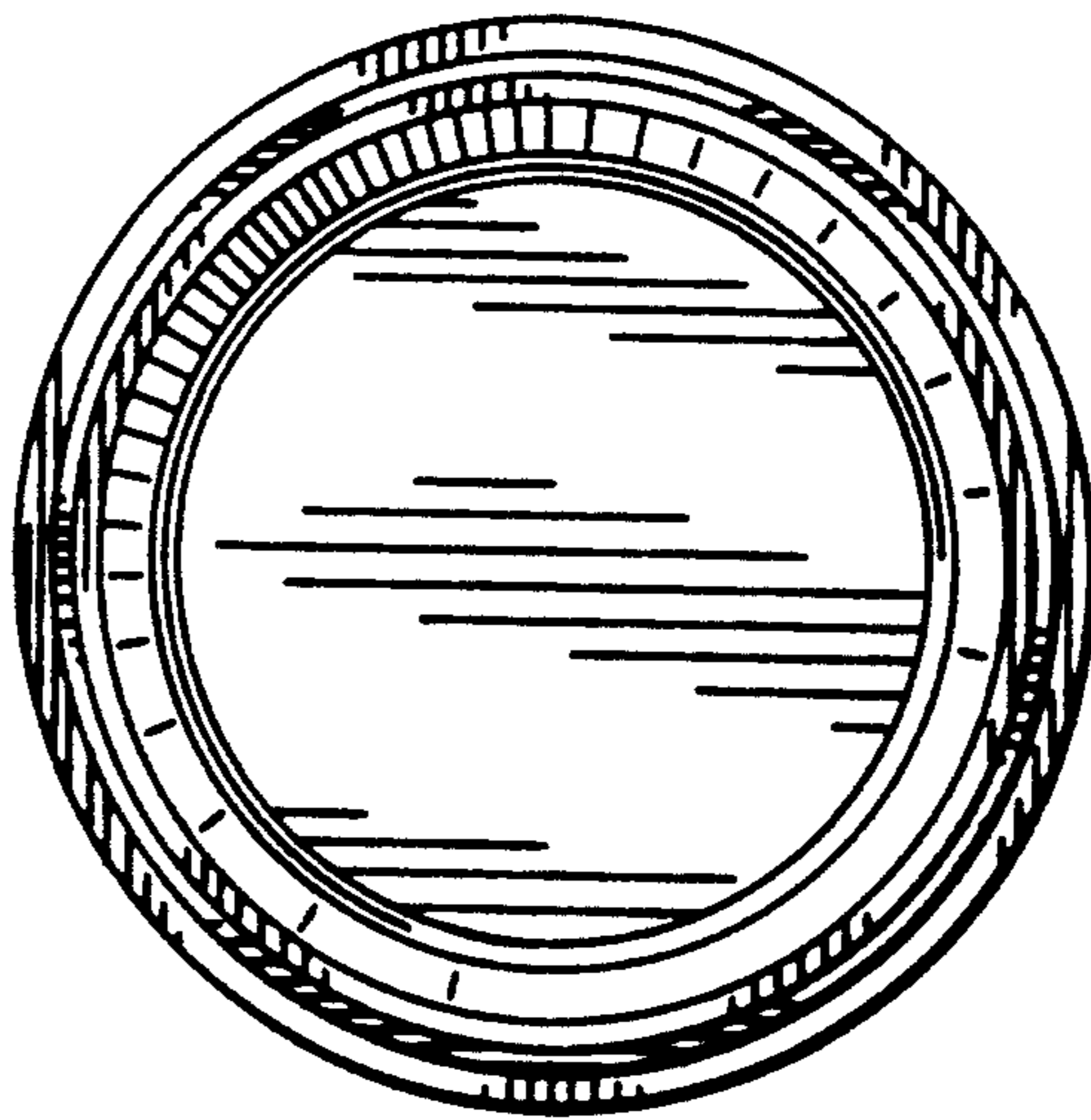


FIG. 4

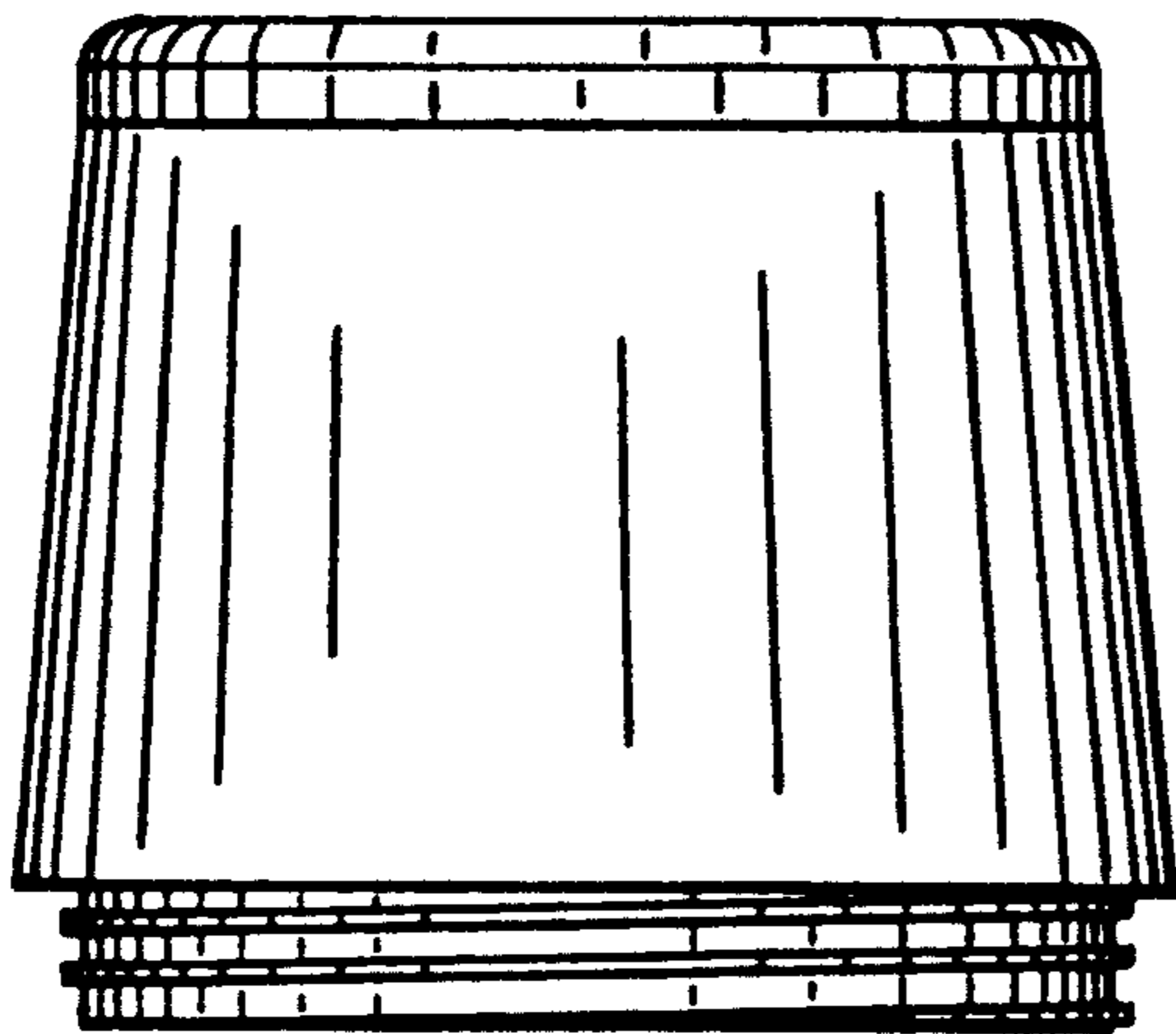


FIG. 5

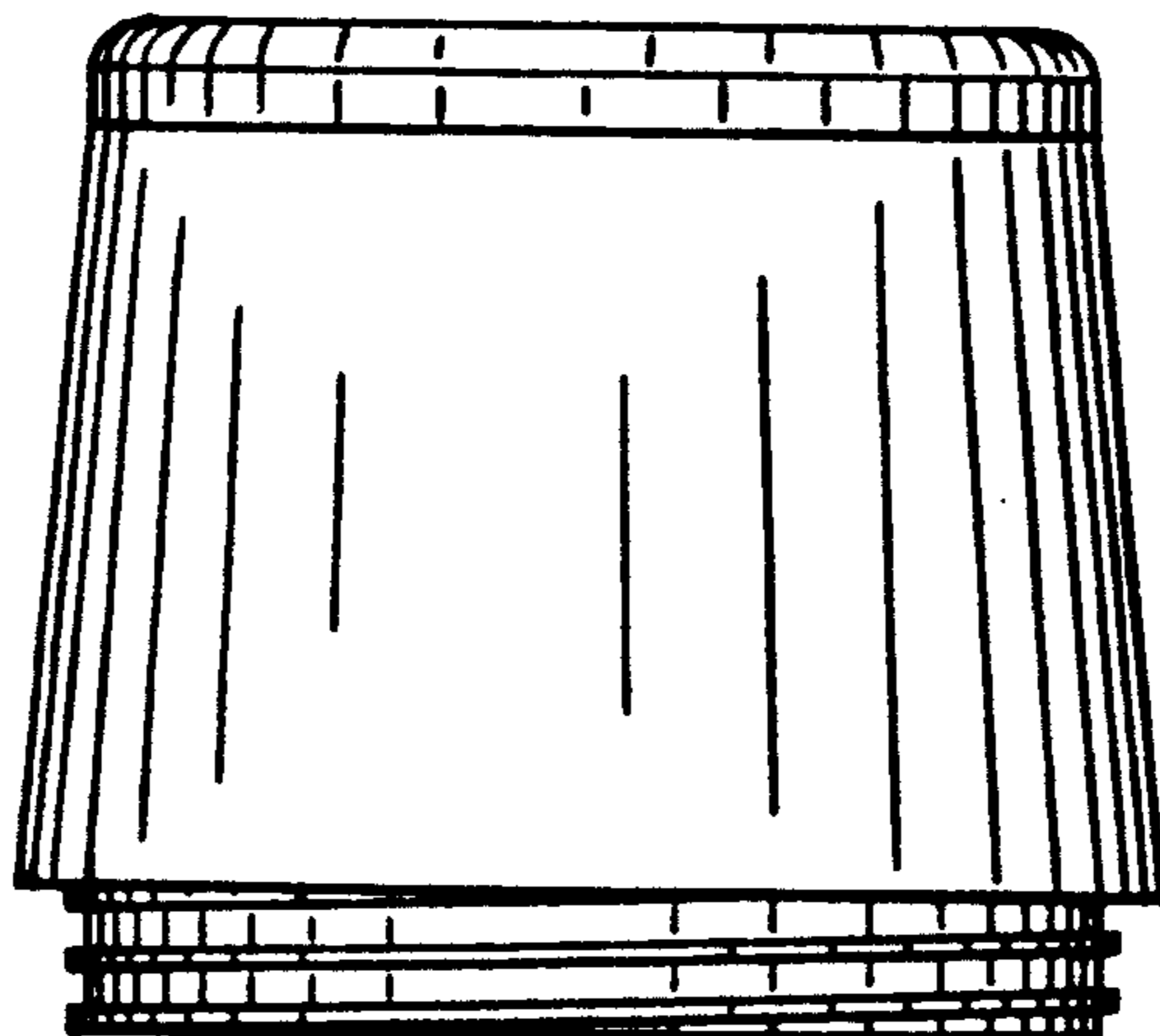


FIG. 6