



US00D342981S

United States Patent [19]

[11] Patent Number: **Des. 342,981**

D'Andrade

[45] Date of Patent: **** Jan. 4, 1994**

[54] **ACTION FIGURE**

D. 288,831 3/1987 Man D21/150
D. 290,147 6/1987 Appel D21/150

[76] Inventor: **Bruce M. D'Andrade**, 3 Ten Eyck Rd., Whitehouse Sta., N.J. 08889

Primary Examiner—Melvin B. Feifer
Attorney, Agent, or Firm—Kenneth P. Glynn

[**] Term: **14 Years**

[57] **CLAIM**

[21] Appl. No.: **881,378**

The ornamental design for an action figure, as shown and described.

[22] Filed: **May 11, 1992**

[52] U.S. Cl. **D21/150**

[58] Field of Search 273/97, 268, 290-92, 376;
D21/150

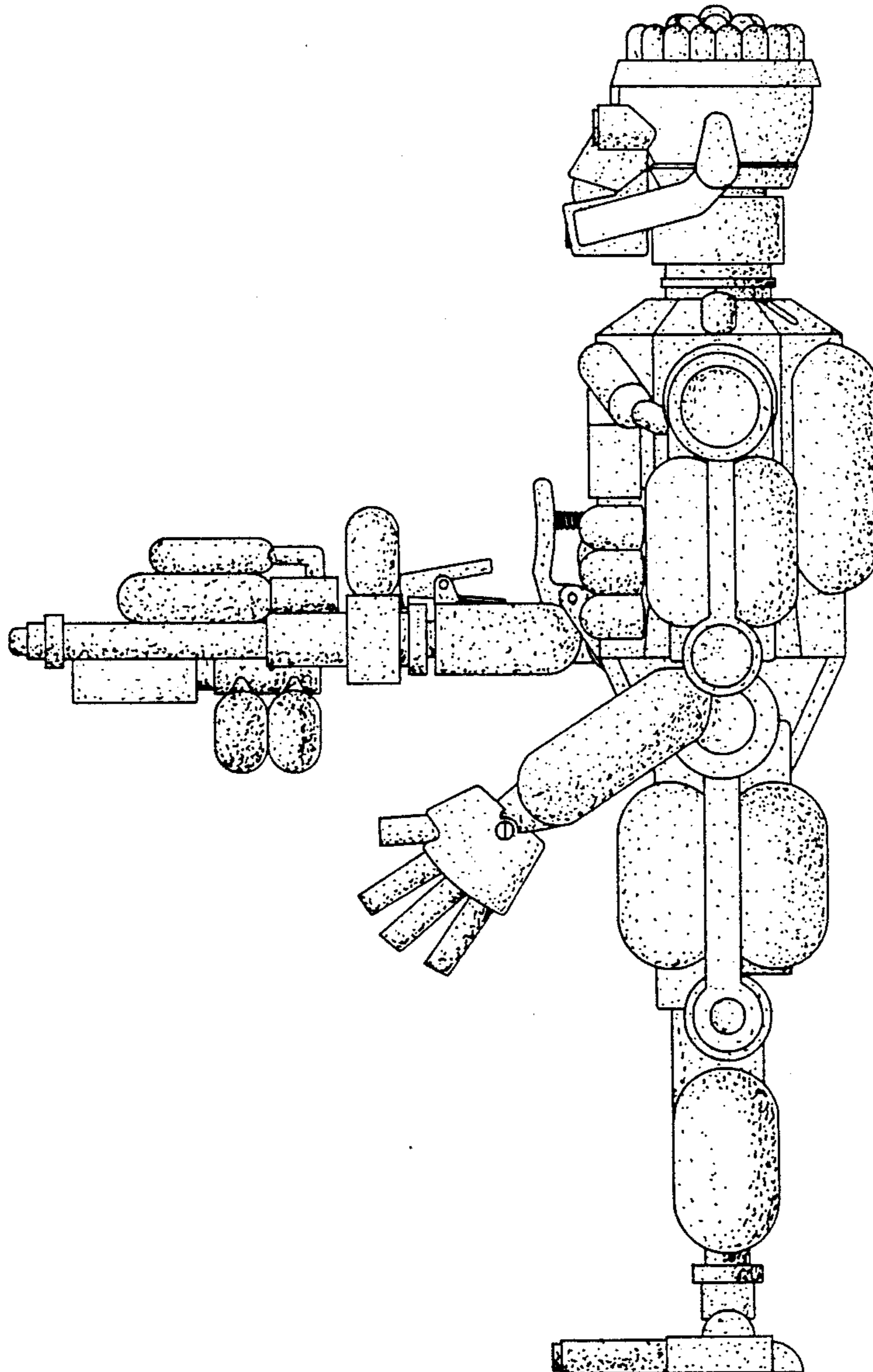
DESCRIPTION

[56] **References Cited**

U.S. PATENT DOCUMENTS

D. 265,331 7/1982 Lucas, Jr. et al. D21/150
D. 268,941 5/1983 Lucas, Jr. et al. D21/150

FIG. 1 is a front elevational of an action figure showing my new design;
FIG. 2 is a rear elevational view thereof;
FIG. 3 is a left side elevational view thereof;
FIG. 4 is a right side elevational view thereof;
FIG. 5 is a top plan view thereof; and,
FIG. 6 is a bottom plan view thereof.



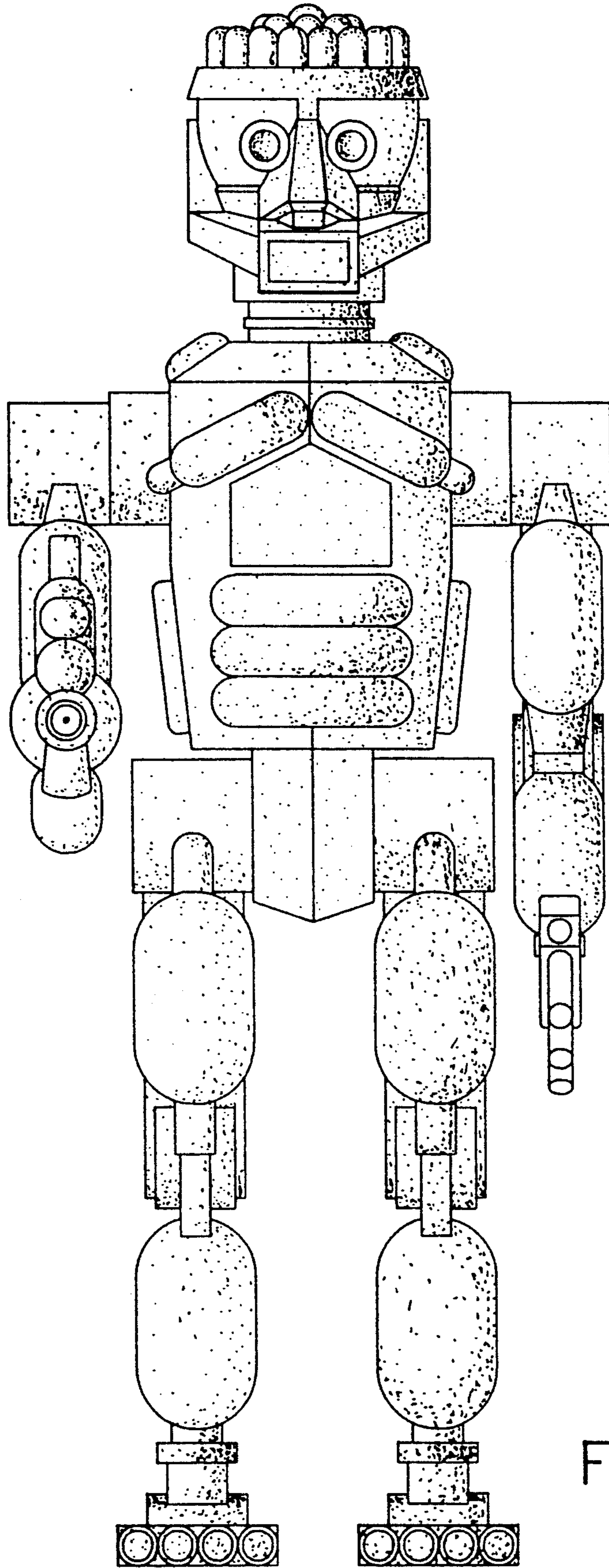


FIG. 1

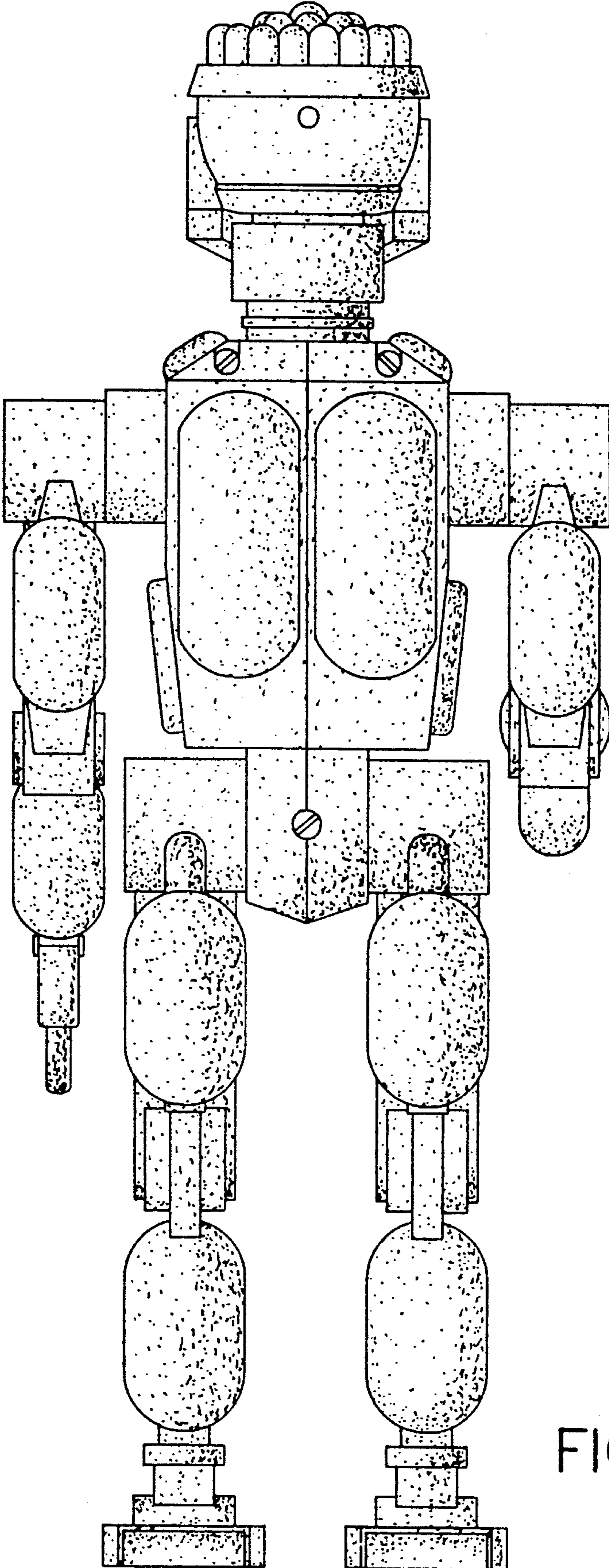


FIG. 2

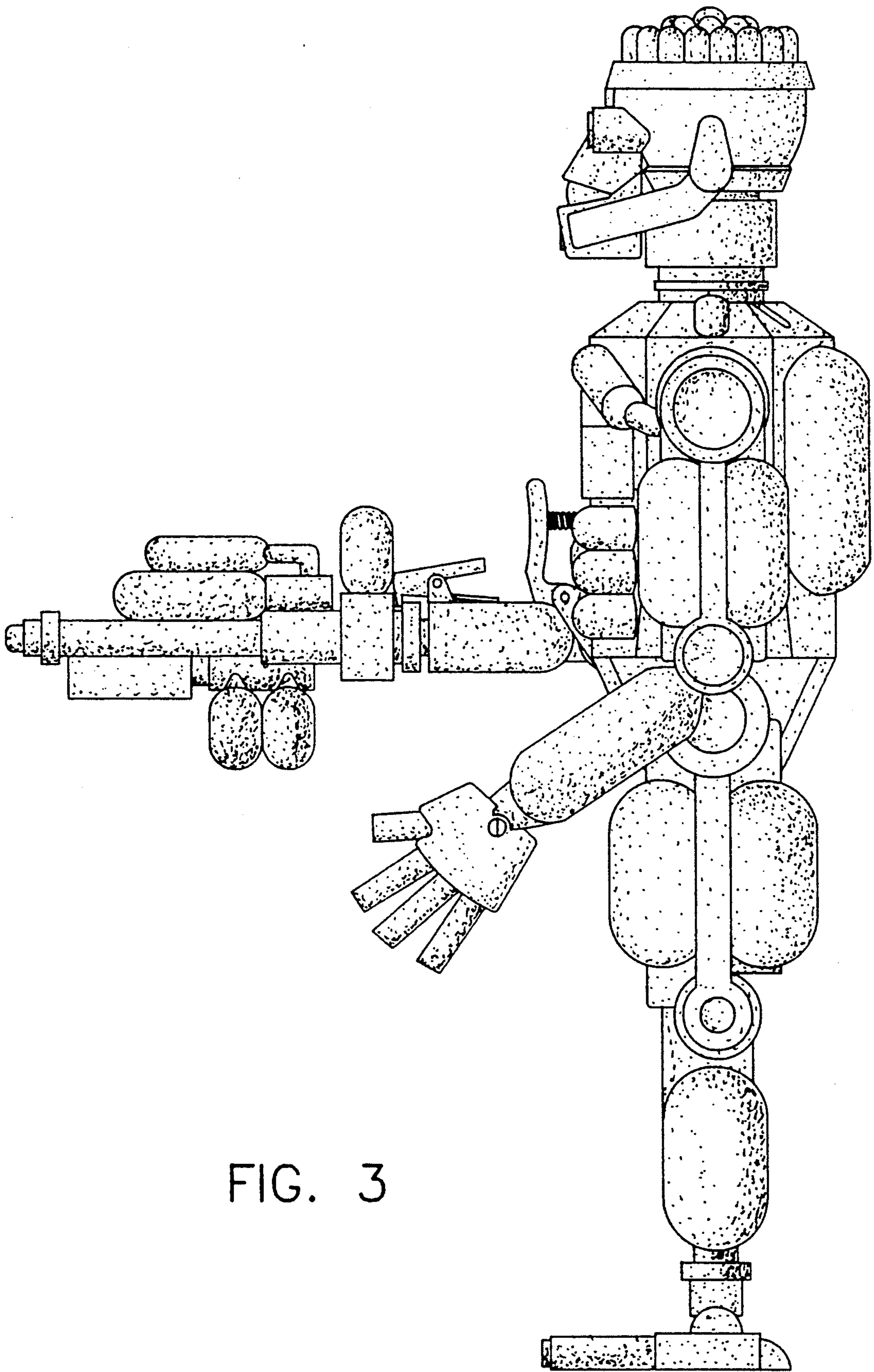


FIG. 3

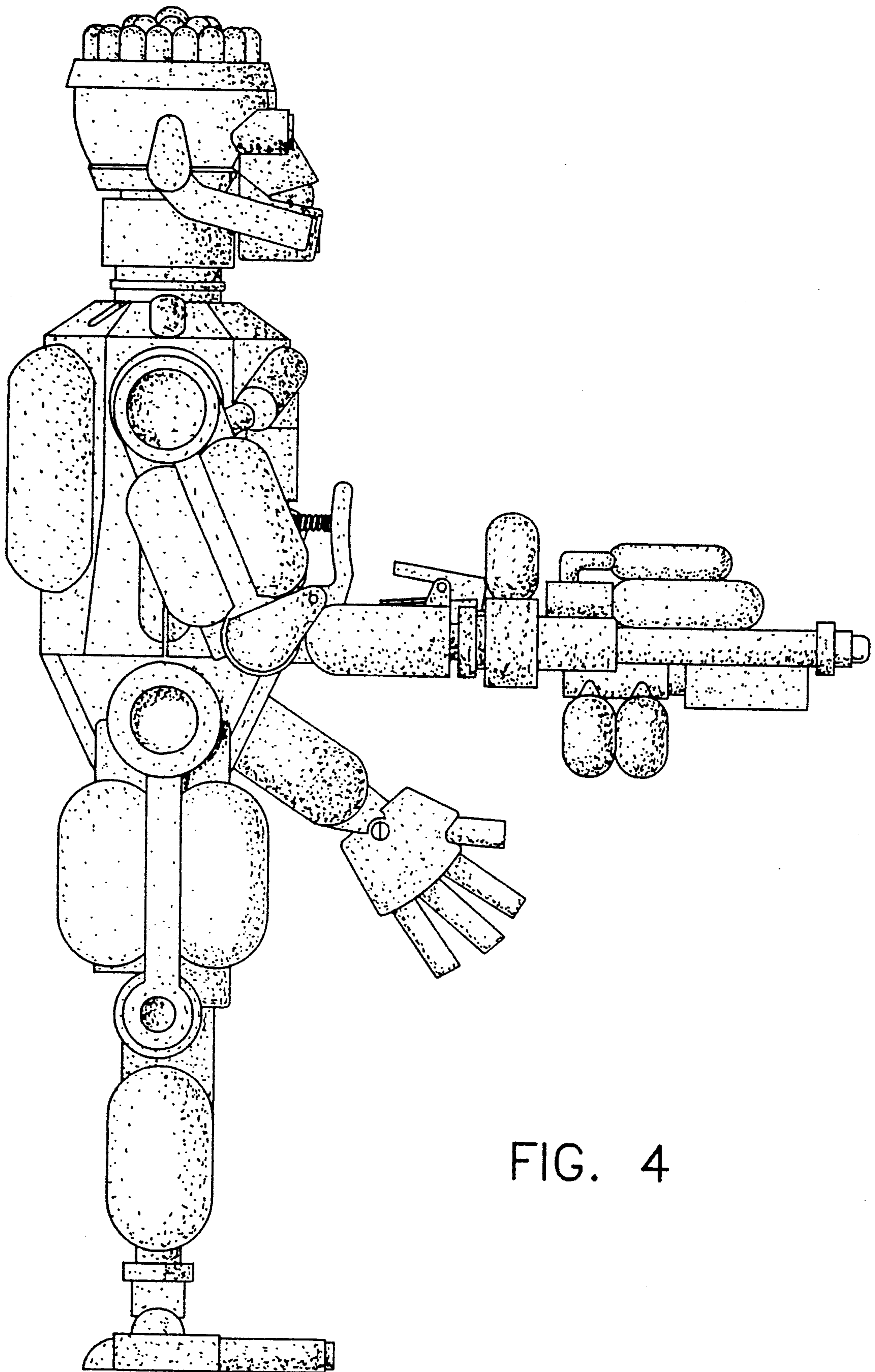


FIG. 4

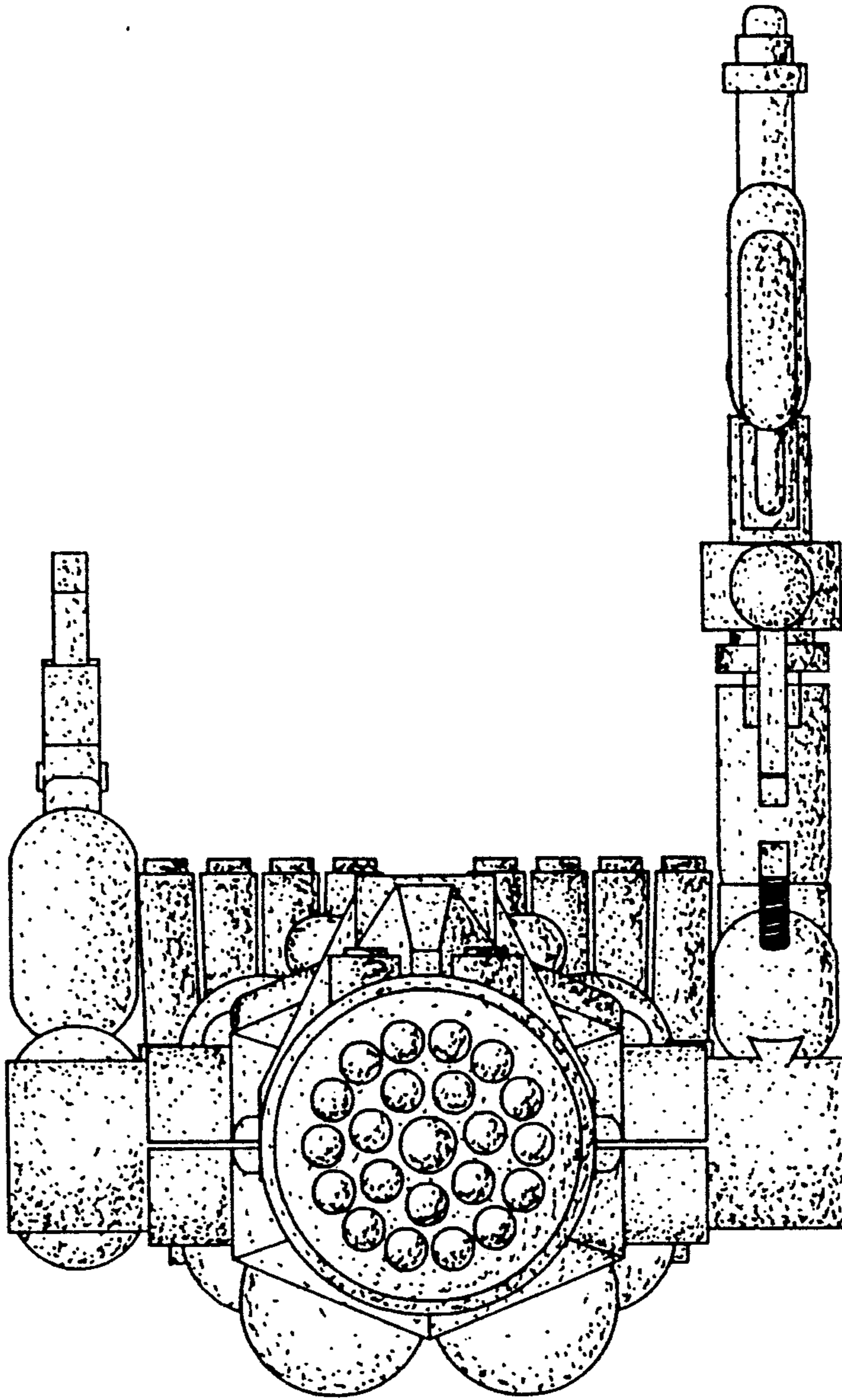


FIG. 5

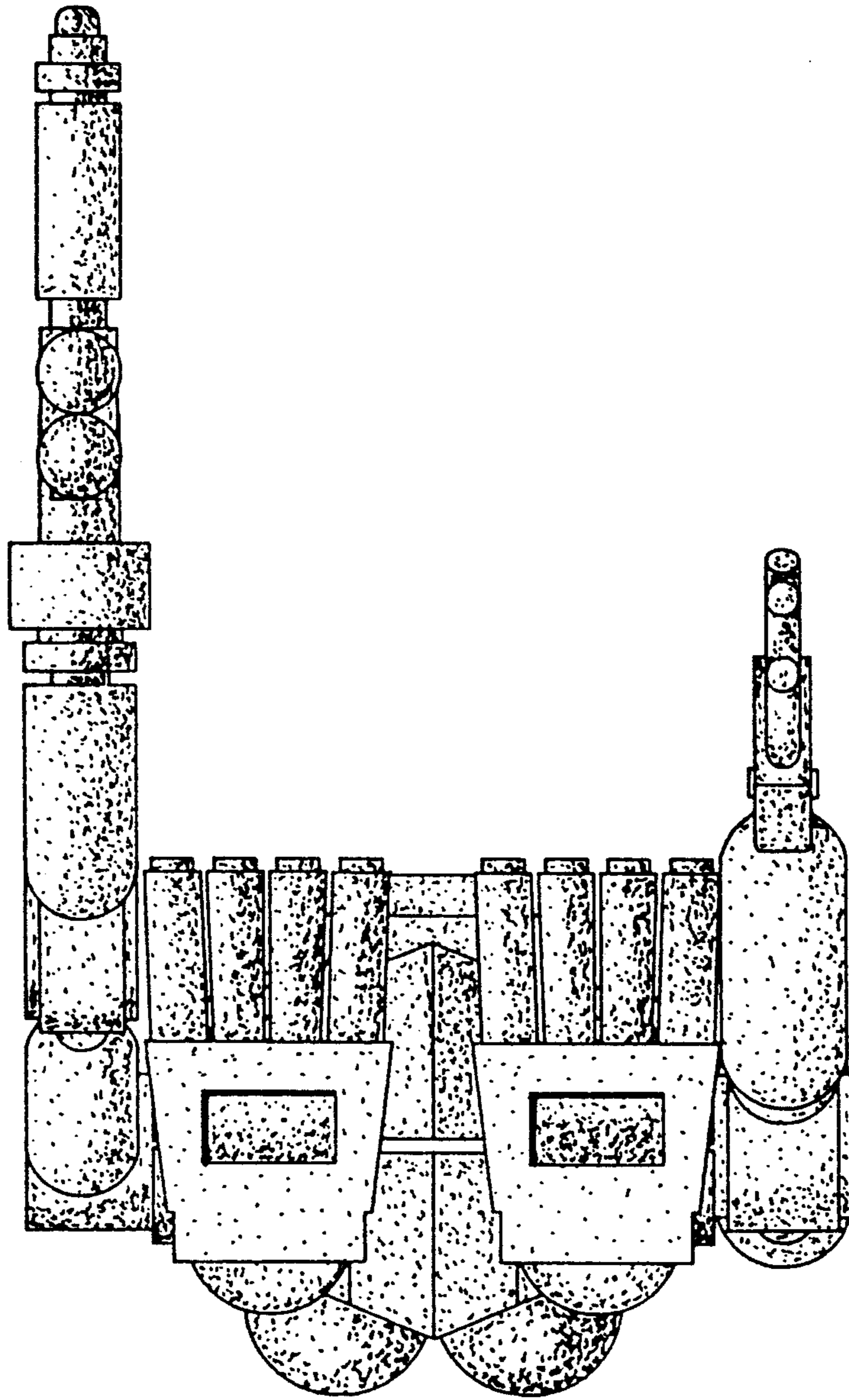


FIG. 6