



US00D342973S

# United States Patent [19]

[11] Patent Number: **Des. 342,973**

Ho

[45] Date of Patent: **\*\* Jan. 4, 1994**

[54] **CONTROLLER FOR A VIDEO GAME MACHINE**

4,969,647 11/1990 Mical et al. .... 273/DIG. 28 X  
5,059,958 10/1991 Jacobs et al. .... 273/148 B X  
5,207,426 5/1993 Inoue et al. .... 273/438 X

[75] Inventor: **Patrick T. Ho, Kwai Chung, Hong Kong**

### OTHER PUBLICATIONS

Playthings, Sep. 1, 1988, p. 49, shown by arrow.  
Hong Kong Enterprise, Oct. 1990, p. 813, Item #QS-127.

[73] Assignee: **STD Electronic International Ltd., Hong Kong**

*Primary Examiner*—Prabhakar G. Deshmukh  
*Attorney, Agent, or Firm*—Burns, Doane, Swecker & Mathis

[\*\*] Term: **14 Years**

[21] Appl. No.: **1,689**

[22] Filed: **Nov. 20, 1992**

### [57] CLAIM

### [30] Foreign Application Priority Data

Jun. 22, 1992 [GB] United Kingdom ..... 2023752

The ornamental design for controller for a video game machine, as shown and described.

[52] U.S. Cl. .... **D21/48**

[58] Field of Search .... 273/148B; 433-438, DIG. 28; D21/48, 13, D21/1; D14/114, 125, 126, 217, 218

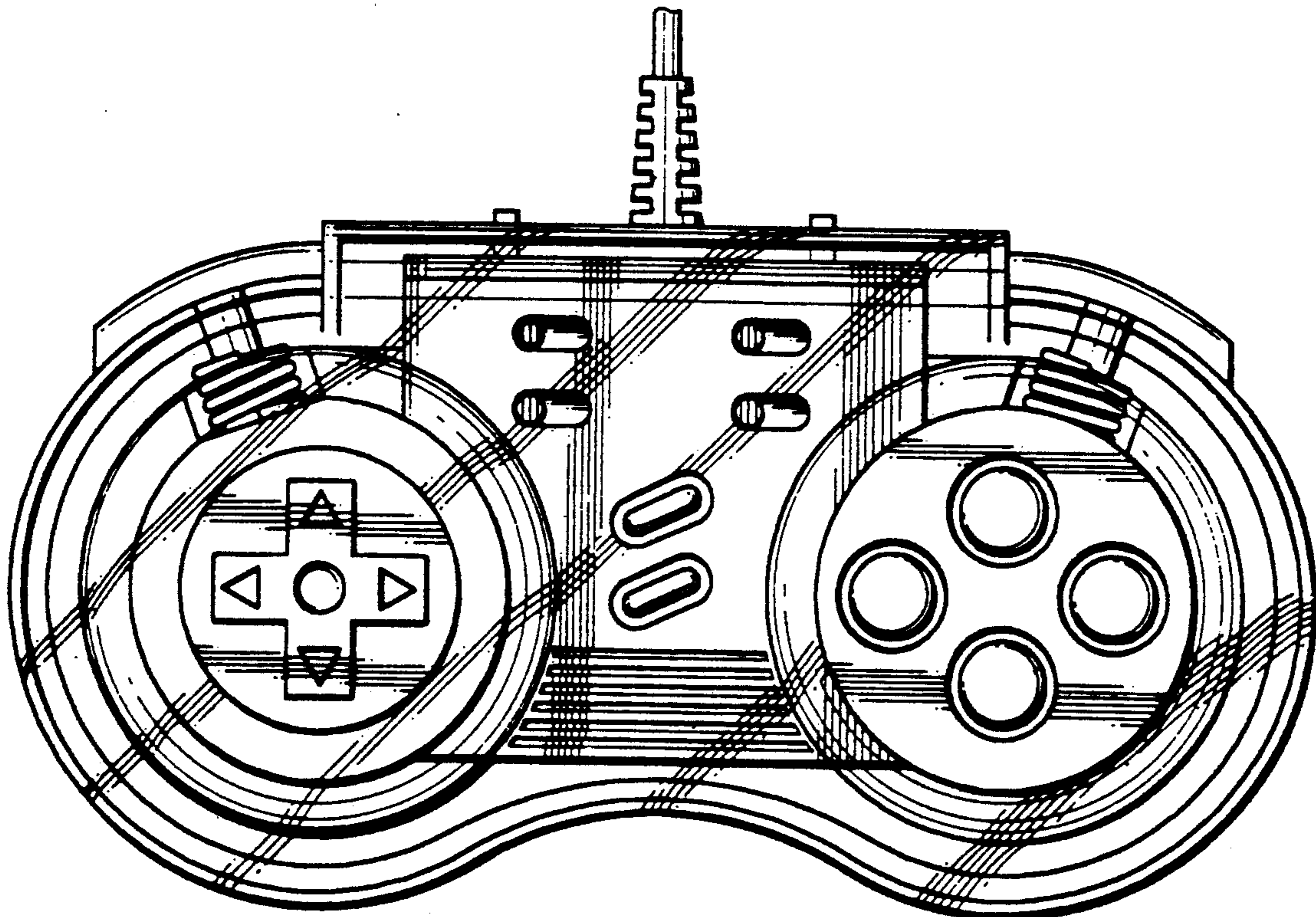
### DESCRIPTION

### [56] References Cited

#### U.S. PATENT DOCUMENTS

D. 314,193 1/1991 Ishihara et al. .... D14/11 X  
D. 325,225 4/1992 Adhida et al. .... D21/48  
4,552,360 11/1985 Bromley et al. .... 273/438 X

FIG. 1 is a front elevational view of a controller for a video game machine showing my new design;  
FIG. 2 is the rear elevational view thereof;  
FIG. 3 is the left side view thereof;  
FIG. 4 is the right side view thereof;  
FIG. 5 is the top plan view thereof; and,  
FIG. 6 is the bottom plan view thereof.



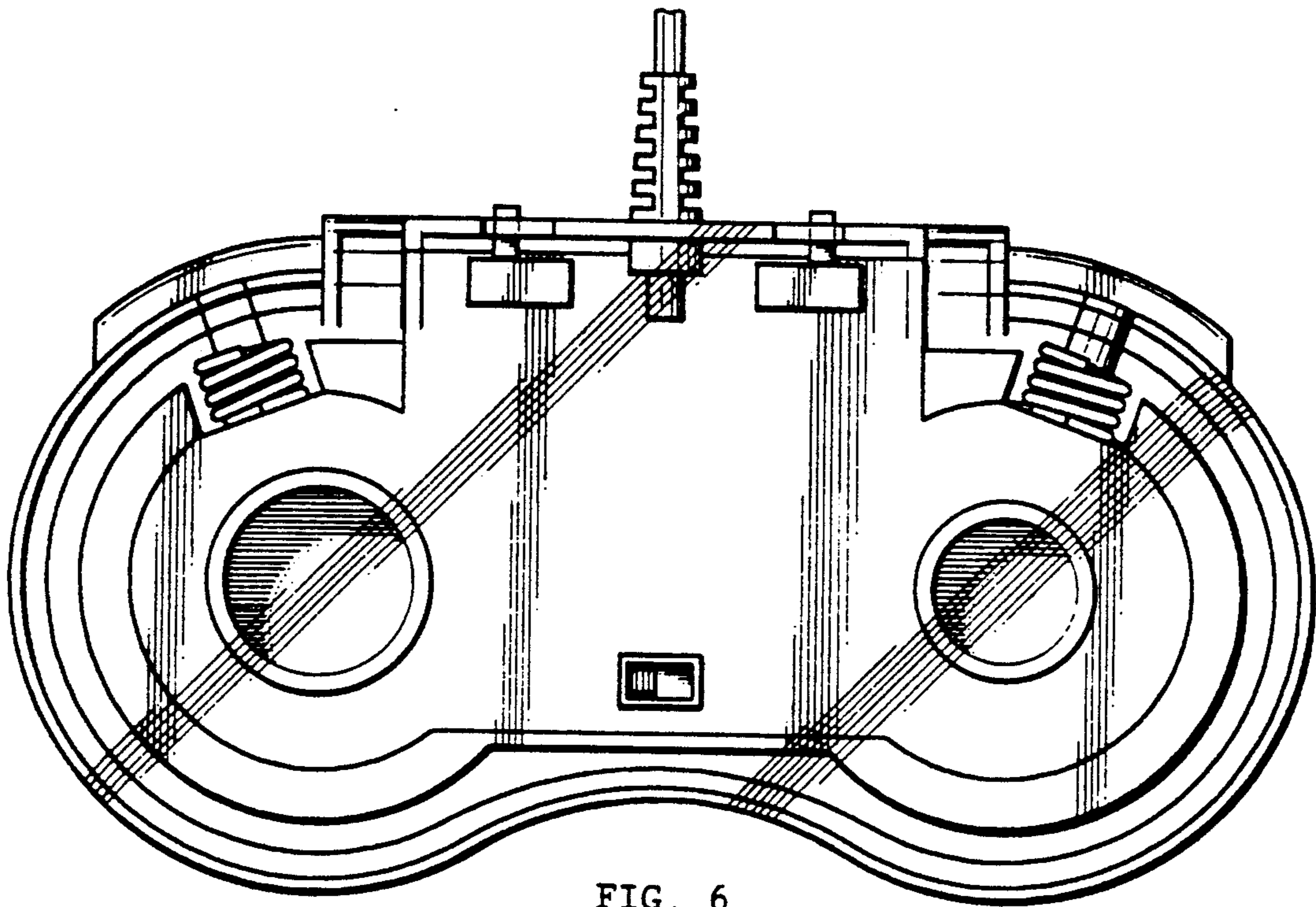


FIG. 6

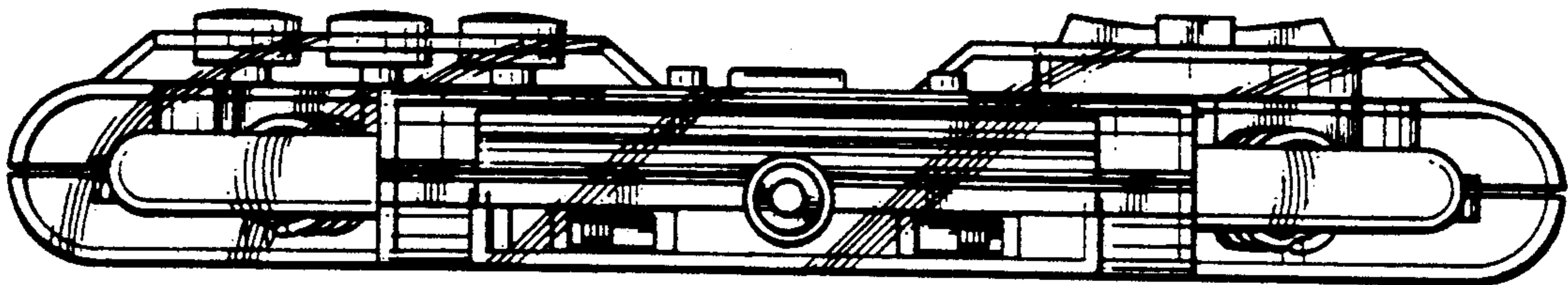


FIG. 1

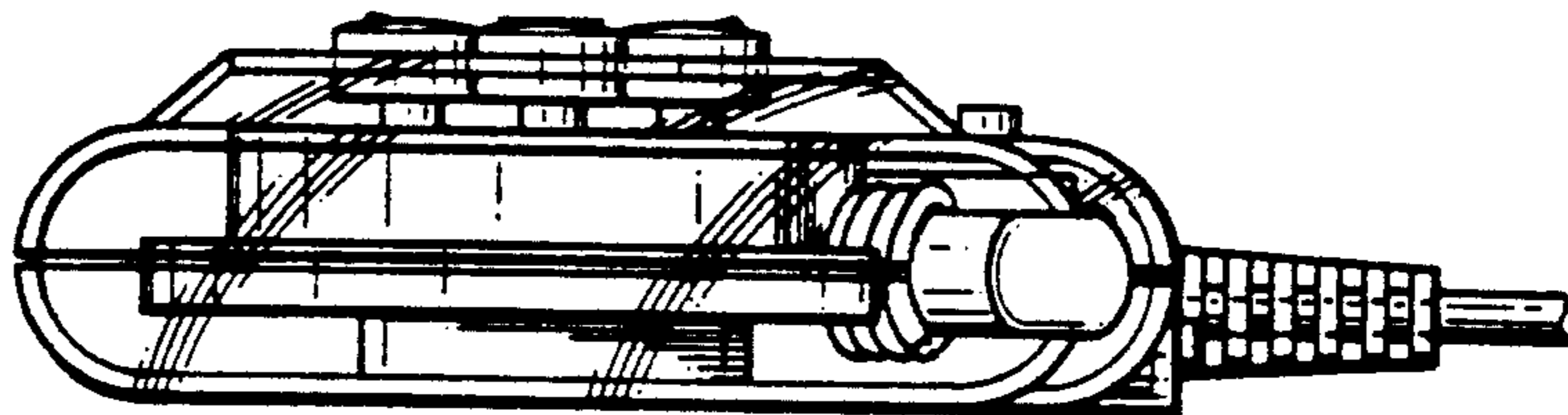


FIG. 3

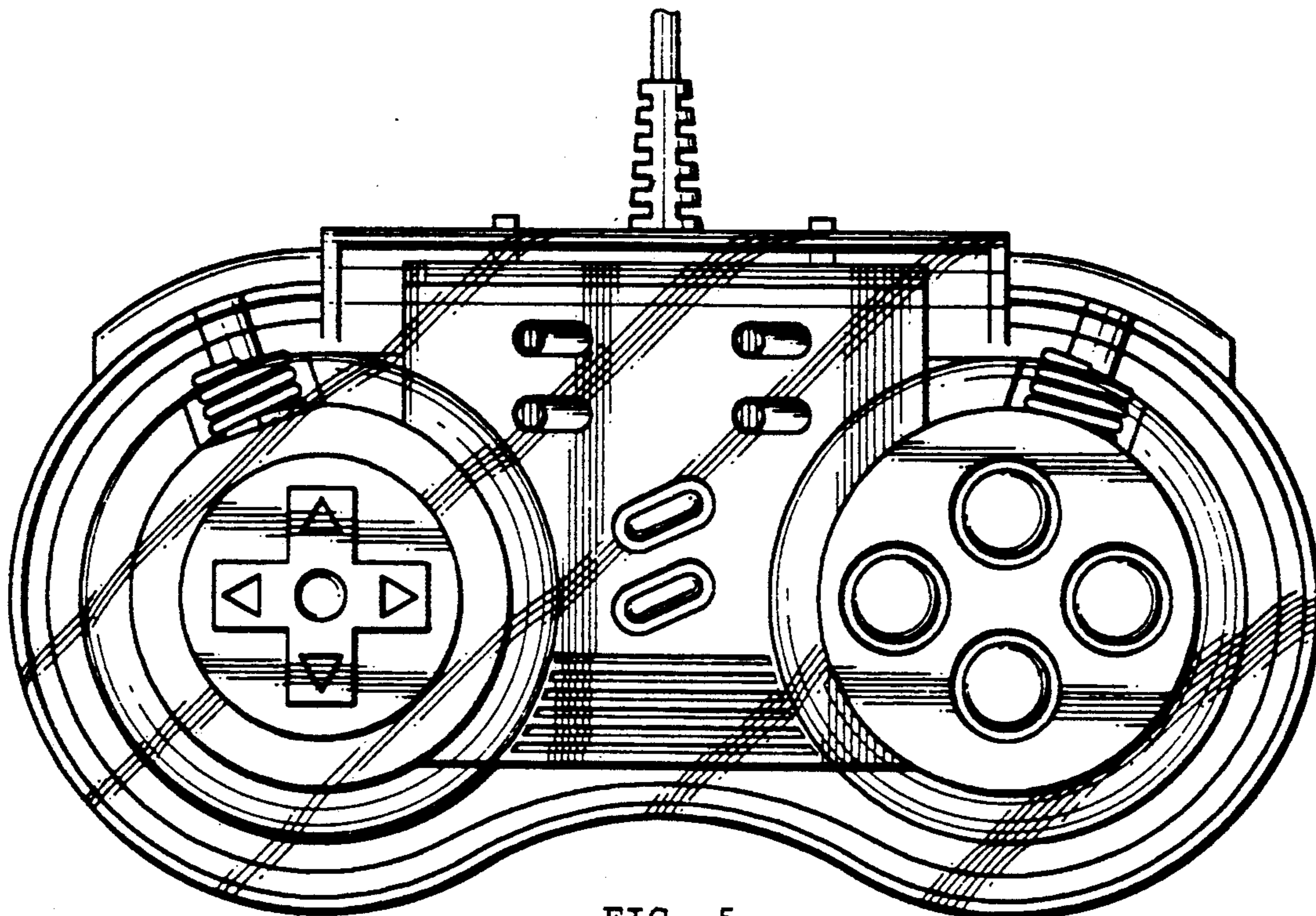


FIG. 5

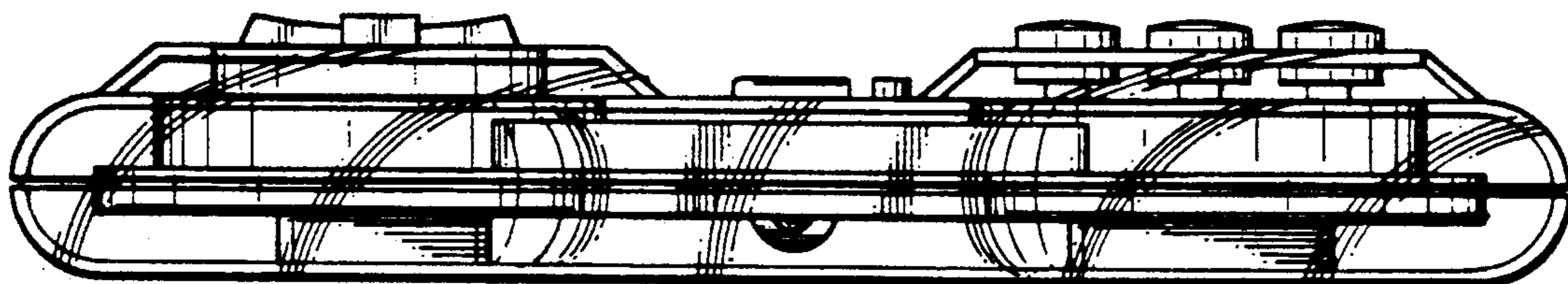


FIG. 2

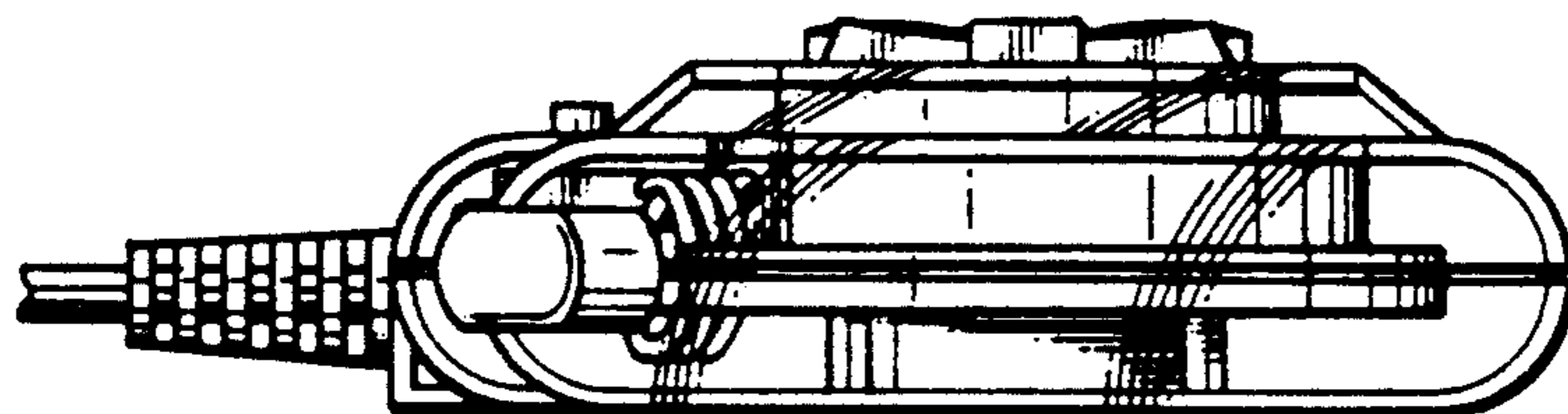


FIG. 4