



US00D342969S

United States Patent [19]

[11] Patent Number: **Des. 342,969**

Edwards

[45] Date of Patent: **** Jan. 4, 1994**

[54] **FINGER-MOUNTABLE HOLDER FOR A WRITING INSTRUMENT**

[76] Inventor: **Mitchell L. Edwards**, 1812 Spruce St., So. Pasadena, Calif. 91030

[**] Term: **14 Years**

[21] Appl. No.: **924,719**

[22] Filed: **Aug. 3, 1992**

[52] U.S. Cl. **D19/55; D19/84**

[58] Field of Search **D8/395; 401/6, 7, 8, 401/88; 434/162, 166, 112, 233; D19/35, 36, 54, 53, 55, 81, 83, 84, 99, 100**

3,048,149	12/1959	Guttman .	
3,204,313	9/1965	Sée	D8/395 X
3,402,984	9/1968	Zazzara .	
3,596,964	8/1971	Zazzara .	
3,887,286	6/1975	Bucey .	
4,167,347	9/1979	Hoyle	401/88
4,846,710	7/1989	Campbell .	

Primary Examiner—Nelson C. Holtje
Assistant Examiner—Martie Thompson
Attorney, Agent, or Firm—Pretty, Schroeder, Brueggemann & Clark

[57] CLAIM

The ornamental design for a finger-mountable holder for a writing instrument, as shown.

[56] References Cited

U.S. PATENT DOCUMENTS

D. 208,282	8/1967	Speers	D19/53
D. 298,439	11/1988	Rusk	D19/55
D. 318,295	7/1991	Sze	D19/55
D. 328,759	8/1992	Pozil et al.	D19/55
D. 328,920	8/1992	Kimball	D19/81 X
974,887	11/1910	Huddle .	
1,125,405	1/1915	Seabaugh .	
1,478,170	6/1922	Blaskie et al. .	
2,273,044	2/1942	Johnson .	
2,709,419	5/1955	Appel .	

DESCRIPTION

FIG. 1 is a perspective view of a finger-mountable holder for a writing instrument embodying my new design;
FIG. 2 is a left side elevational view thereof;
FIG. 3 is a top plan view thereof;
FIG. 4 is a right side elevational view thereof;
FIG. 5 is a bottom plan view thereof;
FIG. 6 is a front elevational view thereof; and,
FIG. 7 is a rear elevational view thereof.

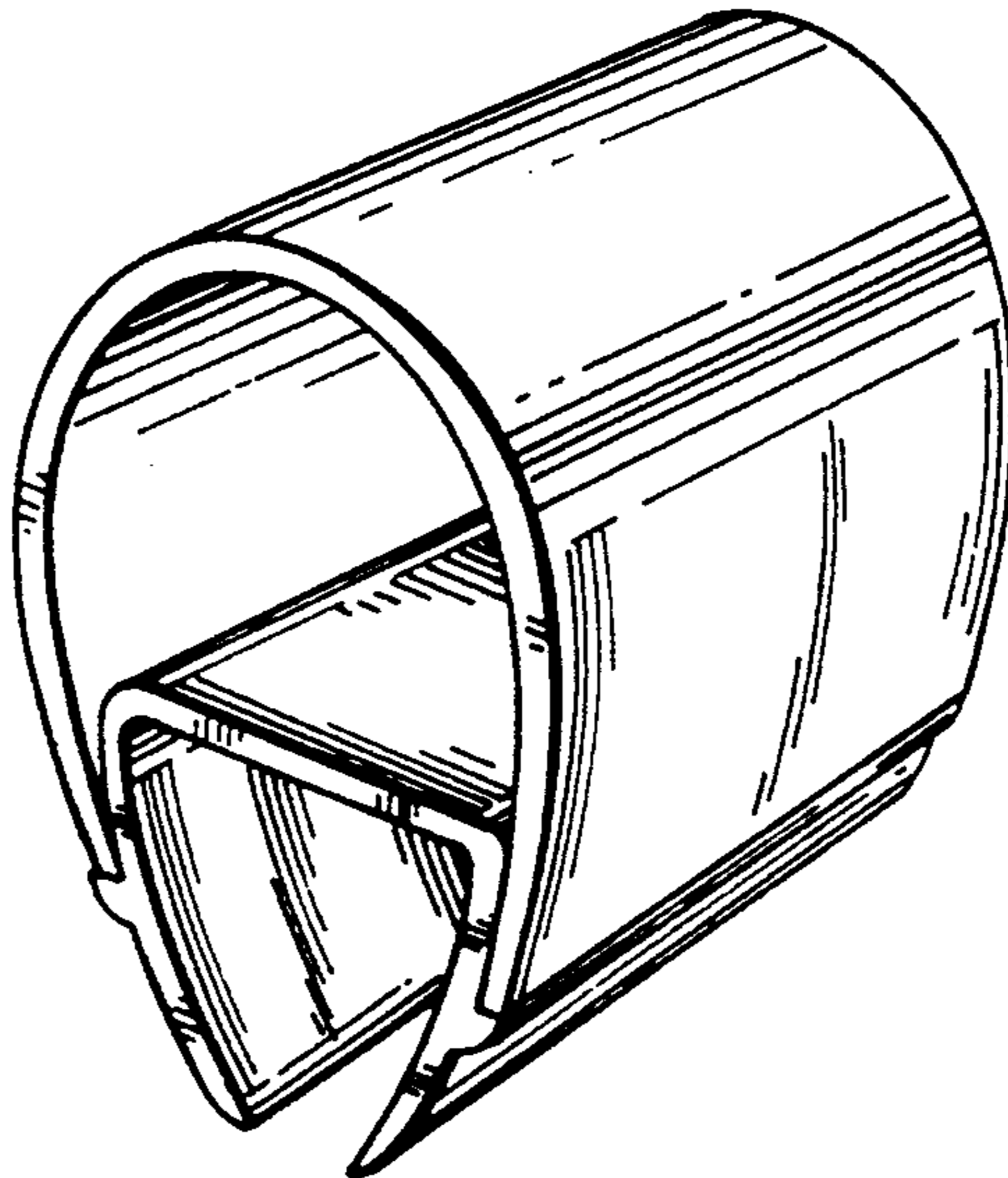


FIG. 1

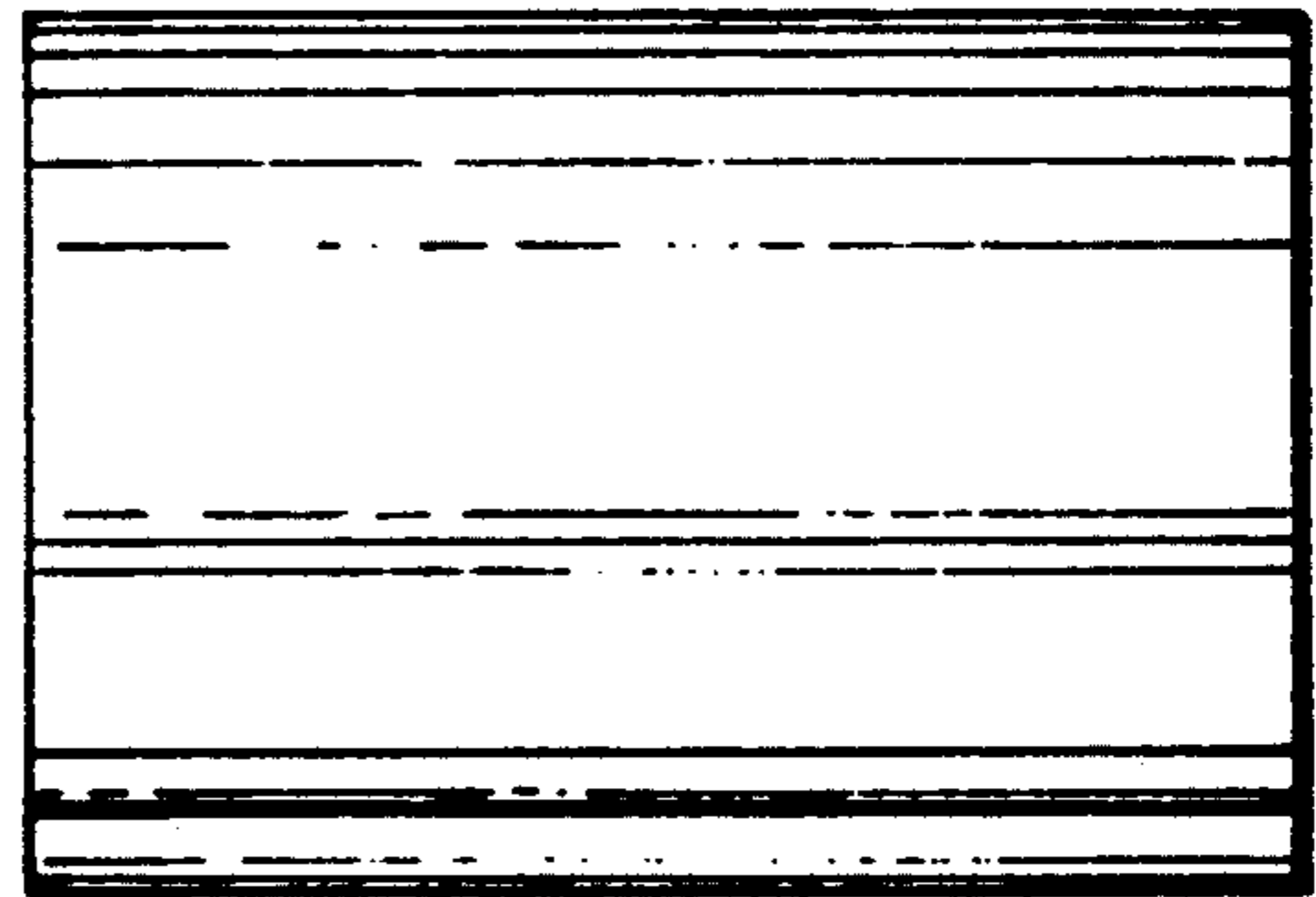
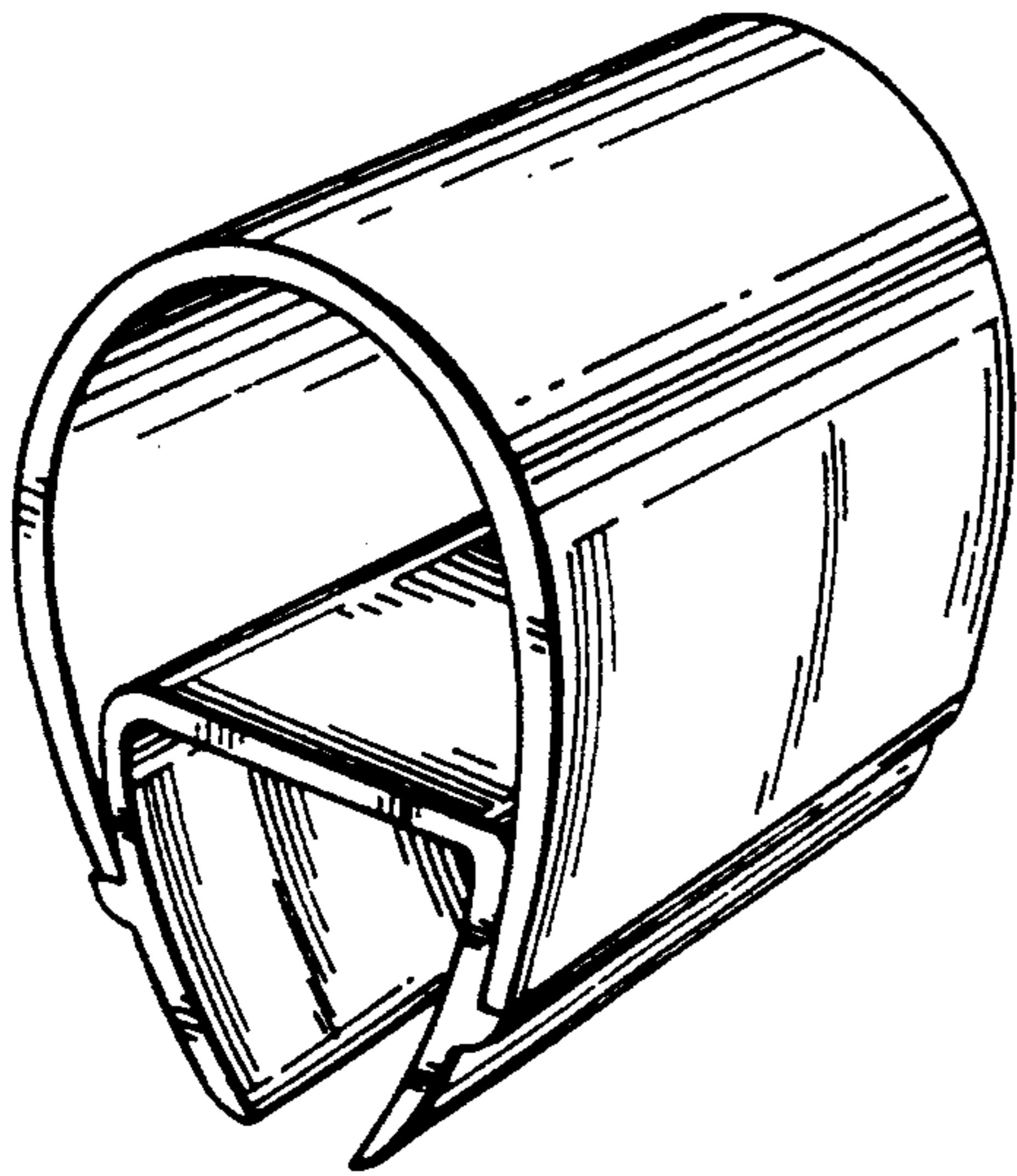


FIG. 2

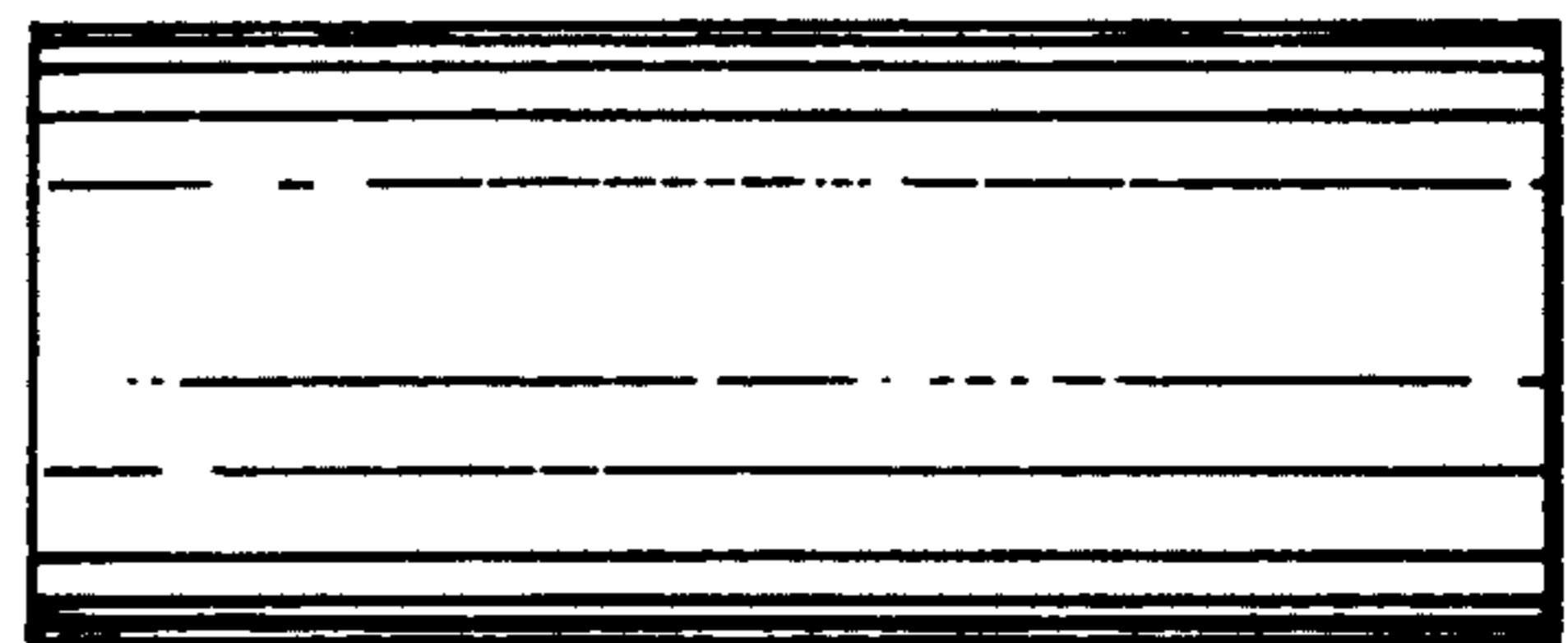


FIG. 3

FIG. 6

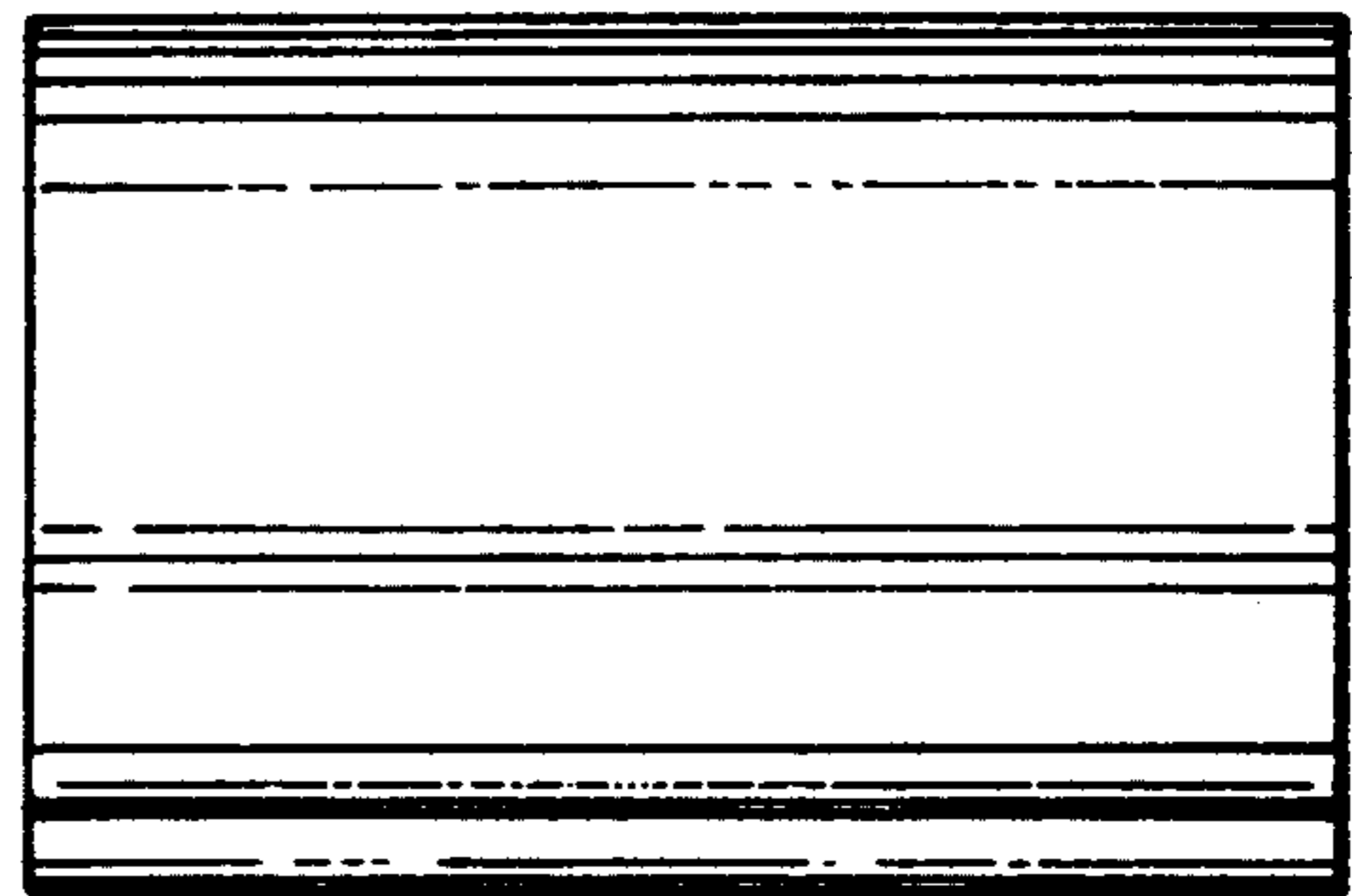
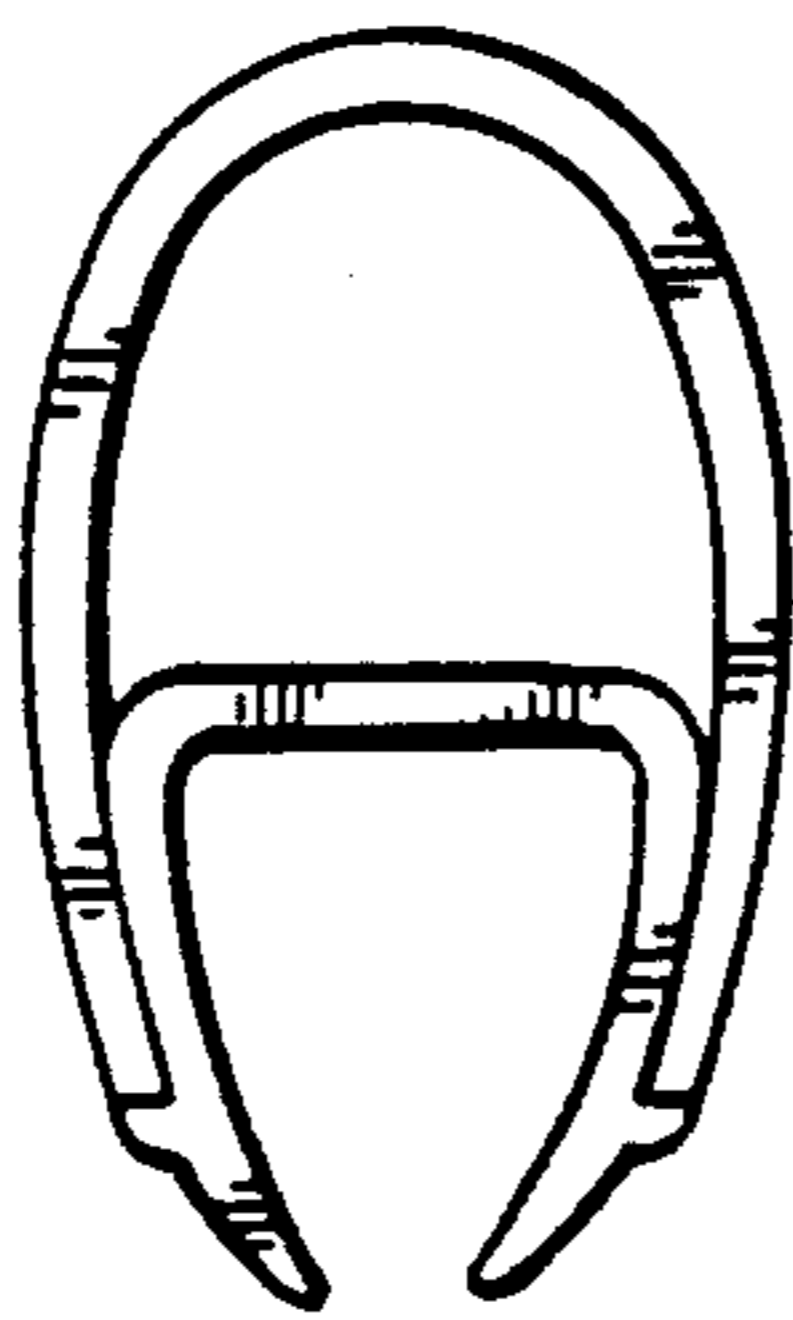


FIG. 4

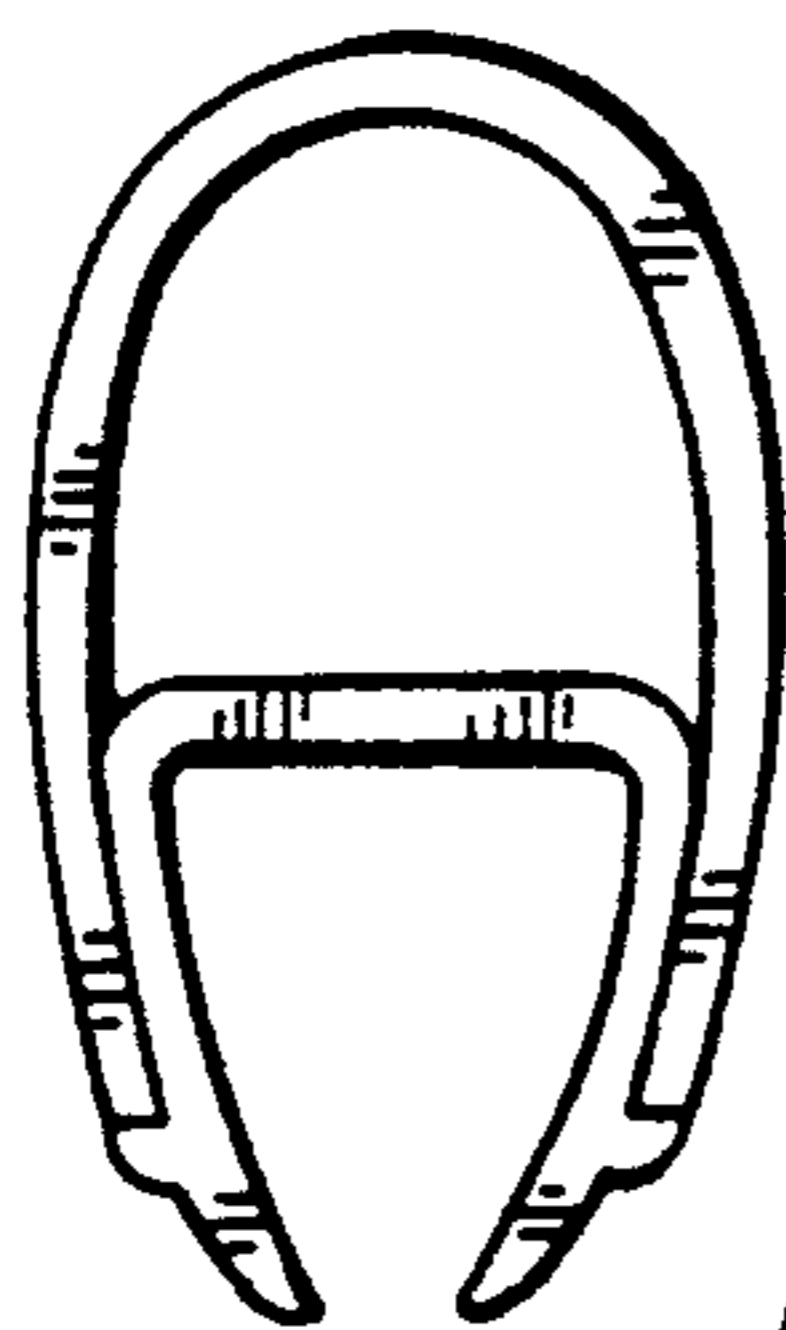


FIG. 7

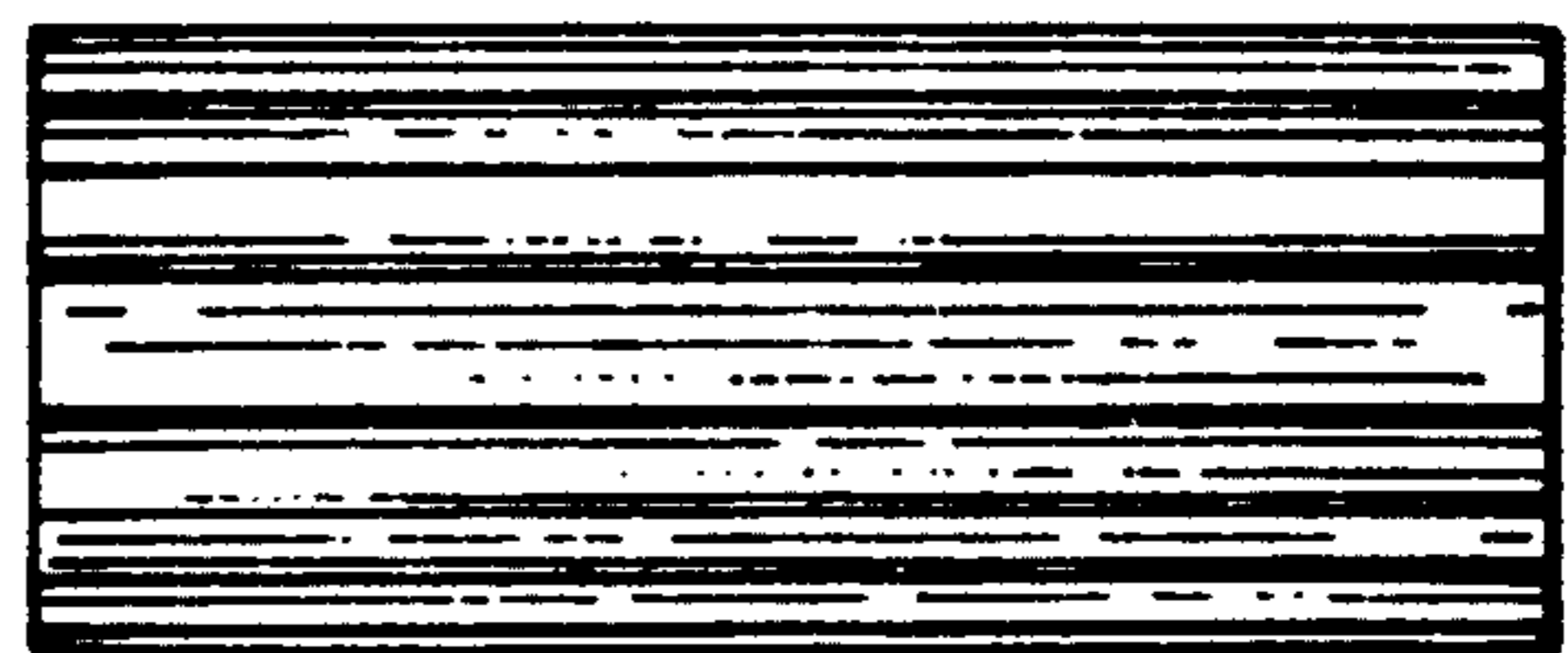


FIG. 5