



US00D342965S

# United States Patent [19]

Duke et al.

[11] Patent Number: **Des. 342,965**

[45] Date of Patent: **\*\* Jan. 4, 1994**

[54] **SHREDDING MACHINE FOR RECYCLING**

[76] Inventors: **Jerry Duke; Patricia Duke**, both of  
25354 Palomino, Warren, Mich.  
48089

[\*\*] Term: **14 Years**

[21] Appl. No.: **834,718**

[22] Filed: **Feb. 12, 1992**

[52] U.S. Cl. .... **D18/34**; 241/100

[58] Field of Search ..... 241/100, 236; 83/859;  
**D18/34; D15/127**

5,035,366 7/1991 Hashimoto et al. .... 241/100  
5,076,505 12/1991 Petrocy ..... 241/100

**FOREIGN PATENT DOCUMENTS**

0414278 2/1991 European Pat. Off. .... 241/236  
2817740 10/1979 Fed. Rep. of Germany ..... 241/100  
2845447 4/1980 Fed. Rep. of Germany ..... 241/236  
3733413 4/1988 Fed. Rep. of Germany ..... 241/100  
2126126 3/1984 United Kingdom ..... 241/236

*Primary Examiner*—A. Hugo Word  
*Assistant Examiner*—CathyAnne MacCormac  
*Attorney, Agent, or Firm*—Terry M. Gernstein

[56] **References Cited**

**U.S. PATENT DOCUMENTS**

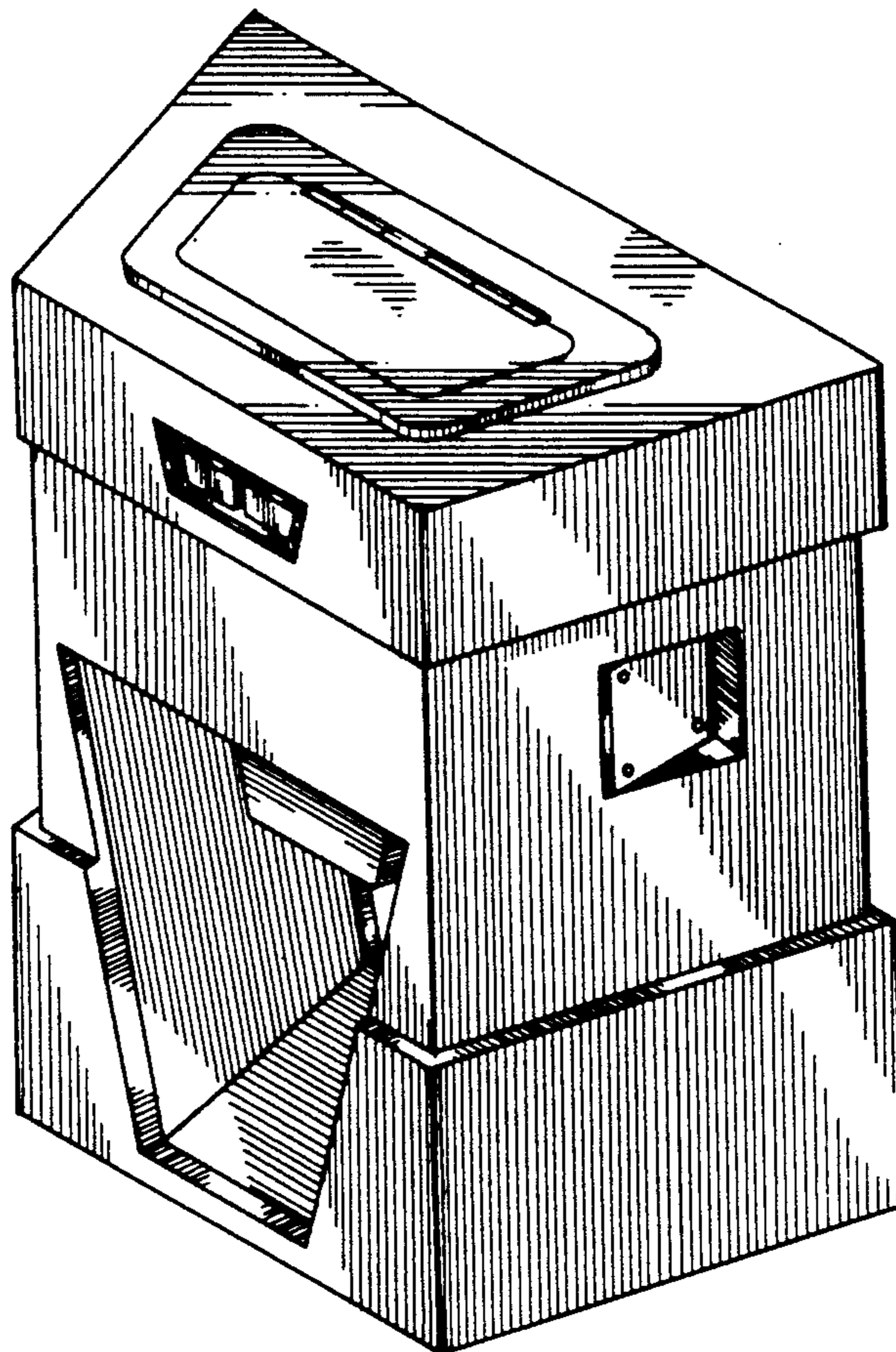
- D. 225,179 11/1972 Macowski ..... D18/34
- D. 265,909 8/1982 Hatanaka ..... D18/34
- D. 265,910 8/1982 Hatanaka ..... D18/34
- D. 265,911 8/1982 Hatanaka ..... D18/34
- D. 293,173 12/1987 Chester ..... D18/34
- D. 299,035 12/1988 Nishibori et al. .... D18/34
- 2,940,678 6/1960 Sharpe et al. .... 241/100
- 4,700,902 10/1987 Yeomans ..... 241/100
- 4,817,877 4/1989 Itoh et al. .... 241/236
- 4,873,811 10/1989 Izumitani et al. .... 241/100
- 4,944,461 7/1990 Farnsworth ..... 241/100

[57] **CLAIM**

The ornamental design for a shredding machine for recycling, as shown and described.

**DESCRIPTION**

FIG. 1 is a perspective view of the shredding machine for recycling showing my new design; FIG. 2 is a front elevational view thereof; FIG. 3 is a rear elevational view thereof; FIG. 4 is a side elevational view thereof; FIG. 5 is a side elevational view thereof; FIG. 6 is a top plan view thereof; and, FIG. 7 is a bottom view thereof.



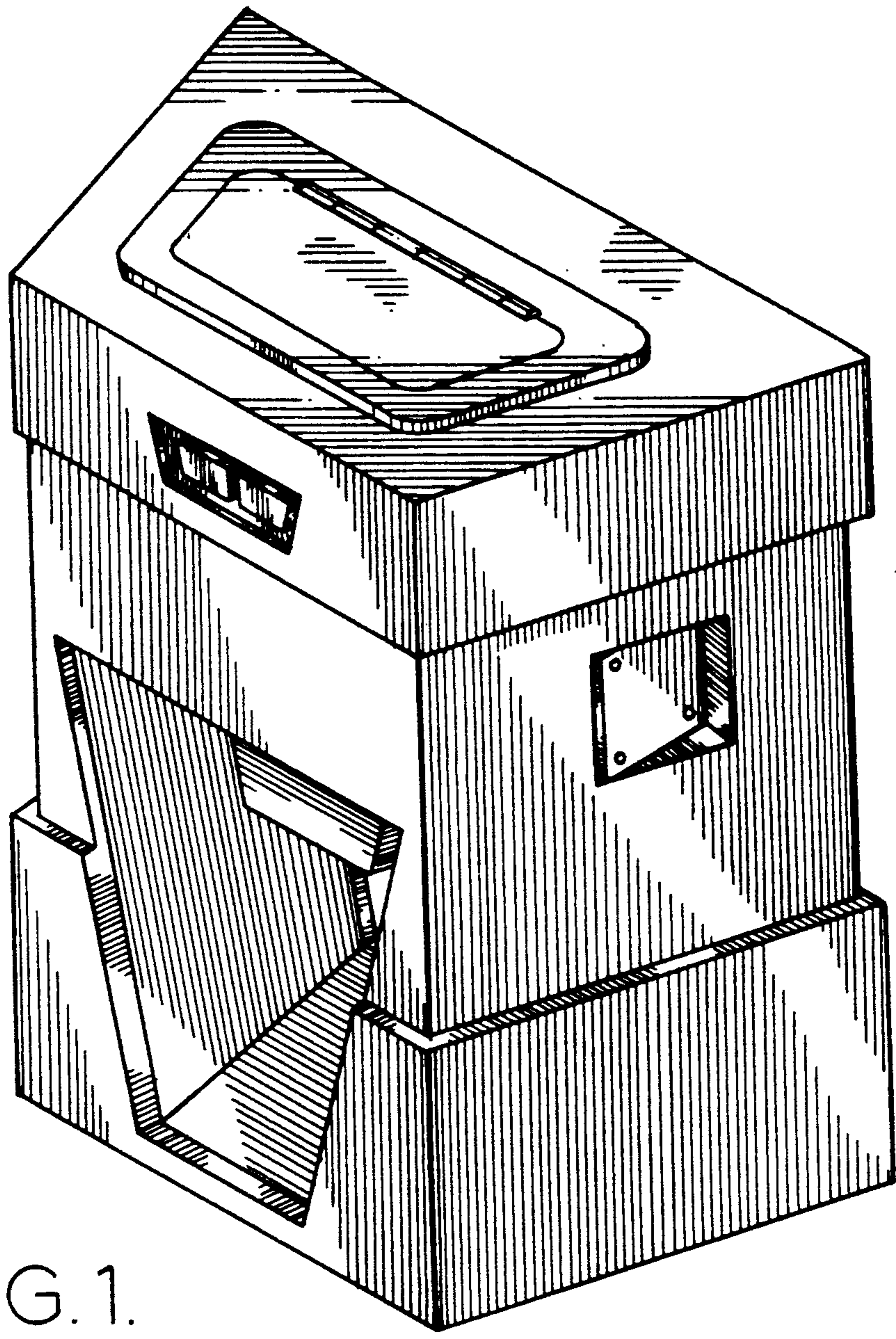


FIG. 1.

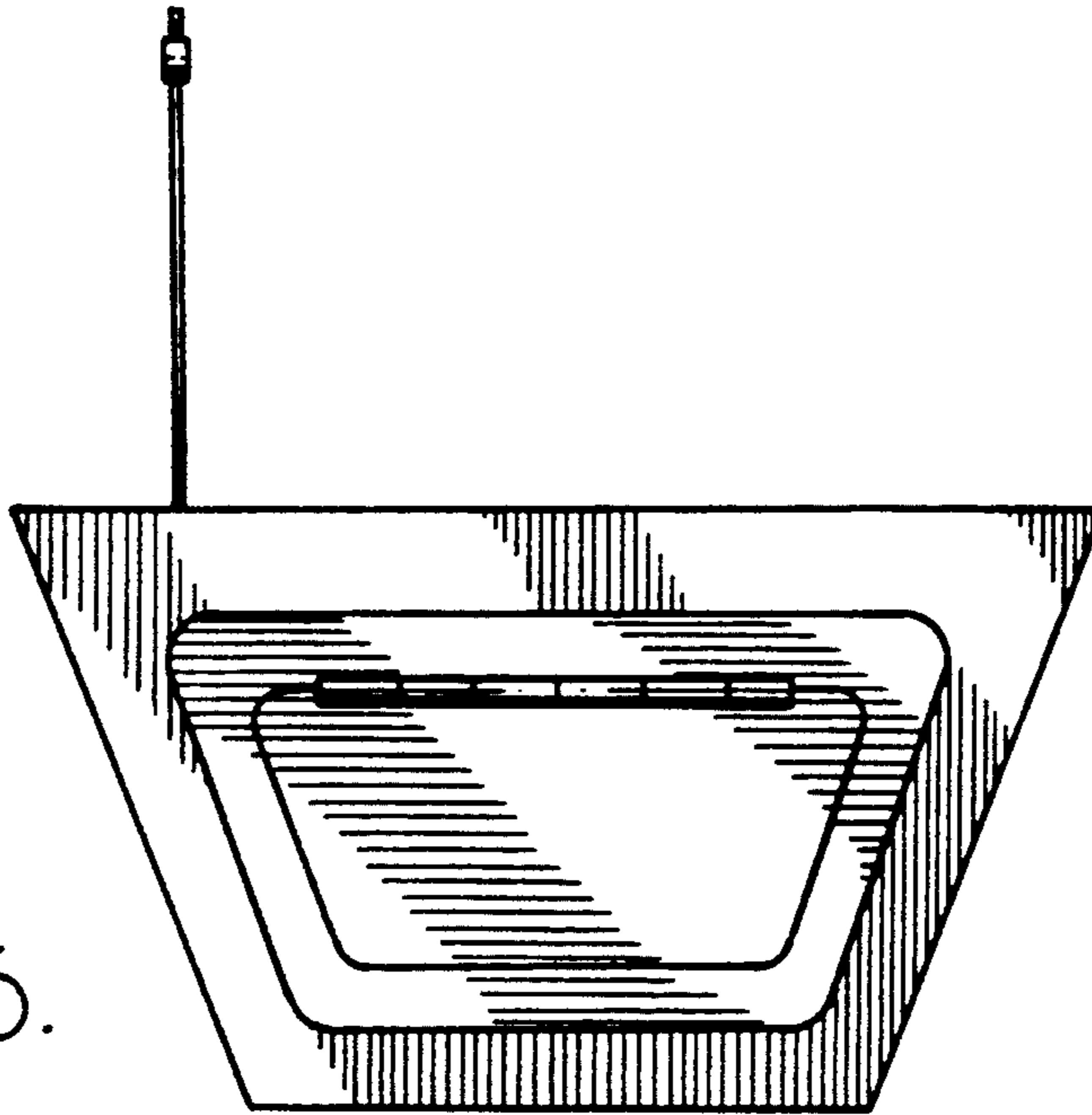


FIG. 6.

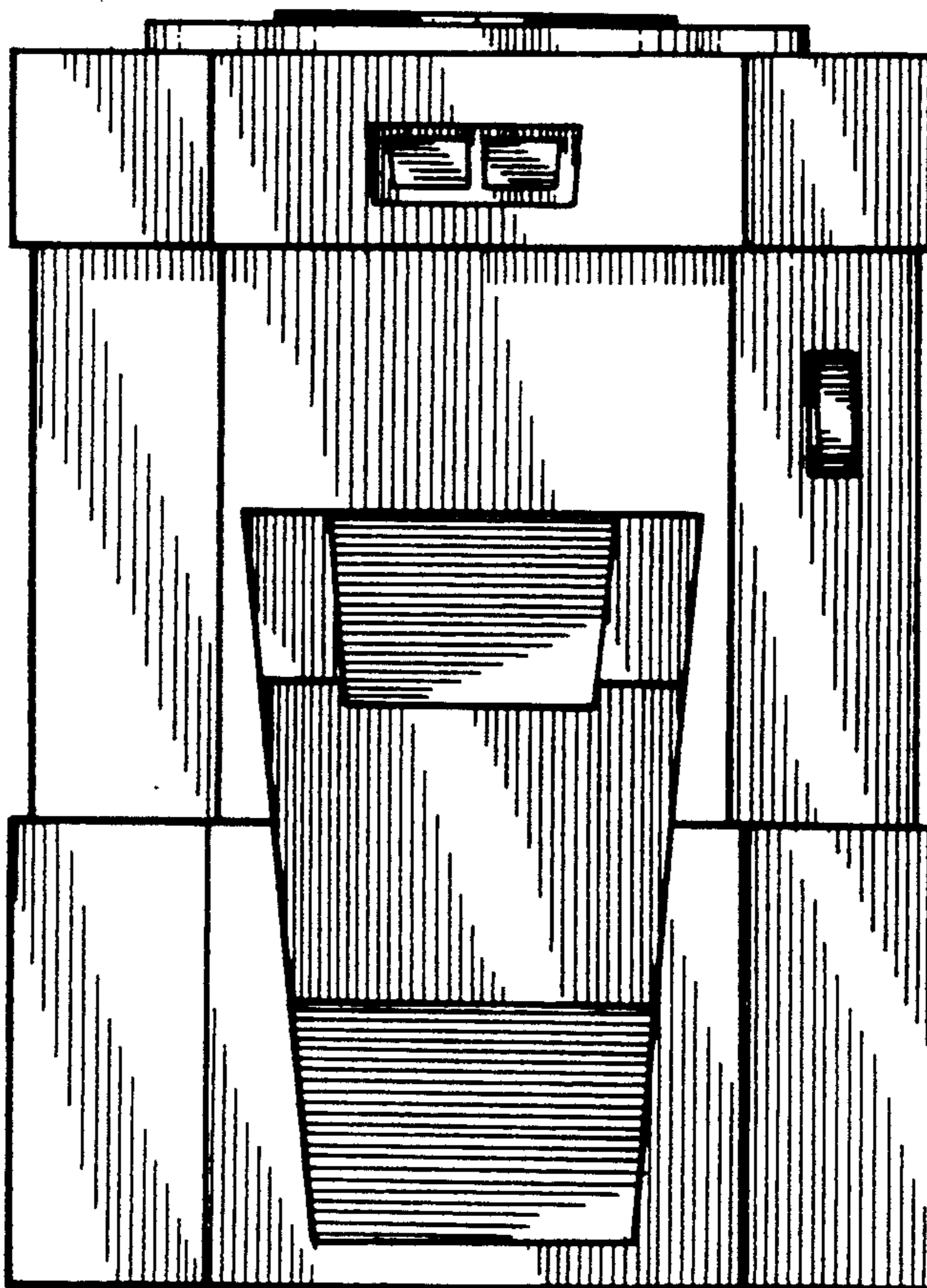


FIG. 2.



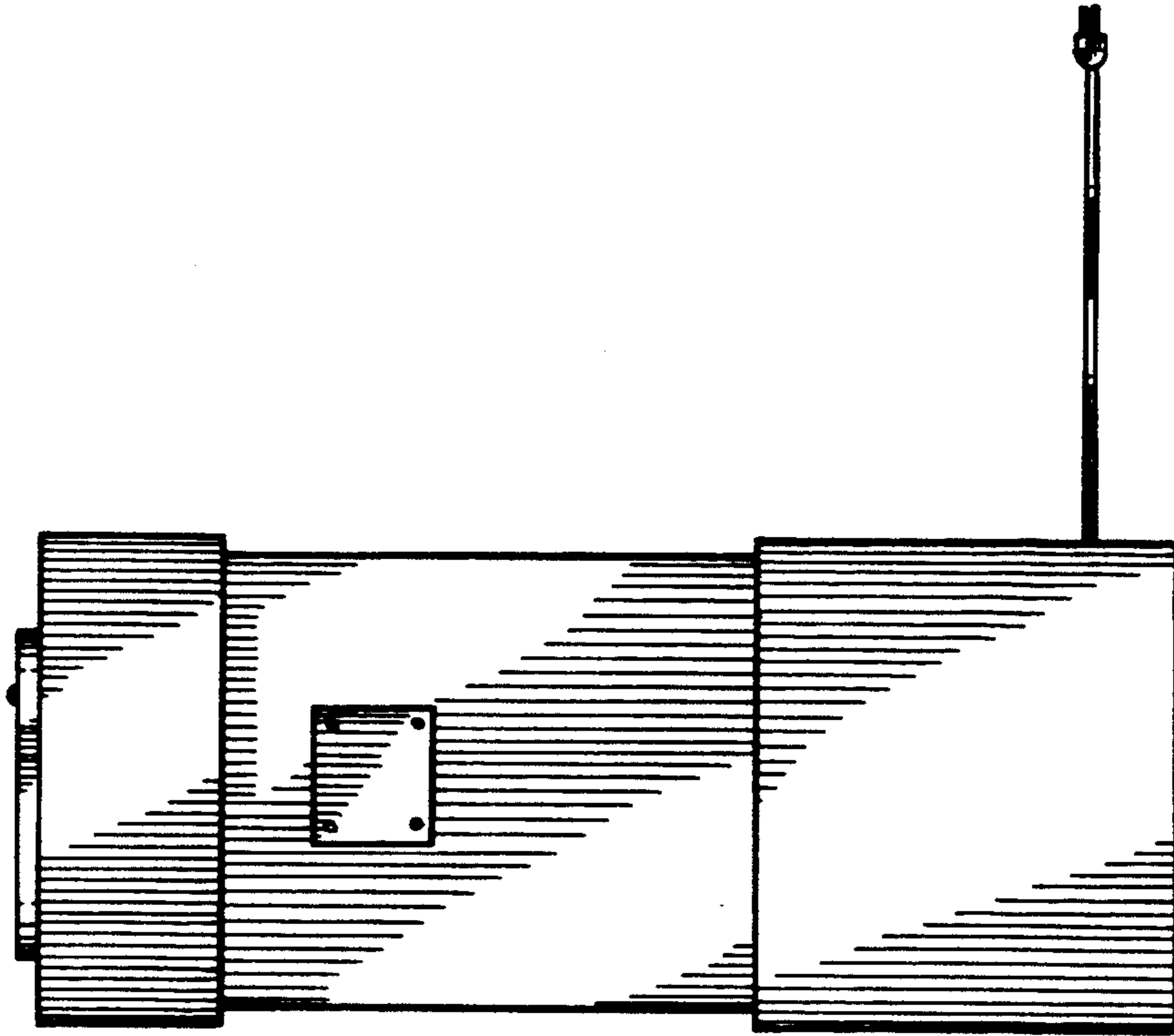


FIG. 4.

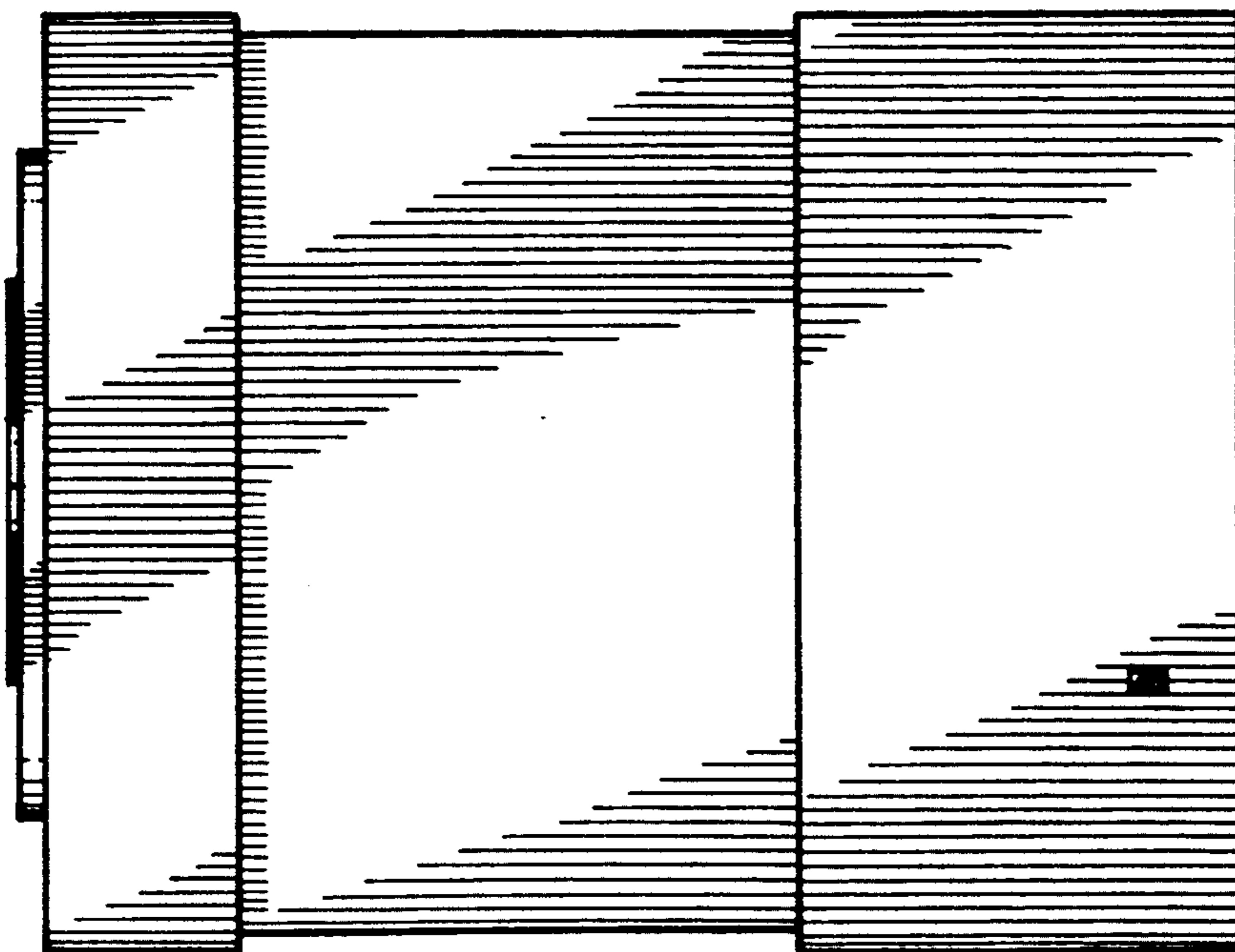


FIG. 3.

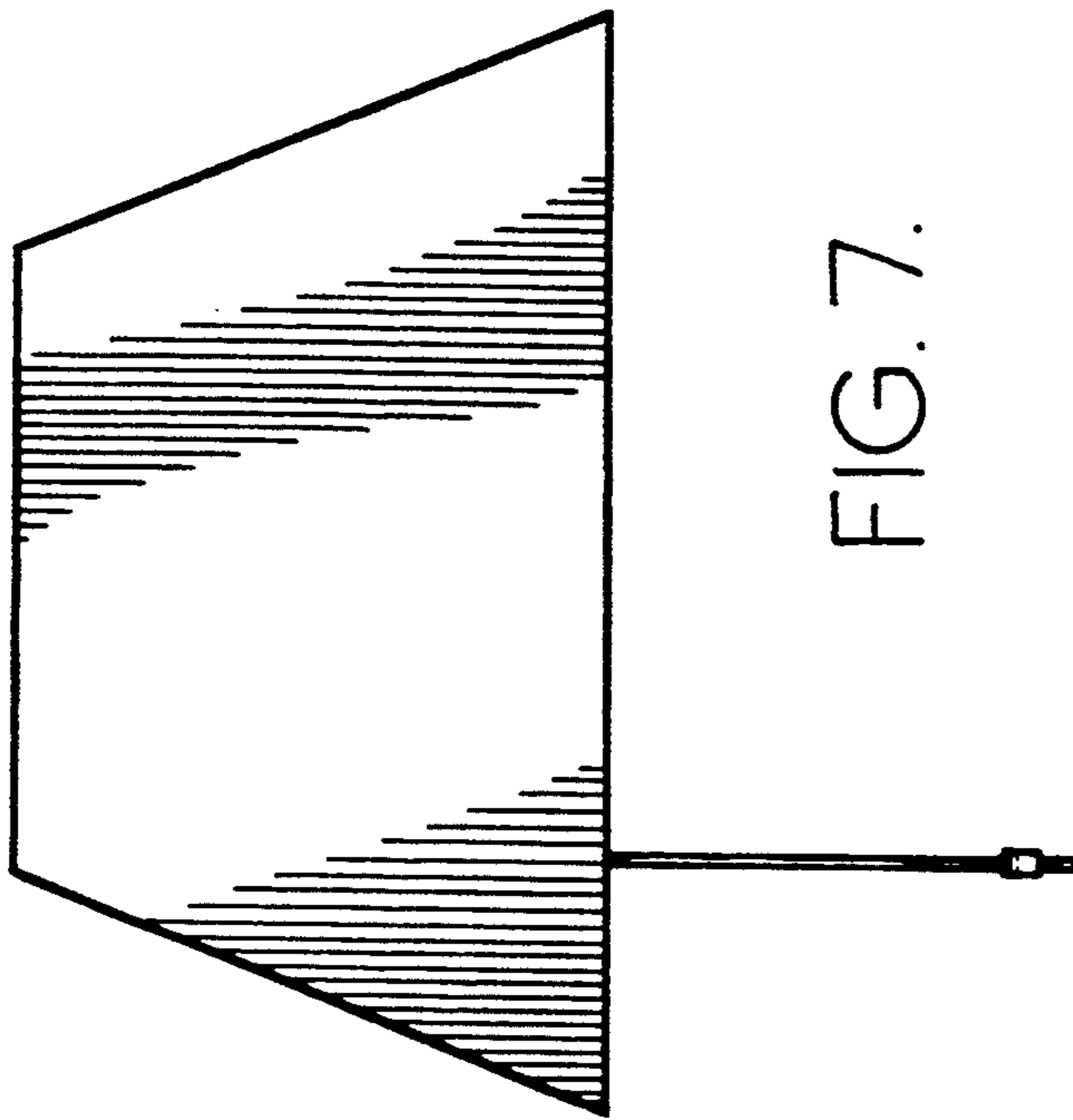


FIG. 7.

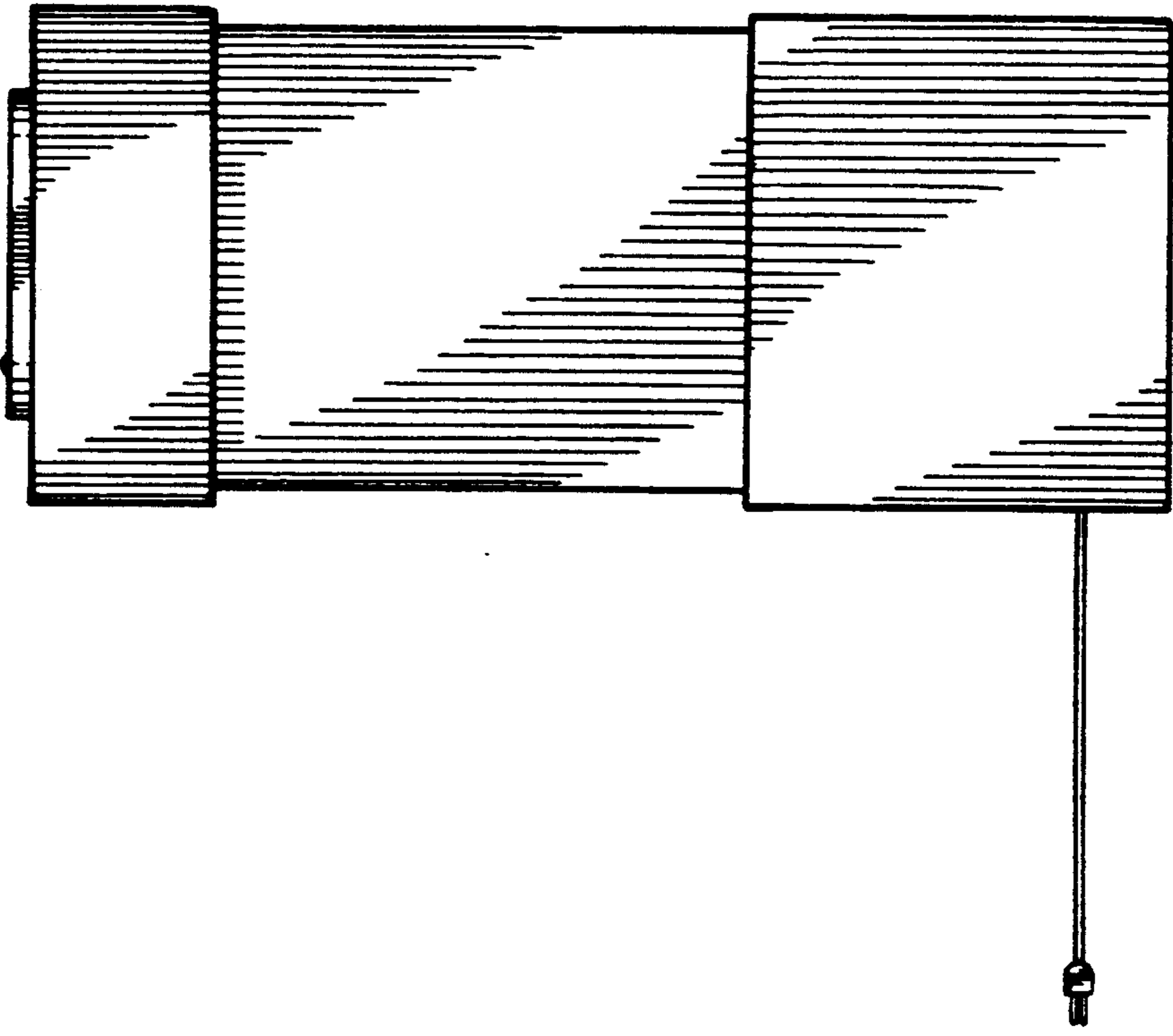


FIG. 5.