



US00D342960S

# United States Patent [19]

[11] Patent Number: **Des. 342,960**

**Kurata**

[45] Date of Patent: **\*\* Jan. 4, 1994**

[54] VIDEO CAMERA COMBINED WITH A VIDEO TAPE RECORDER

[75] Inventor: **Jiroh Kurata**, Tokyo, Japan

[73] Assignee: **Sony Corporation**, Tokyo, Japan

[\*\*] Term: **14 Years**

[21] Appl. No.: **779,617**

[22] Filed: **Oct. 21, 1991**

### [30] Foreign Application Priority Data

May 30, 1991 [JP] Japan ..... 3-15740

[52] U.S. Cl. .... **D16/202**

[58] Field of Search ..... 352/34, 242, 243;  
354/82, 293; 358/229, 906; D16/200, 202,  
203-206, 208

### [56] References Cited

#### U.S. PATENT DOCUMENTS

- D. 295,515 5/1988 Ishida ..... D16/202
- D. 315,915 4/1991 Morimiya ..... D16/202
- D. 332,958 2/1993 Urushihara et al. .... D16/202
- 5,132,800 7/1992 Wada et al. .... 358/906

#### OTHER PUBLICATIONS

Video Review, Aug. 1989; p. 30 (Sony's CCD-TR 5).  
Ritz Camera Catalog, p. 12 (Item C, Nikon VN-300).  
Ritz Camera Catalog, 1991 p. 7 (Item D, Sony's CCD-TR7).

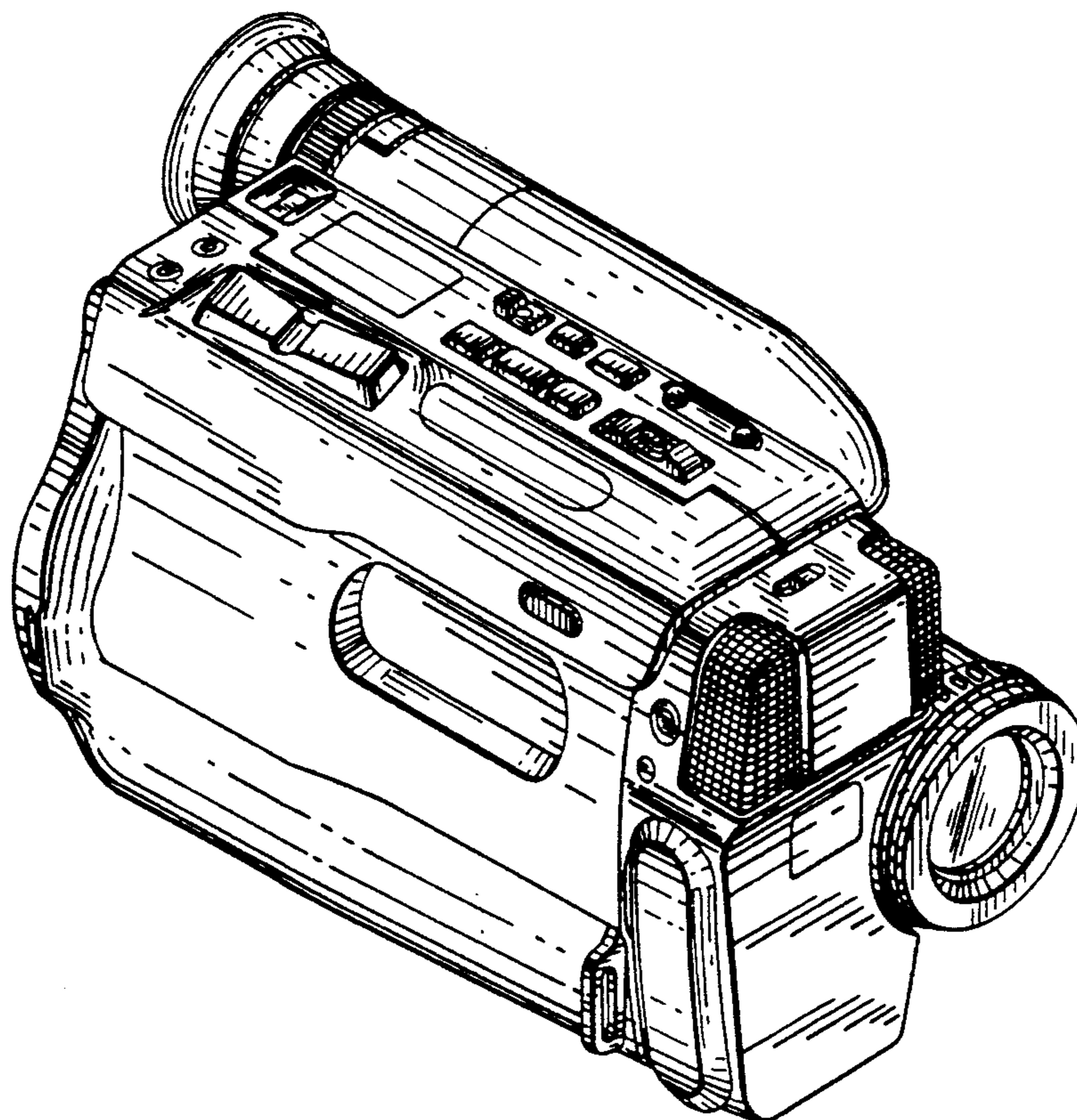
*Primary Examiner*—Melvin B. Feifer  
*Assistant Examiner*—Adir Aronovich  
*Attorney, Agent, or Firm*—Lewis H. Esligner; Jay H. Maioli

### [57] CLAIM

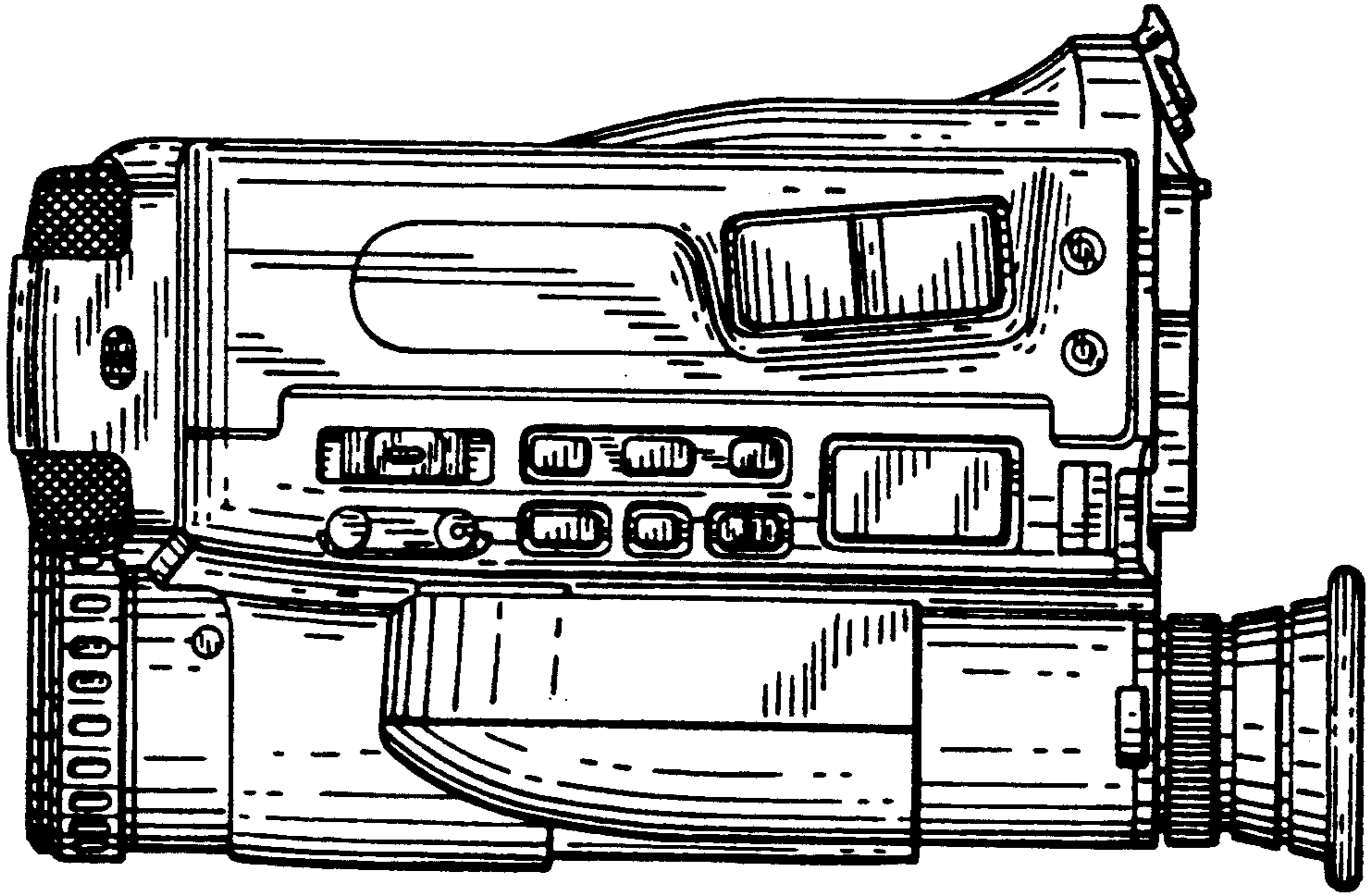
The ornamental design for a video camera combined with a video tape recorder, as shown and described.

### DESCRIPTION

FIG. 1 is a top plan view of a video camera combined with a video tape recorder showing my new design; FIG. 2 is a front elevational view thereof; FIG. 3 is a left-side elevational view thereof; FIG. 4 is a rear elevational view thereof; FIG. 5 is a right-side elevational view thereof; FIG. 6 is a bottom plan view thereof; FIG. 7 is a top plan view thereof, shown with the display activated; FIG. 8 is a top, rear and right-side perspective view thereof, shown in an open position; FIG. 9 is a top, front and left-side perspective view, shown with the viewfinder in the raised position; FIG. 10 is a top, front and right-side perspective view thereof; FIG. 11 is a top, front and right-side perspective view thereof, shown with the viewfinder in the extended position; and, FIG. 12 is a top, front and right-side perspective view thereof, shown with the hand grip installed and the connector panel door in the opened position.



*FIG. 1*



*FIG. 2*

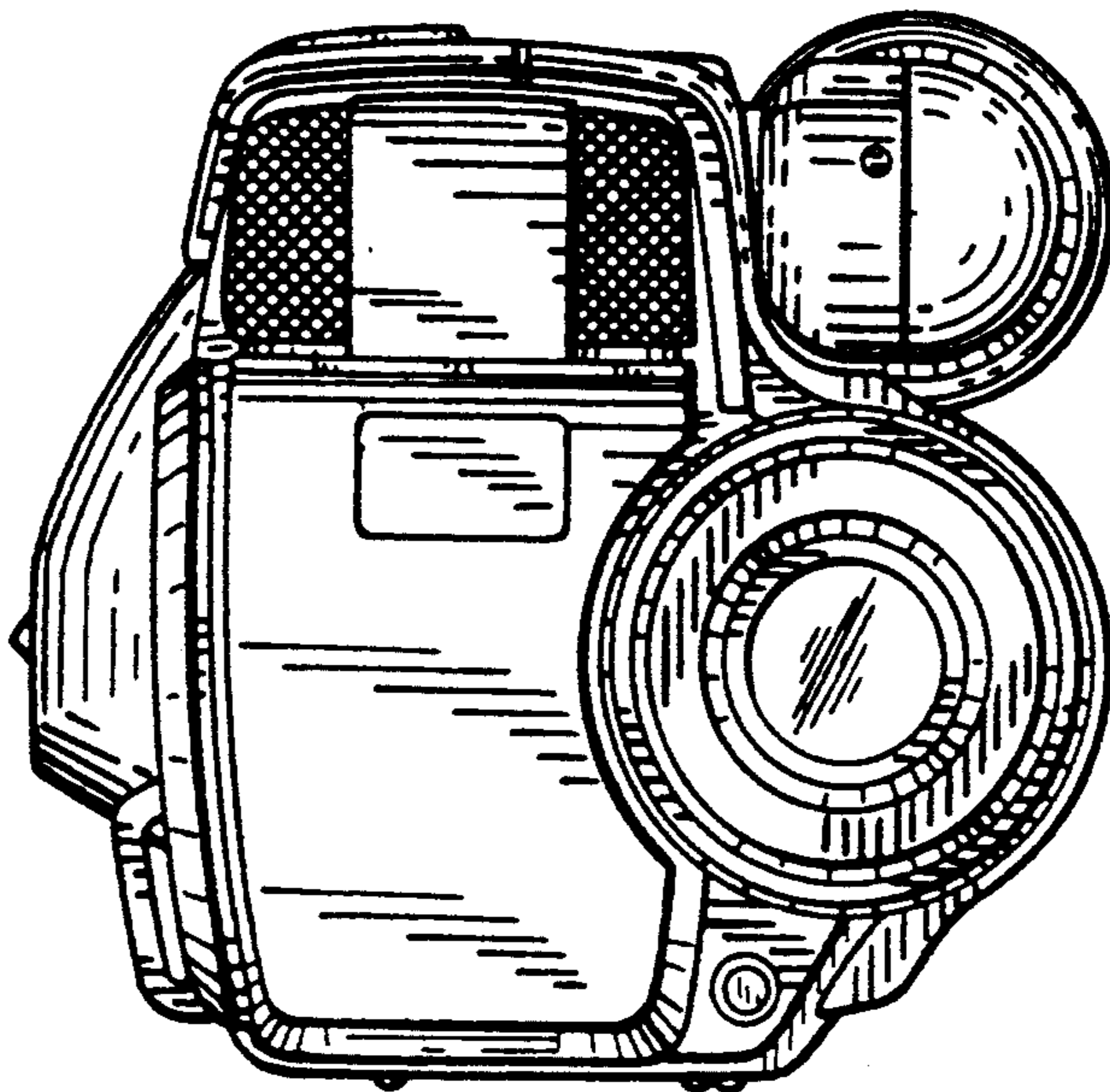


FIG. 3

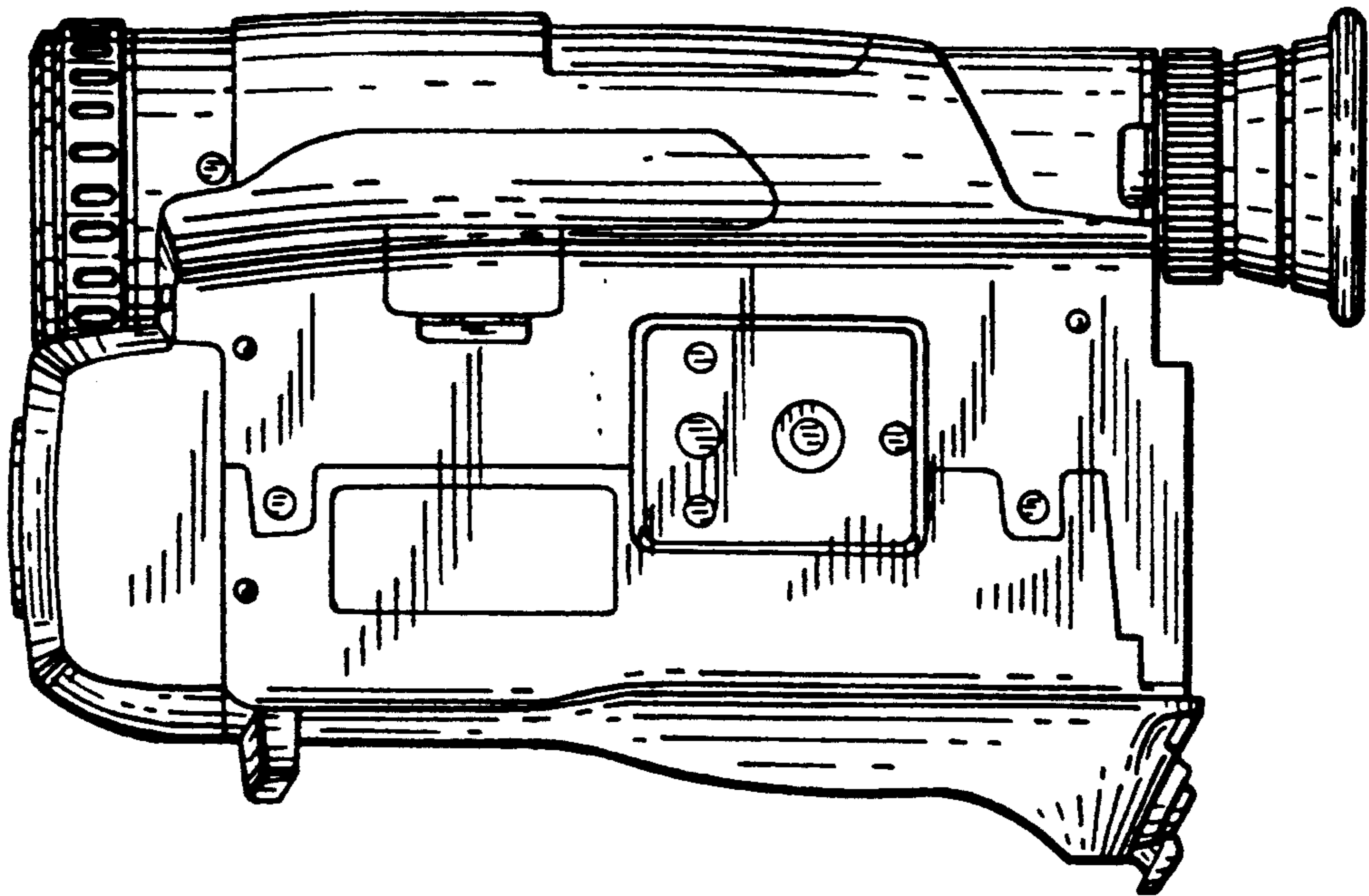
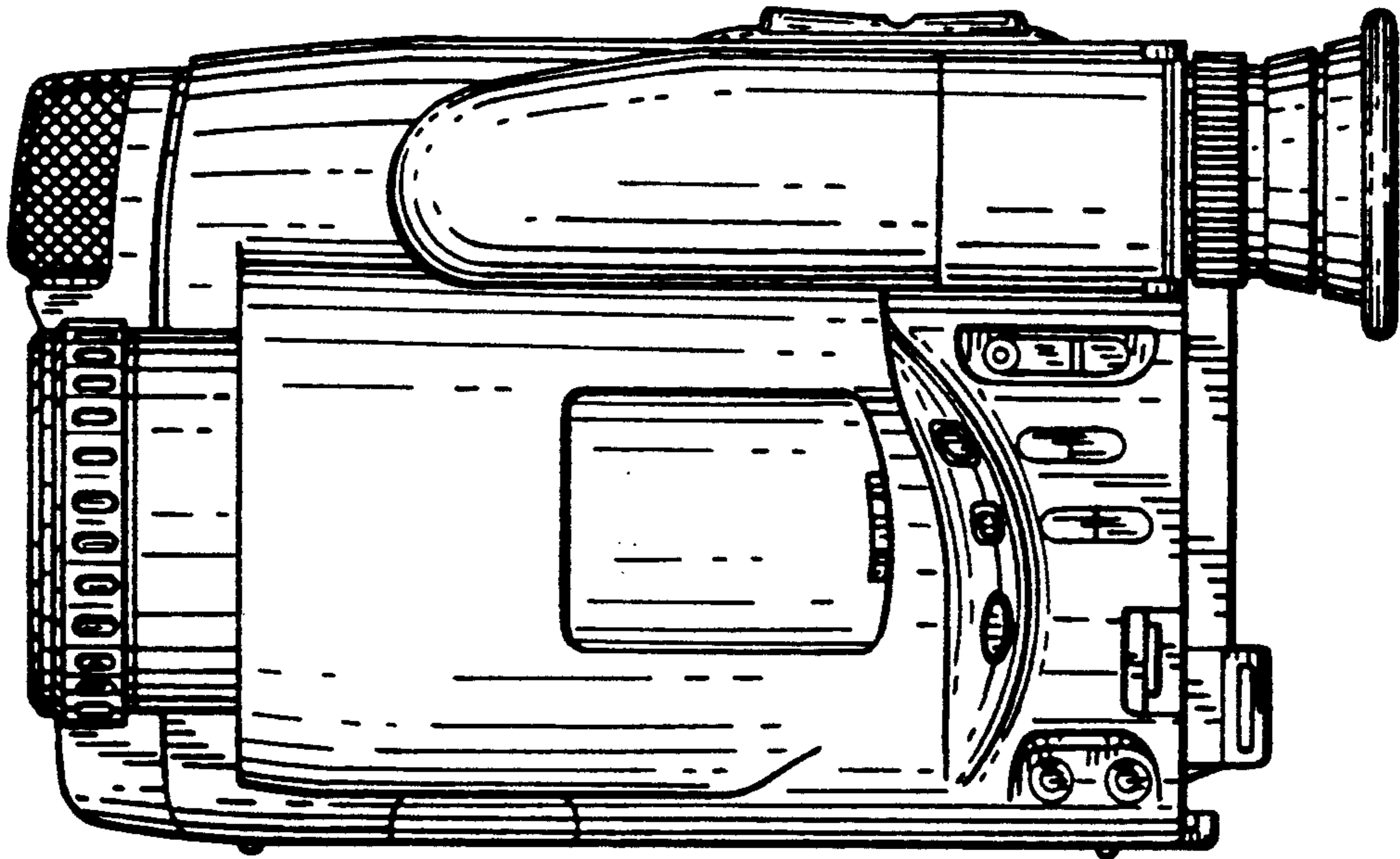


FIG. 6

FIG. 5

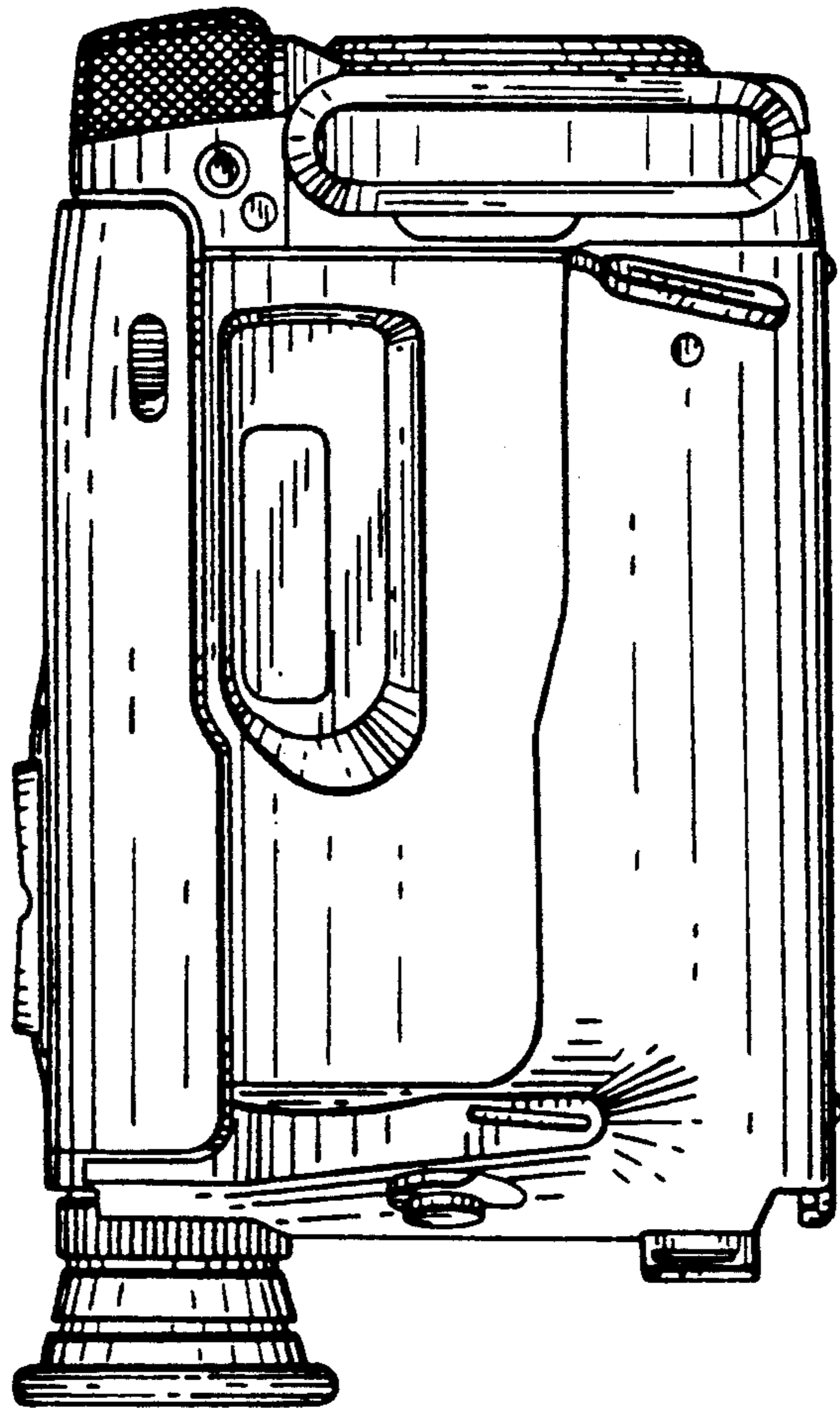


FIG. 4

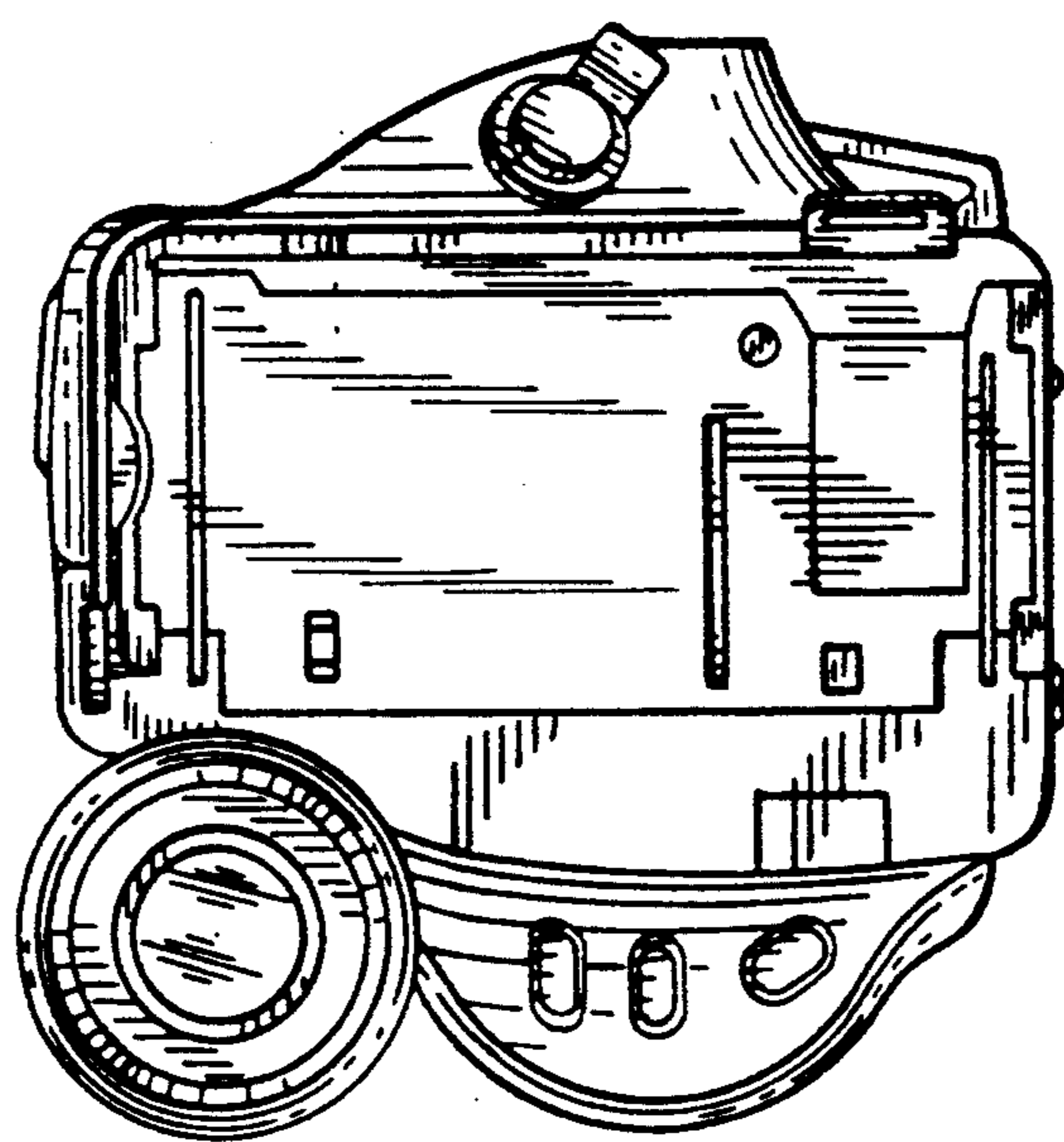
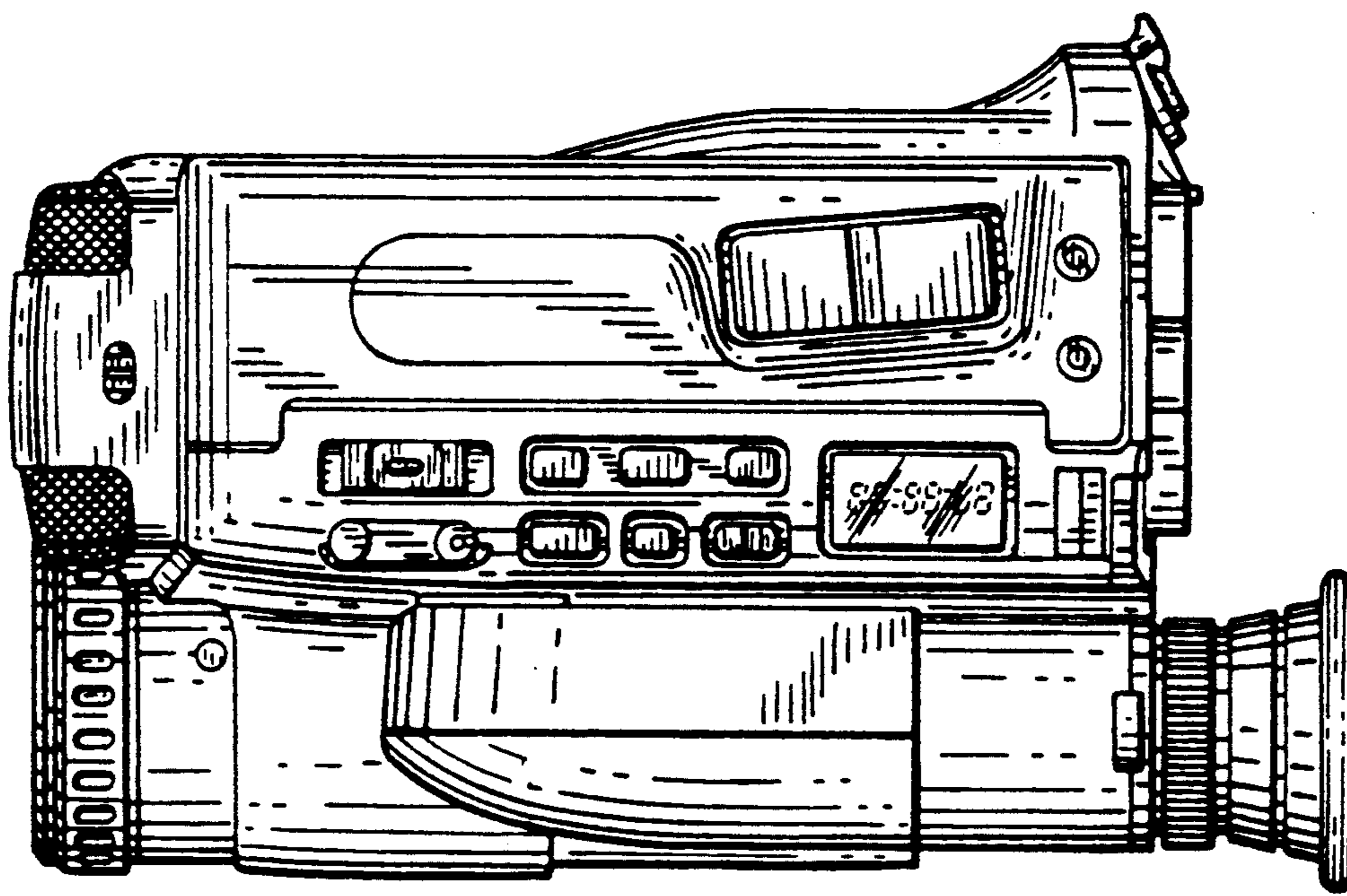


FIG. 7



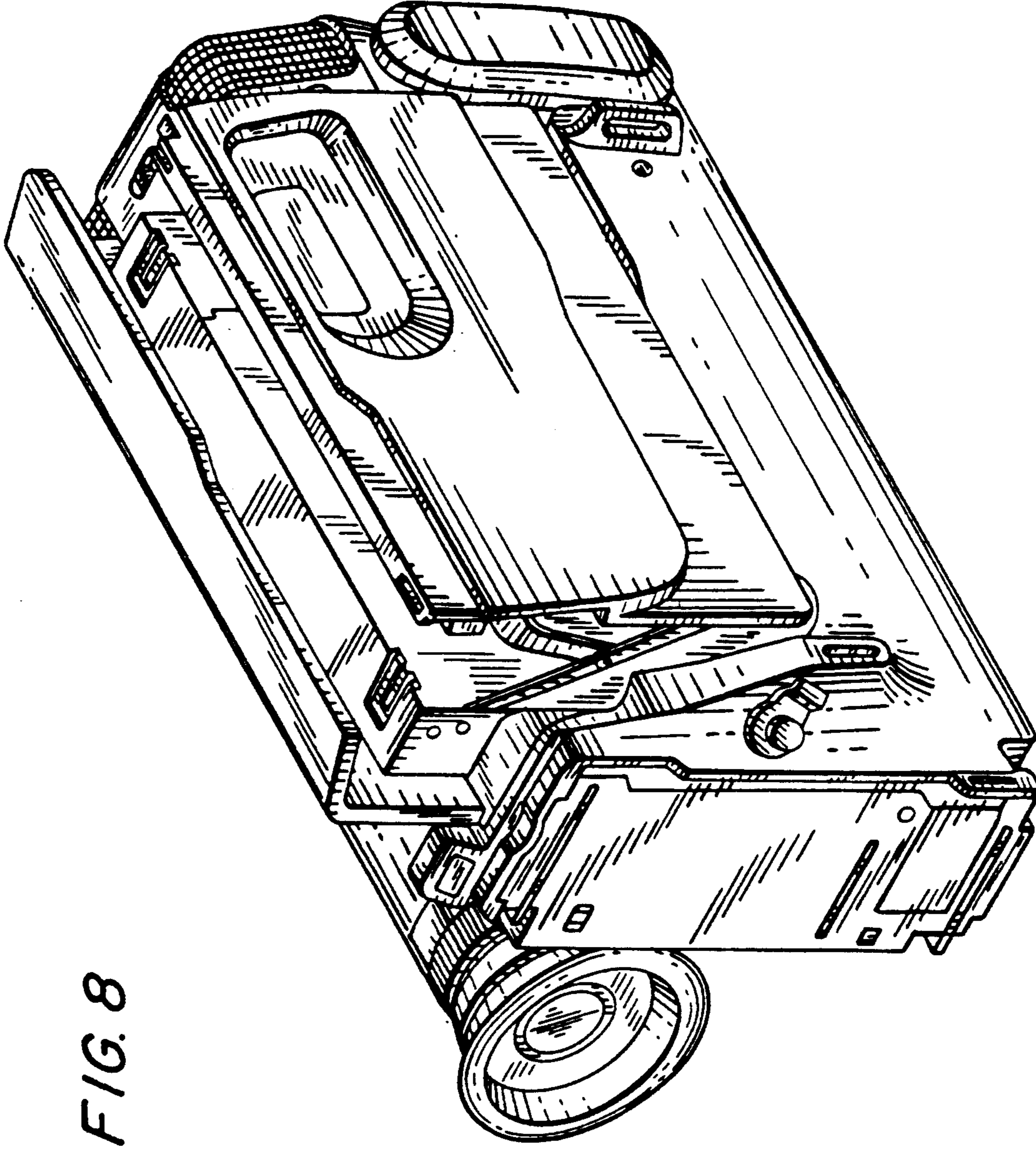


FIG. 8

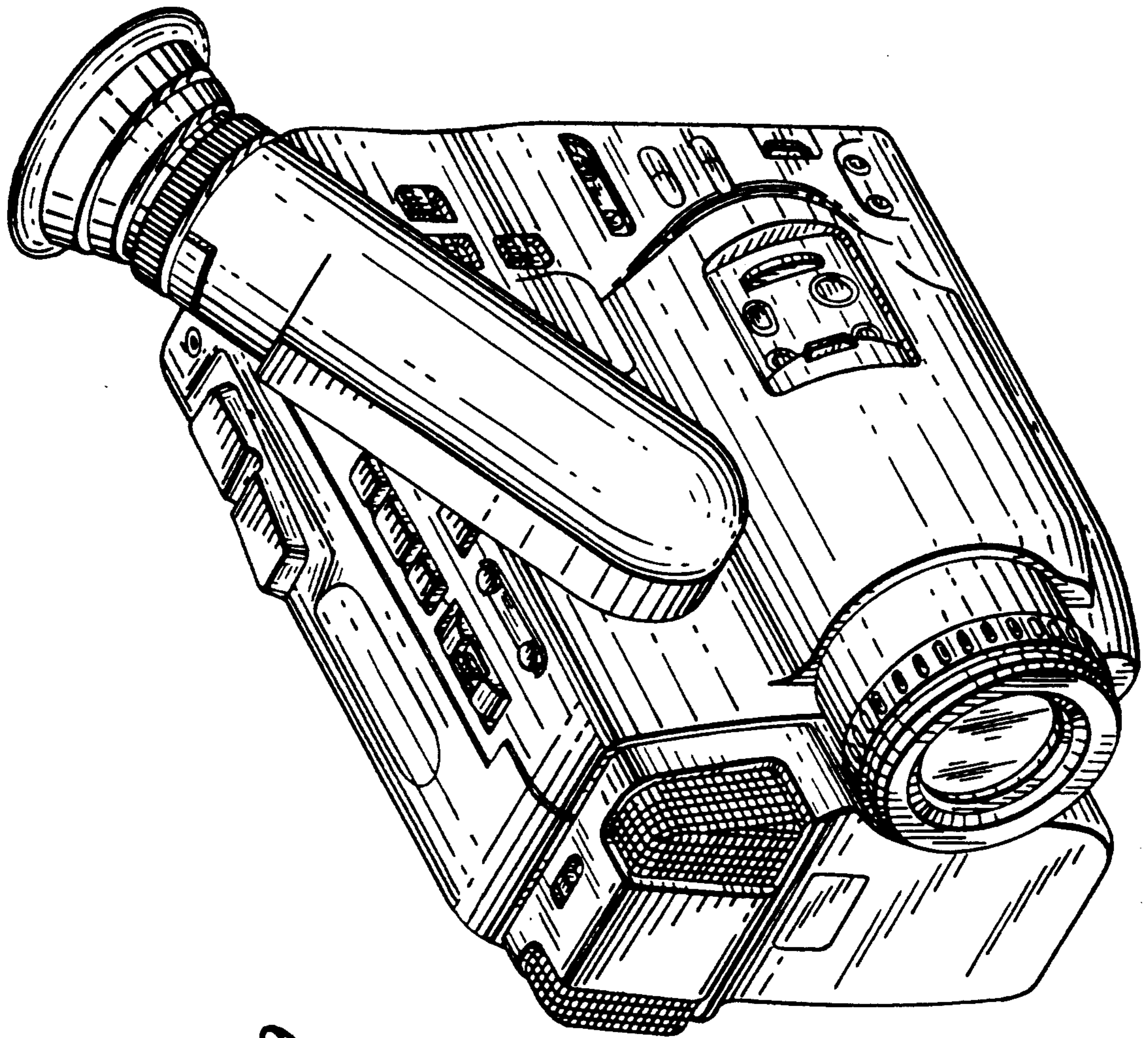
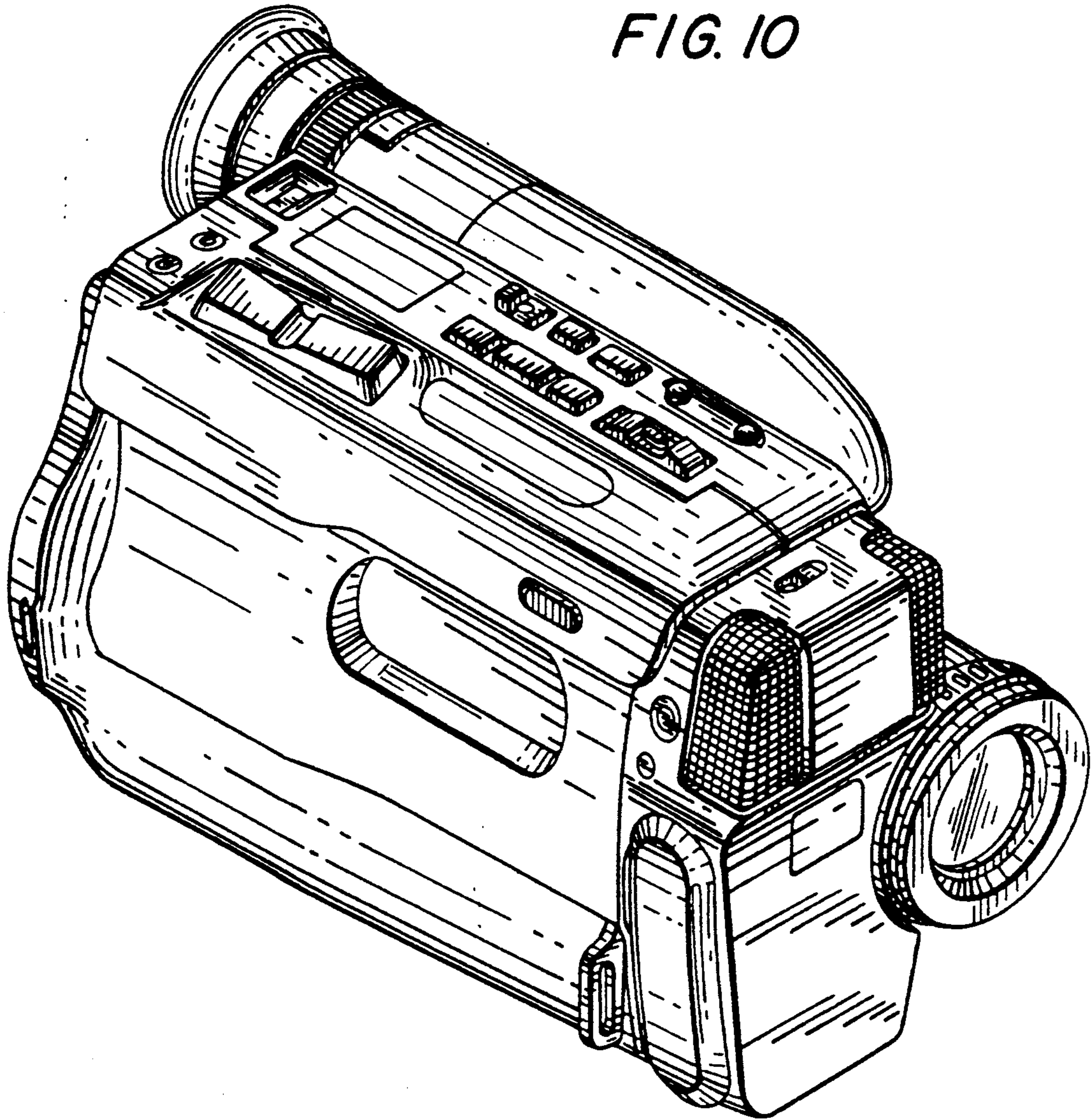


FIG. 9

FIG. 10





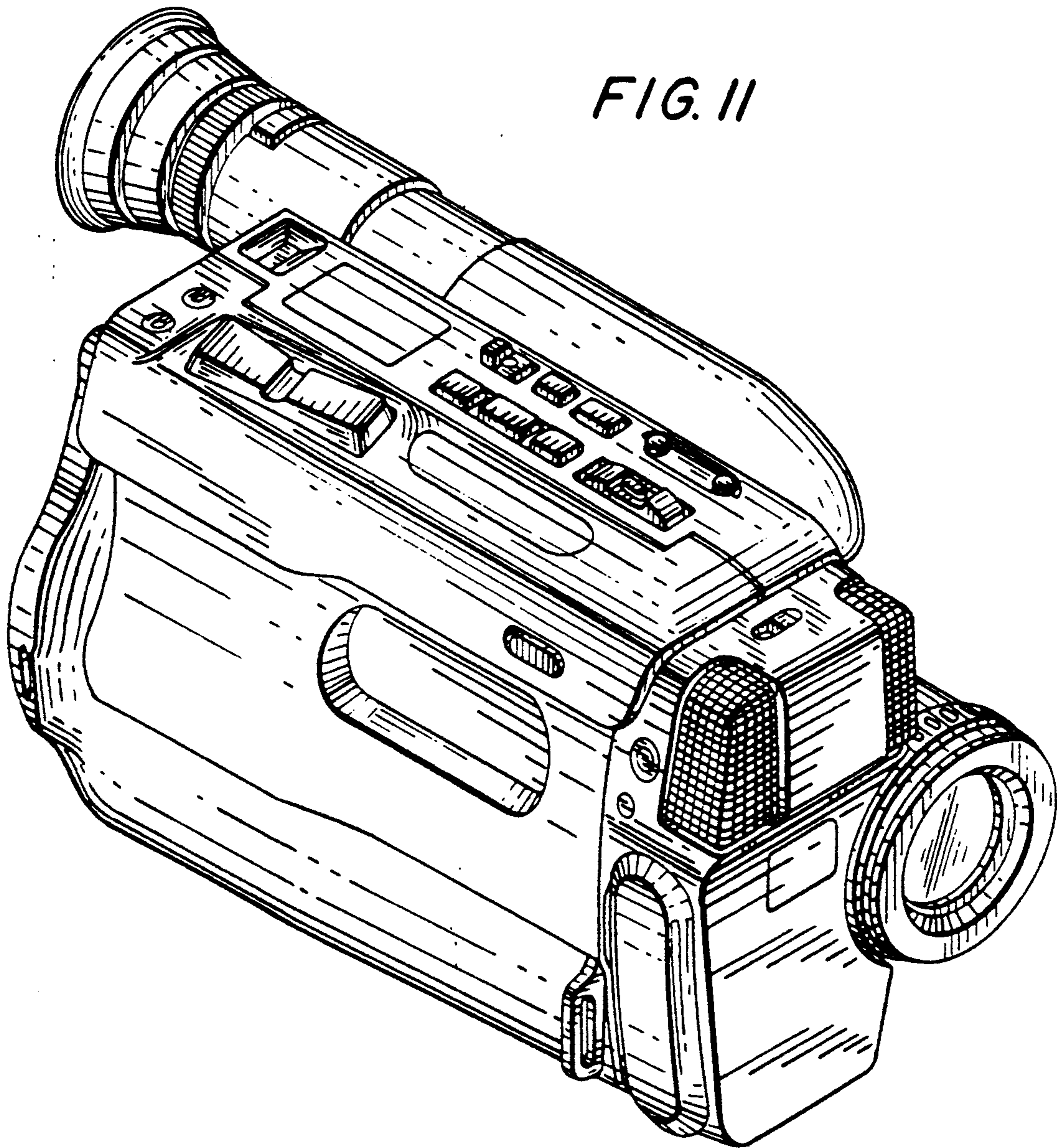


FIG. 12

