



US00D342958S

**United States Patent** [19]  
**Canavan**

[11] **Patent Number: Des. 342,958**  
[45] **Date of Patent: \*\* Jan. 4, 1994**

[54] **EYEGLASSES**

[75] **Inventor: Richard W. Canavan, East Woodstock, Conn.**  
[73] **Assignee: Uvex Safety, LLC, Smithfield, R.I.**  
[\*\*] **Term: 14 Years**  
[21] **Appl. No.: 960**

[22] **Filed: Oct. 30, 1992**  
[52] **U.S. Cl. .... D16/112**  
[58] **Field of Search ..... 2/439-440, 444, 449, 451; 351/44, 57, 87, 103, 158; D16/101, 102, 107, 111-116, 121, 123; D29/8-9**

[56] **References Cited**  
**U.S. PATENT DOCUMENTS**

D. 293,450	12/1987	Jannard	.....	D16/115
D. 309,318	7/1990	Bordonaro	.....	D16/112
322,616	12/1891	Wiedner	.....	D16/102
D. 323,333	1/1992	Jannard	.....	D16/107
D. 331,765	12/1992	Canavan	.....	D16/112
3,233,249	2/1966	Baratelli	.....	351/44
3,384,903	5/1968	Malcom, Jr.	.....	351/44
3,492,062	1/1970	Hoover III	.....	D16/111
4,955,708	9/1990	Kahaney	.....	351/44

**OTHER PUBLICATIONS**

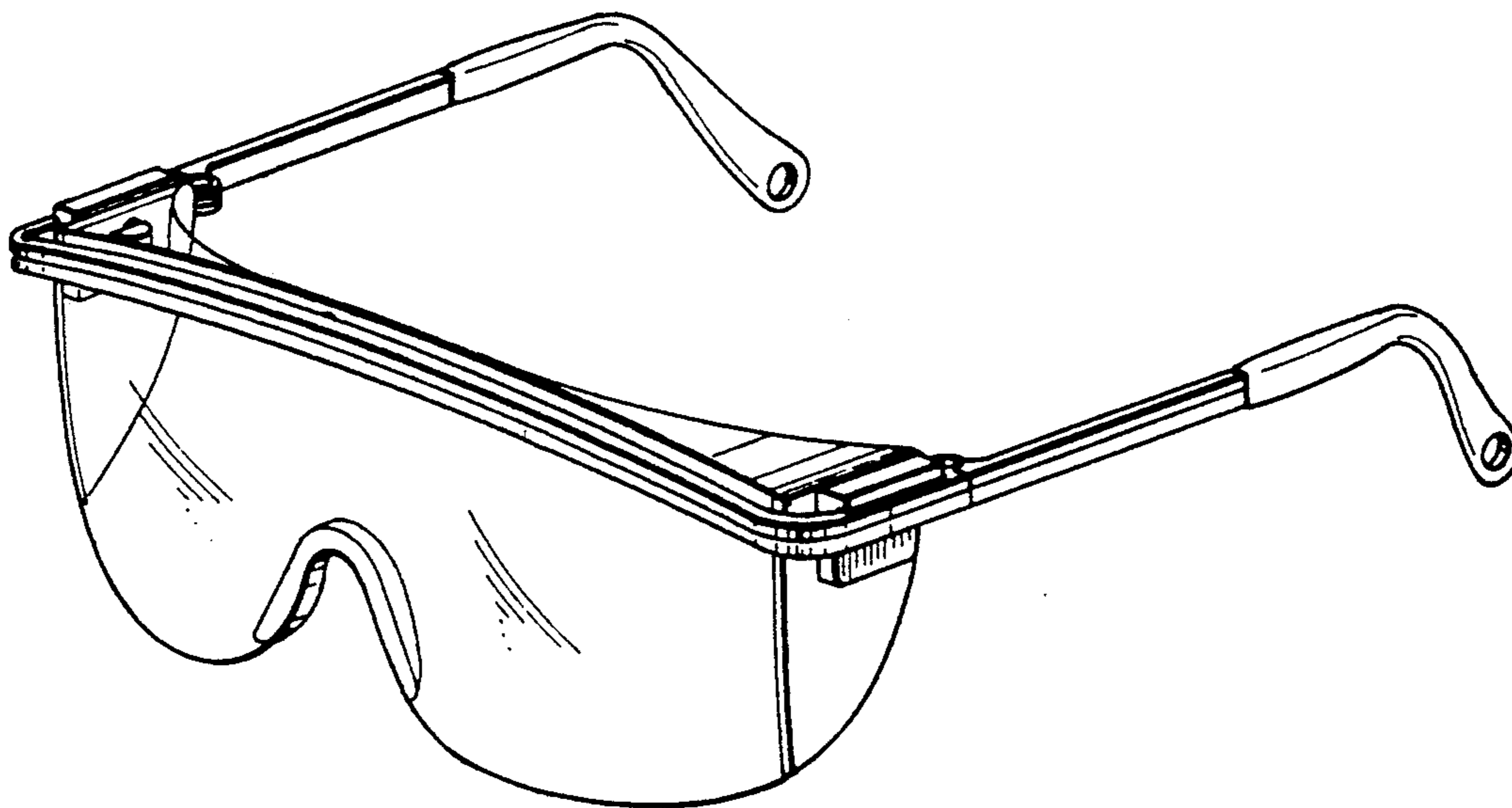
Surfer Mag. Jun. 1989 p. 71 top of page.  
*Primary Examiner*—Bernard Ansher  
*Assistant Examiner*—R. Barkai  
*Attorney, Agent, or Firm*—Salter, Michaelson & Benson

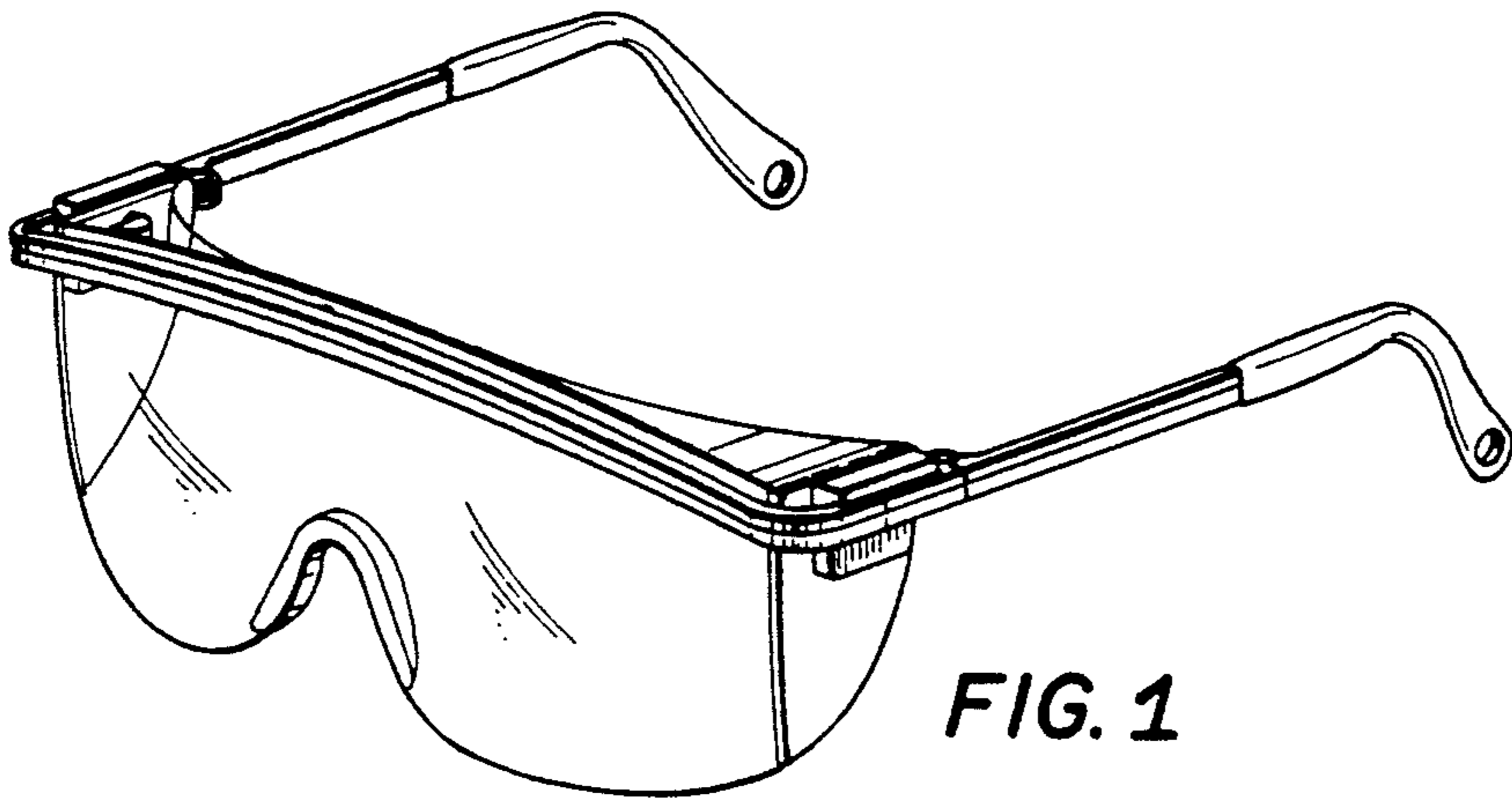
[57] **CLAIM**

The ornamental design for a pair of eyeglasses, as shown and described.

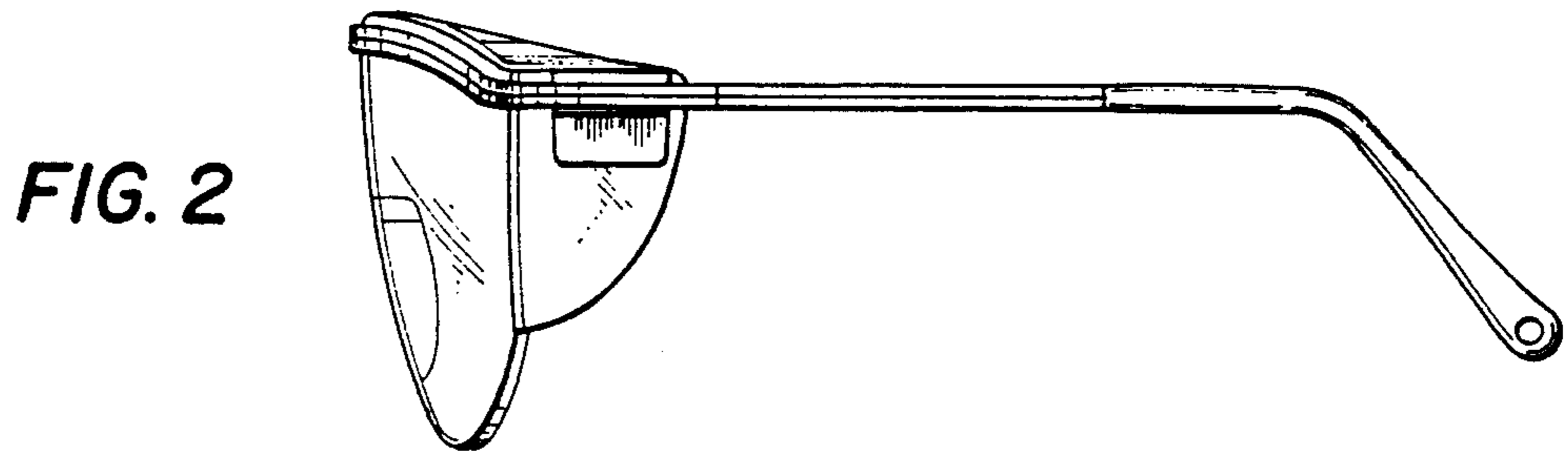
**DESCRIPTION**

FIG. 1 is a perspective view of a pair of eyeglasses embodying my new design;  
FIG. 2 is a side elevational view thereof, the side opposite being a mirror image;  
FIG. 3 is a front elevational view thereof;  
FIG. 4 is a rear elevational view thereof;  
FIG. 5 is a top plan view thereof;  
FIG. 6 is a bottom plan view thereof;  
FIG. 7 is a perspective view of a second embodiment thereof;  
FIG. 8 is a side elevational view thereof, the side opposite being a mirror image;  
FIG. 9 is a front elevational view thereof;  
FIG. 10 is a rear elevational view thereof;  
FIG. 11 is a top plan view thereof; and,  
FIG. 12 is a bottom plan view thereof.

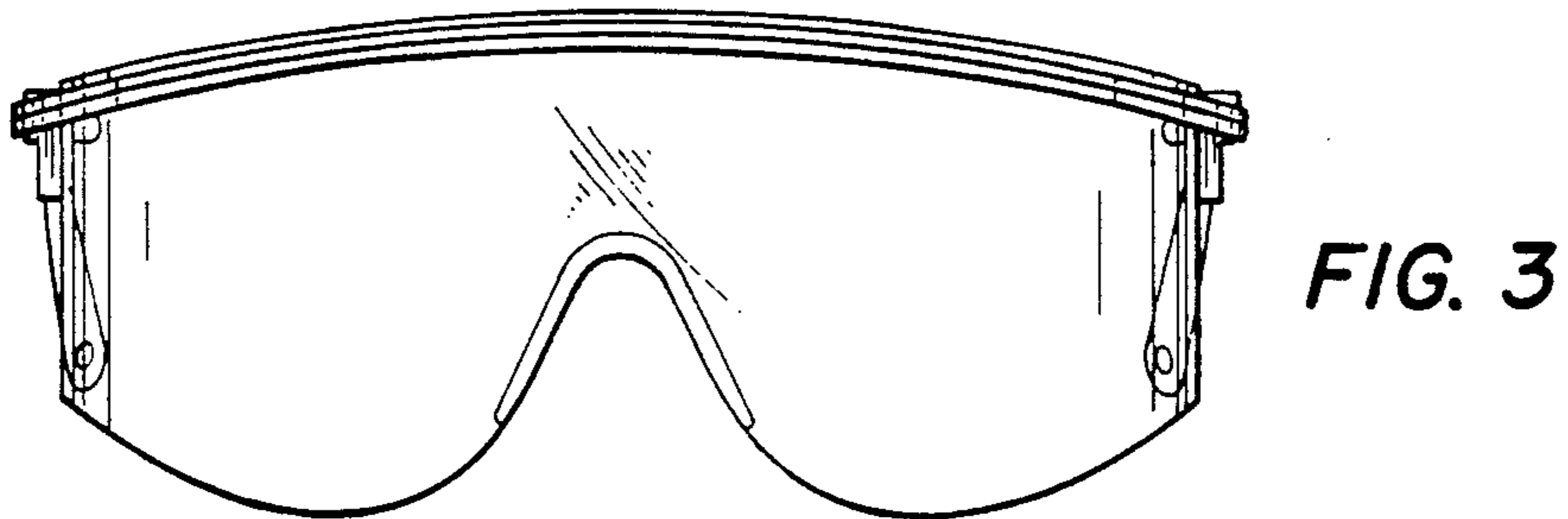




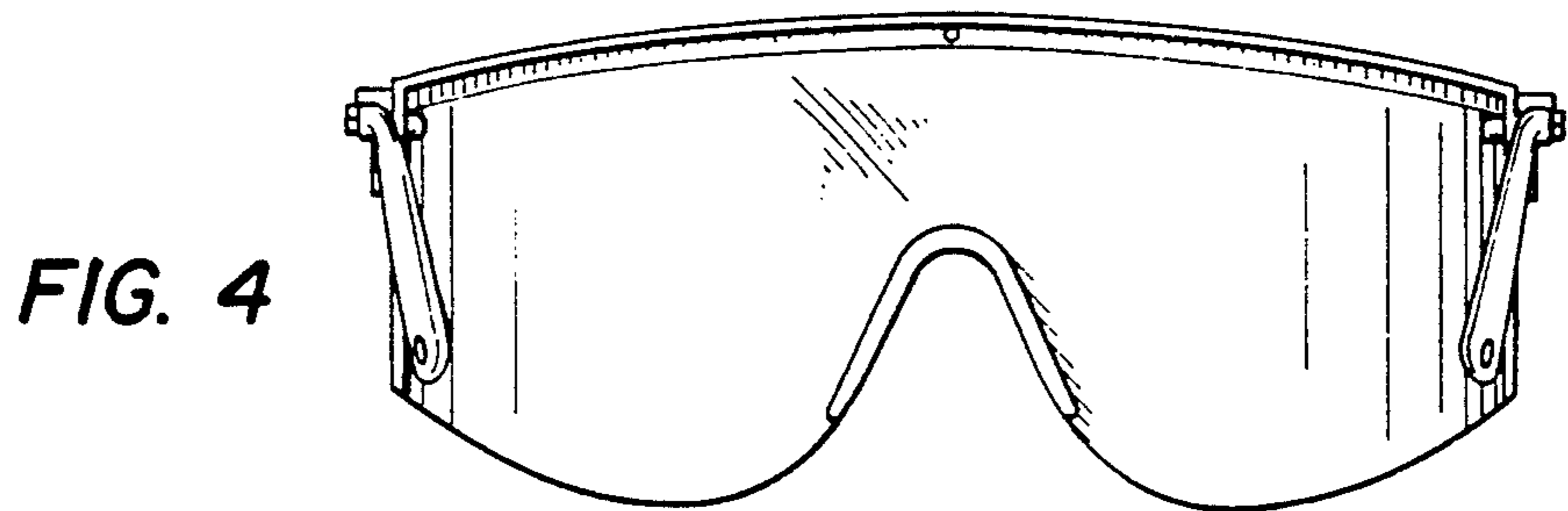
**FIG. 1**



**FIG. 2**



**FIG. 3**



**FIG. 4**

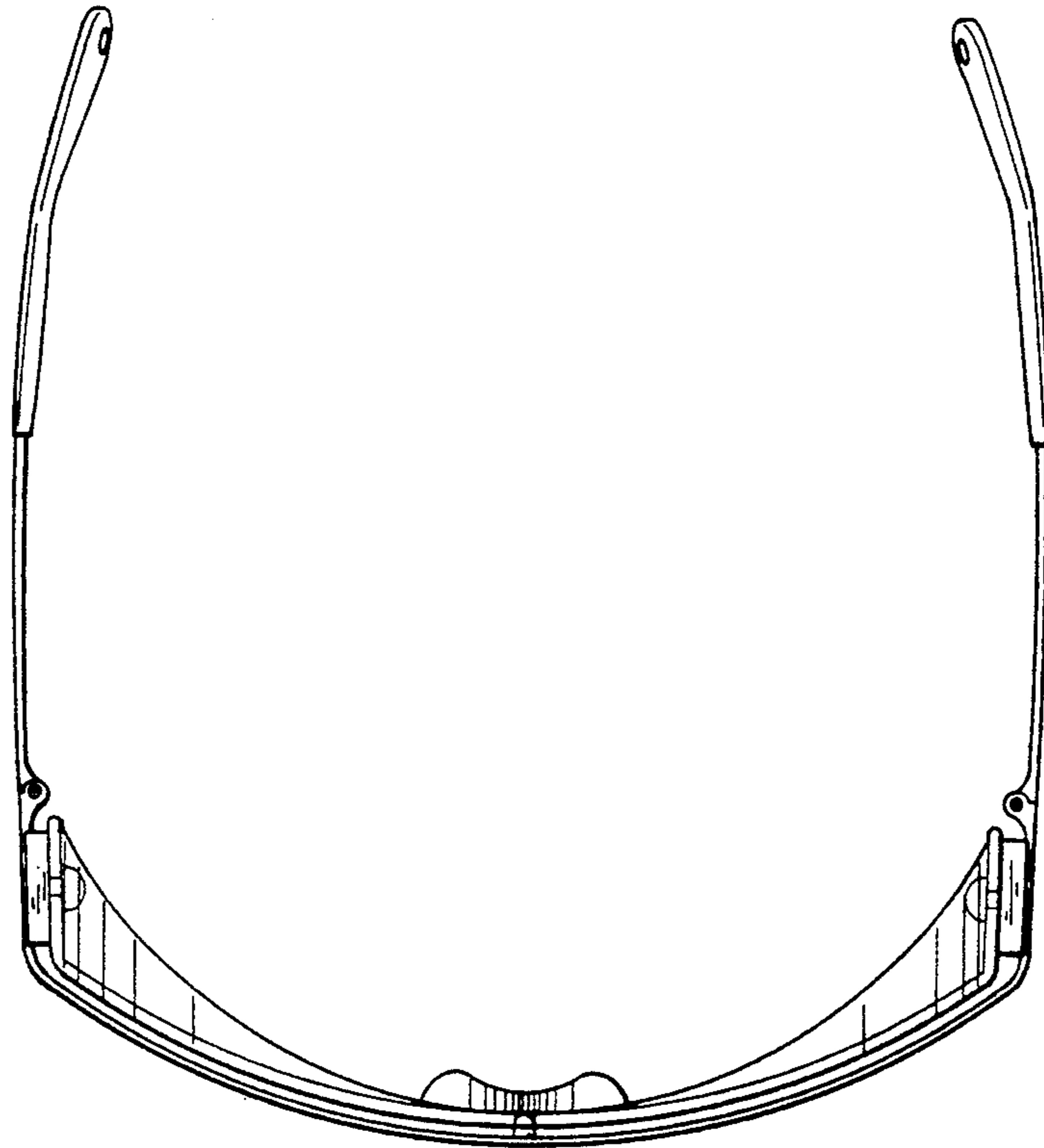


FIG. 5

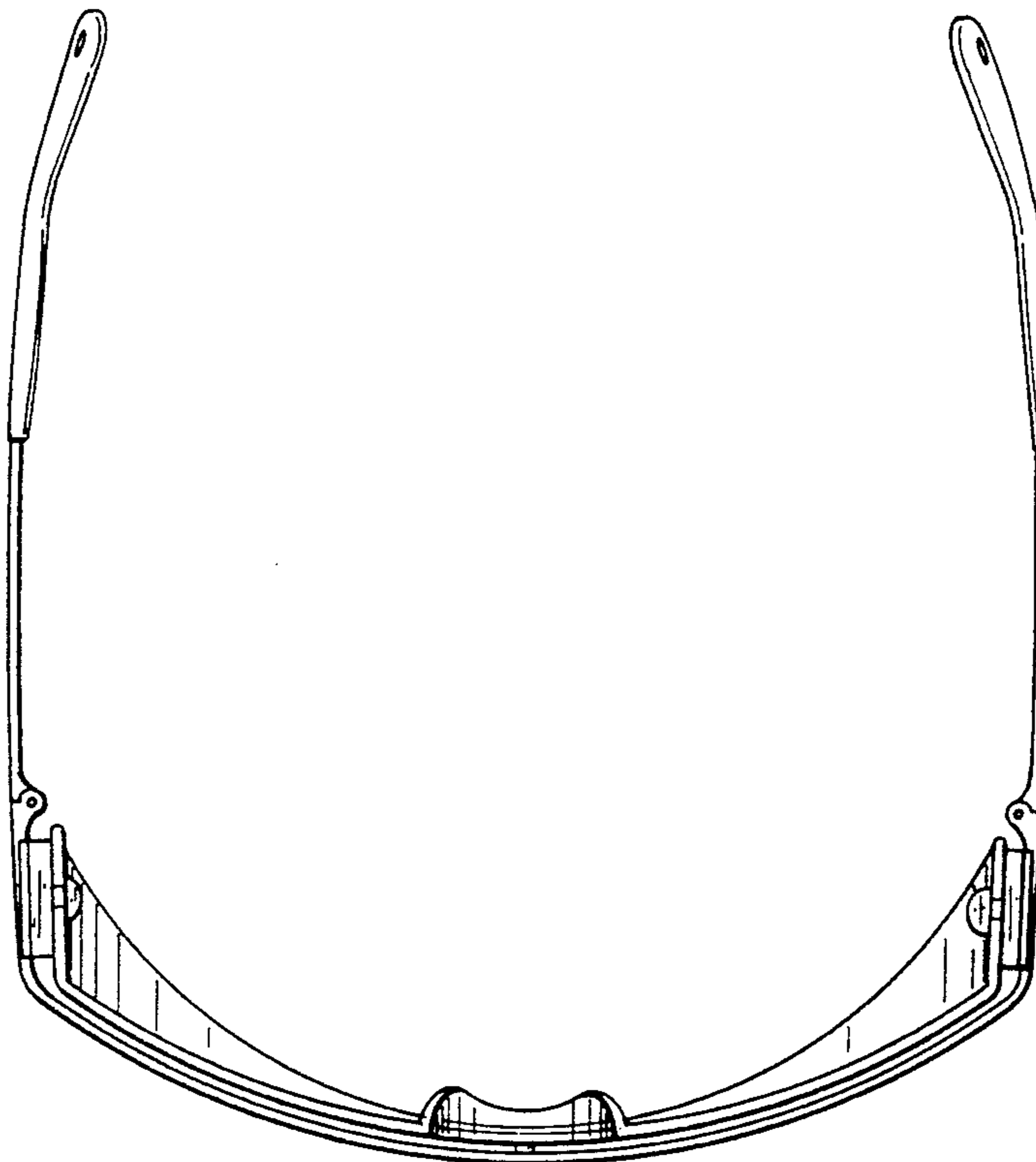
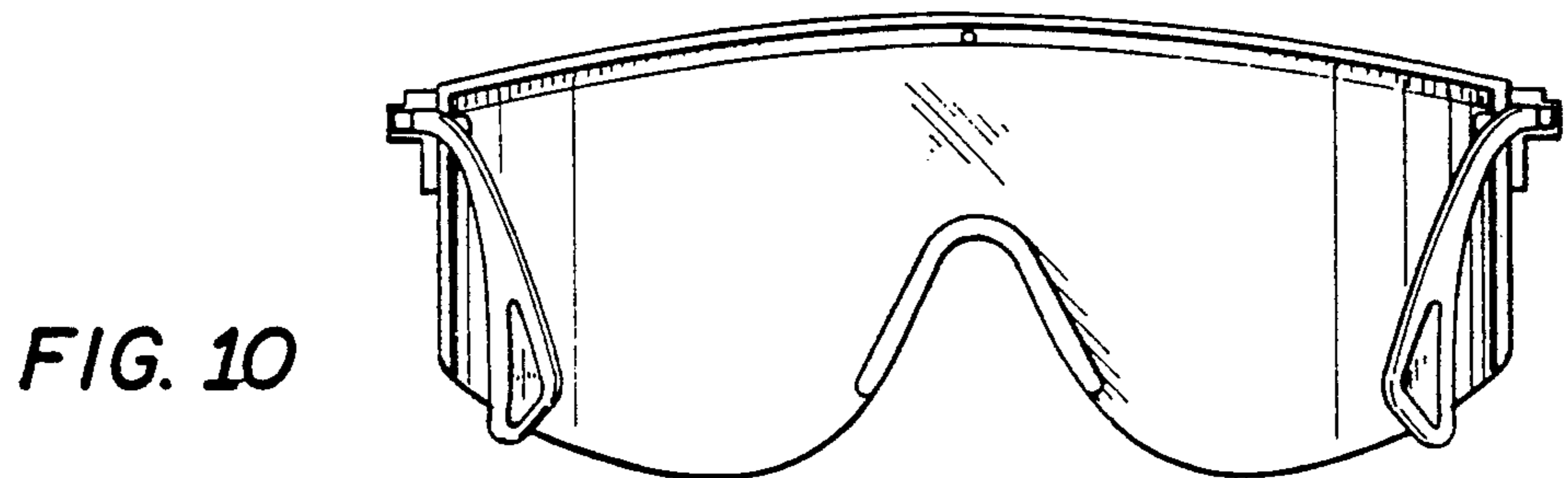
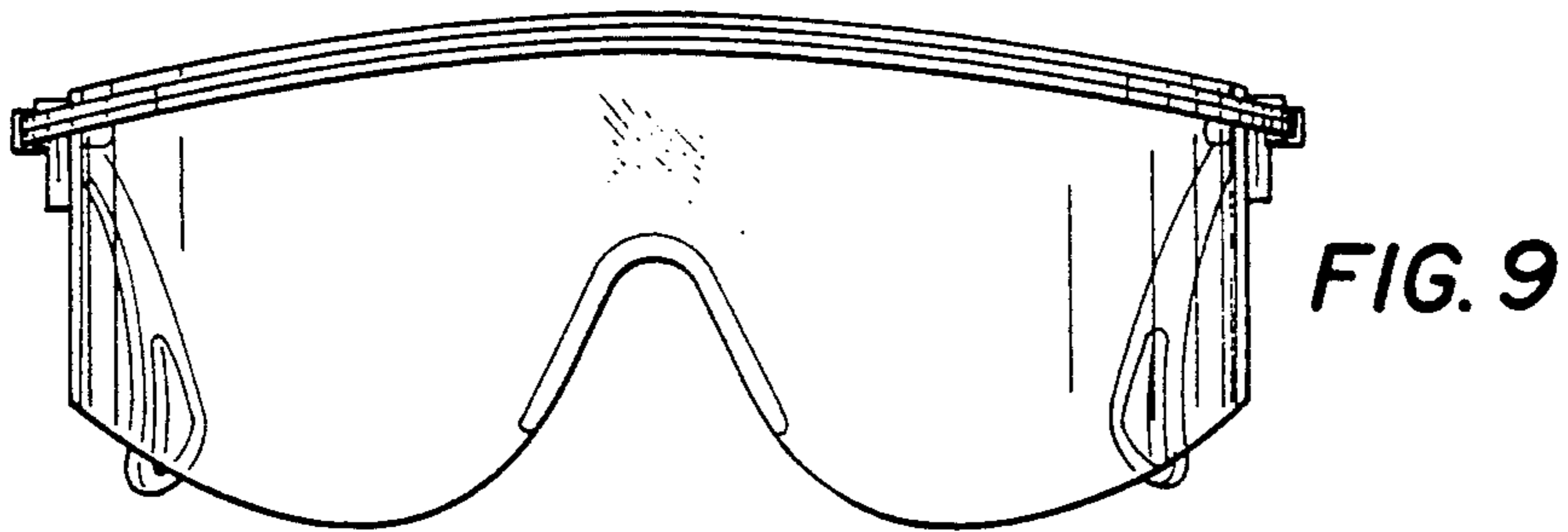
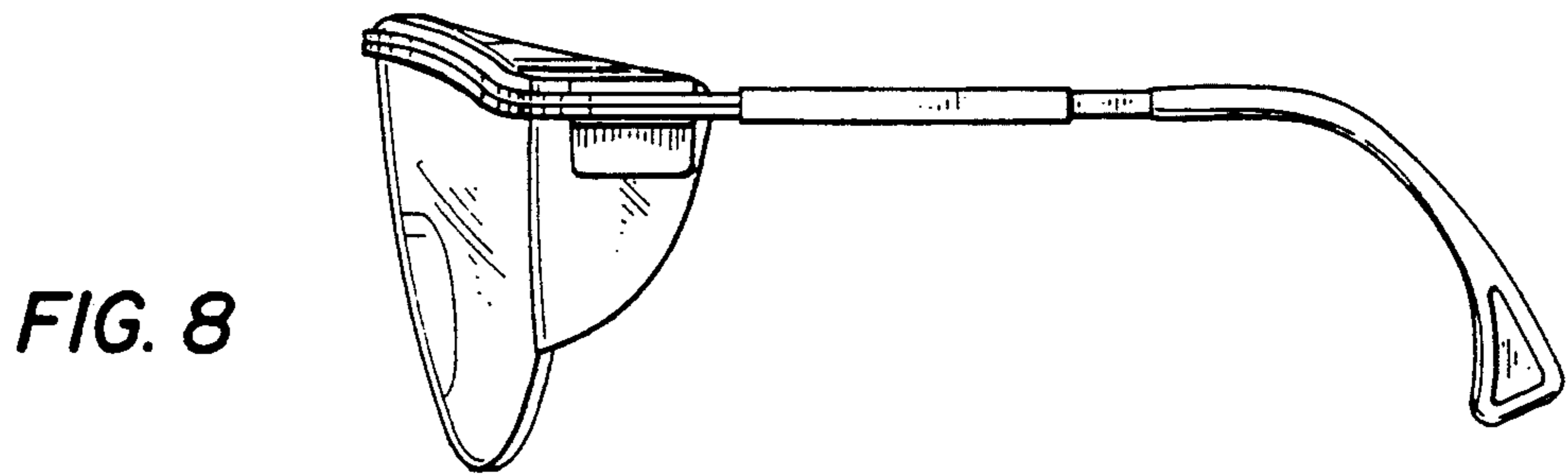
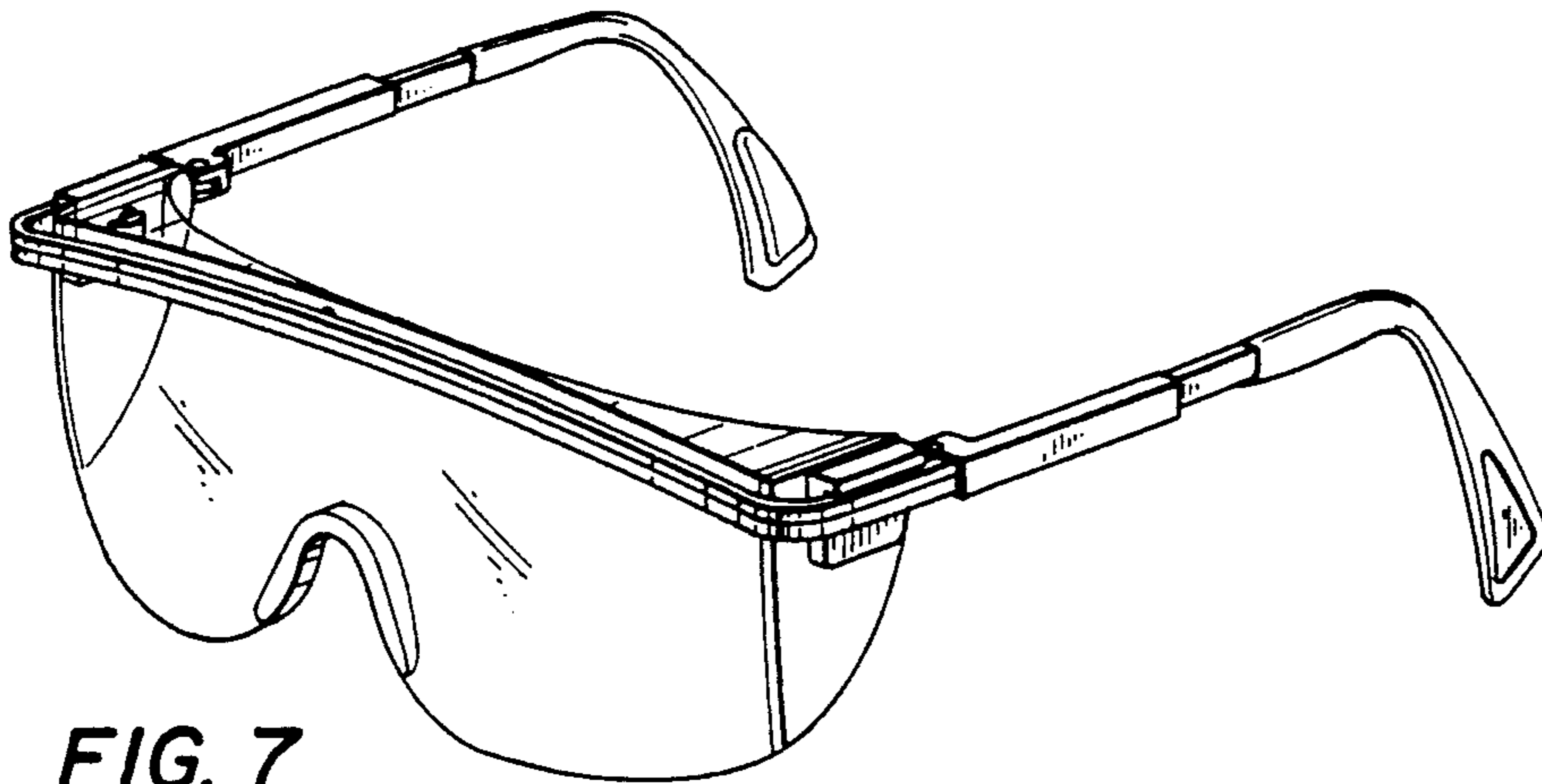
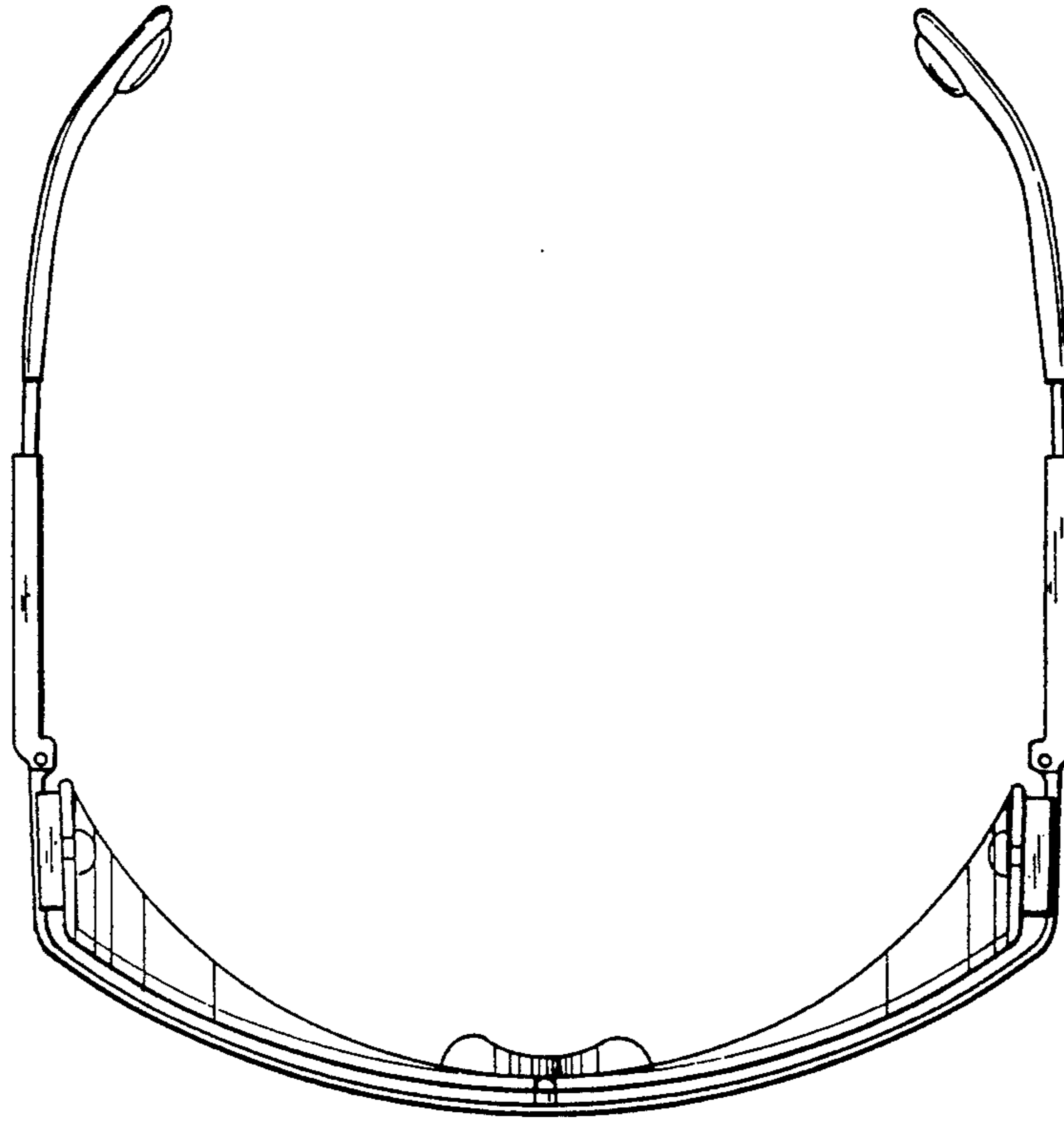
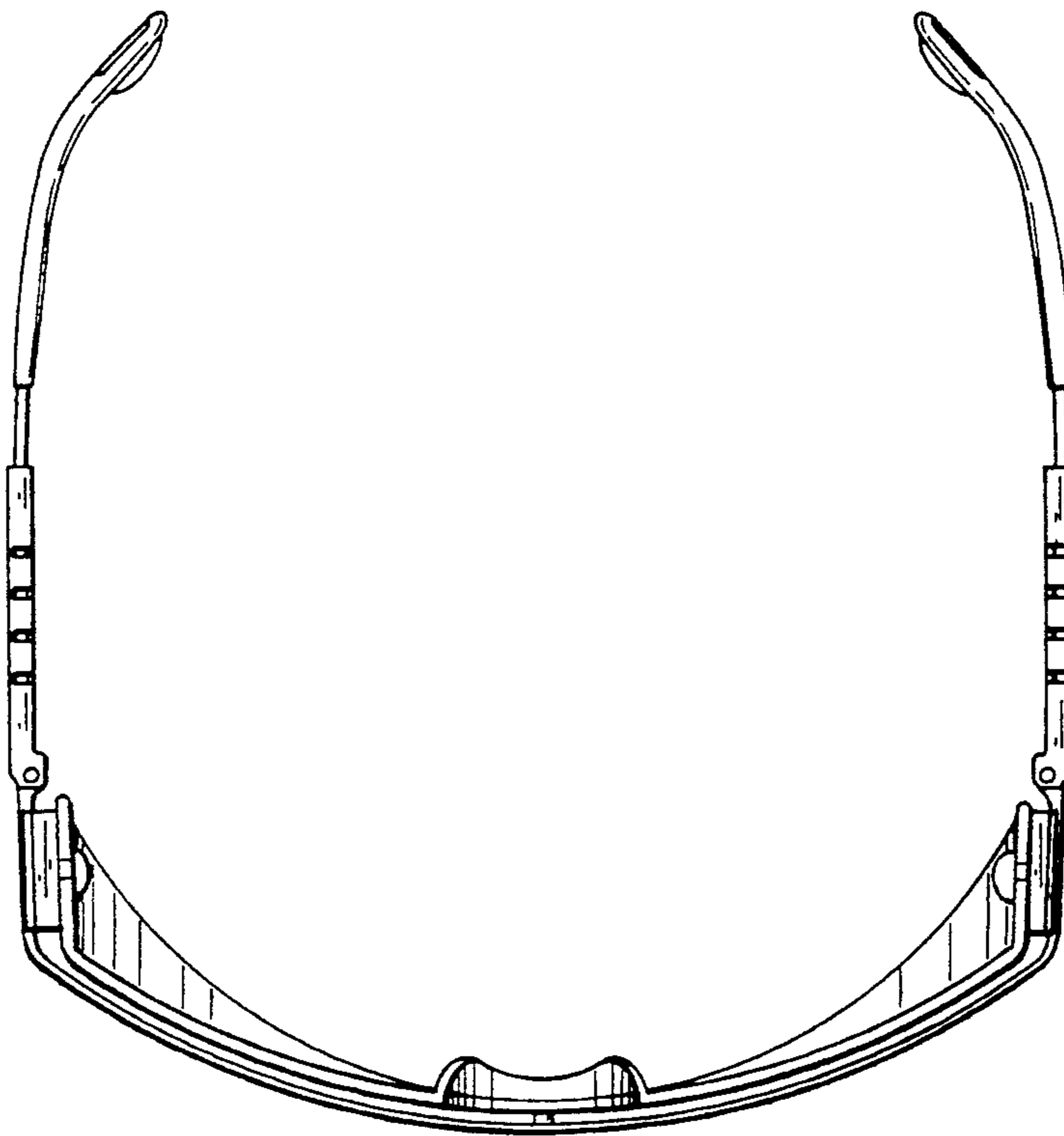


FIG. 6





**FIG. 11**



**FIG. 12**