



US00D342957S

United States Patent [19]

George

[11] Patent Number: **Des. 342,957**

[45] Date of Patent: **** Jan. 4, 1994**

[54] ROTATING DRYER SIPHON

4,516,334 5/1985 Wanke .

[76] Inventor: **Thomas F. George**, 9484
Princeton-Glendale Rd., Hamilton,
Ohio 45011

FOREIGN PATENT DOCUMENTS

889329 4/1957 United Kingdom .

863427 7/1959 United Kingdom .

[**] Term: **14 Years**

Primary Examiner—Nelson C. Holtje
Assistant Examiner—Antoine D. Davis
Attorney, Agent, or Firm—Terry M. Gernstein

[21] Appl. No.: **741,154**

[22] Filed: **Aug. 7, 1991**

[57] **CLAIM**

[52] U.S. Cl. **D15/199; D23/262**

The ornamental design for a rotating dryer siphon, as shown and described.

[58] Field of Search 34/41, 119, 124, 125;
165/89, 90; D15/138, 139, 140, 141, 199;
D23/259, 262; D32/8, 25, 26

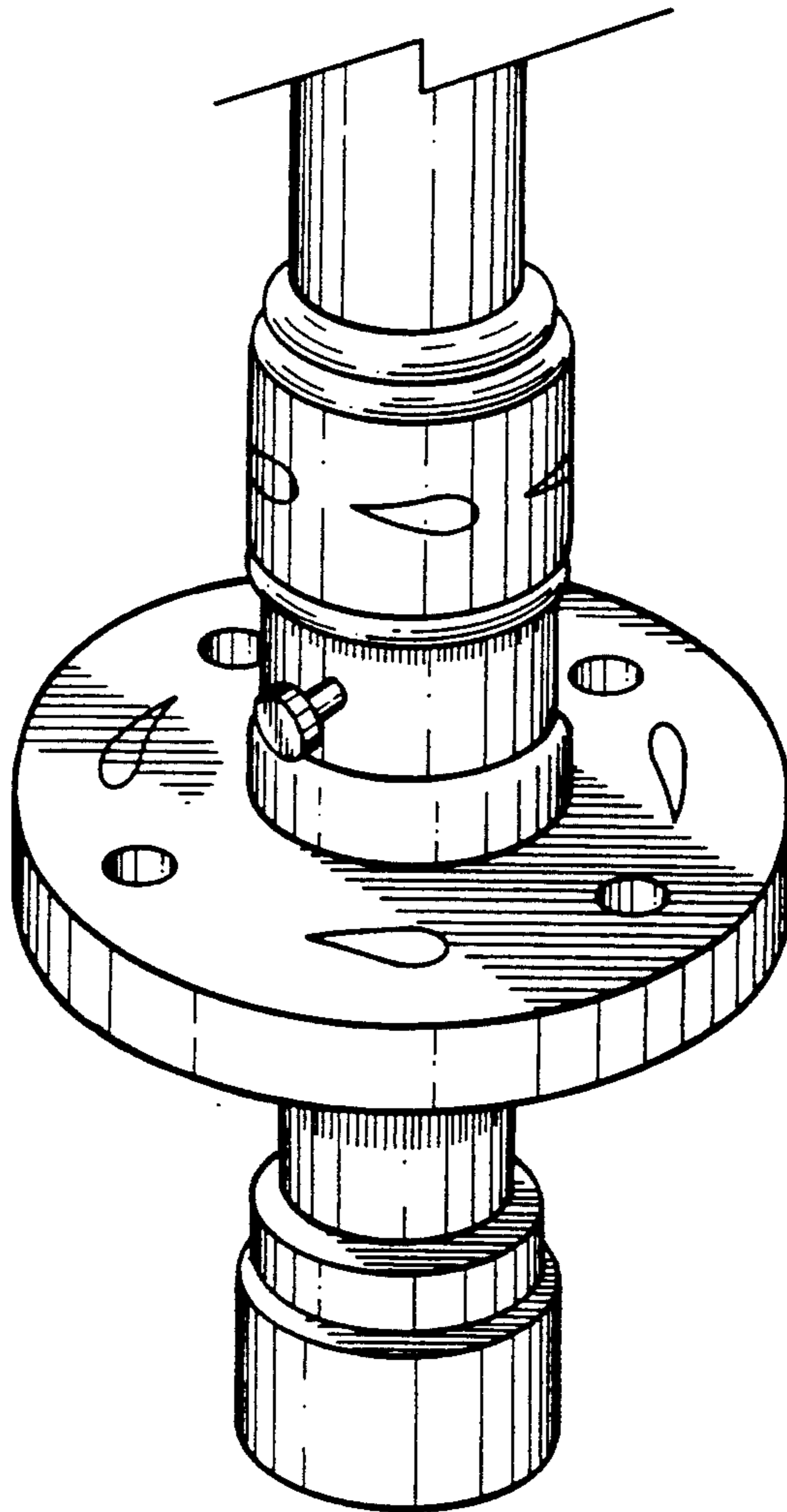
DESCRIPTION

[56] **References Cited**

U.S. PATENT DOCUMENTS

| | | | |
|------------|---------|--------------------|---------|
| D. 254,266 | 2/1980 | Tableriou | D23/262 |
| D. 282,961 | 3/1986 | Ryan | D23/259 |
| D. 313,067 | 12/1990 | Kotake et al. | D23/262 |
| 3,914,875 | 10/1975 | Schiel . | |
| 3,967,386 | 7/1976 | Asfura . | |

FIG. 1 is a perspective view of the rotating dryer siphon embodying the design of the present invention; FIG. 2 is a front elevational view thereof, the rear being a mirror image of the front shown in FIG. 2; FIG. 3 is a side elevational view thereof, the side opposite being a mirror image of the side shown in FIG. 3; FIG. 4 is a top plan view thereof; and, FIG. 5 is a bottom view thereof.



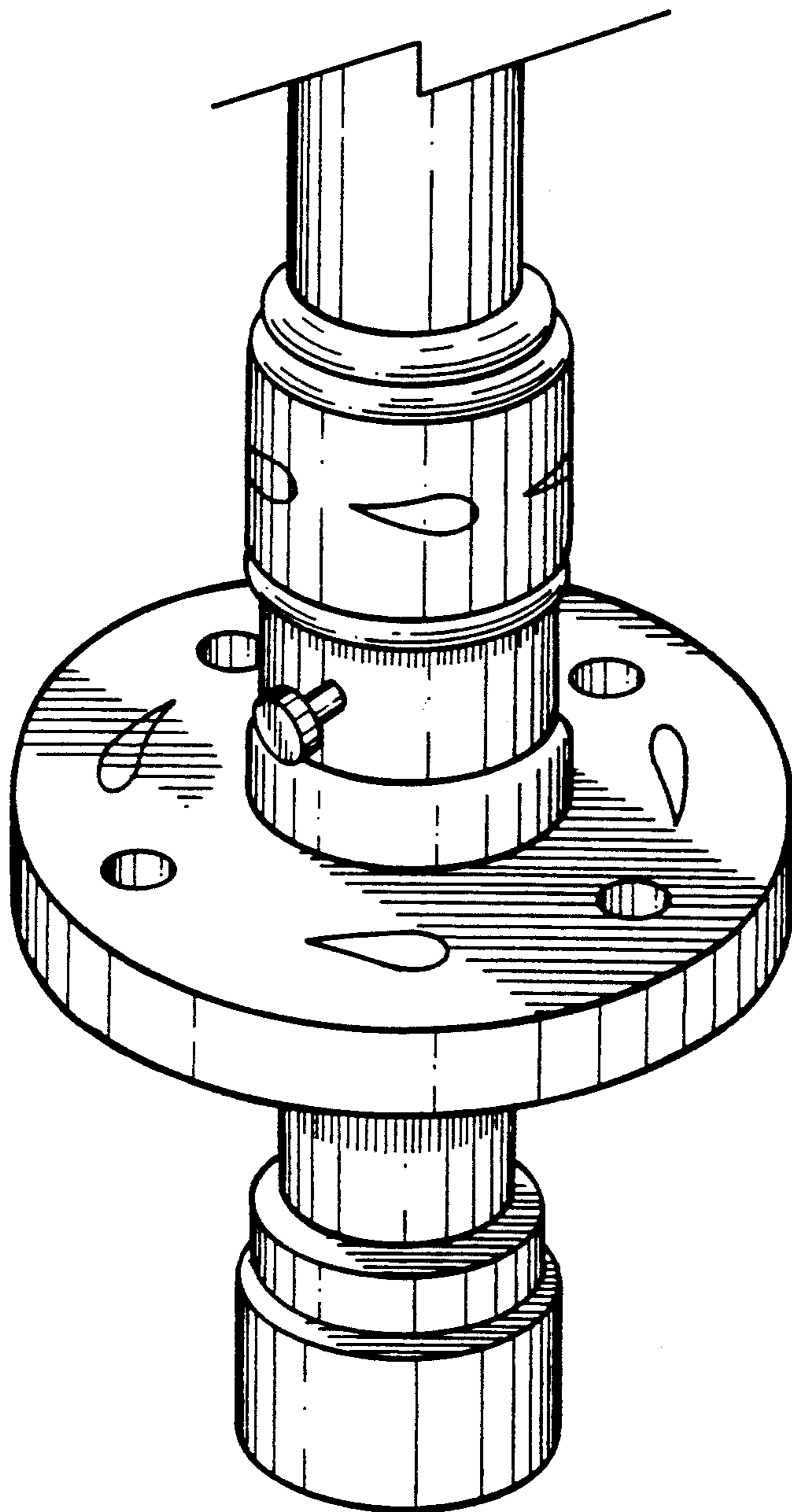


FIG. 1.

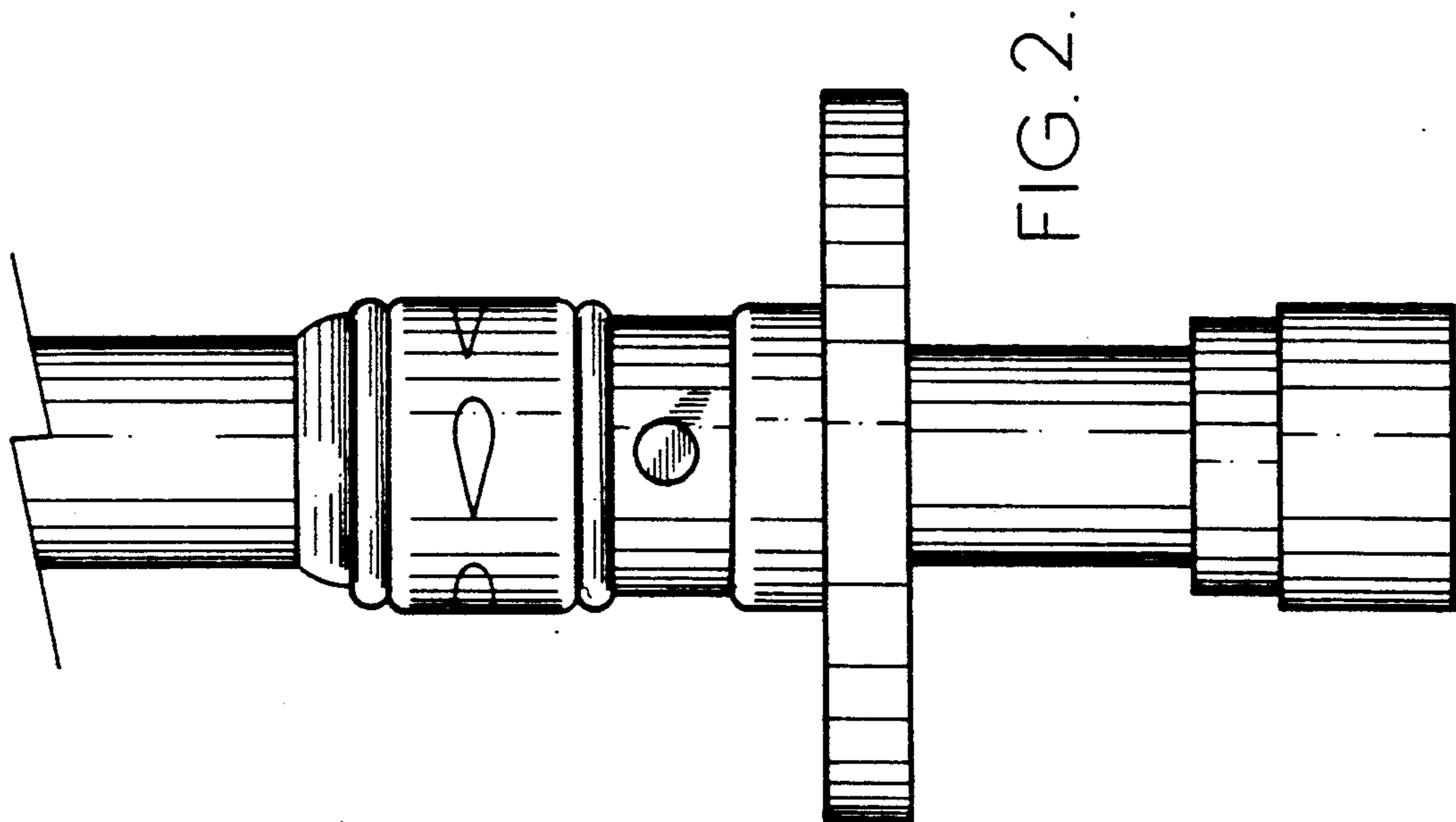
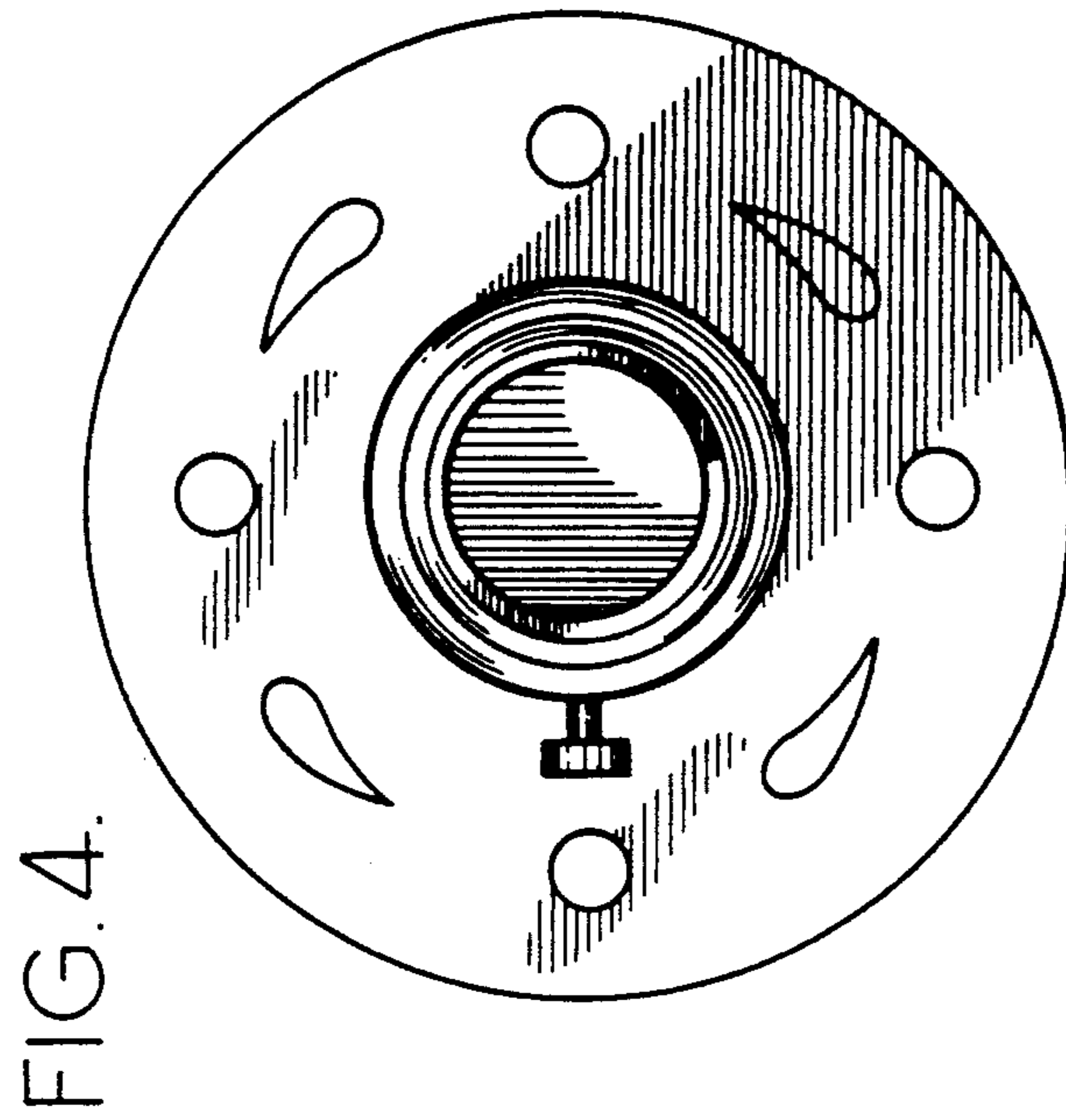


FIG. 5.

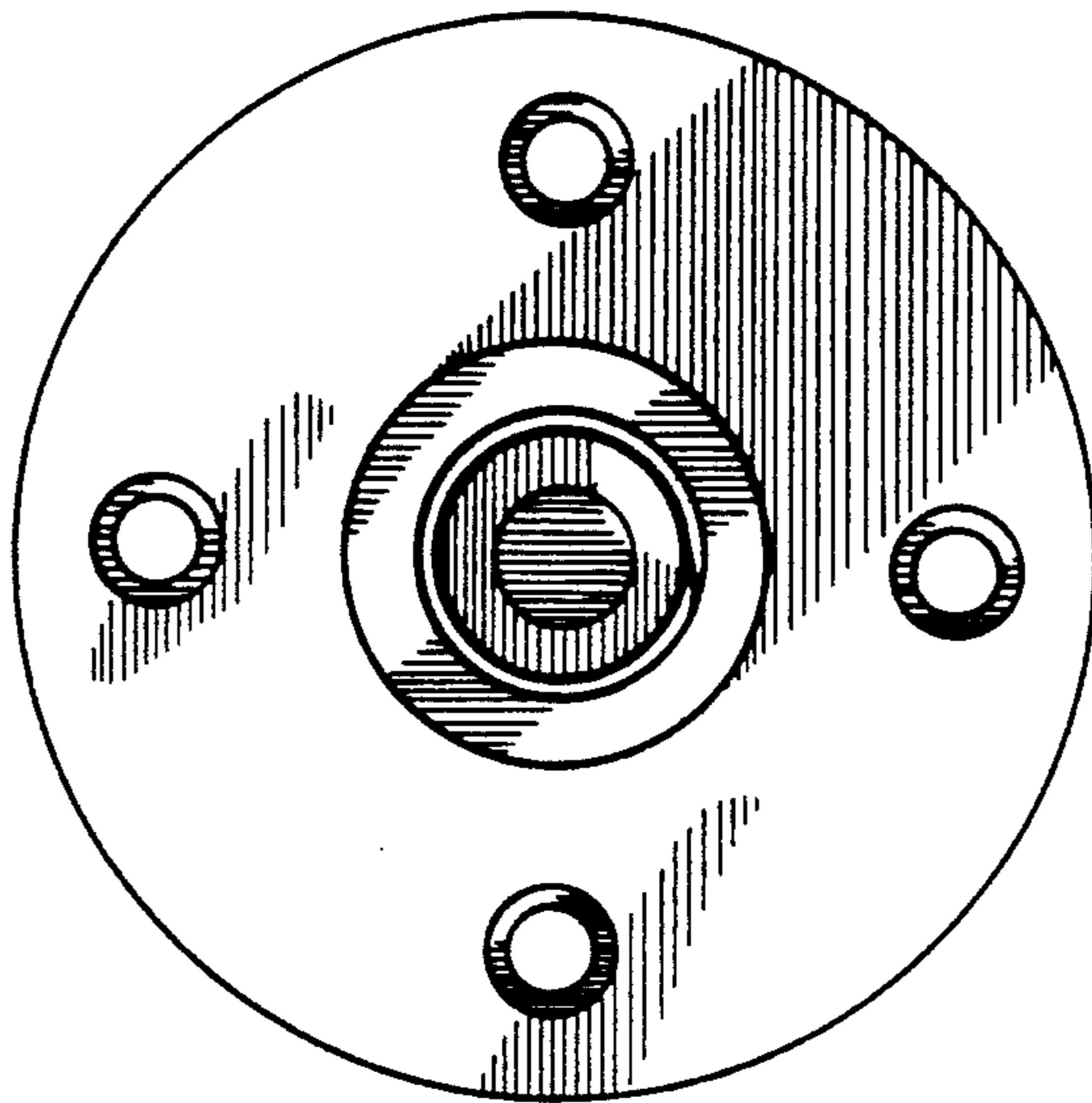


FIG. 3.

