



US00D342953S

United States Patent [19]
Yoder

[11] **Patent Number: Des. 342,953**
[45] **Date of Patent: ** Jan. 4, 1994**

[54] **MOBILE ANTENNA MOUNTING CLAMP**

[75] **Inventor: Ronald L. Yoder, Topeka, Ind.**

[73] **Assignee: Universal Consolidated Methods, Inc., Topeka, Ind.**

[**] **Term: 14 Years**

[21] **Appl. No.: 6,155**

[22] **Filed: Mar. 22, 1993**

D. 294,702 3/1988 Yoder D14/238
D. 311,189 10/1990 Lazzeroni et al. D8/396 X
3,967,275 6/1976 Wagman 343/715 X
5,020,765 6/1991 Evans et al. 343/715 X

*Primary Examiner—Theodore M. Shooman
Attorney, Agent, or Firm—Roger M. Rickert*

Related U.S. Application Data

[62] Division of Ser. No. 771,999, Oct. 7, 1991.

[52] **U.S. Cl. D14/238; D8/396**

[58] **Field of Search** 343/711, 713, 715, 872, 900, 906,
741, 748, 882, 720, 808, 805, 878,
795, 912, 873, 745, 749, 901, 903;
D8/376, 380, 396, D14/230-238,
124, 217, 219

[56] **References Cited**

U.S. PATENT DOCUMENTS

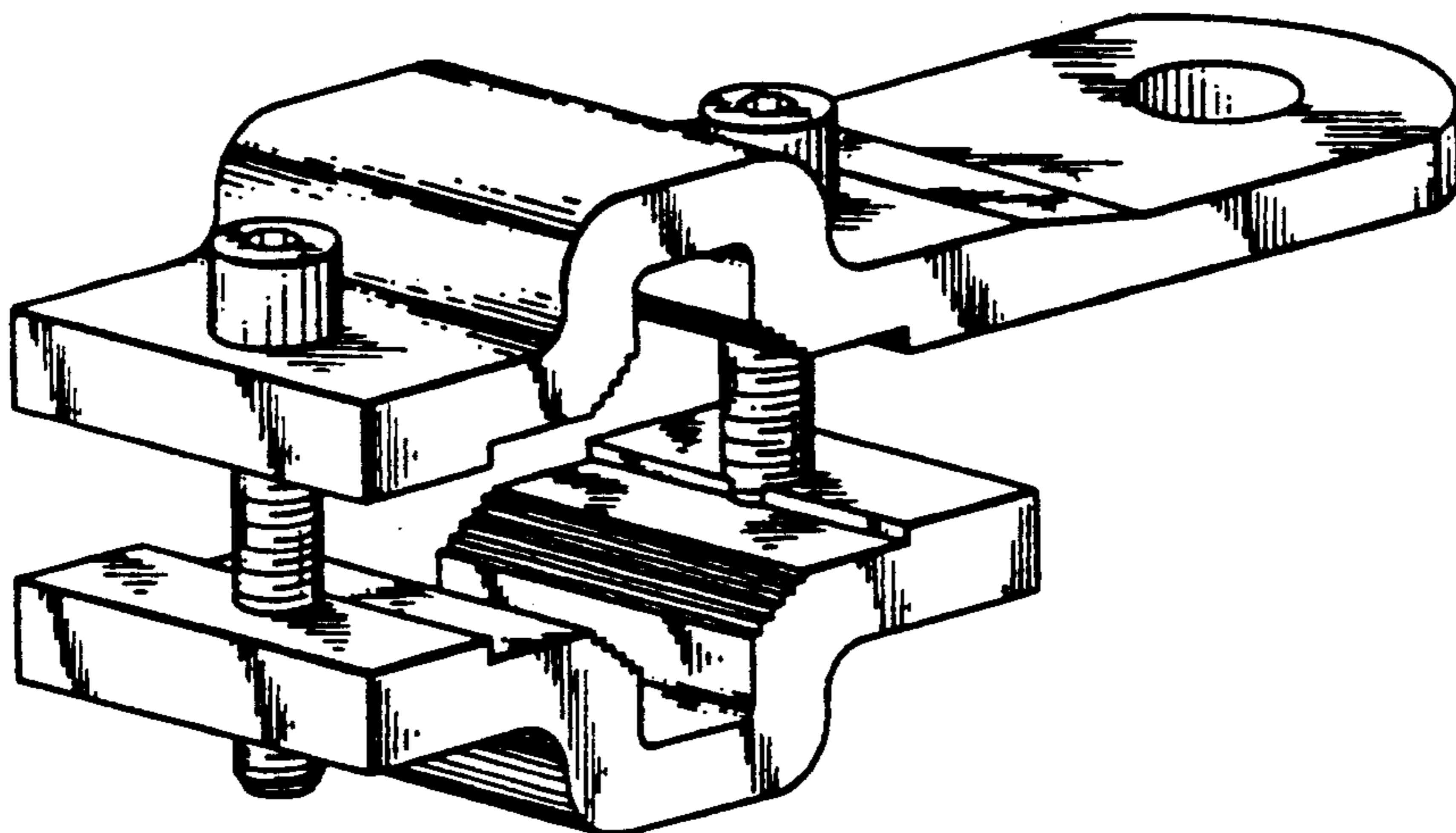
D. 221,928 9/1971 Zucconi D8/396
D. 279,473 7/1985 Hochstetler et al. D14/238

[57] **CLAIM**

The ornamental design for a mobile antenna mounting clamp, as shown and described.

DESCRIPTION

FIG. 1 is a front, top and left perspective view of a mobile antenna mounting clamp illustrating my improved design;
FIG. 2 is a top plan view thereof;
FIG. 3 is a front elevation view thereof;
FIG. 4 is a left side elevational view of the side shown in FIG. 1 with the view from the opposite side being substantially the mirror image thereof;
FIG. 5 is a rear elevation view thereof; and,
FIG. 6 is a bottom plan view thereof.



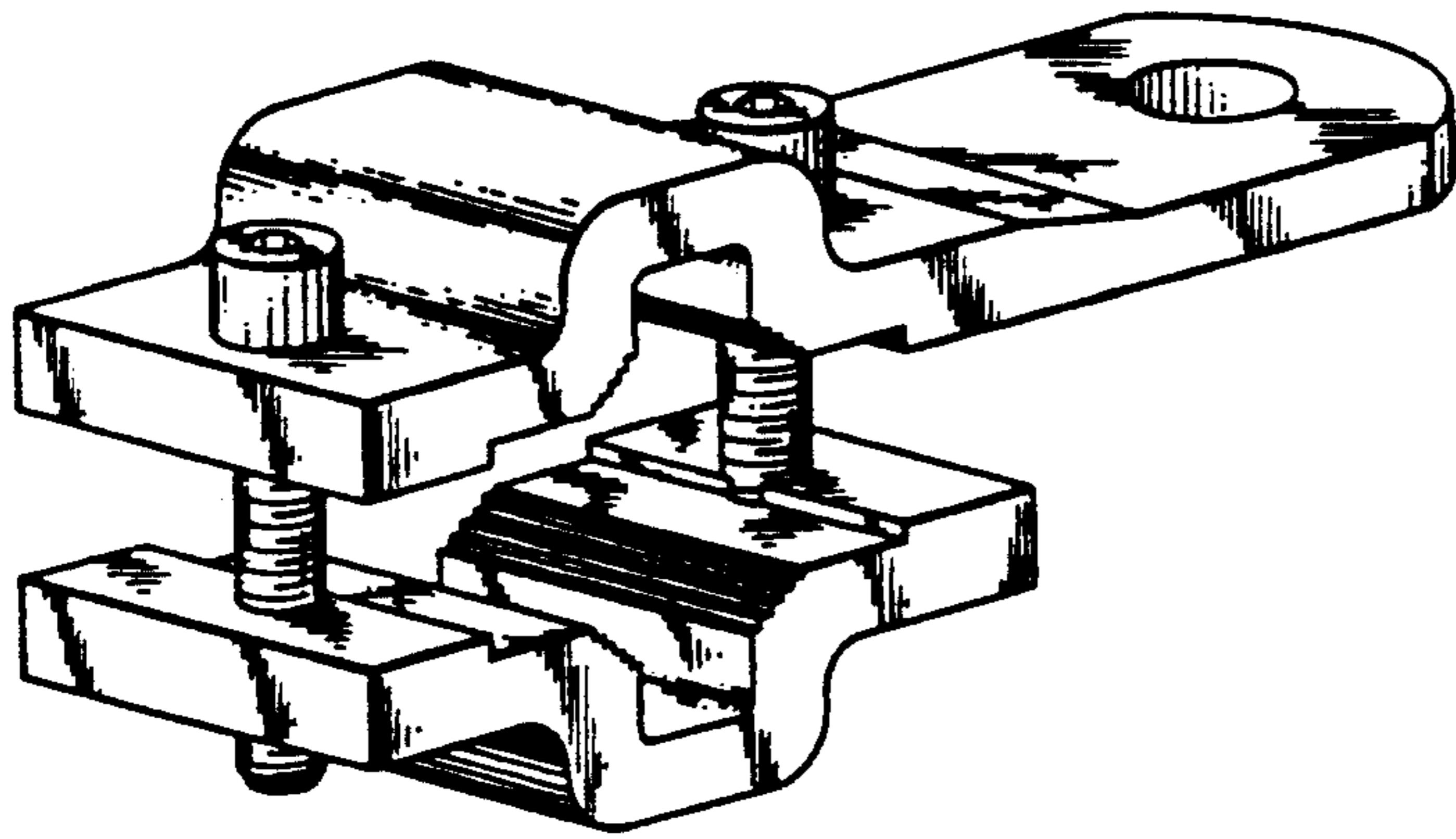


FIG. 1

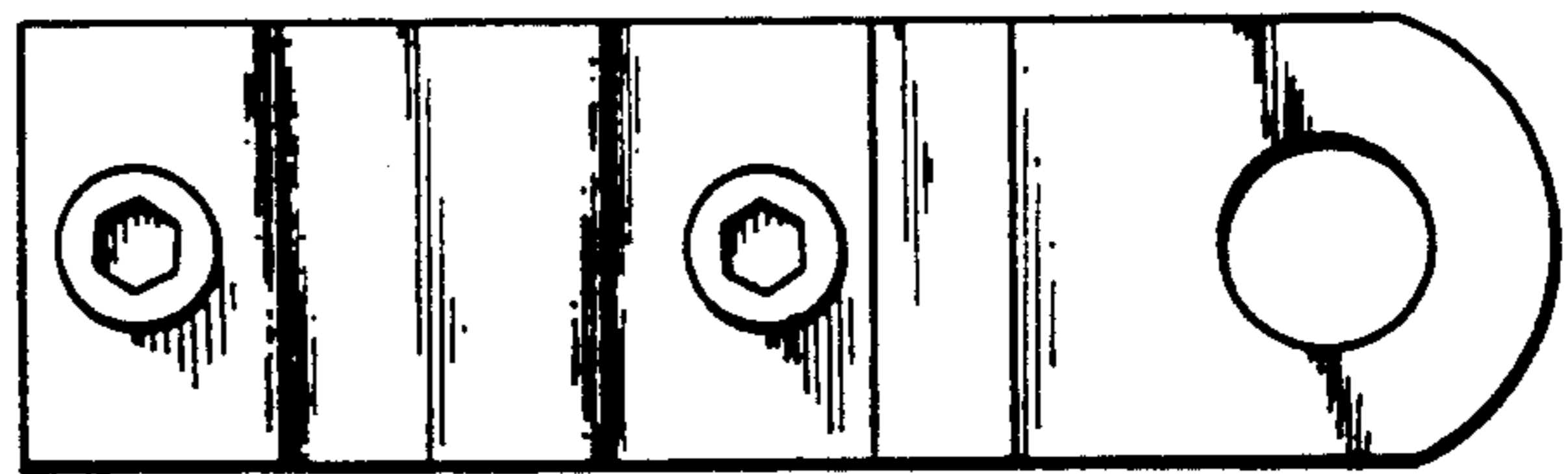


FIG. 2

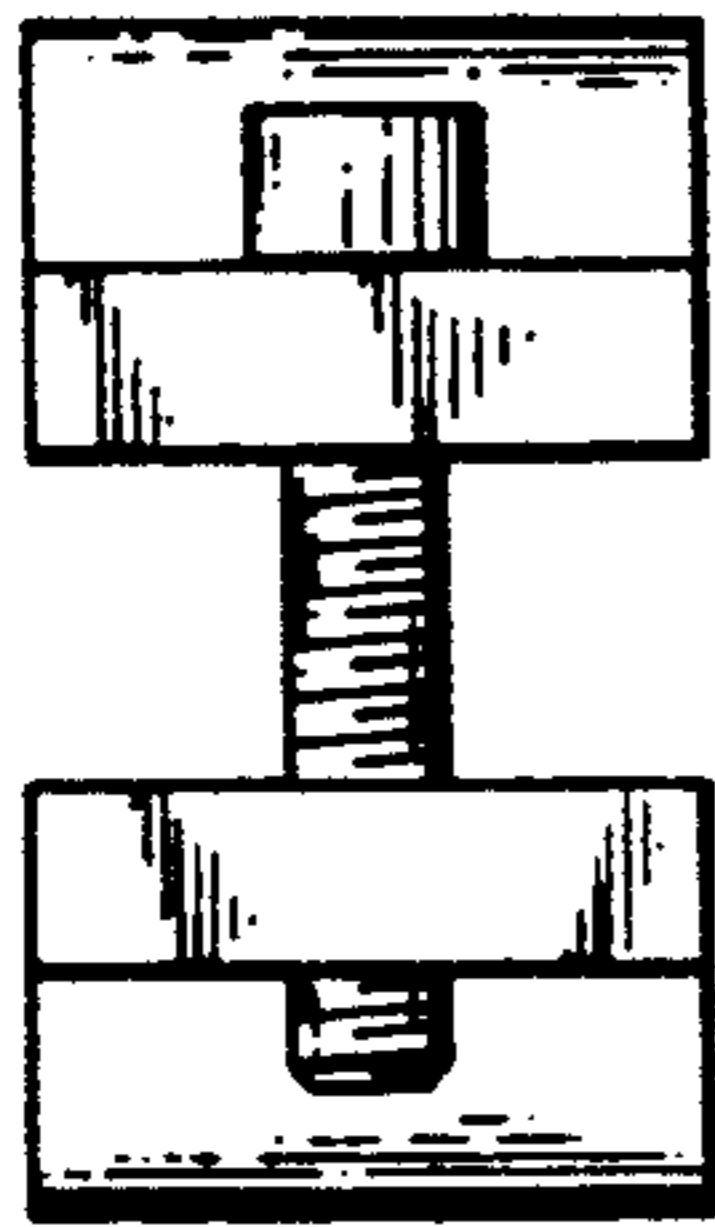


FIG. 3

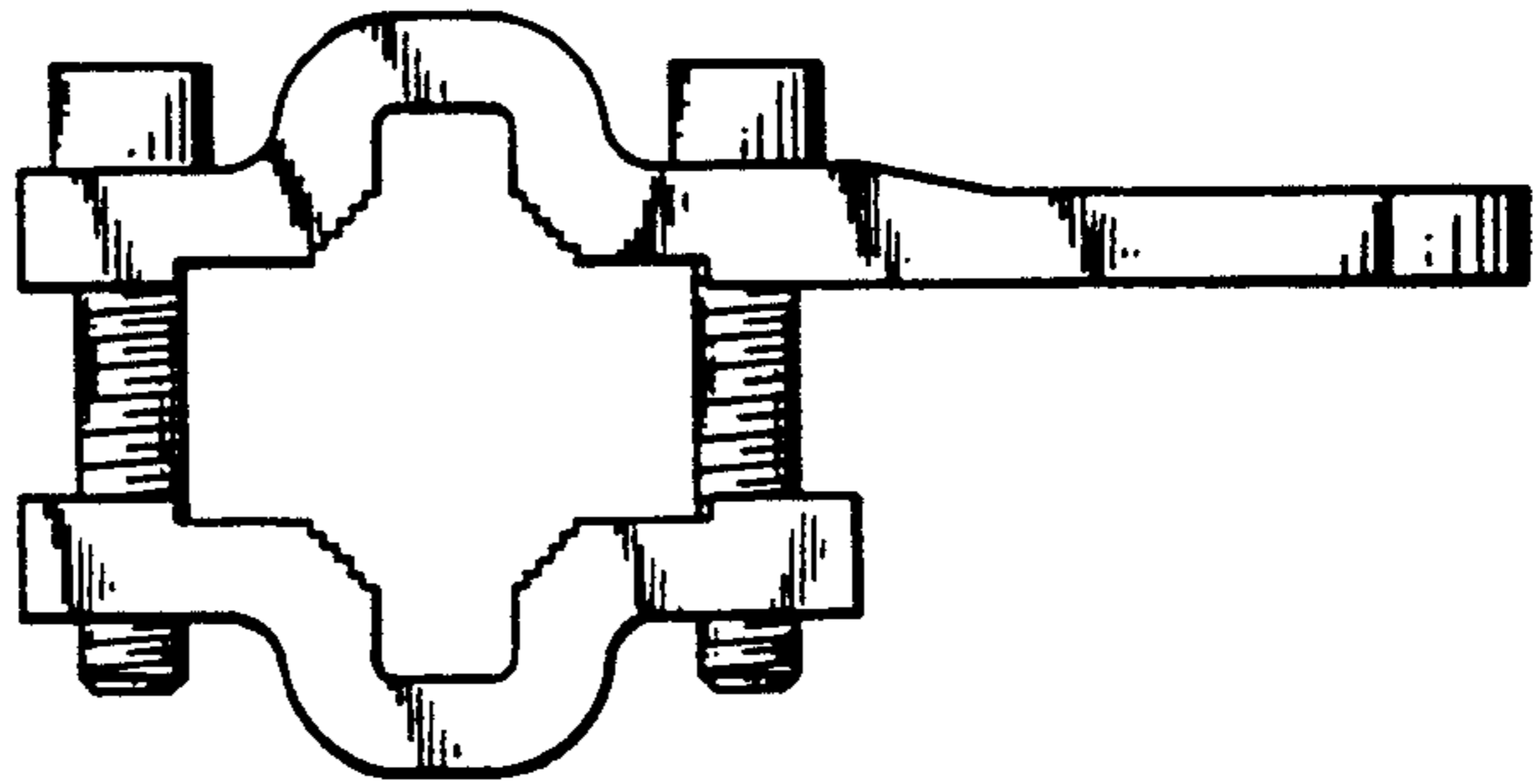


FIG. 4

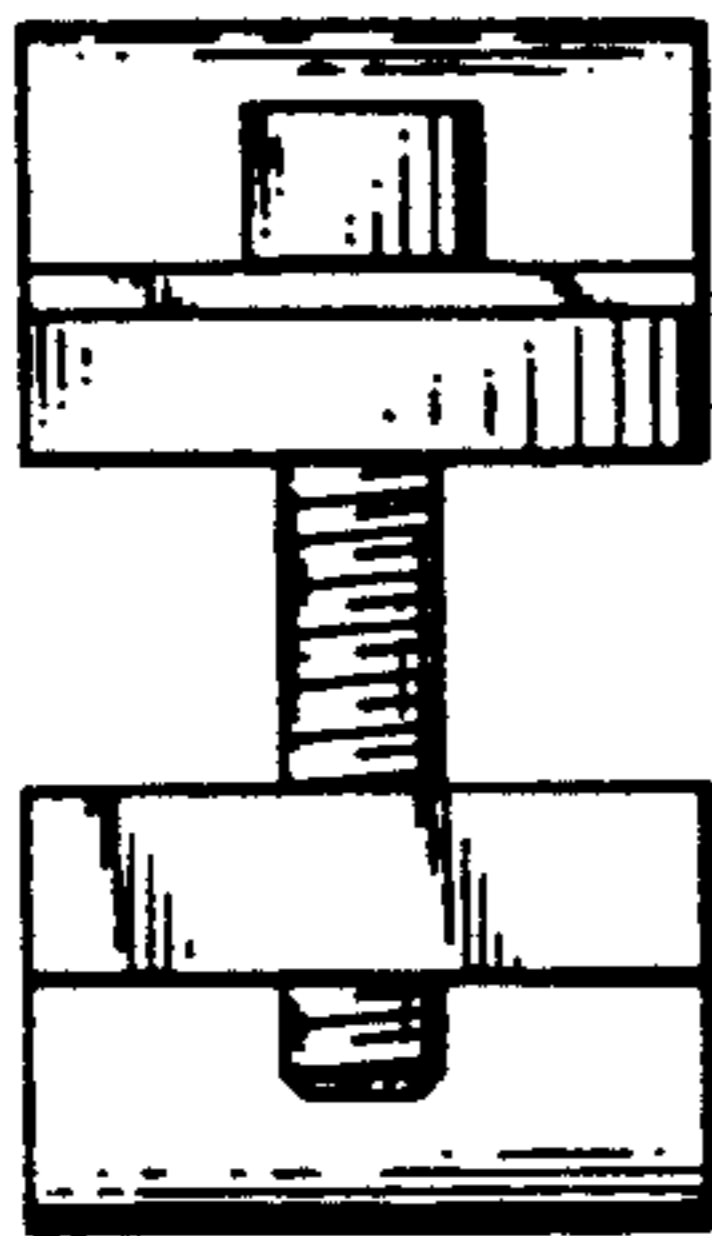


FIG. 5

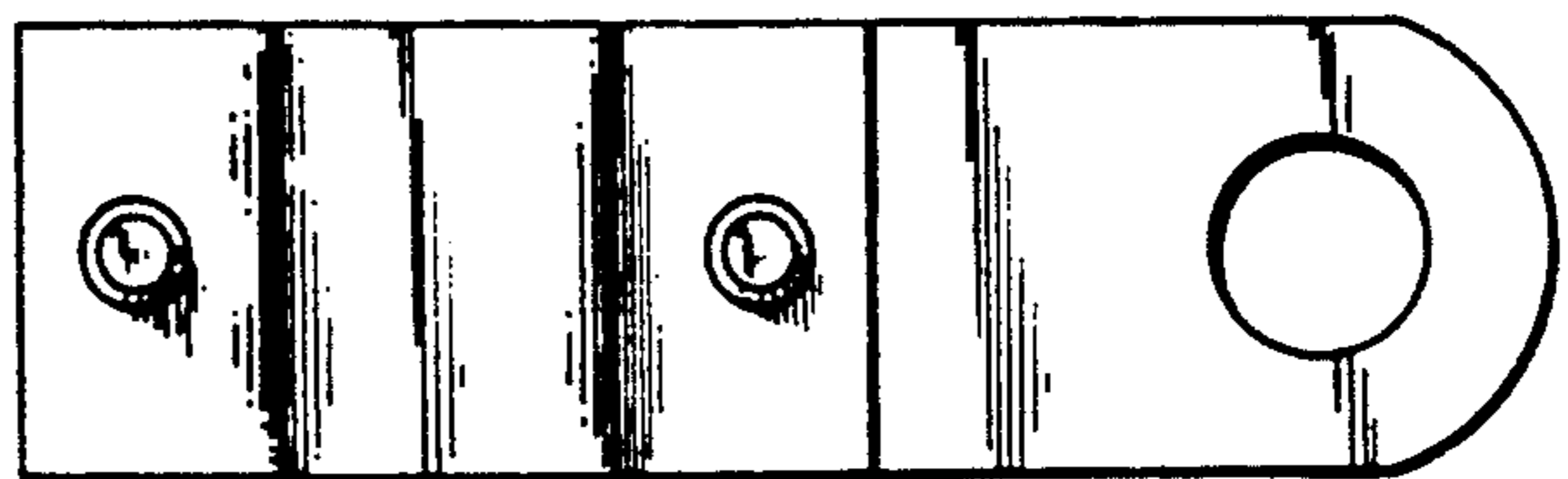


FIG. 6