



US00D342951S

# United States Patent [19]

[11] Patent Number: **Des. 342,951**

Yoder

[45] Date of Patent: **\*\* Jan. 4, 1994**

## [54] ANTENNA MOUNTING CLAMP

[75] Inventor: **Ronald L. Yoder, Topeka, Ind.**

[73] Assignee: **Universal Consolidated Methods, Inc., Topeka, Ind.**

[\*\*] Term: **14 Years**

[21] Appl. No.: **6,145**

[22] Filed: **Mar. 22, 1993**

### Related U.S. Application Data

[62] Division of Ser. No. 670,601, Mar. 18, 1991.

[52] U.S. Cl. .... **D14/238; D8/396**

[58] Field of Search ..... 343/711-713, 715;  
D8/376, 380, 396; D14/230-238,  
124, 217, 219, 872, 900, 906, 741, 748, 882, 720,  
808, 805, 878, 795, 912, 873, 745, 749, 901, 903

### [56] References Cited

#### U.S. PATENT DOCUMENTS

D. 221,928	9/1971	Zucconi .....	D8/396
D. 279,473	7/1985	Hochstetler et al. ....	D14/238
D. 294,702	3/1988	Yoder .....	D14/238
D. 311,189	10/1990	Lazzeroni et al. ....	D8/396 X
3,967,275	6/1976	Wagman .....	343/715 X
5,020,765	6/1991	Evans et al. ....	343/715 X

*Primary Examiner*—Theodore M. Shooman  
*Attorney, Agent, or Firm*—Roger M. Rickert

### [57] CLAIM

The ornamental design for an antenna mounting clamp, as shown and described.

### DESCRIPTION

FIG. 1 is a left side elevational view of an antenna mounting clamp illustrating my improved design, with the view from the opposite side being substantially the mirror image thereof;

FIG. 2 is a front elevation view of the embodiment disclosed in FIG. 1;

FIG. 3 is a rear elevation view thereof;

FIG. 4 is a top plan view thereof;

FIG. 5 is a bottom plan view thereof;

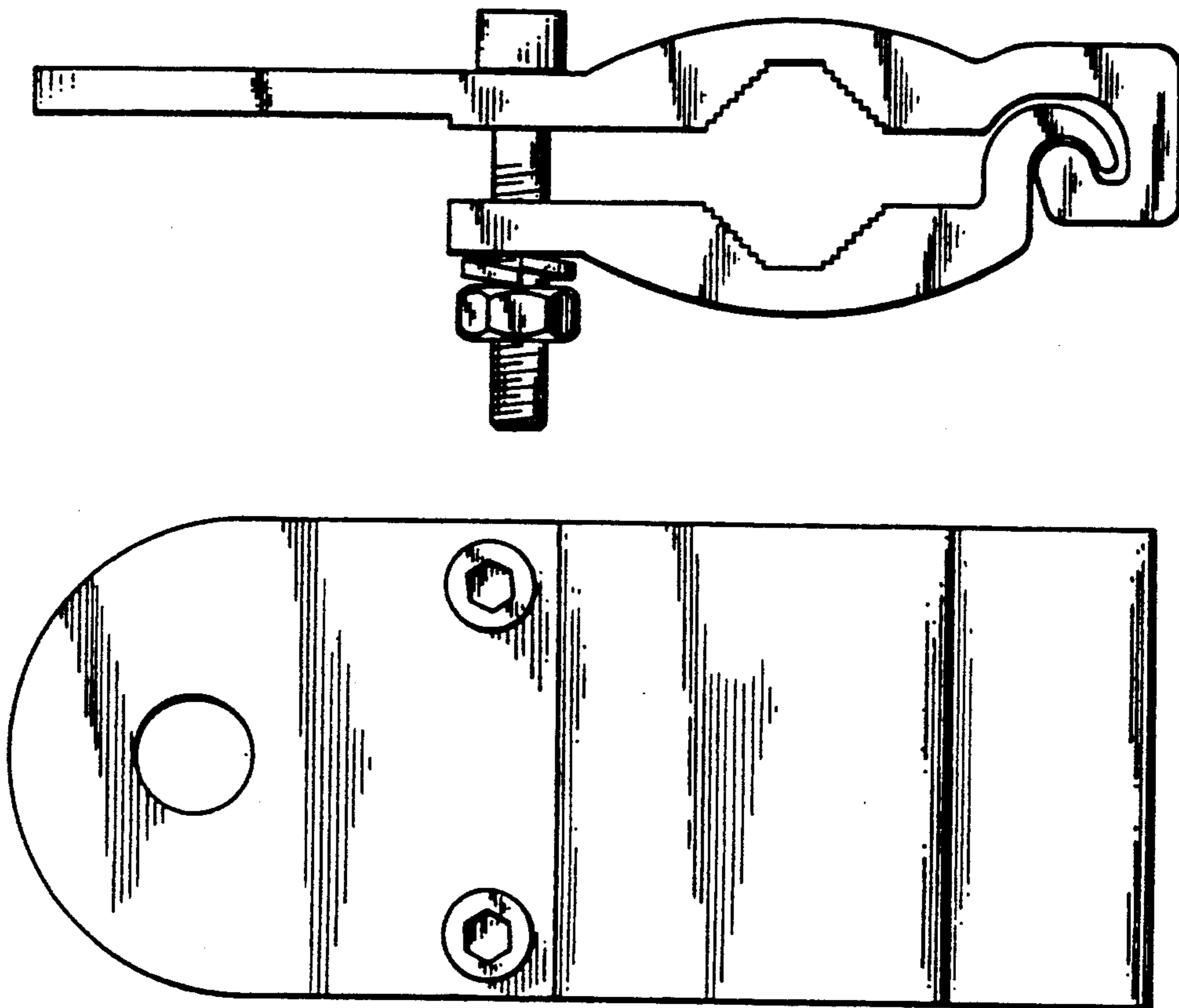
FIG. 6 is a left side elevational view of another embodiment of the antenna mounting clamp illustrated in FIG. 1 with the view from the opposite side being substantially the mirror image thereof;

FIG. 7 is a front elevation view of the embodiment disclosed in FIG. 6;

FIG. 8 is a rear elevation view thereof;

FIG. 9 is a top plan view thereof; and,

FIG. 10 is a bottom plan view thereof.



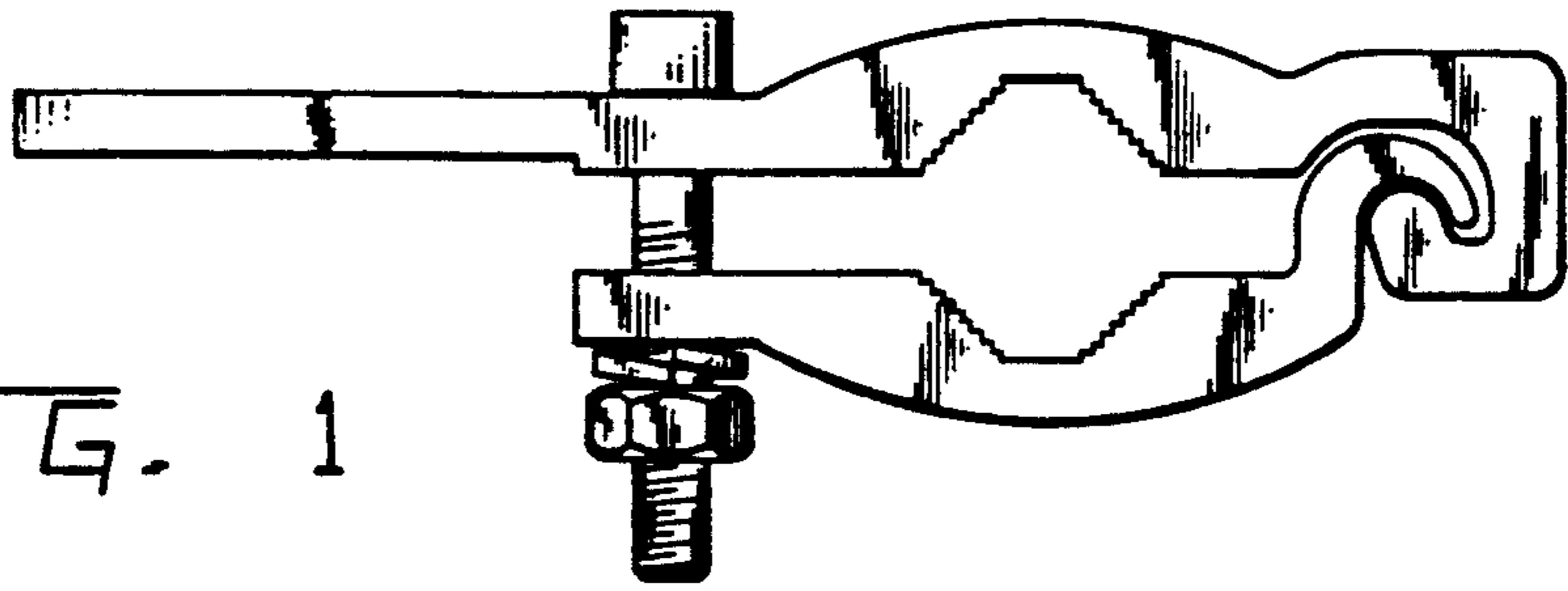


FIG. 1

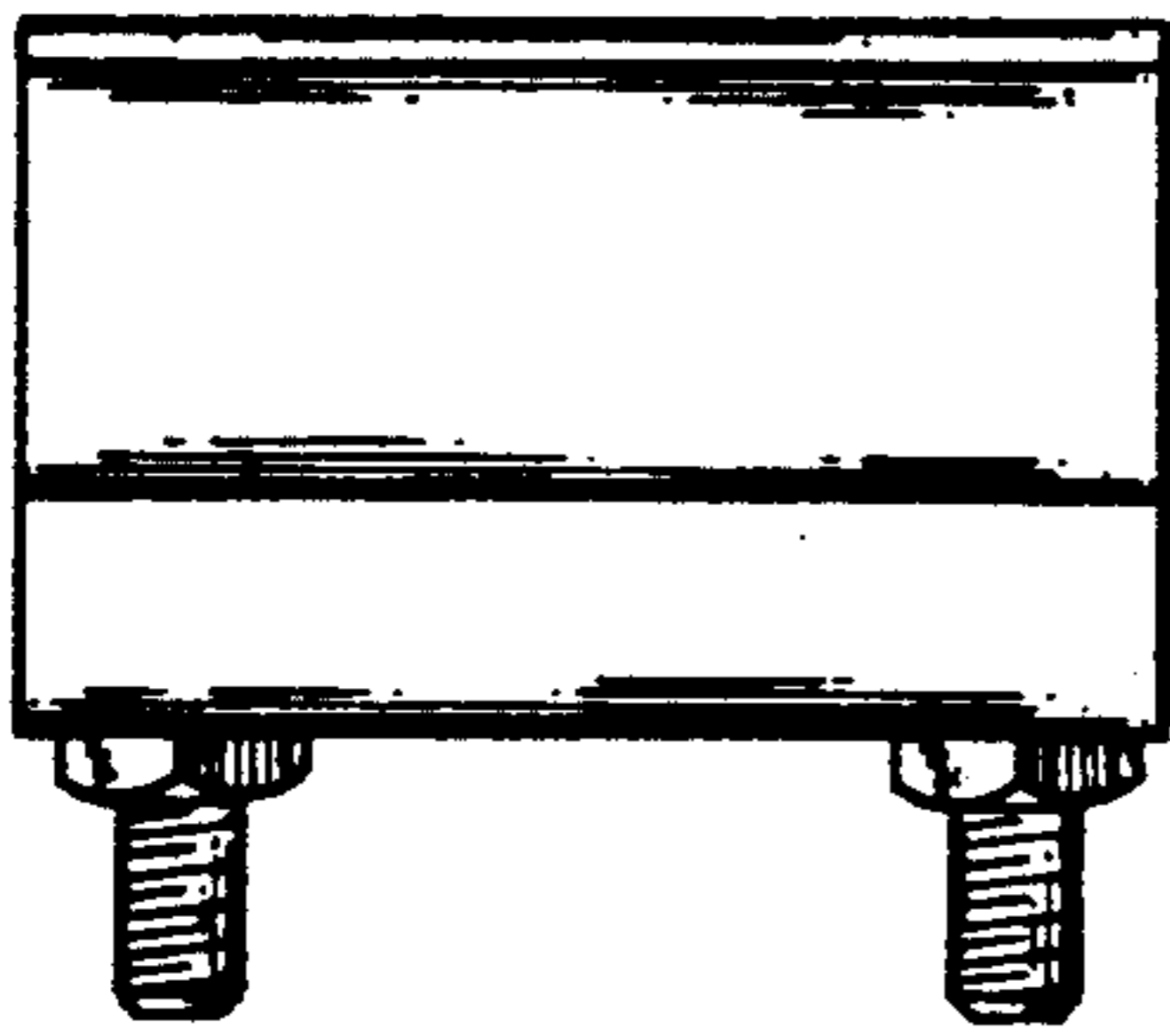


FIG. 2

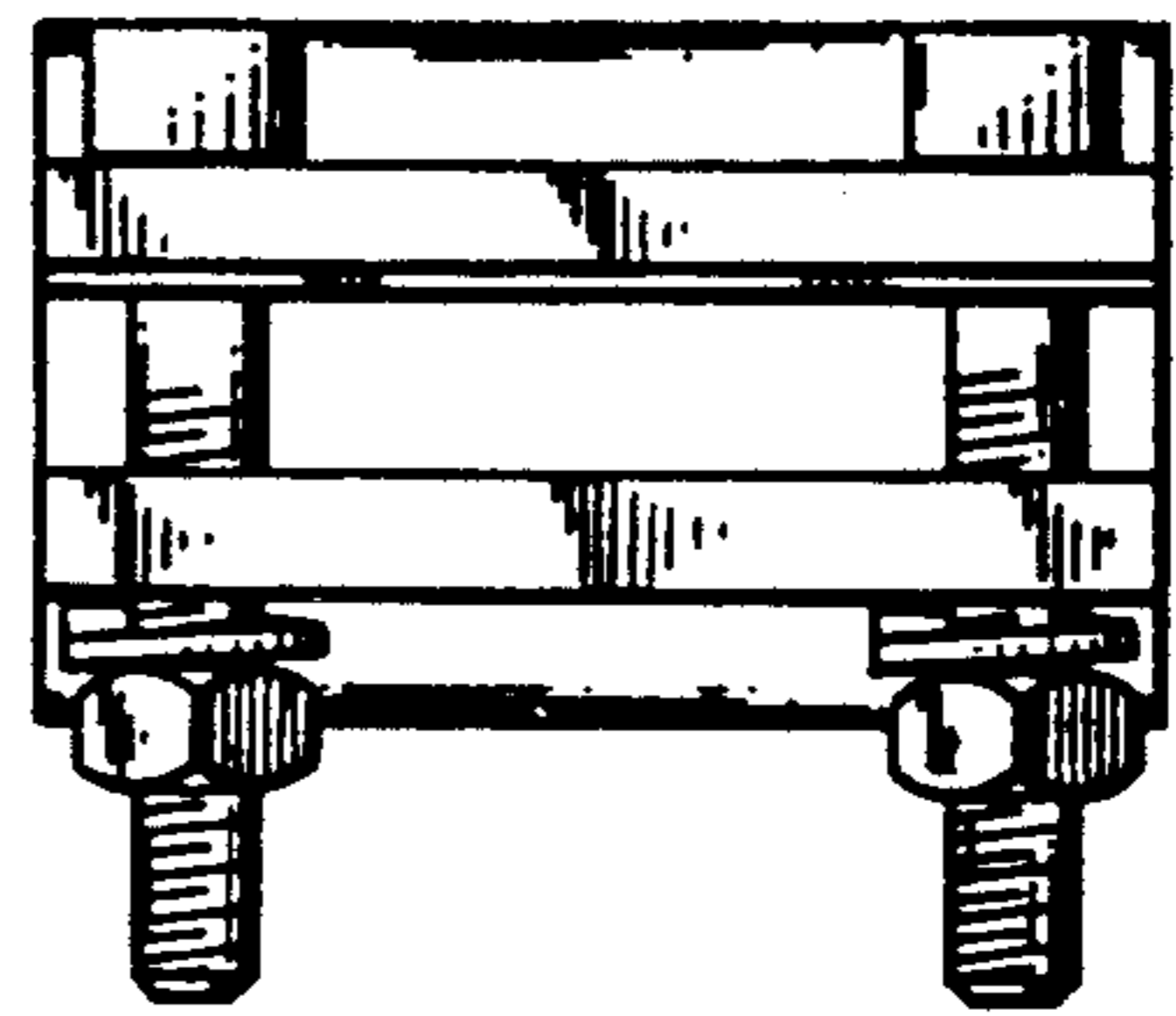


FIG. 3

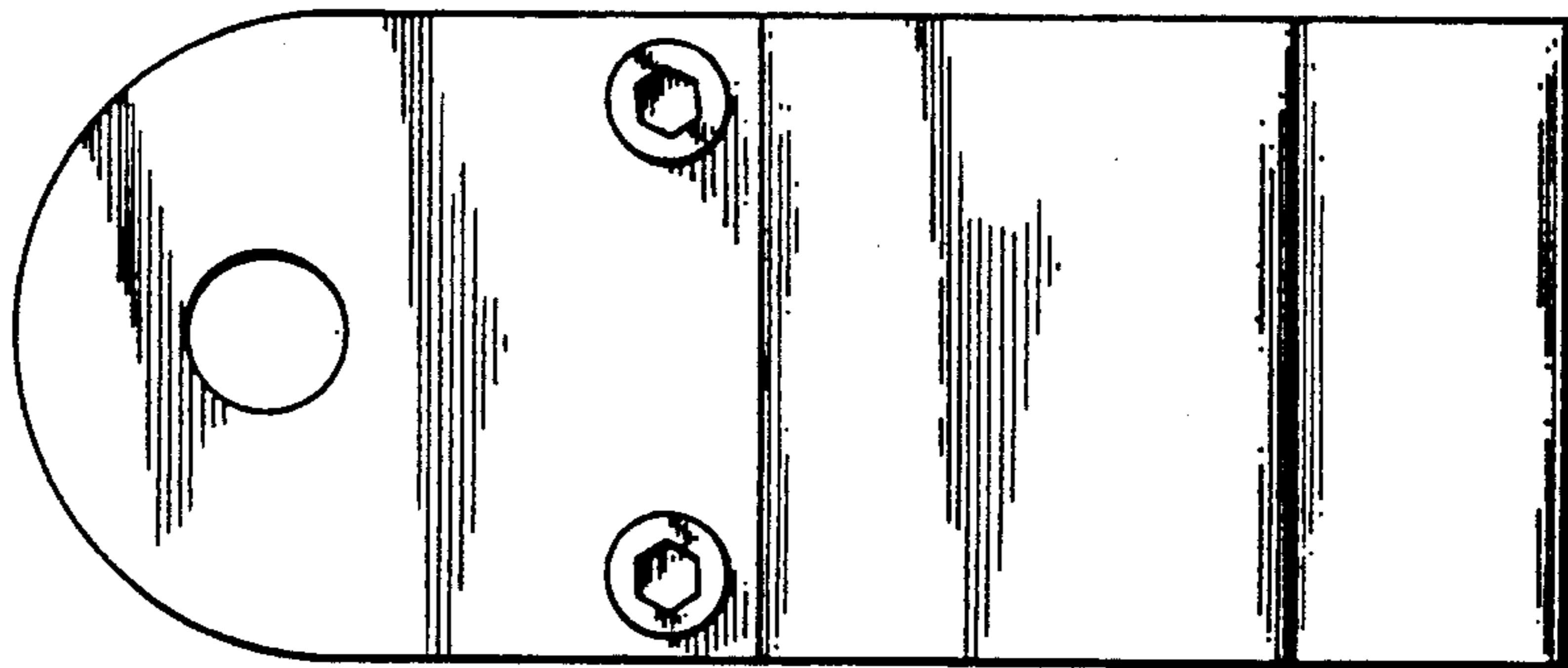


FIG. 4

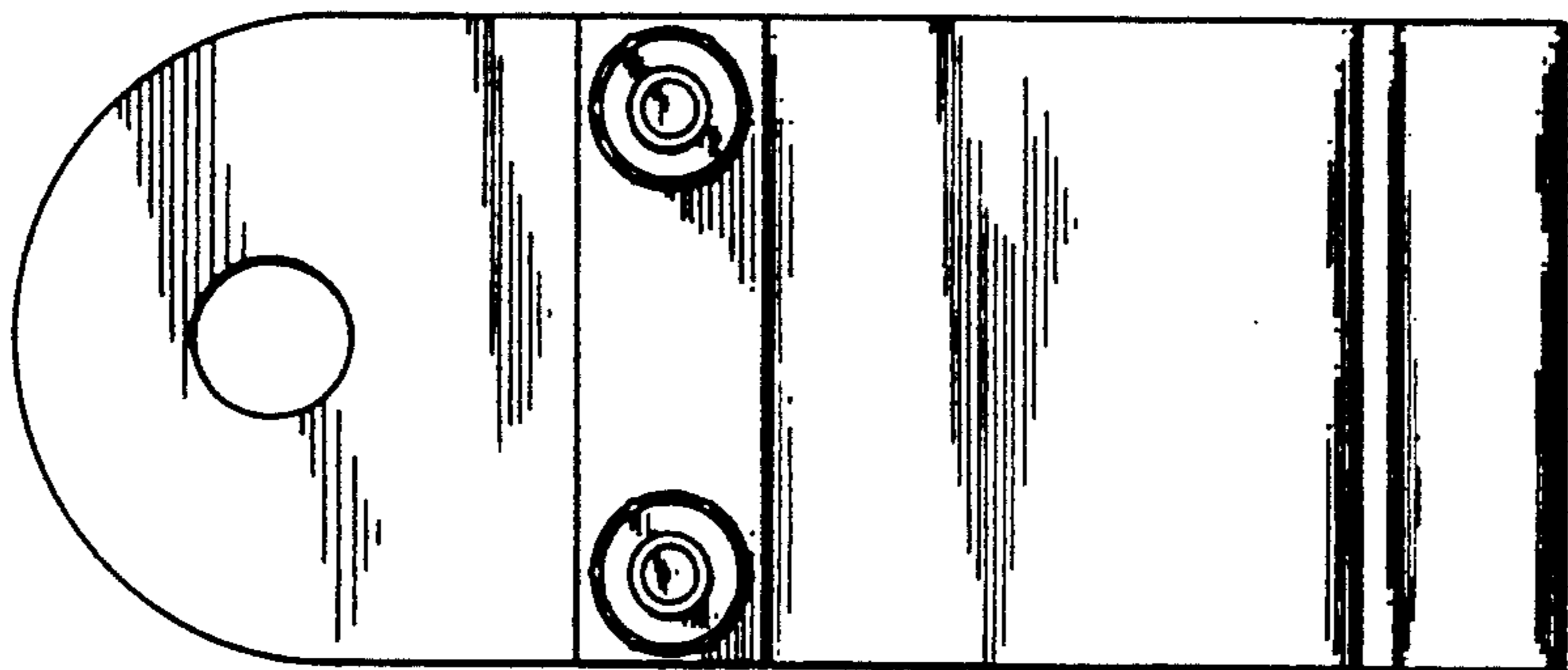


FIG. 5

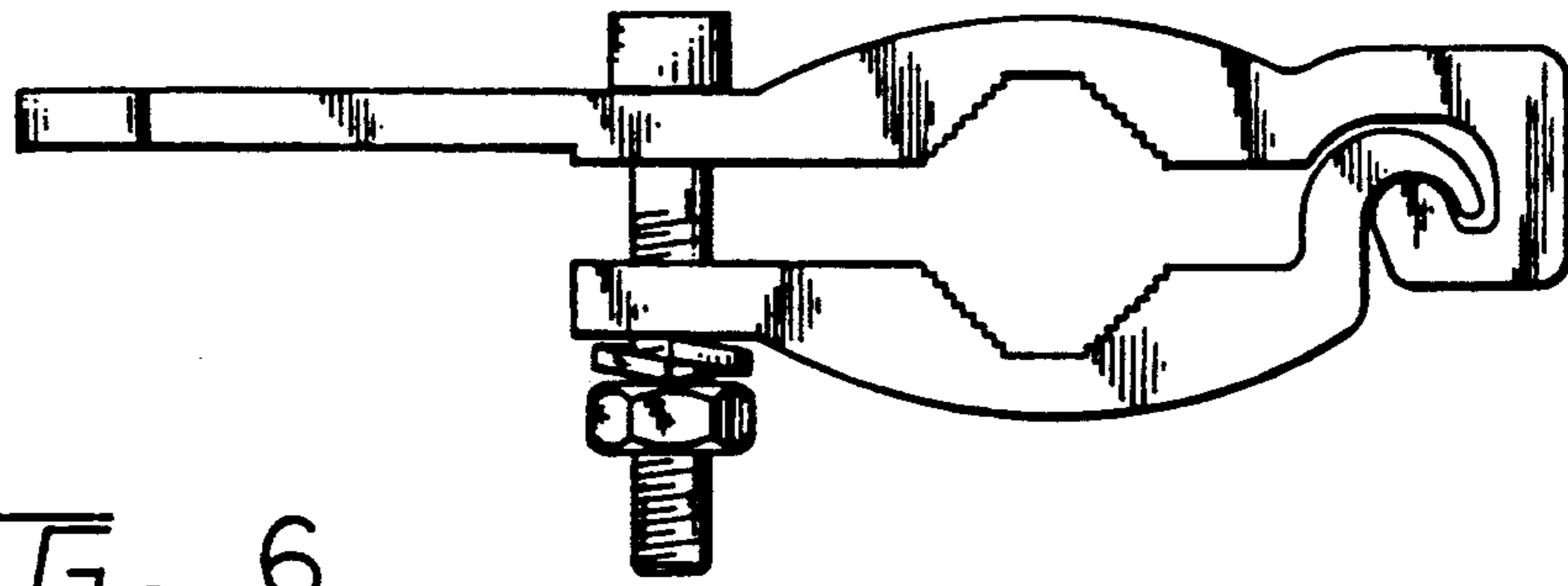


FIG. 6

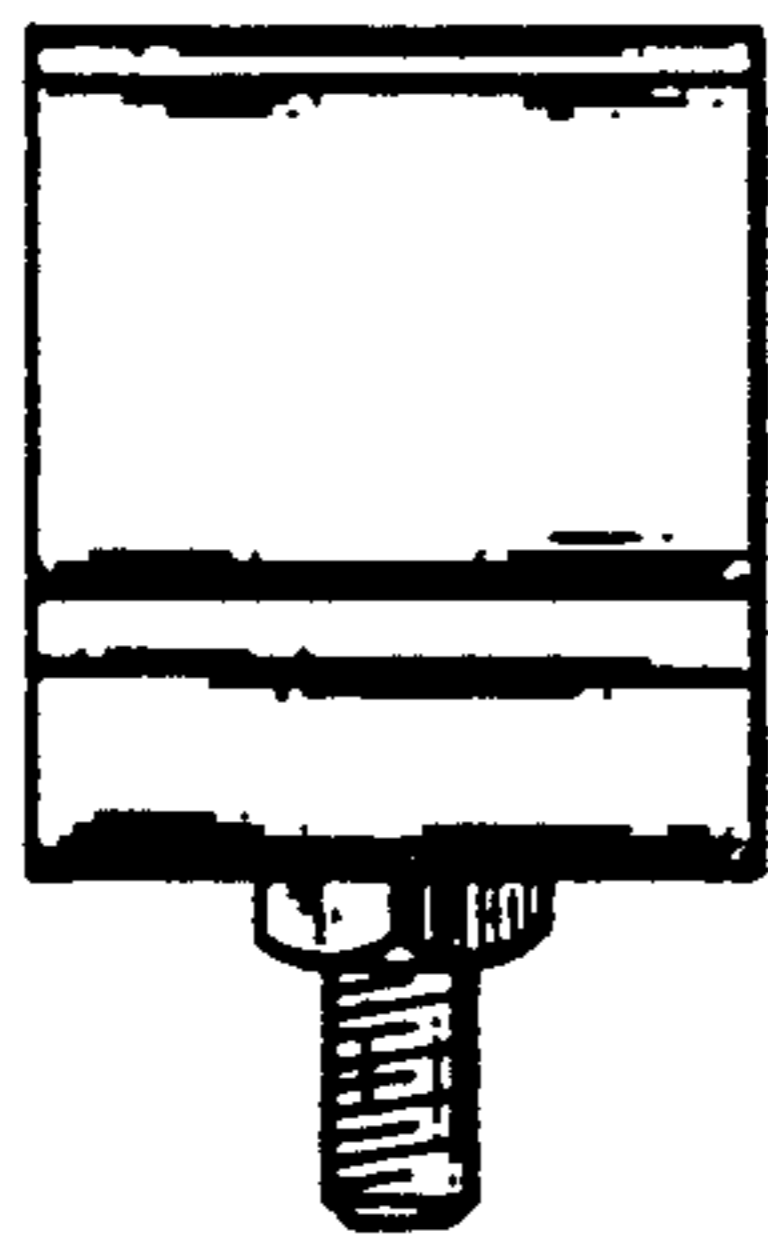


FIG. 7

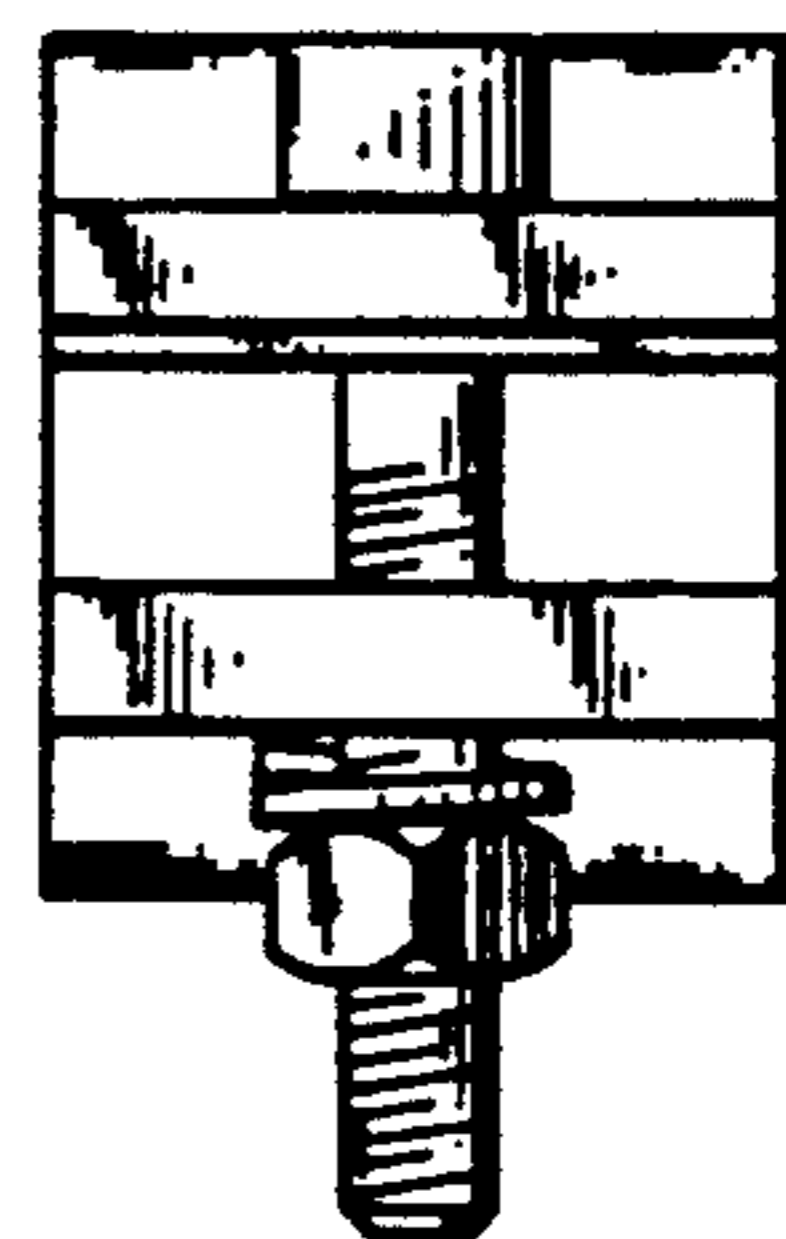


FIG. 8

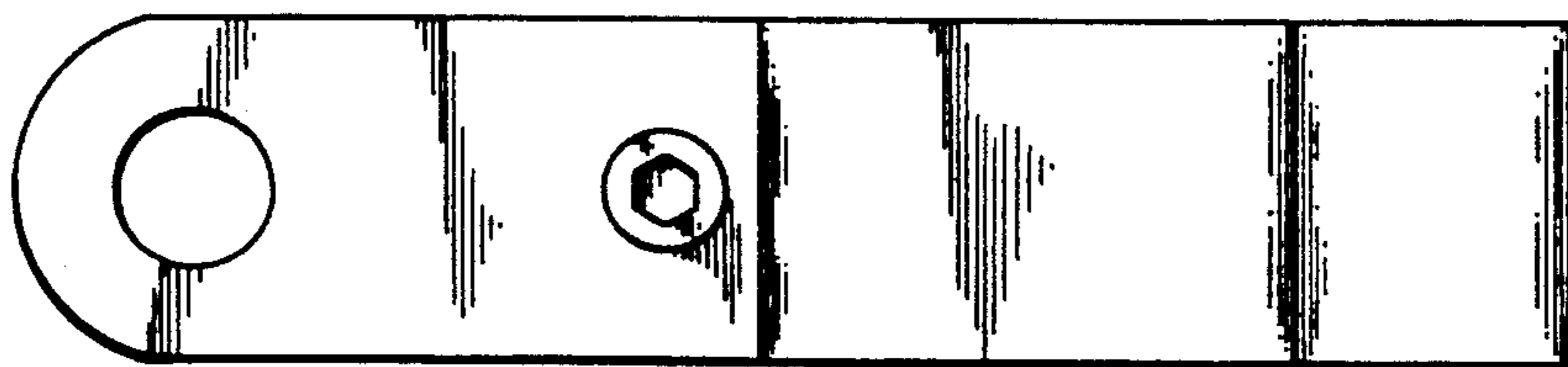


FIG. 9

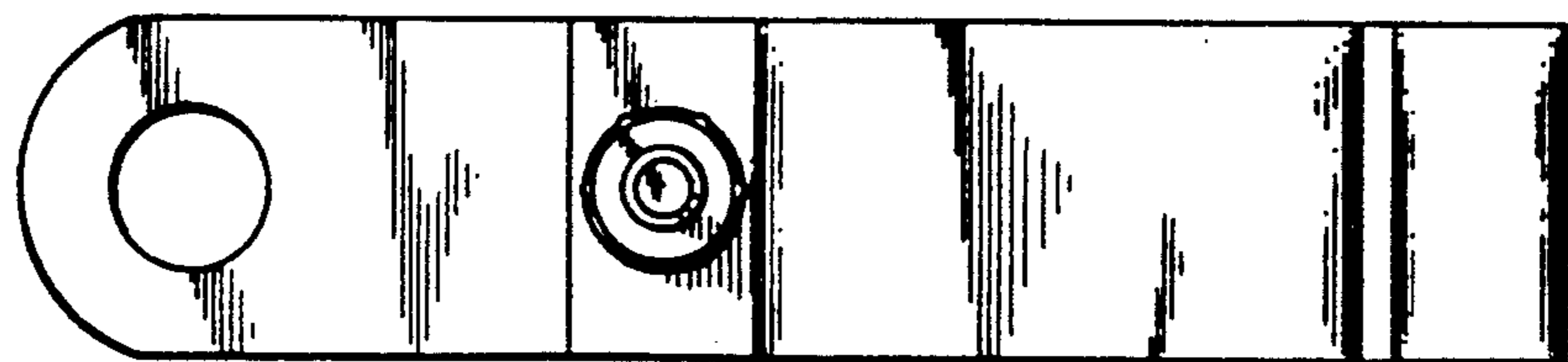


FIG. 10