



US00D342949S

# United States Patent [19]

[11] Patent Number: **Des. 342,949**

**Matsuzaka**

[45] Date of Patent: **\*\* Jan. 4, 1994**

## [54] SPEAKER BOX

[75] Inventor: **Yohzoh Matsuzaka**, Tokyo, Japan

[73] Assignee: **Sony Corporation**, Tokyo, Japan

[\*\*] Term: **14 Years**

[21] Appl. No.: **832,485**

[22] Filed: **Feb. 6, 1992**

### [30] Foreign Application Priority Data

Sep. 18, 1991 [JP] Japan ..... 3-28103  
 [52] U.S. Cl. .... **D14/214; D14/204**  
 [58] Field of Search ..... 181/141, 144, 148, 150,  
 181/156, 157, 171; D14/204; 207-216, 219-224

### [56] References Cited

#### U.S. PATENT DOCUMENTS

D. 251,194 2/1979 Neece ..... D14/172  
 D. 274,193 6/1984 Matkovich ..... D14/194  
 D. 334,386 3/1993 Yamazaki ..... D14/194  
 4,303,807 12/1981 Sato ..... 181/156

## OTHER PUBLICATIONS

Hi Fi Design Jan. 11, 1988 p. 184 Recoton's Wireless Speaker, top.

Stereo Review, Dec. 1988 p. 58 Bose Speaker, right.

*Primary Examiner*—Bernard Ansher

*Assistant Examiner*—Sandra Morris

*Attorney, Agent, or Firm*—Lewis H. Eslinger; Jay H. Maioli

## [57] CLAIM

The ornamental design for a speaker box, as shown and described.

## DESCRIPTION

FIG. 1 is a top view of a speaker box, showing our new design;

FIG. 2 is a left-side view thereof;

FIG. 3 is a front view thereof;

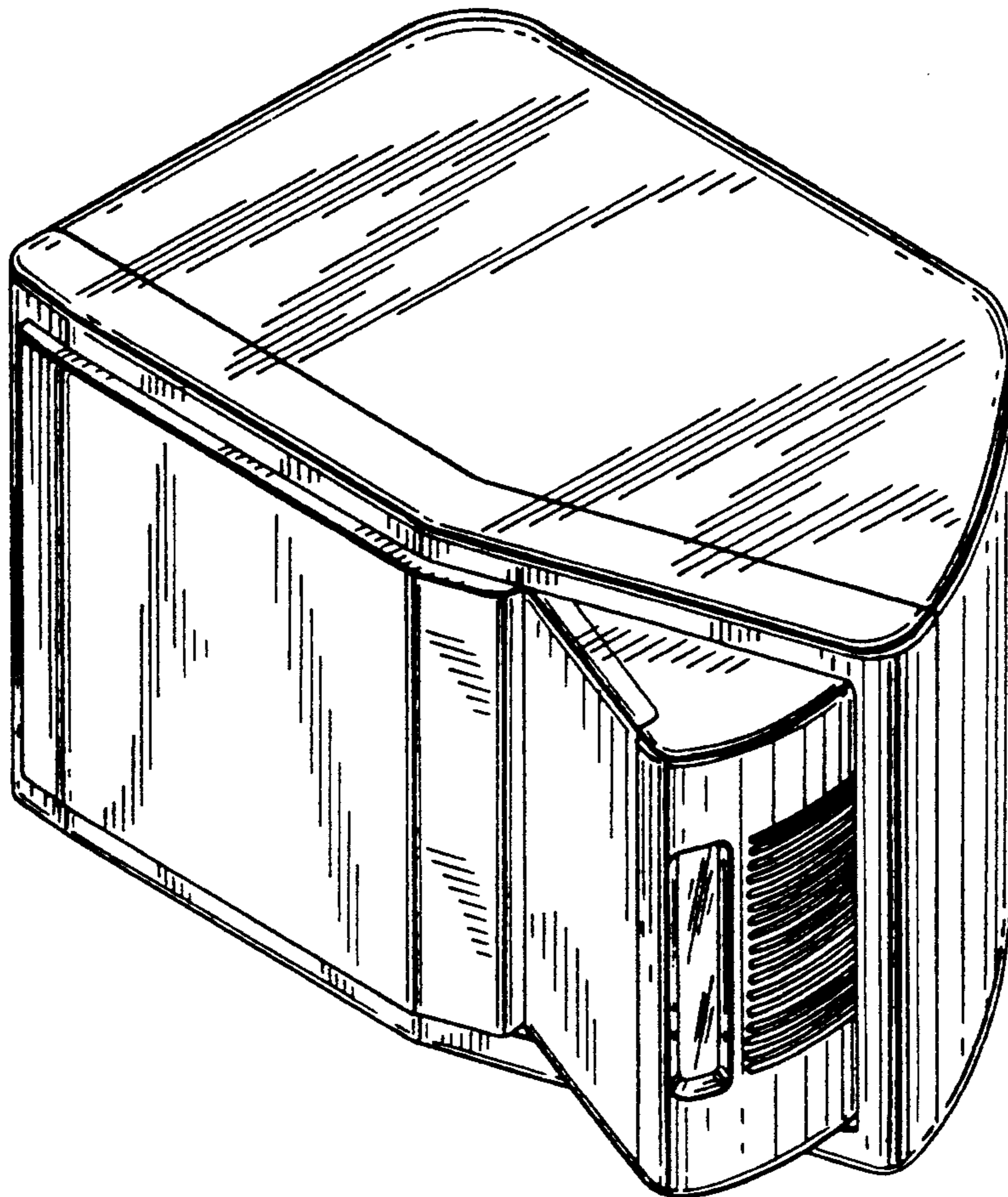
FIG. 4 is a right-side view thereof;

FIG. 5 is a back view thereof;

FIG. 6 is a bottom view thereof;

FIG. 7 is a perspective view in a half-open position thereof; and,

FIG. 8 is a perspective view thereof of our design being shown in its open position.



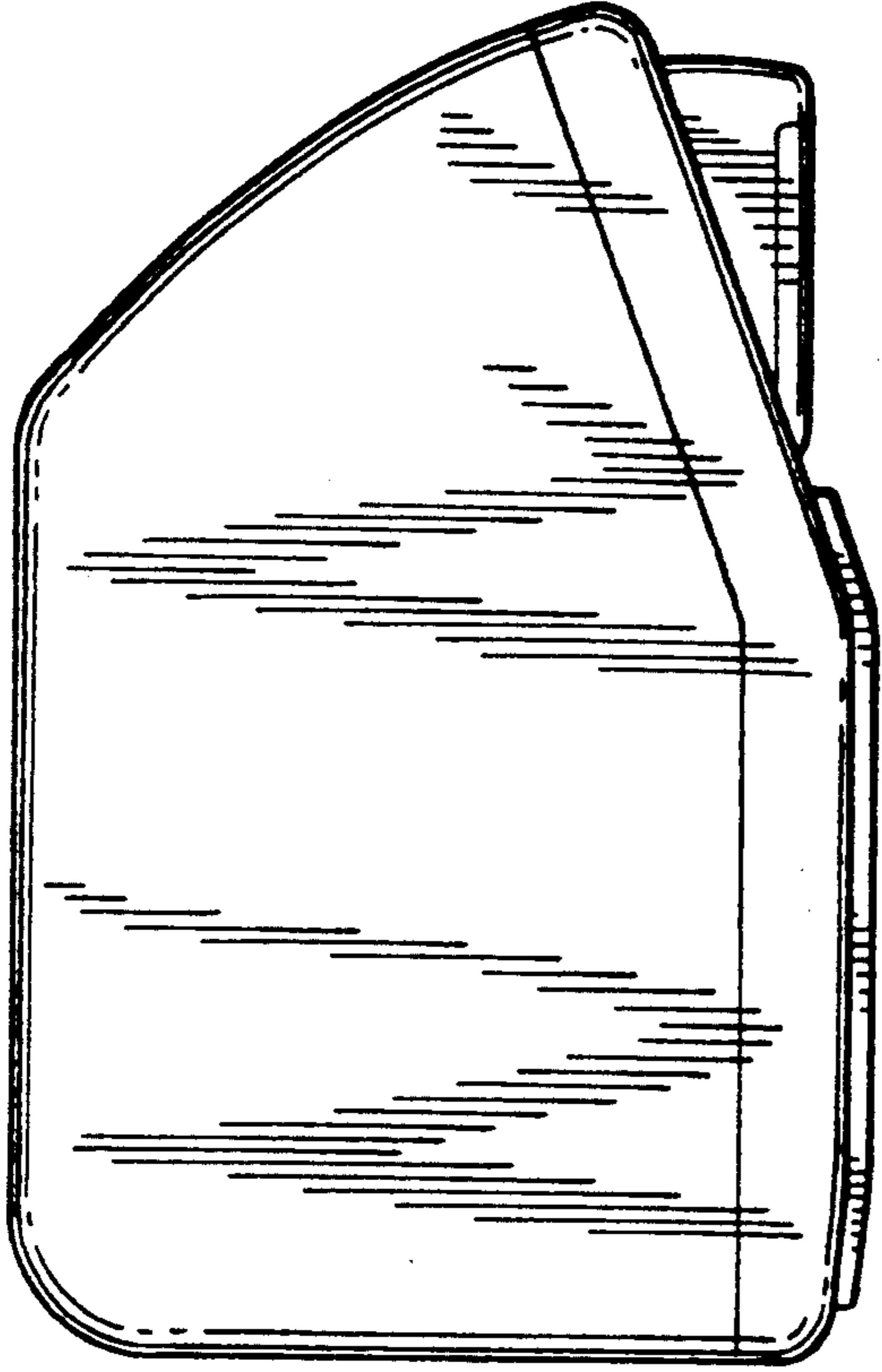


FIG. 1

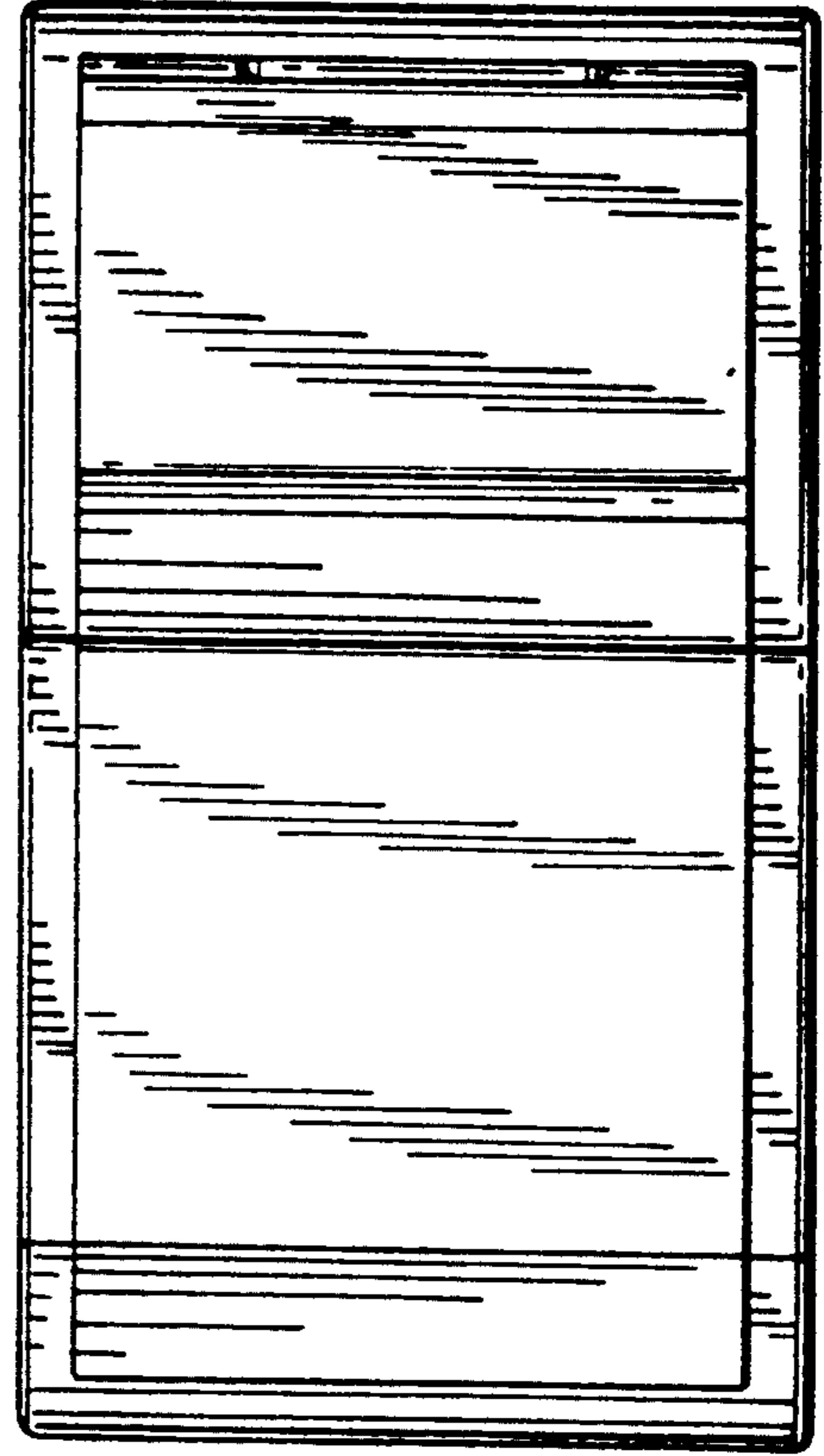


FIG. 3

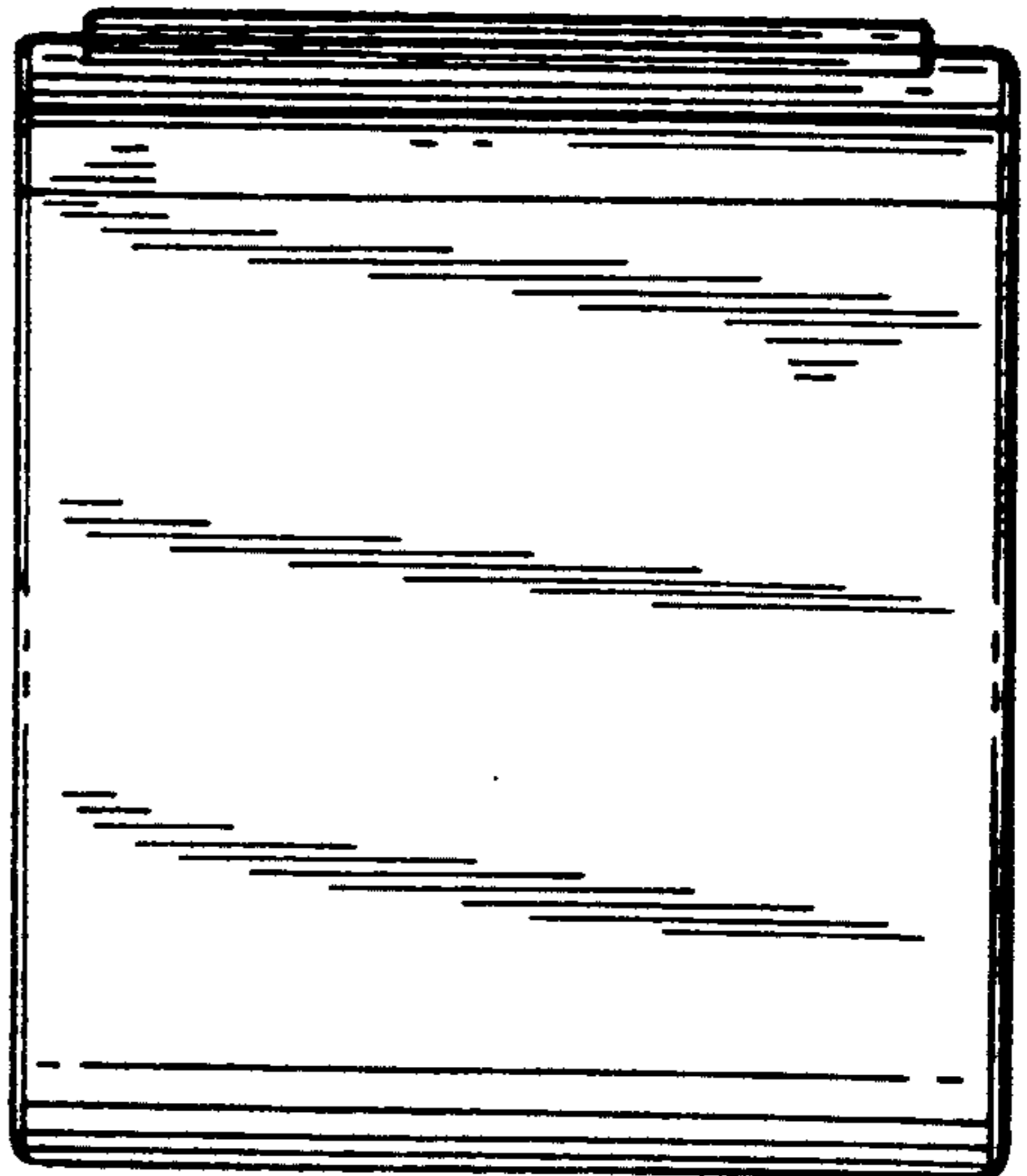


FIG. 2

FIG. 5

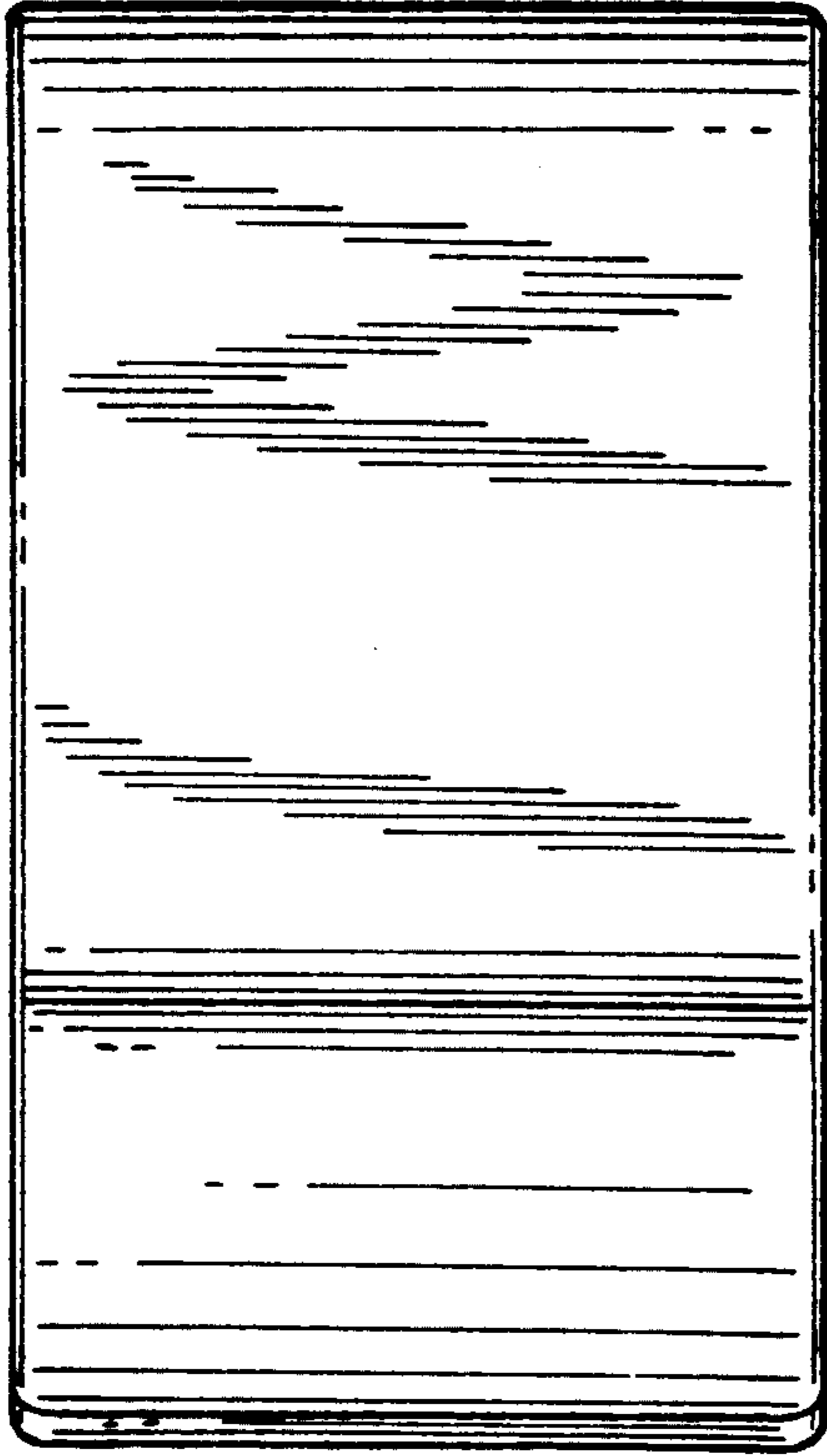


FIG. 4

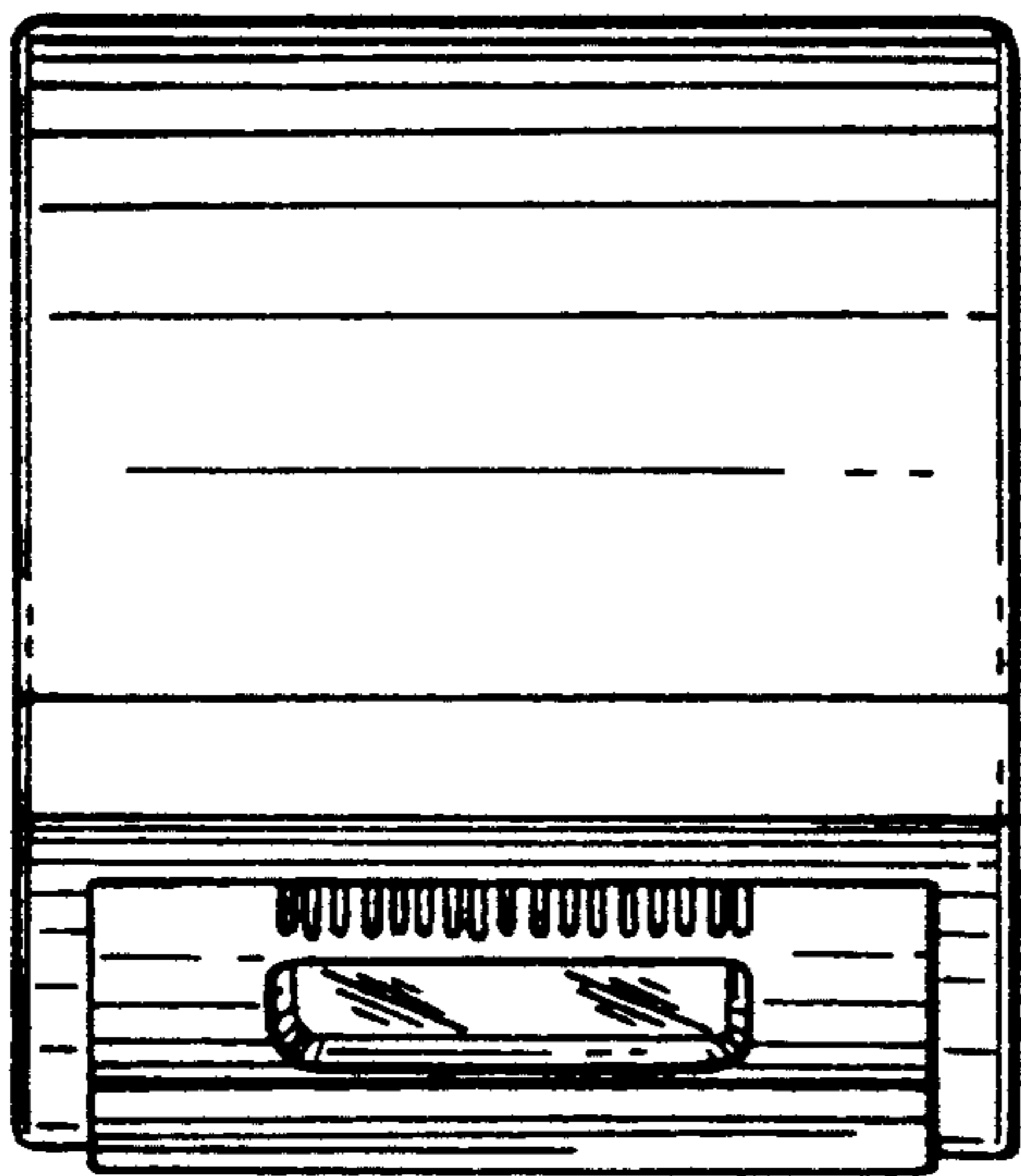
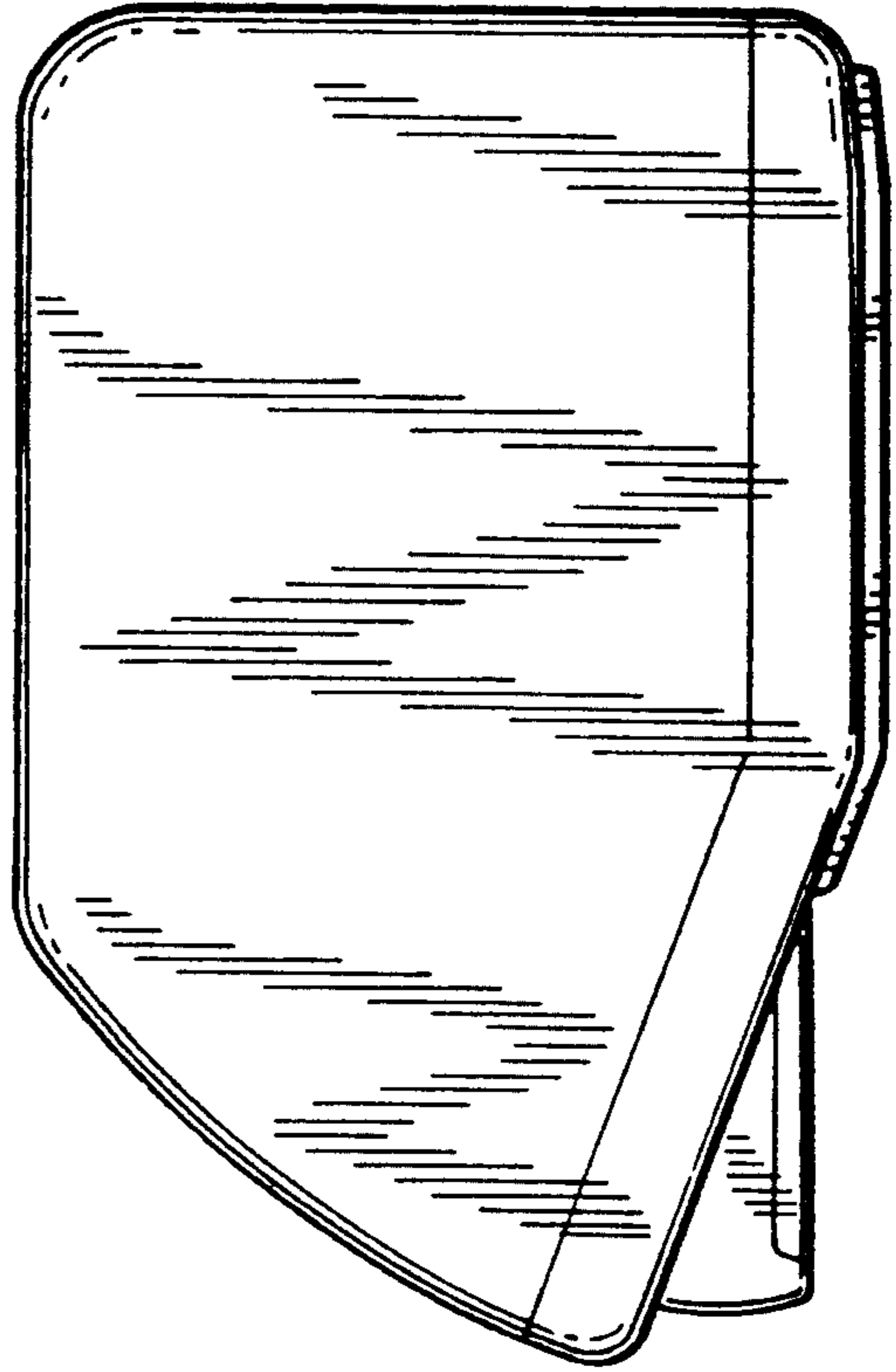
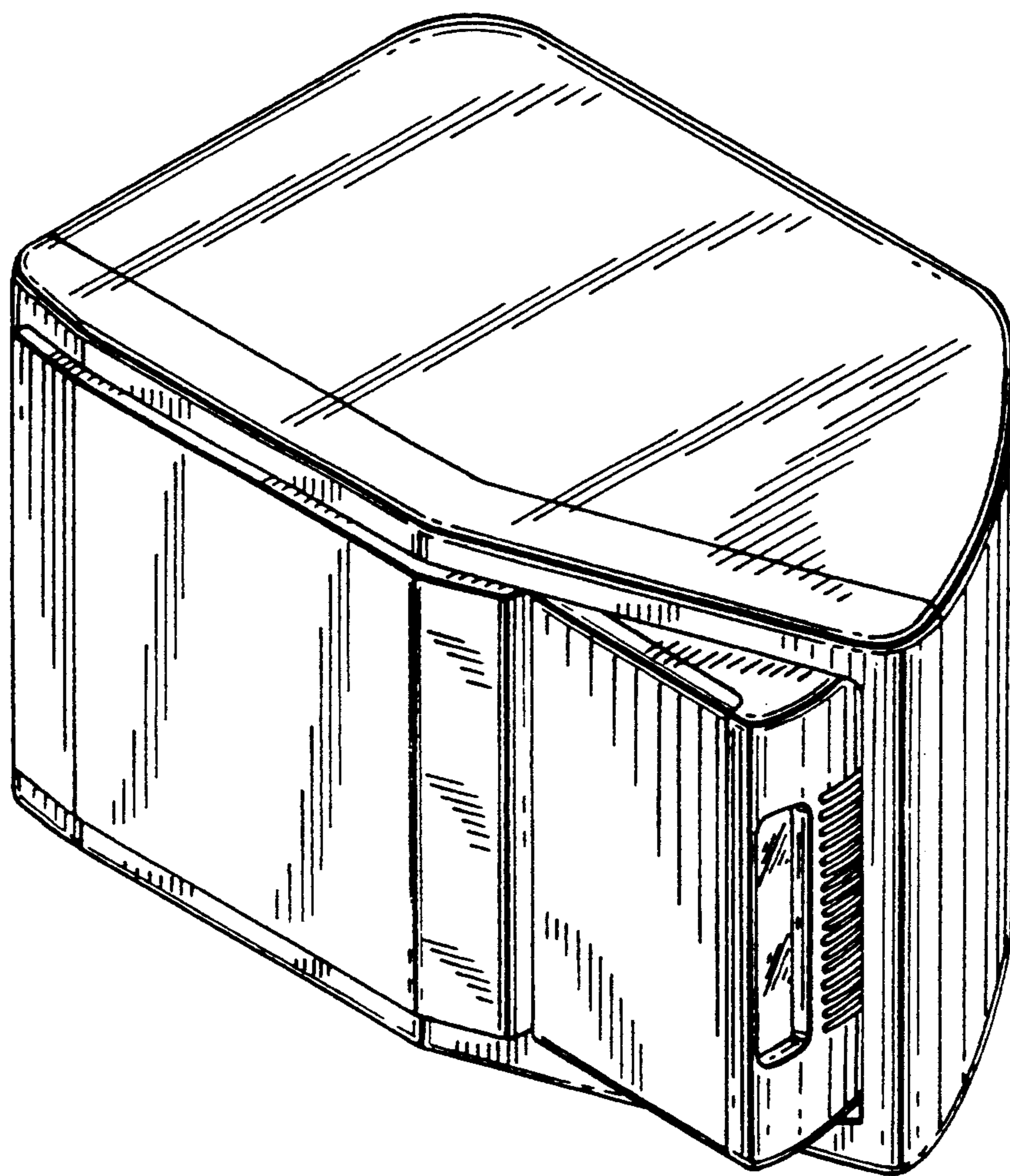


FIG. 6



*FIG. 7*



*FIG. 8*

