



US00D342941S

# United States Patent [19]

[11] Patent Number: **Des. 342,941**

Tannenbaum et al.

[45] Date of Patent: **\*\* Jan. 4, 1994**

[54] **COMBINED SOLENOID HOUSING AND CABLE LINKAGE**

|           |        |                     |           |
|-----------|--------|---------------------|-----------|
| 3,571,254 | 5/1971 | Cannon et al. ....  | 335/255   |
| 4,153,890 | 5/1979 | Coors .....         | 335/260   |
| 4,217,567 | 8/1980 | Roy et al. ....     | 335/225   |
| 4,679,017 | 8/1987 | Mishler et al. .... | 335/255 X |

[75] Inventors: **Carl H. Tannenbaum**, Burlington;  
**Robert E. Mitchell**; **Wayne M. Groth**,  
both of Milwaukee; **Dennis A. Maller**,  
Racine, all of Wis.

*Primary Examiner*—Wallace R. Burke  
*Assistant Examiner*—Joel Sincavage  
*Attorney, Agent, or Firm*—Godfrey & Kahn

[73] Assignee: **Trombetta Corporation**, Milwaukee,  
Wis.

[57] **CLAIM**

[\*\*] Term: **14 Years**

The ornamental design for a combined solenoid housing and cable linkage, as shown and described.

[21] Appl. No.: **825,599**

**DESCRIPTION**

[22] Filed: **Jan. 24, 1992**

[52] U.S. Cl. .... **D13/183**; 213/166

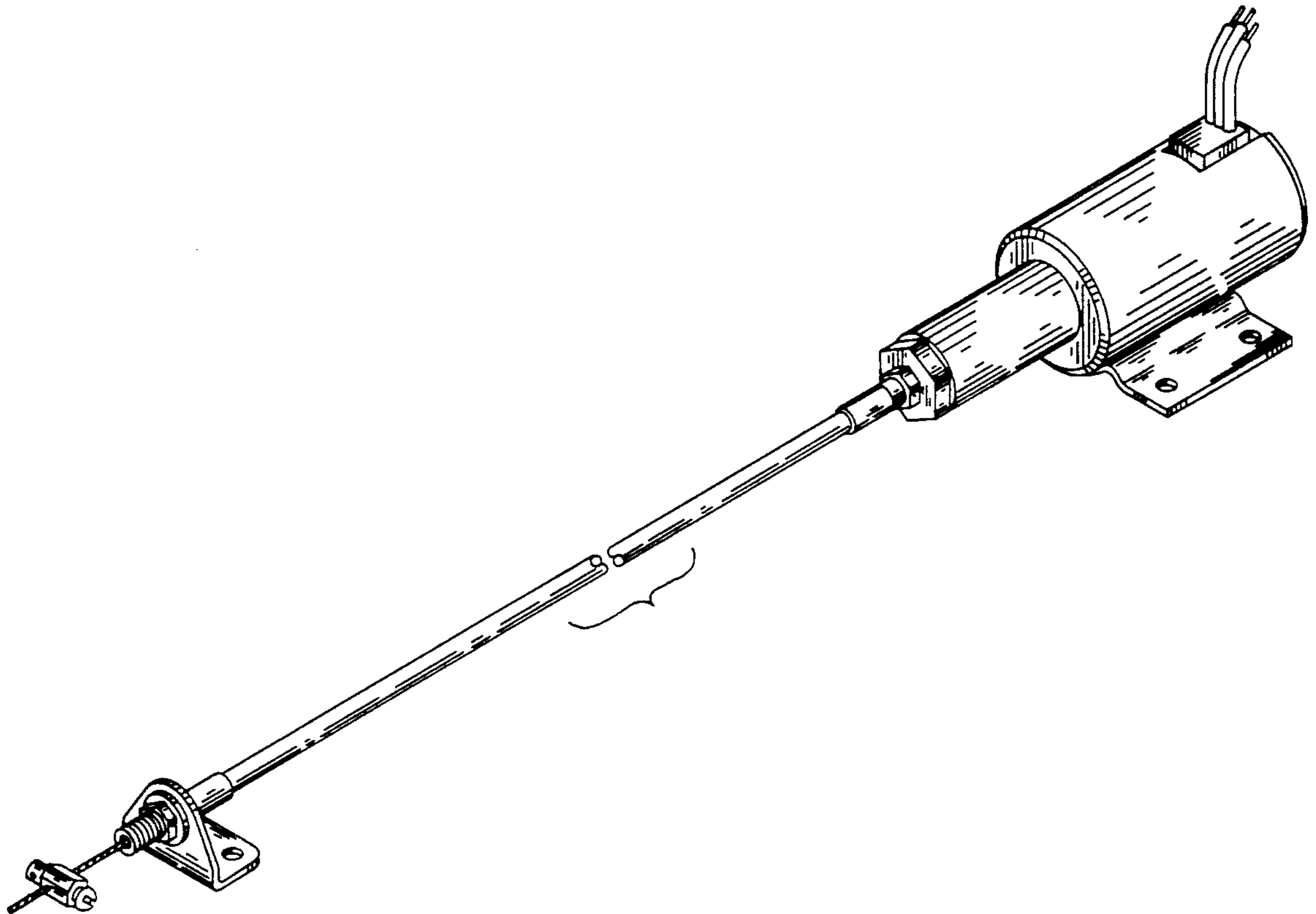
[58] Field of Search ..... 123/376, 400, 403;  
335/255, 260; D13/166, 183

FIG. 1 is perspective view of the combined solenoid housing and cable linkage showing my new design; FIG. 2 is a front elevational view thereof; FIG. 3 is a rear elevational view thereof; FIG. 4 is a top plan view thereof; FIG. 5 is a bottom plan view thereof; FIG. 6 is a side elevational view thereof; and, FIG. 7 is an elevational view of the side of the Solenoid Housing opposite to that shown in FIG. 6.

[56] **References Cited**

**U.S. PATENT DOCUMENTS**

|           |         |                     |           |
|-----------|---------|---------------------|-----------|
| 2,533,187 | 12/1950 | Cataldo et al. .... | 335/260 X |
| 3,215,902 | 11/1965 | Foley et al. ....   | 335/225 X |



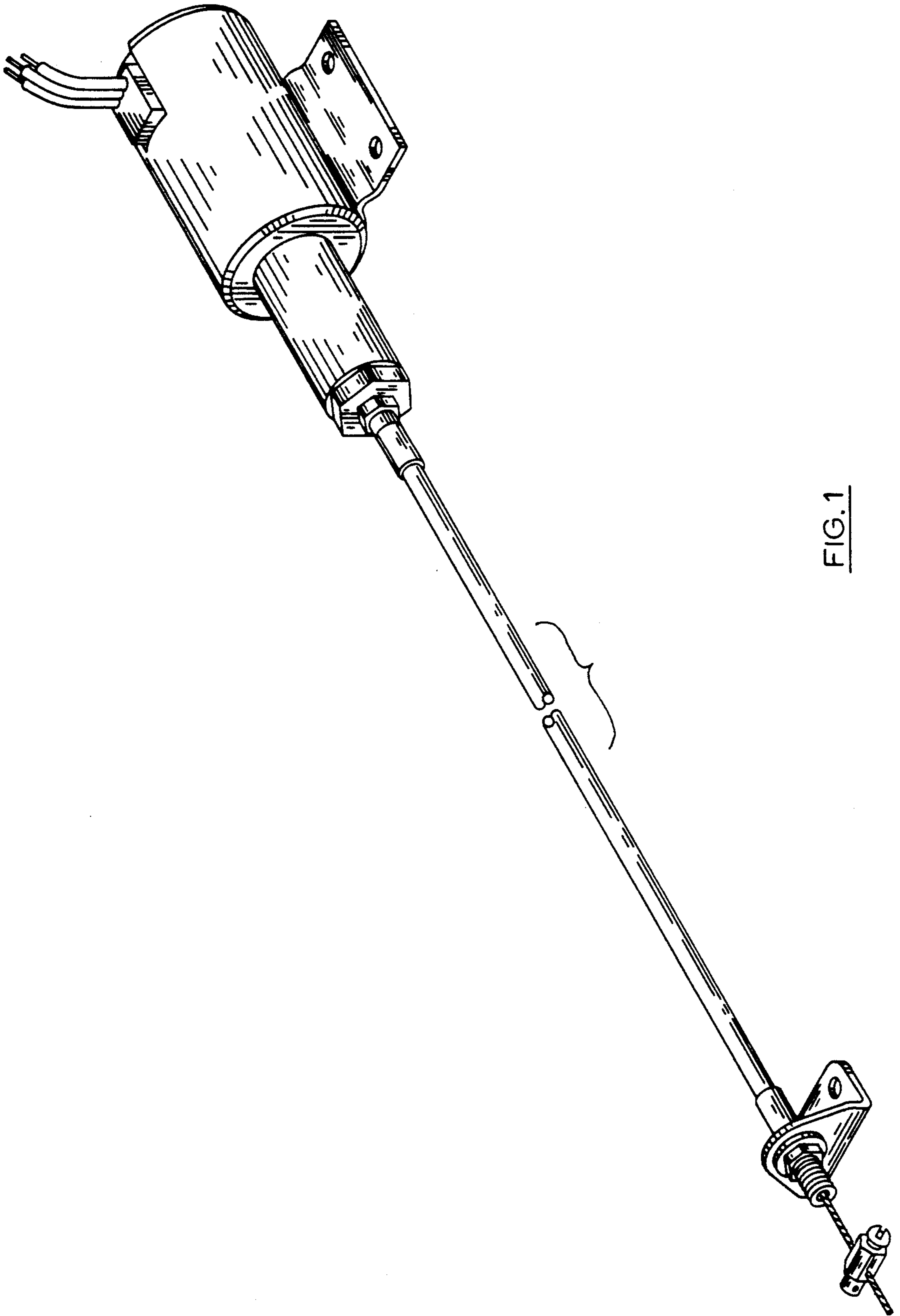


FIG. 1

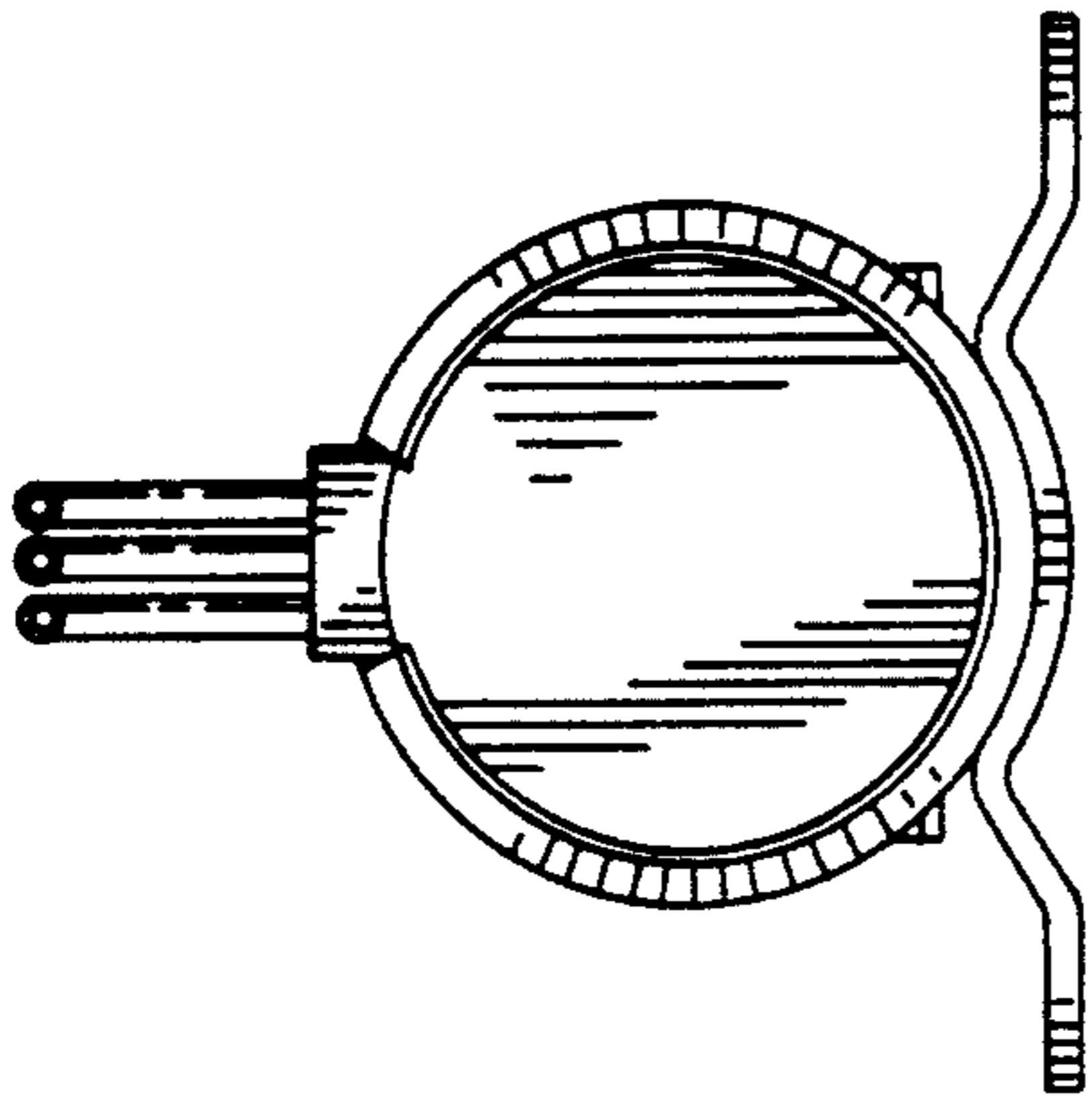


FIG. 3

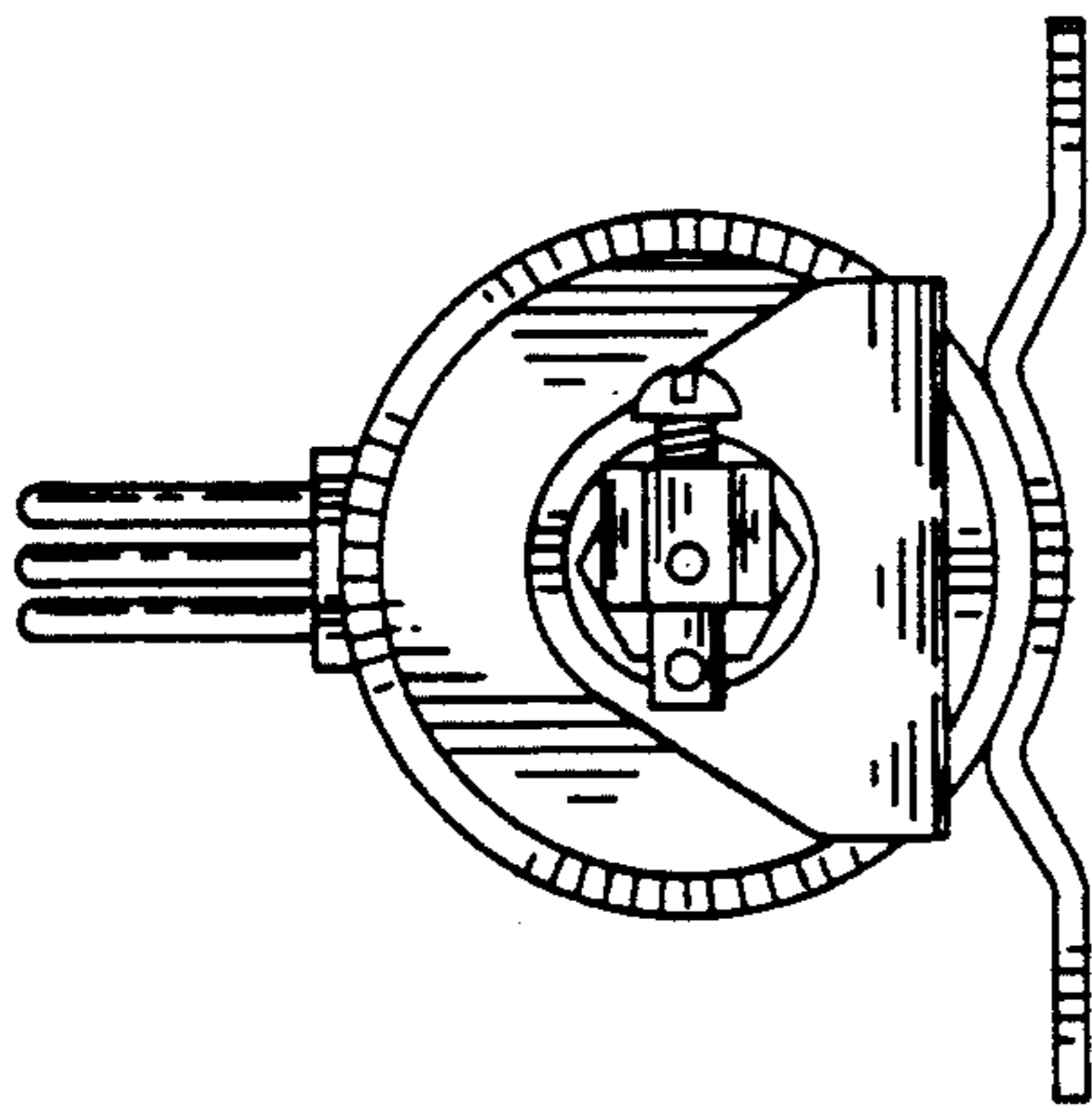


FIG. 2

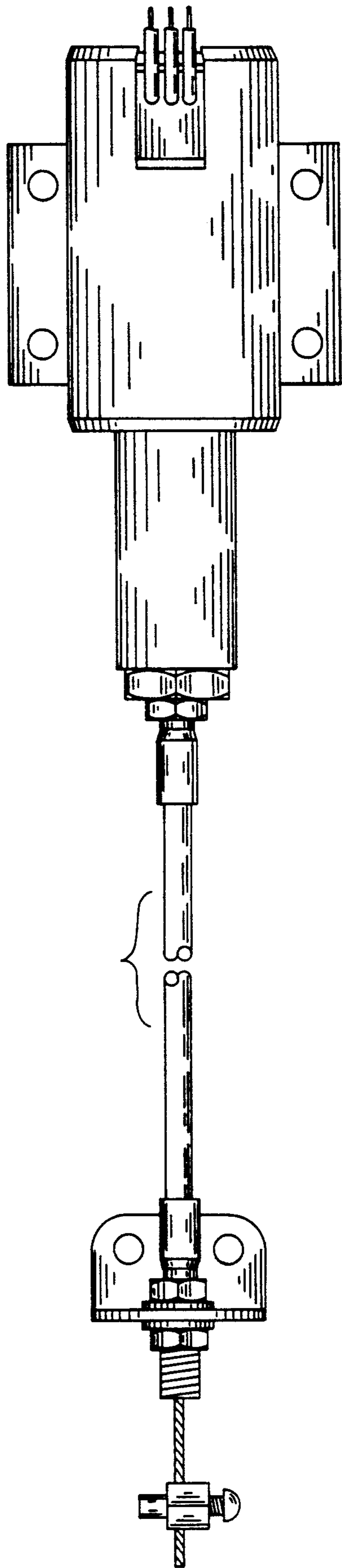


FIG. 4

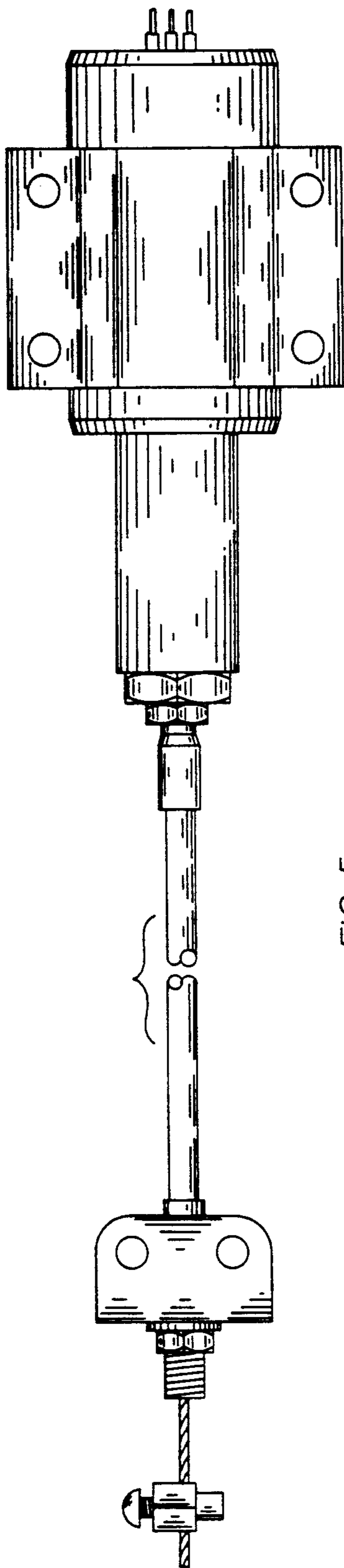


FIG. 5

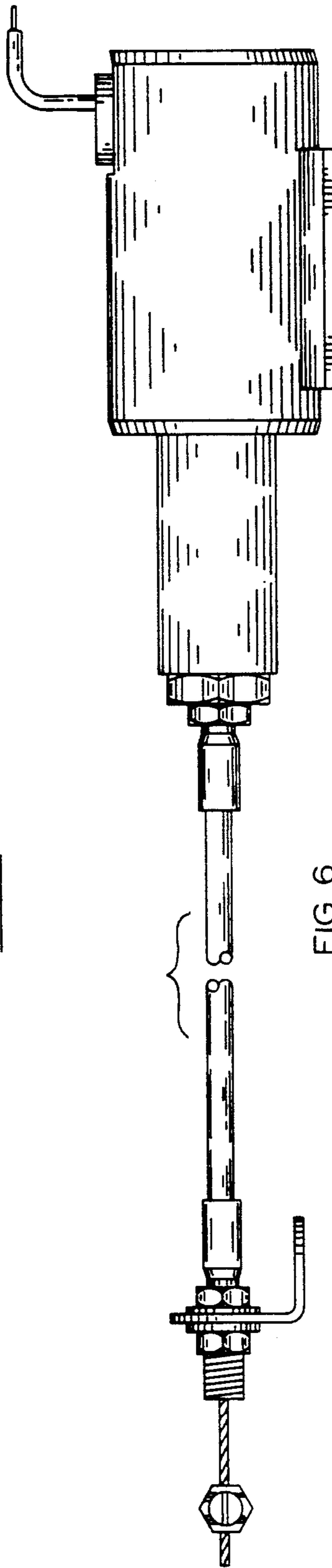


FIG. 6

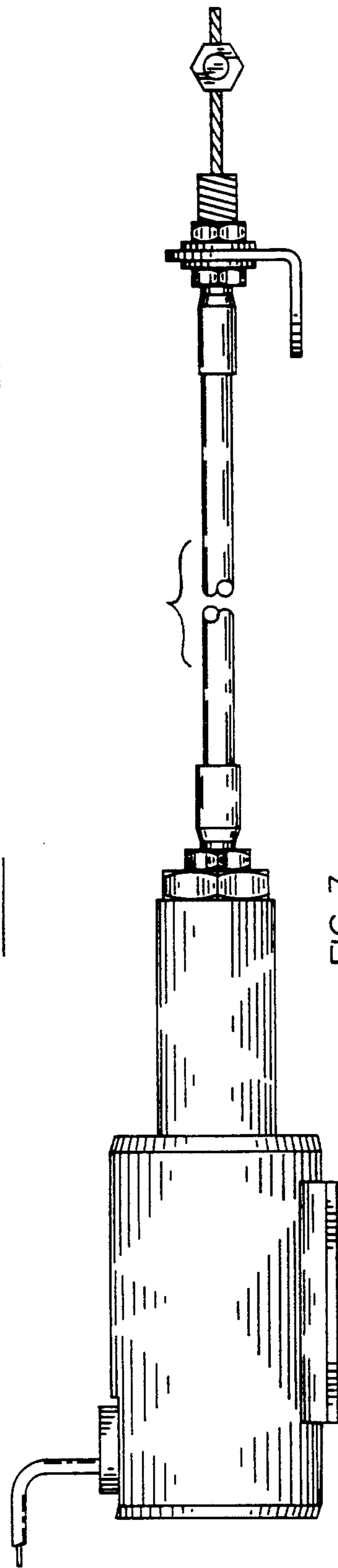


FIG. 7