



US00D342931S

United States Patent [19] Mardikian

[11] Patent Number: **Des. 342,931**
[45] Date of Patent: **** Jan. 4, 1994**

[54] **PERSONAL WATERCRAFT WITH SEAT**
[75] Inventor: **Albert Mardikian, Corona Del Mar, Calif.**
[73] Assignee: **Mardikian 1991 Irrevocable Trust, Corona Del Mar, Calif.**
[**] Term: **14 Years**
[21] Appl. No.: **927,175**
[22] Filed: **Aug. 5, 1992**
[52] U.S. Cl. **D12/307; D12/310**
[58] Field of Search **114/66.5, 285, 271, 114/56, 270; D12/300, 307, 314, 310, 311**

3,435,795 4/1969 Eckfield 114/66.5
4,961,396 10/1990 Sasagawa 114/285
5,092,260 3/1992 Mardikian 114/285

FOREIGN PATENT DOCUMENTS

61-282193 12/1986 Japan B63B 39/06

Primary Examiner—Kay H. Chin
Attorney, Agent, or Firm—Klein & Szekeres

[57] CLAIM

The ornamental design for a personal watercraft with seat, as shown and described.

DESCRIPTION

FIG. 1 is a perspective view of the personal watercraft with seat, showing my new design;
FIG. 2 is a front view;
FIG. 3 is a rear view;
FIG. 4 is a left side view, the right side view being identical therewith;
FIG. 5 is a top view; and,
FIG. 6 is a bottom view.

[56] References Cited U.S. PATENT DOCUMENTS

D. 305,638 1/1990 Mardikian D12/307
D. 307,414 4/1990 LaPointe D12/307
D. 313,001 12/1990 Mardikian D12/300
D. 325,556 4/1992 LaPointe D12/307
3,058,442 10/1962 Curtis 114/66.5

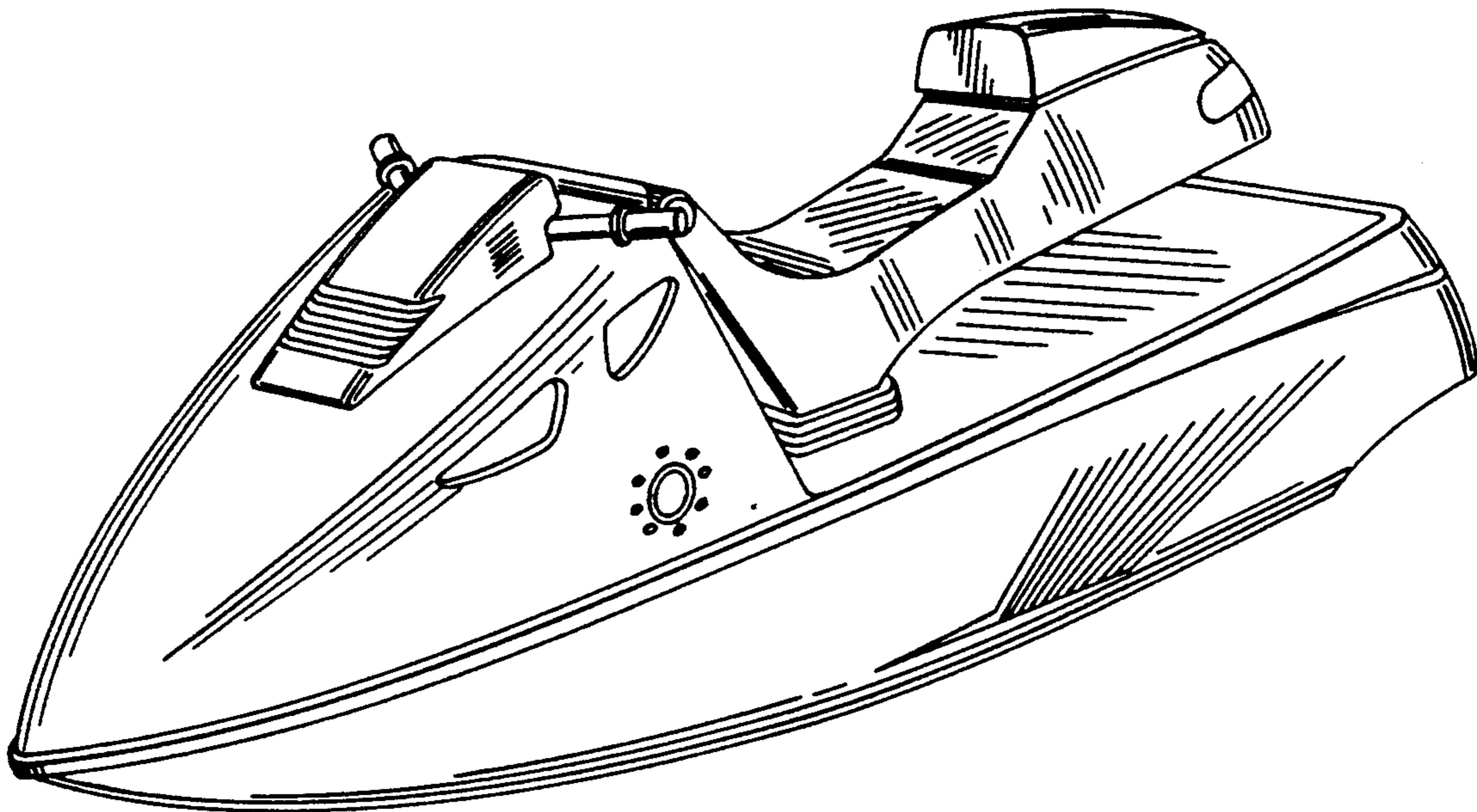


FIG. 1

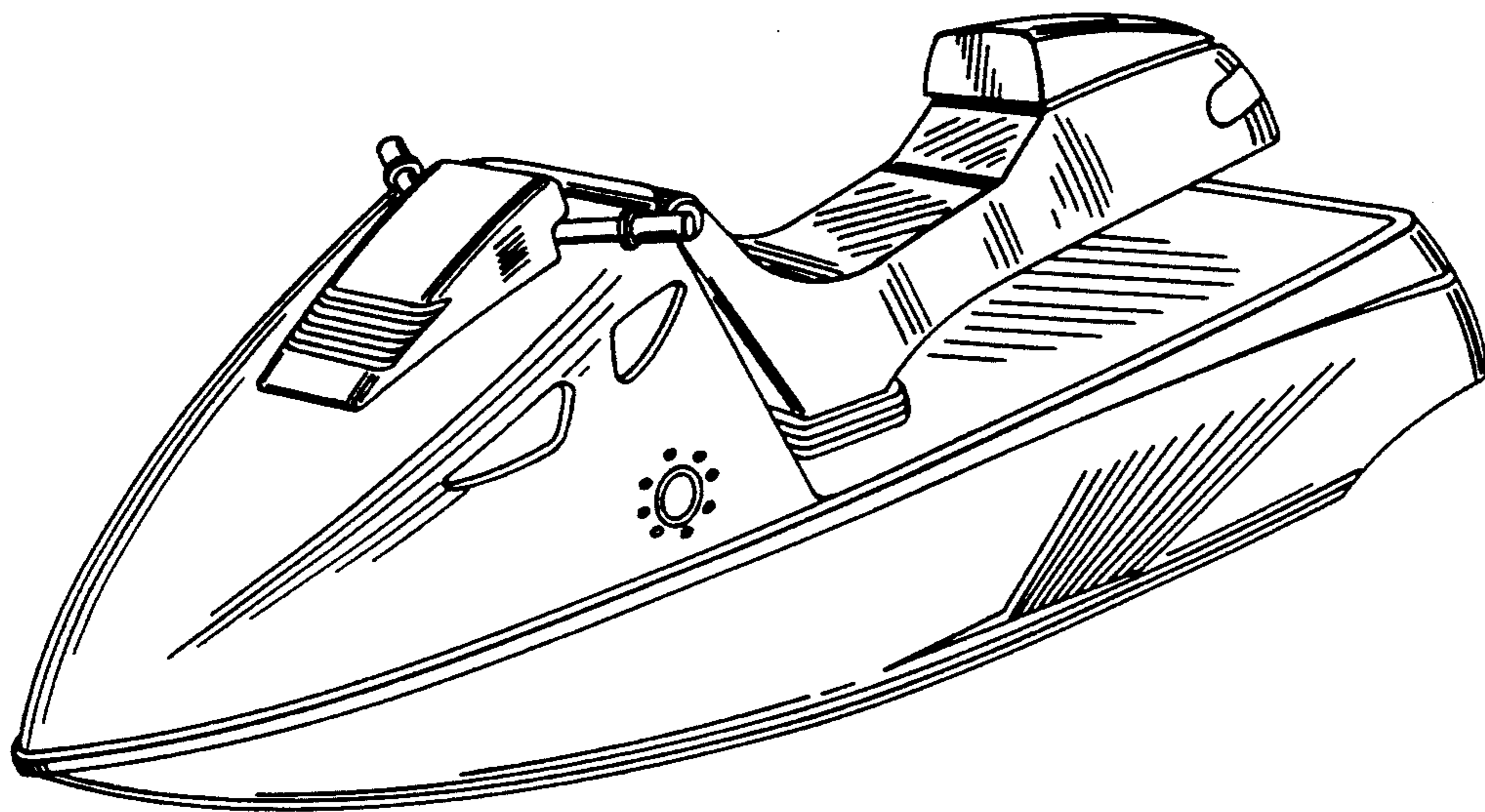


FIG. 2

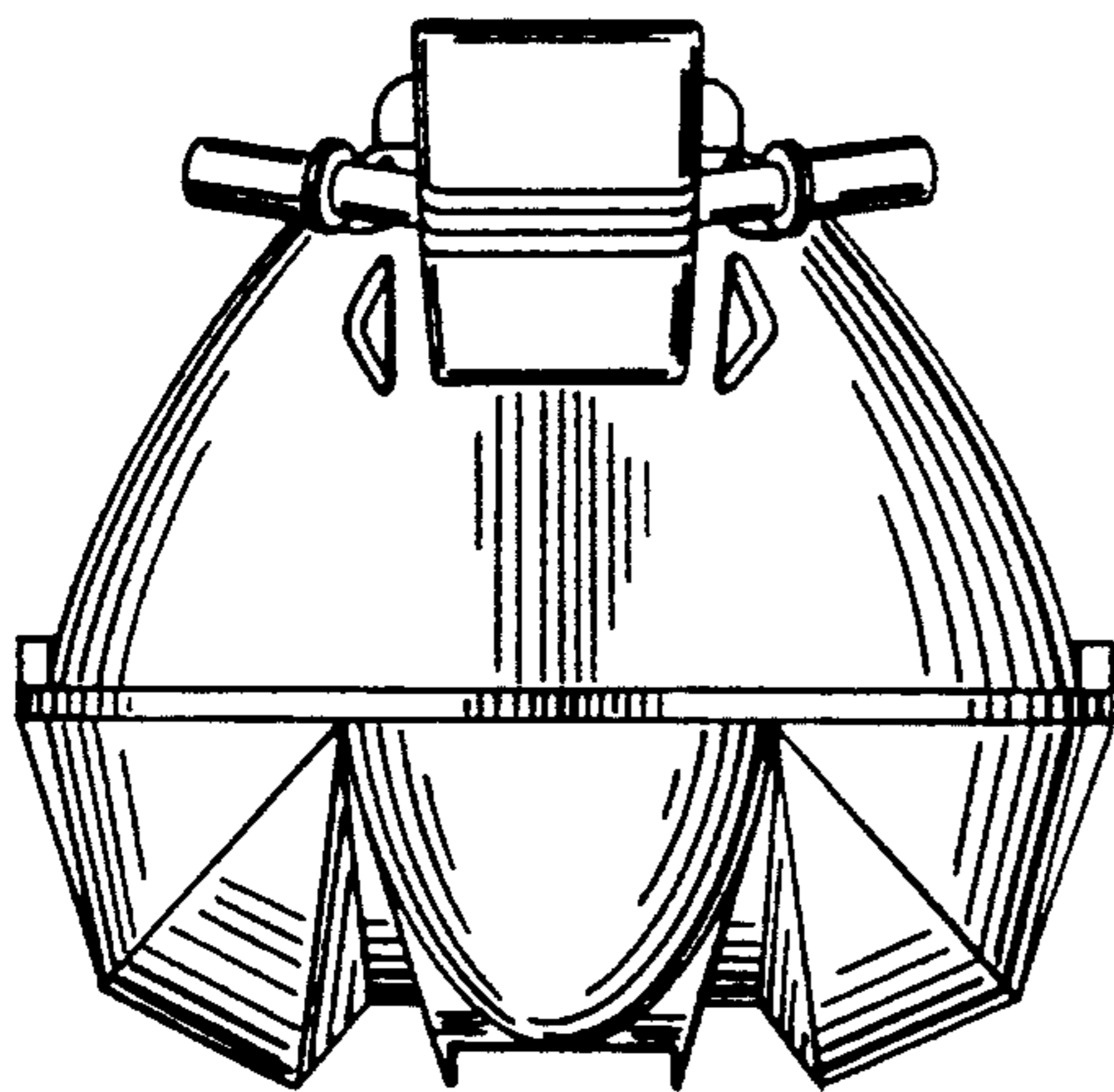


FIG. 3

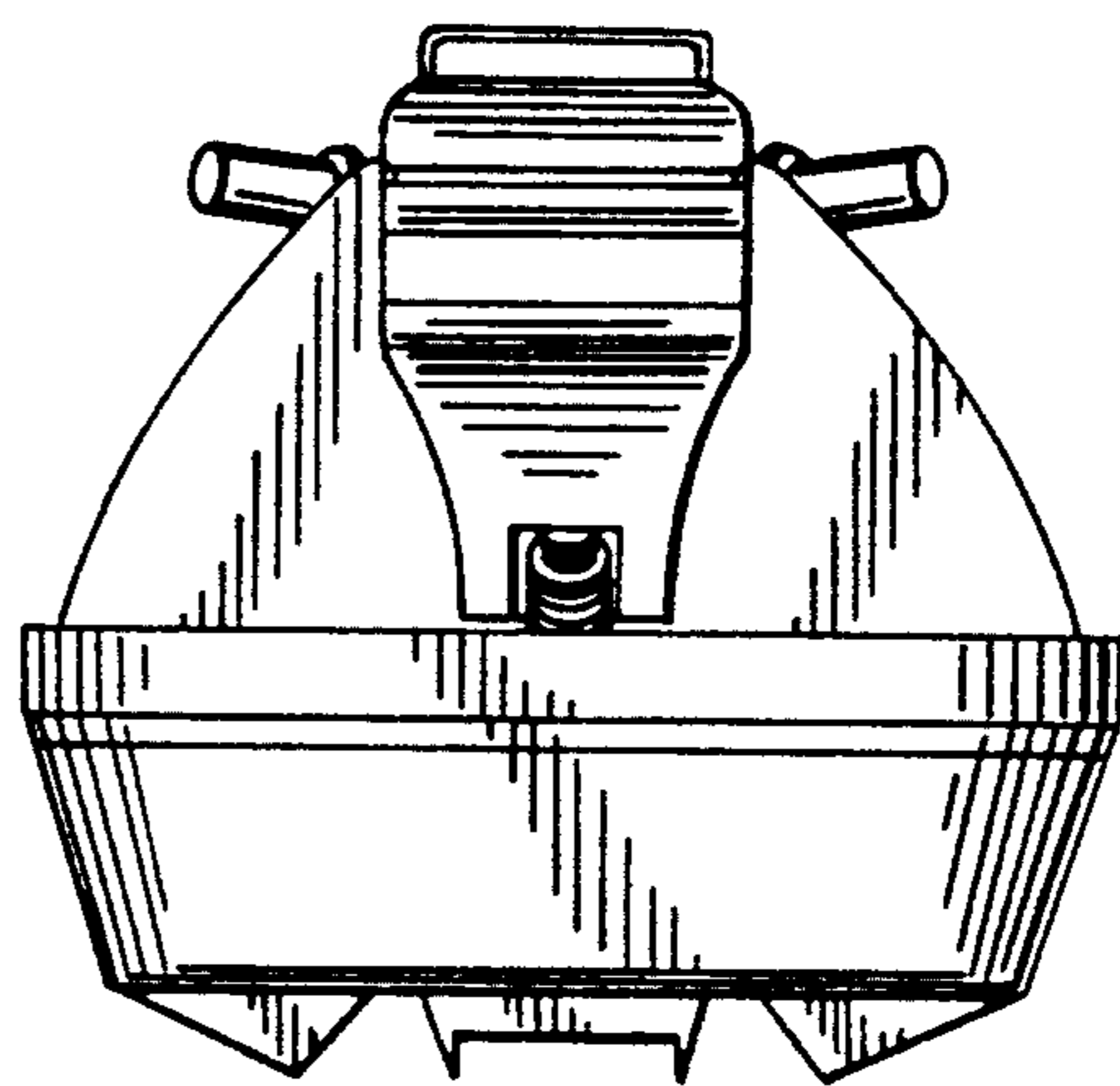


FIG. 4

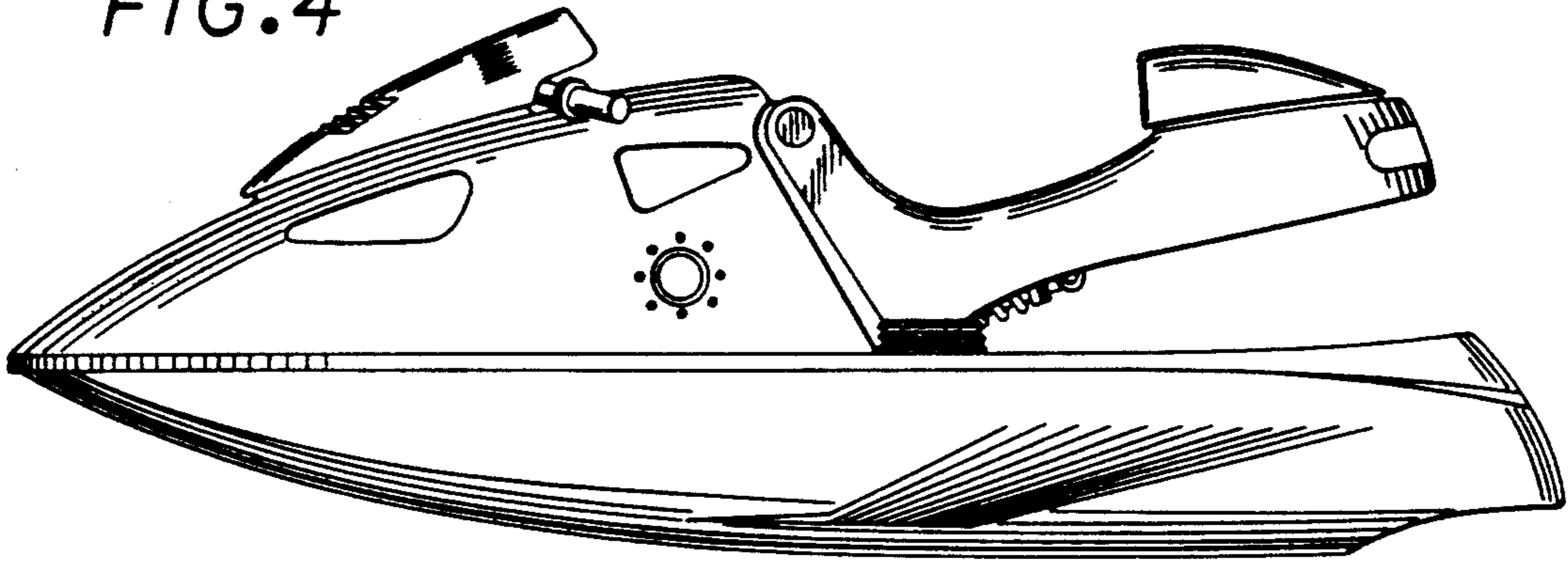


FIG. 5

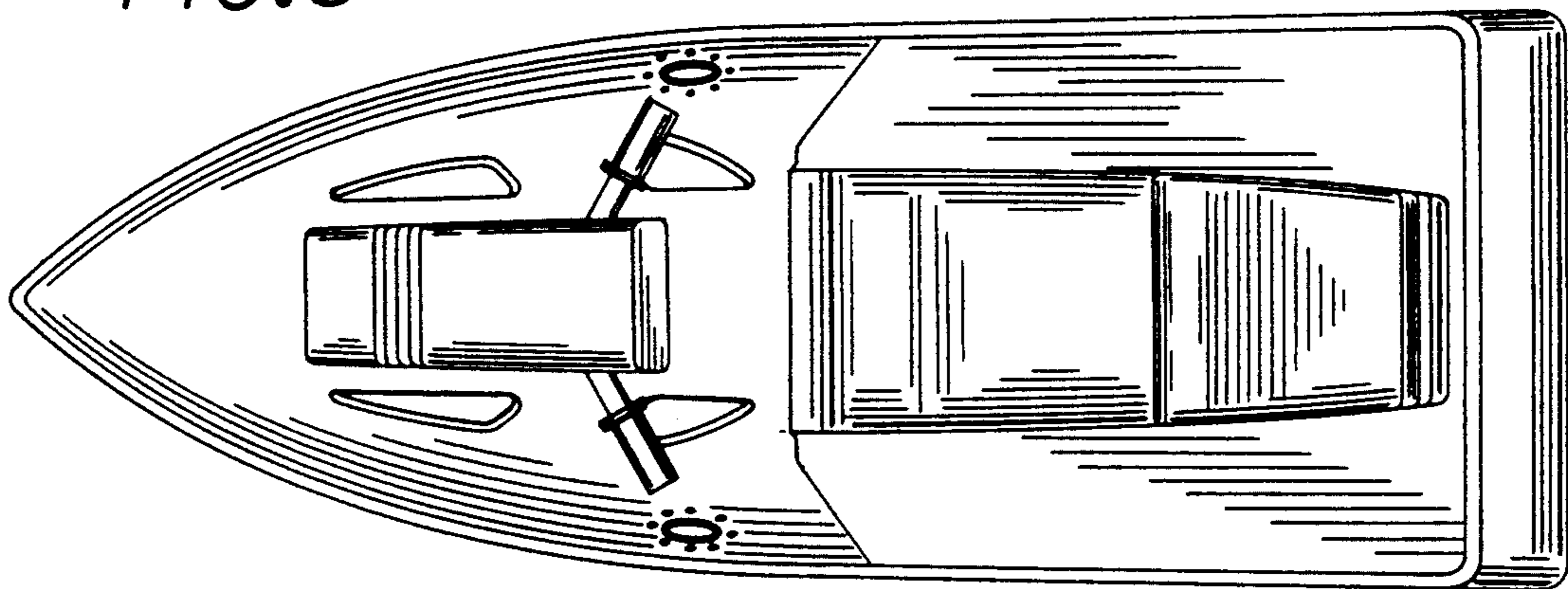


FIG. 6

